



Cartridge Valves Accessories Technical Information

CPF20-3 Cavity Filter

OPERATION

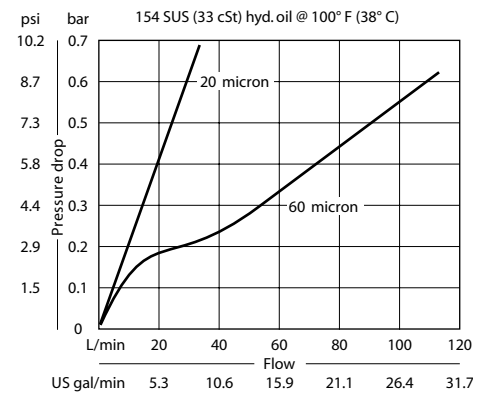
This is a filter that fits into a standard cartridge cavity (SDC20-3)

Not recommended as a substitute for hydraulic system filters.

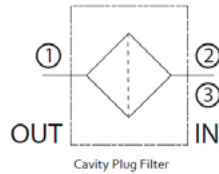
SPECIFICATIONS

Pressure rating	207 bar [3000 psi]
Nominal flow: 20 micron	38 L/min [10 gpm]
Nominal flow: 60 micron	114 L/min [30 gpm]
Weight	0.47 kg [1.04 lbs]
Cavity	SDC20-3

Performance Curve



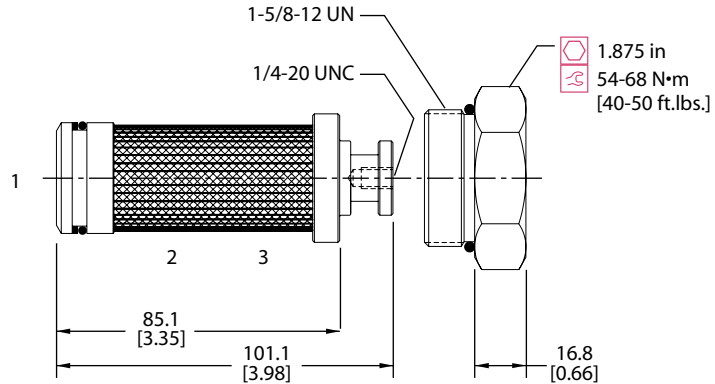
Schematic



DIMENSIONS

mm [in]

Cross section



ORDERING INFORMATION

