



### OPERATION

This is a manually operated uni-directional pump.

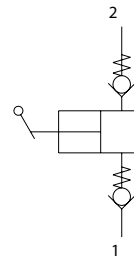
These small displacement hand pumps are used typically for piloting the operation of small hydraulic cylinders or valves. These pumps can be mounted inline using the standard housing or in custom HICs. For smooth operation, inlet lines should not be excessively long, and the vertical distance between pump and tank level no more than 300 mm (12 inch).

These pumps can work in outdoor applications if the ambient air is not contaminated by powder and dust.

### SPECIFICATIONS

Size		06	
Displacement Per Stroke	cm <sup>3</sup> [in <sup>3</sup> ]	0.94 [0.057]	
Max. pressure	bar [psi]	315 [4569]	
NCS Cavity		<b>NCS06/2</b>	
Max tightening torque	Nm [lbf-in]	40 [354]	
Weight	cartridge	kg [lb]	0.254 [0.560]
	cartridge with handle	kg [lb]	0.550 [1.213]
	with housing	kg [lb]	0.854 [1.883]

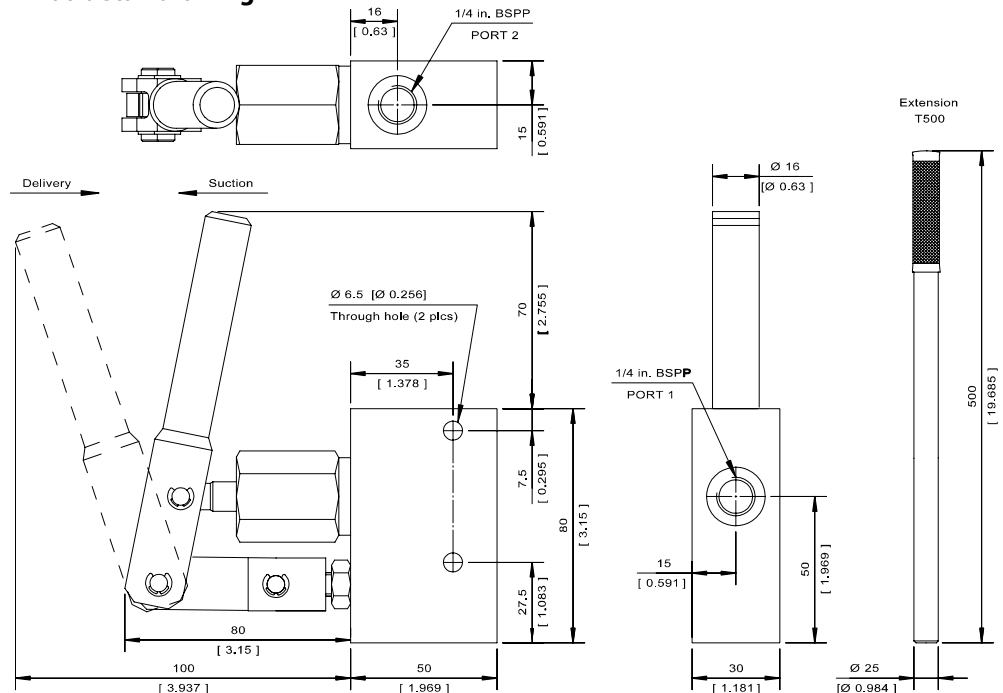
### SCHEMATIC



### DIMENSIONS

mm [in]

### MP06 detail drawing



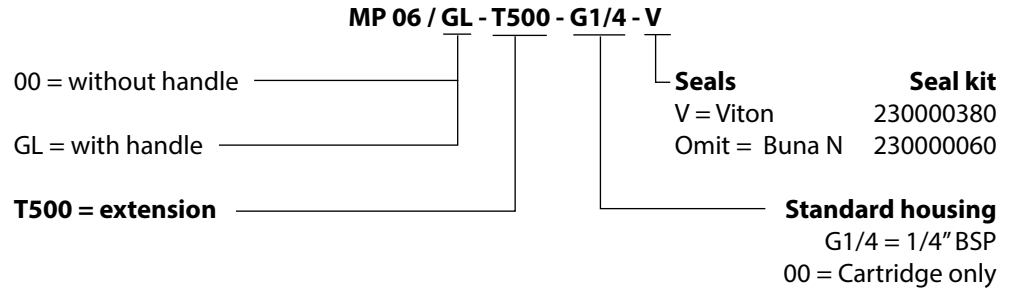


# Cartridge Valves Accessories Technical Information

## MP 06 Hand Pumps

### ORDERING INFORMATION

#### Example of designation MP 06



Housing Part #502500313