

Data Sheet

Gas detection unit

Accessory

Controller unit

Used for detecting and warning of hazardous gas concentrations in industrial refrigeration



The gas detection Controller Unit is used for a centralized monitoring and warning of hazardous gas concentrations. The input signals for the controller are collected from the local gas detection units of the types Basic, Premium and Heavy Duty via RS485 Fieldbus or Analog communication. In total 96 gas detection sensors can be handled via Fieldbus + 4 via Analog directly on the controller (+28 additional possible if expansion modules added).

The Controller Unit comes with 4 alarm relays available for external looped alarm devices. Additional relays and sensor wiring loops is possible by adding Expansion modules to the controller.

Each local gas detection unit is assigned a unique address in the Controller and by continuous communication with the individual GDU's the Controller reacts on alarm signals from the local GDU. The parameter setting and the actual state of each local GDU can be read in the Controller display.

Features

- For connection of up to 96 sensors via fieldbus + 32 via Analog“(when 7 expansion modules added)
- Easy configuration via intuitive user-interface; helps simplify operator handling and minimize risk of operational setting errors
- Simple commissioning by standard parameter configuration
- Flexible connection to local gas detection units by either Analog or RS485 fieldbus communications
- Fieldbus wiring: Wire length up to 900 meters (2953 ft.) per segment
- 4 relays for external alarm device circuits
- Up to 7 Expansion modules possible; allows additional 7 segments with a total of 7200 meters (23622 ft.) wiring and a total of 32 relays for alarm device circuits
- Automatic self-diagnostics to ensure correct communication and operation
- Relay for communication error
- 6 menu languages
- Password protected settings allowing authorized access only
- Service alerts on display
- Conformity to EN 50545-1
- Enables regulatory compliance with EN 378:2016, ISO 5149:2014

Portfolio overview

Figure 1: Gas detection Controller unit



Table 1: Portfolio overview

Description	Values
Used for product	Basic, Premium and Heavy Duty
Net weight	0.28 kg
Working temperature	-5 °C – 40 °C (23 °F – 104 °F)
Packing format	Single pack

Applications

Detecting and warning of hazardous gas concentrations in industrial refrigeration systems such as food and beverage processing areas, cold storages, and on-board ships.

Media

Refrigerants

The Danfoss Gas Detection Solution provides a high degree of flexibility when designing and building your gas detection system.

The portfolio ranges from basic to heavy duty models complemented by a range of accessories. The gas detection units (GDU) can detect a wide range of refrigerant gases including Ammonia (R717), CO₂ (R744), fluorinated refrigerants (HCFC and HFCs), and Propane (R290). They come with various sensor technologies to match the specific refrigerant, application, and safety requirements of the refrigeration system including electrochemical (EC), semiconductor (SC), Pellistor (P), and infrared sensors.

To provide a strong plug and play solution, all gas detection units come factory preconfigured to match refrigerant and typical PPM setting requirements. Depending on national regulations PPM settings may be subject to change.

New refrigerants

Danfoss products are continually evaluated for use with new refrigerants depending on market requirements.

When a refrigerant is approved for use by Danfoss, it is added to the relevant portfolio, and the R number of the refrigerant (e.g. R513A) will be added to the technical data of the code number. Therefore, products for specific refrigerants are best checked at store.danfoss.com/en/, or by contacting your local Danfoss representative.

Product specification

Design

Table 2: Design

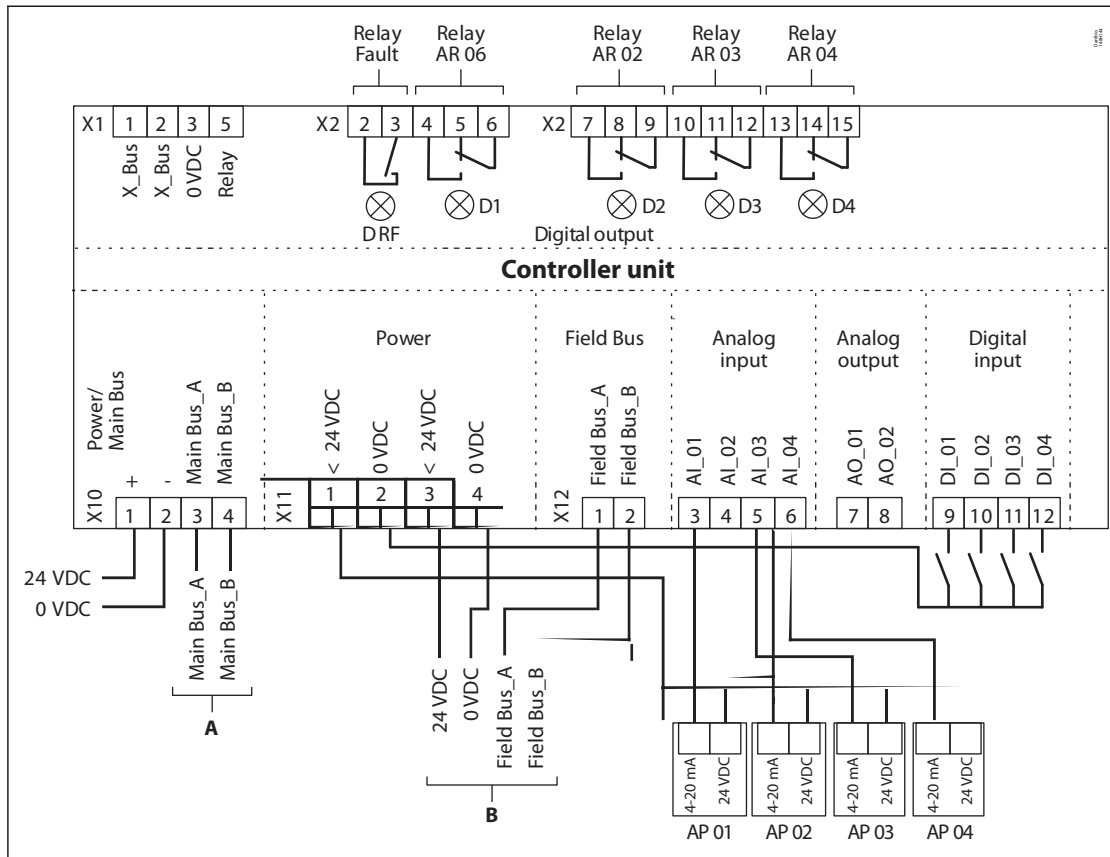
Visualization	
LCD	Two lines, 16 characters each, illuminated
Status LED (4)	Operation – fault – 1st alarm – ≥ 2nd alarm
Operation	6 push-buttons
Menu language (selectable)	German, English, Dutch, USA, French, Swedish
Interface fieldbus	
Transceiver	RS 485 / 19200 Baud
Gases	
Digital and analog sensors for toxic, combustible & refrigerant gases	
Physical	
Enclosure	Plastic housing ABS
Colour	RAL 7035
Protection class	IP 40
Weight	0.3 kg (0.8 lb.)
Packaging volumes	Ca. 4.4 l
Mounting	Top DIN rail mounting, installation in distribution box
Dimensions (Controller unit)	(W x H x D) 106 x 110 x 62 mm (4.2 x 4.3 x 2.4 in.)
Dimensions (Controller Solution)	(W x H x D) 298 x 420 x 140 mm (11.7 x 16.5 x 5.5 in.)
Wire connection:	
Power supply	Screw type terminal: 2.5 mm ² (14 AWG)
Output	2 x spring type terminal: min. 0.5 mm ² , max. 1.5 mm ² (22 to 16 AWG)
Input	Spring type: min. 0.5 mm ² , max. 1.5 mm ² (22 to 16 AWG)
Interface ModBus RTU RS 485	
Function	Transmission of current and average values, alarm and relay status, and analog output states in MODBus RTU RS 485 protocol to external devices

Environmental conditions

Table 3: Environmental conditions

Humidity	15 – 95 % RH non-condensing
Working temperature	-5 °C – 40 °C (23 °F to 104 °F)
Storage temperature	0 °C – 40 °C (32 °F to 104 °F)

Electrical connection



NOTE:

RJ45 port available on the controller.

Table 4: Electrical connection

Electrical	
Power supply	24 V DC \pm 20 %
Power consumption (24 V DC)	4 W, 150 mA
Analog input (4)	4 – 20 mA, overload and short-circuit- protected, input resistance 200 Ω
Tension for external analog transmitter	24 V DC (same as power supply), max. 100 mA / per sensor
Analog output (2) configurable for each input	Proportional, overload and short-circuit- protected, charge \leq 500 Ω 4 - 20 mA = measuring range 3.0 < 4 mA = underrange >20 – 21.2 mA = overrange 2.0 mA = fault
Alarm relay (4)	250 V AC, 5 A, potential-free, change-over (SPDT)
Fault relay (1)	250 V AC, 5 A, potential-free, normally open contact (SPST)

Fieldbus loop

Each GD controller can handle up to 96 sensors and handle any mix of individual Gas detection units of the types Basic, Premium and Heavy Duty.

The max. recommended loop wire length is 900 meter (2953 ft) per segment.

With additional segments (and additional controller expansion modules) the max recommended loop wire length is 7200 meter (23622 ft).

The controller and the last GDU in each segment must be provided with a resistor of 560 Ohm. A Umin of 16 V DC must be secured at any spot in the loop.

Below figure shows how to make proper connections between the controller and each GDU.

Figure 2: Controller unit connections

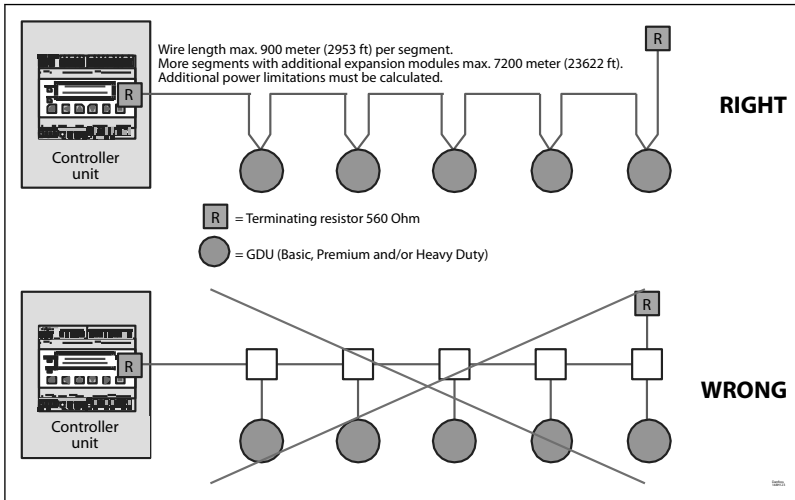
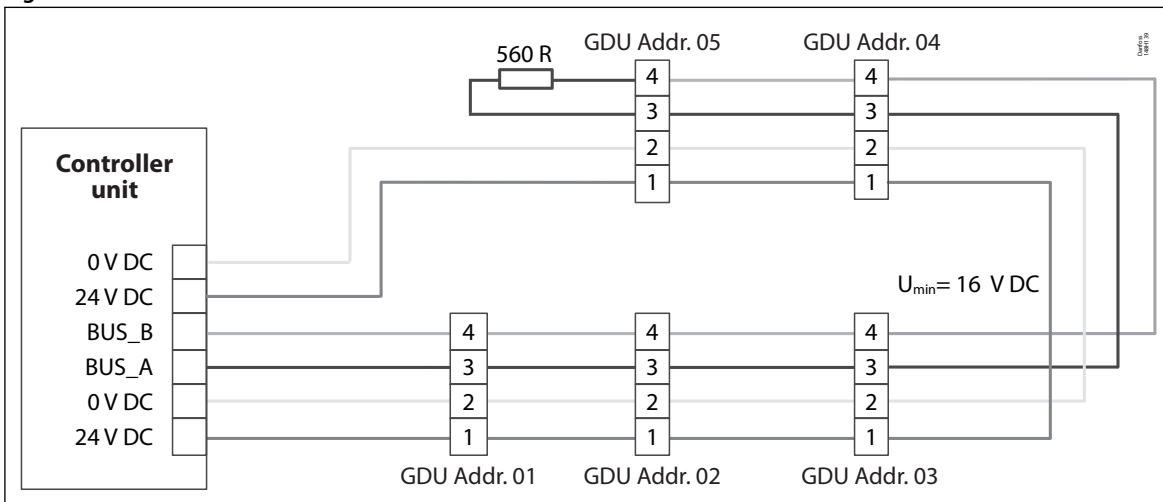


Figure 3: Connections between the controller and each GDU



Ordering

Table 5: Ordering

Description	Code number
Controller unit	148H6231
Controller solution (controller + enclosure)	148H6221
Controller solution Uptime	148H6237
Warning module (wire break monitoring module)	148H6223
Controller expansion module	148H6222
Gateway for controller	148H6228

Controller solution

Controller unit placed in an enclosure ready to be connected to a power source. A separate uptime solution with UPS for the controller is available.

Warning module (wire break monitoring module)

The warning module is used for monitoring the circuiting to the warning/alarm devices on a centrally controlled gas detection system. Wire breaks or wire interruptions in the alarm device loop will be reported to the central control.

Controller expansion module

The gas detection Controller Expansion module is used for expansion of the cable coverage in terms of number of loops and the total wire length. Each Controller Unit can handle up to 7 Expansion modules allowing additional 7 segments with a total of 7200 meters (23622 ft.) wiring and a total of 32 relays for alarm device circuits.

Gateway for controller

The gateway is an addition to the controller and used for communicating via Modbus TCP/IP.

Certificates, declarations, and approvals

The list contains all certificates, declarations, and approvals for this product type. Individual code number may have some or all of these approvals, and certain local approvals may not appear on the list.

Some approvals may change over time. You can check the most current status at danfoss.com or contact your local Danfoss representative if you have any questions.

Table 6: Compliance table

	EMC – Directive 2014/30/EU Low voltage directive 2014/35/EU EN 50545-1, EN 50271
---	--

Online support

Danfoss offers a wide range of support along with our products, including digital product information, software, mobile apps, and expert guidance. See the possibilities below.

The Danfoss Product Store



The Danfoss Product Store is your one-stop shop for everything product related—no matter where you are in the world or what area of the cooling industry you work in. Get quick access to essential information like product specs, code numbers, technical documentation, certifications, accessories, and more.

Start browsing at store.danfoss.com.

Find technical documentation



Find the technical documentation you need to get your project up and running. Get direct access to our official collection of data sheets, certificates and declarations, manuals and guides, 3D models and drawings, case stories, brochures, and much more.

Start searching now at www.danfoss.com/en/service-and-support/documentation.

Danfoss Learning



Danfoss Learning is a free online learning platform. It features courses and materials specifically designed to help engineers, installers, service technicians, and wholesalers better understand the products, applications, industry topics, and trends that will help you do your job better.

Create your Danfoss Learning account for free at www.danfoss.com/en/service-and-support/learning.

Get local information and support



Local Danfoss websites are the main sources for help and information about our company and products. Find product availability, get the latest regional news, or connect with a nearby expert—all in your own language.

Find your local Danfoss website here: www.danfoss.com/en/choose-region.

Spare Parts



Get access to the Danfoss spare parts and service kit catalog right from your smartphone. The app contains a wide range of components for air conditioning and refrigeration applications, such as valves, strainers, pressure switches, and sensors.

Download the Spare Parts app for free at www.danfoss.com/en/service-and-support/downloads.