





ECtemp Touch

ECtemp Touch is an intuitive programmable timer thermostat used for controlling electrical floor heating elements. The thermostat is designed for fixed installation only and due to the special designed 2-part construction it fits a wide range of frames and sensors.

ECtemp Touch is fast and intuitive to setup using the built-in wizard. It has an energy-saving program – including an optimum start/end control ensuring the desired temperature at the correct time and thereby reducing the heating costs.

Product specifications

Benefits <ul style="list-style-type: none"> • Big 2" touch screen • Built-in setup wizard • Easy and intuitive functionalities • Adaptive PWM function • Fits several single and multiple frames • Fits several competitor NTC sensors • Optional code setup • Easy online troubleshooting Approvals:  Standard compliance <ul style="list-style-type: none"> • EN/IEC 60730-1 (general) • EN/IEC 60730-2-9 (thermostat) 	Operation voltage	220 - 240 V~, 50/60 Hz
	Standby power consumption	Max. 0,40 W
	Relay: Resistive load Inductive load	16 A (3680 W) @ 230 V Max. 1 A, Cos Φ = 0,3
	Sensing unit	NTC 15 kΩ @ 25 °C, 3 m. (default), NTC 6,8 kΩ @ 25 °C, NTC 10 kΩ @ 25 °C, NTC 12 kΩ @ 25 °C, NTC 33 kΩ @ 25 °C, NTC 47 kΩ @ 25 °C
	Regulation	PWM - Pulse Width Modulation
	Ambient temperature	0 °C to 30 °C
	Frost protection	5 °C to 9 °C (default 5 °C)
	Floor temperature limit	Max. 20 °C to 35 °C (45 °C) Min. 10 °C to 35 °C (45 °C)
	Temperature range	5 °C to 35 °C (room) 5 °C to 45 °C (floor)
	Storage temperature	-20 °C to 65 °C
	Cable specification max.	1 x 4 mm ² or 2 x 2,5 mm ²
	Ball pressure test temperature	75 °C
	Pollution degree	2 (domestic use)
	Controller type	1 C
	Software class	A
	IP class	21
	Protection class	Class II - 
	Dimensions (H/W/D)	85 x 85 x 20-24 mm (in-wall depth: 22 mm)
	Weight	115 g

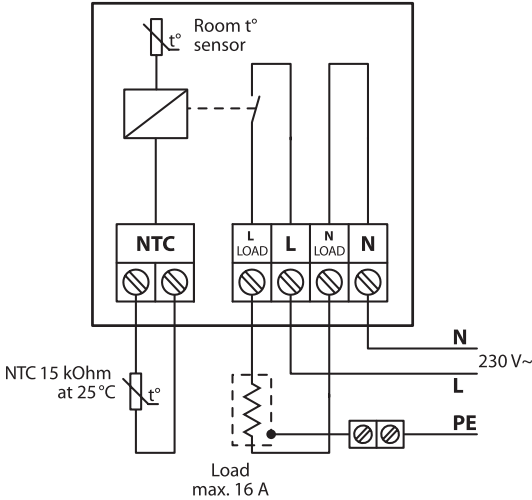
Types

Item no.	Product name	Type	Language	EAN no.
088L0122	ECtemp Touch	Pure white, RAL 9010	1	5703466235485
088L0128	ECtemp Touch	Pure white, RAL 9010	2	5703466241783

1 - Contains languages: Bulgarian, Czech, Danish, English, Estonian, Finnish, French, German, Latvian, Lithuanian, Norwegian, Polish, Romanian, Russian, Slovenian, Slovak, Swedish, Ukrainian.

2 - Contains languages: Chinese, Croatian, Dutch, English, Hungarian, Italian, Portuguese, Serbian, Spanish, Turkish.

Connection scheme



Pure White