





ECtemp 610

The ECtemp 610 is an electronic IP 44, 10 Amps thermostat, suitable for many different purposes both indoor and outdoor applications. It is provided with a 2-pole switch and a wire sensor to control the desired temperature.

The thermostat has a button for adjusting the temperature setting with a scale from -10° to +50°C, and a LED indicating the current mode (heating, standby or fault).

It is water resistant and can be mounted on any plain surface indoor or outdoor.

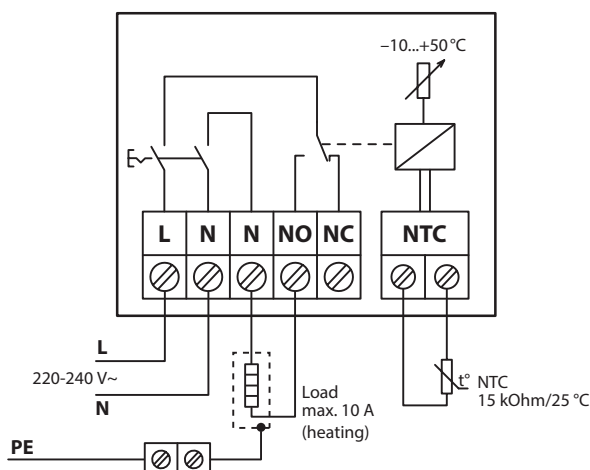
Product specifications

Benefits <ul style="list-style-type: none"> • ON/OFF switch • Terminals for NO/NC connection • LED indicator • Mounts directly onto plain surfaces • Low energy consumption • IP44 Approvals:  Intertek	Operation voltage	220 V- 240 V~, 50/60 Hz
	Standby power consumption	max. 0.93 W
	Relay:	
	Resistive load	Max 10A / 2300W @ 230V
	Inductive load	Cos Φ = 0.3 max. 1A
	Sensing unit	NTC 15 kOhm at 25°C
	Hysteresis	$\pm 0.2^\circ\text{C}$
	Ambient temperature	-30°C. to +55°C
	Temperature range	-10°C to +50°C
	Cable specification max	1 x 4 mm ² or 2 x 2,5 mm ²
	Ball pressure test temperature	75°C
	Pollution degree	2 (domestic use)
	Controller type	1 C
	Storage temperature	-20°C to +65°C
	IP class	IP 44
	Protection class	Class II - 
	Dimensions (H/W/D)	100 mm x 69.5 mm x 45 mm
	Weight	165 g

Types

Item no.	Product name	Type	EAN no.
088L0448	ECtemp 610	Temp. range -10°C/+50°C incl. wire sensors	5703466130384

Thermostat connection scheme



IMPORTANT: When the thermostat is used to control a floor heating element in connection with a wooden floor or similar material, always use a floor sensor and never set the maximum floor temperature to more than 35°C.

