

Installation guide

ELIMINATOR® Hermetic bi-flow filter drier
Types DMB and DCB

023R9532

023R9532

Refrigerants:

R134a, R404A, R407C, R507, R22, R410A and other refrigerants (HCFC, HFC, HFO, HC)

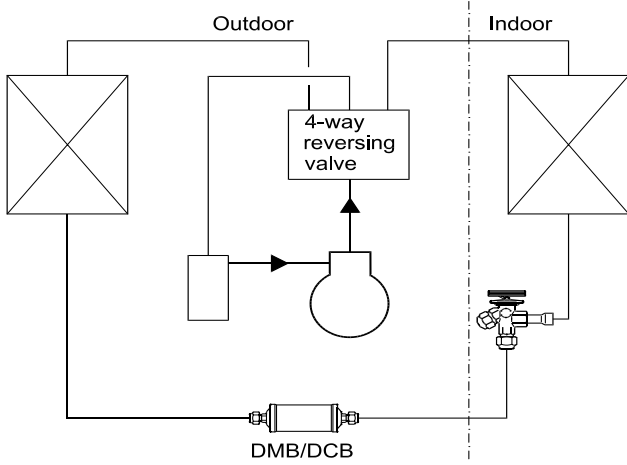
Temperature range:

-40 – 70 °C
-40 – 160 °F

Max. working pressure:

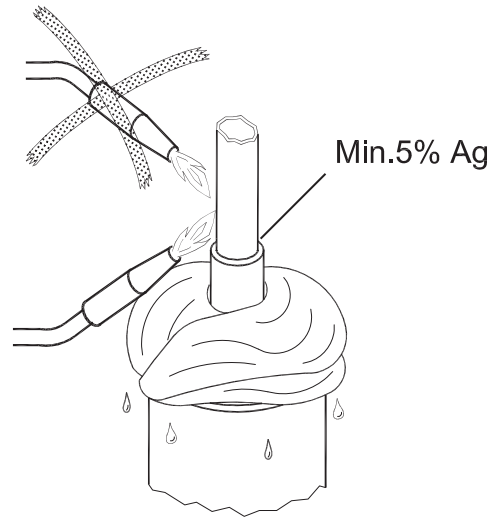
PS / MWP = 46 bar / 667 psig

Installation



Danfoss
A23U147.10

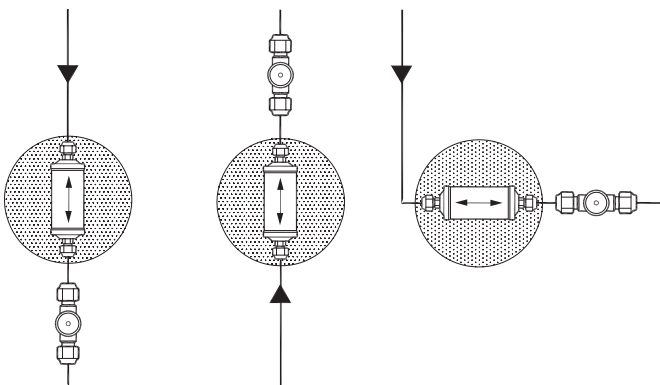
Soldering



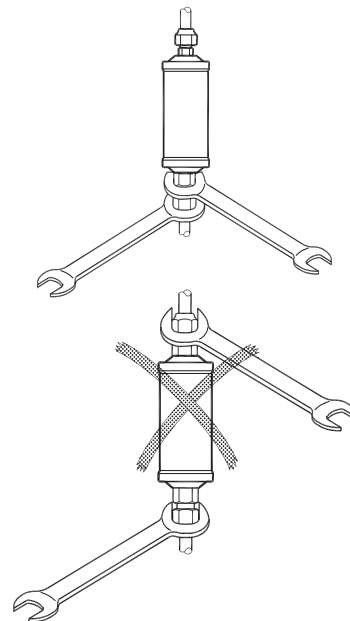
After charging, mark the system with the refrigerant and the oil used.

Danfoss
23Z7016.10

Mounting



Danfoss
23Z7015.10



Danfoss
23Z7013.10

Danfoss
23Z7014.10