

European Catalogue

Optyma™ Packaged condensing units

R452A, R134a, R513A, R448A, R449A, R407A, R407F, R404A/R507, R744, R454C, R455A, R1234yf - 50 Hz



Danfoss Optyma™ packaged condensing units 4	Optyma™ Plus INVERTER 94
Optyma™ Slim Pack 6	Performance data 95
Performance data 7	R448A/R449A MBP 95
R452A LBP 7	R404A MBP 96
R404A/R507 LBP 9	Technical data 97
R455A LBP 11	Spare parts & accessories - MBP 97
R454C LBP 12	Spare parts & accessories list..... 98
R134a MBP 13	Dimensions 99
R513A MBP 16	Housing spare parts 99
R448A MBP 19	Optyma™ iCO₂ 100
R449A MBP 21	Performance data 101
R452A MBP 24	R744 MBP 101
R404A/R507 MBP 27	Technical data 102
R455A MBP 30	
R454C MBP 31	
R1234yf MBP 32	
Technical data 33	
Spare parts & accessories - LBP 35	
Spare parts & accessories - MBP 38	
Spare parts & accessories list..... 43	
Dimensions 46	
Housing spare parts 48	
Optyma™ Plus 50	
Performance data 51	
R452A LBP 51	
R404A/R507 LBP 53	
R448A/R449A LBP 55	
R455A LBP 56	
R454C LBP 57	
R134a MBP 58	
R513A MBP 60	
R1234yf MBP 62	
R448A MBP 63	
R449A MBP 65	
R452A MBP 68	
R404A/R507 MBP 71	
R455A MBP 74	
R454C MBP 75	
Technical data 76	
Spare parts & accessories - LBP 78	
Spare parts & accessories - MBP 81	
Spare parts & accessories list..... 86	
Dimensions 90	
Housing spare parts 92	

Danfoss Optyma™ packaged condensing units

Highly efficient and reliable plug and play condensing units designed with the contractor and end-user in mind, and providing unique benefits.



Benefits for the contractor

- Simple and fast selection and installation, reduced maintenance time
- Models compatible with multiple lower GWP refrigerants
- Reduced refrigerant costs thanks to microchannel condenser inside



Benefits for the end-user

- Higher food safety and longer products shelf life
- Units suitable for residential areas thanks to low sound level operation
- Reduced life cycle costs of refrigeration equipment thanks to highly efficient units

Optyma™ Slim Pack (W05)



Compact and cost effective.
With microchannel condenser



Optyma™ Slim Pack (W09)



Cost effective and efficient.
W05 base + fan speed controller and main switch



 Multi-refrigerants A1+A2L

Optyma™ Plus (P00)




Reliability & connectivity to the cloud.
With electronic controller



Optyma™ with Liquid Injection (P02)

P00 base + Liquid injection feature with electronic expansion valve and dedicated electronic controller.



 Multi-refrigerants A1+A2L

Optyma™ Plus INVERTER (P01)



Unmatched efficiency for high energy savings.
With variable speed drive



Optyma™ iCO₂ (P04)



Intelligent and sustainable.
With CO₂ refrigerant

MBP and LBP applications



- ✓ Cold rooms, display cabinets in convenience stores, mini-markets, restaurants, fisheries, butcheries, bakeries, florists, laboratories
- ✓ Wine cellars
- ✓ Milk cooling
- ✓ Industrial processes
- ✓ Dairy and general food storage

Designation

OP - MSXM034 ML W05 G

OP = Optyma™

1 2 3 4 5 6 7 8

1	Application: M = MBP ; L = LBP
2	Condensing unit family: S = Slim Pack / P = OP Plus and OP Plus INVERTER
3	Refrigerant: A = R744; B = R404A/R507, R449A, R452A; G = R134a, R513A; H = R404A/R507; O = R452A, R404A/R507, R448A, R449A; P = R448A/R449A, R407A/F, R404A/R507; Q = R452A, R404A/R507; S = R134a, R513A, R1234yf; T = R404A/R507, R455A, R454C, R448A/R449A, R452A; V = R454C, R455A, R452A, R404A/R507; X = R404A/R507, R134a, R407A, R407F, R448A, R513A, R449A, R452A ; Y = R404A/R507, R449A;
4	M = Microchannel heat condenser
5	Displacement in cm ³ Example 034 = 34 cm ³
6	Compressor platform (such as VVL = variable speed scroll VLZ) DX/DP/DS/DY/SC and CS = Fixed Recip Compressor
7	Version: W05/W09 : Optyma™ Slim Pack P00 : Optyma™ Plus P01 : Optyma™ Plus INVERTER P02 : Optyma™ Plus with Liquid Injection P04 : Optyma™ iCO ₂
8	Electrical code: G = 230V/1-phase compressor & fan E = 400V/3-phase compressor & 230V/1-phase fan

Feature overview:

	Optyma™ Slim Pack		Optyma™ Plus		Optyma™ Plus INVERTER	Optyma™ iCO ₂
	(W05)	(W09)	(P00)	(P02)	(P01)	(P04)
IP level	IP54		IP54		IP54	IP54
Compressor technology	Scroll/Reciprocating		Scroll/Reciprocating	Scroll	Variable speed scroll	Variable speed scroll
Control box (pre-wired E-panel)	yes		yes		yes	yes
Microchannel condenser	yes		yes		yes	yes
Fan speed controller	-	yes	yes		yes	yes
Main switch (circuit breaker)	-	yes	yes		yes	yes
Filter drier (flare connections)	yes		yes		yes	yes (brazed)
Sight glass	yes		yes		yes	yes
Crankcase heater	yes		yes		yes	yes
HP/LP adjustable pressostat	Auto/Manual reset mode		Electronic		Electronic	Electronic
Fail safe mini-pressostat	-		Mechanical		Mechanical	Mechanical
Access door(s)	-		yes		yes	yes
Acoustic insulation	-		yes		yes	yes
Condensing unit electronic controller	-		yes		yes	yes
Network connectivity	-		yes		yes	yes
Stack mounting	-		yes		-	yes
Oil separator	-		-		yes	yes
Discharge gas thermostat	yes*		yes		yes	yes
HP/LP Alarm	yes*		yes		yes	yes
Liquid injection kit	-		-	yes	-	-
Net weight in kg	B1 housing: from 50.4 to 53 B2 housing: from 61.5 to 77 B3 housing: from 76 to 79		H1 housing: from 49 to 53 H2 housing: from 80 to 94 H3 housing: from 101 to 107 H4 housing: 169	H3 housing: from 135 and 136 H4 housing: 161 and 166	124 & 125	116
Dimensions in mm (height x width x depth)	B1 housing: 530 x 910 x 364 B2 housing: 690 x 1079 X464 B3 housing: 825 x 1105 x 464		H1 housing: 605 X 941 X 406 H2 housing: 813 X 1090 X 480 H3 housing: 965 X 1441 X 531 H4 housing: 966 X 1835 X 650	H3 housing: 965 X 1441 X 531 H4 housing: 966 X 1835 X 650	965 x 1406 x 481	835 x 1340 x 500

* Not premounted, provision available

Overview by range and refrigerant:

Min / Max Cooling capacity range [kW]	Optyma™ Slim Pack	Optyma™ Plus	Optyma™ with Liquid injection	Optyma™ Plus INVERTER	Optyma™ iCO ₂
Medium temperature (MBP)					
R744	-	-	-	-	4.6
R448A/R449A	0.8 - 11.0	0.8 - 16.2	-	5.9 - 9.1	-
R134a	0.6 - 6.6	1.3 - 10.2	-	-	-
R513A	0.6 - 7.0	1.3 - 10.3	-	-	-
R452A	0.8 - 10.8	0.8 - 16.1	-	-	-
R404A/507	0.8 - 10.3	0.8 - 16.1	-	6.0 - 9.1	-
R455A	0.8 - 2.9	0.8 - 2.9	-	-	-
R454C	0.7 - 2.4	0.7 - 2.4	-	-	-
R1234yf	0.6 - 1.4	1.2 - 1.4	-	-	-
Low temperature (LBP)					
R448A/R449A	-	-	2.5 - 6.6	-	-
R452A	0.3 - 3.4	0.4 - 1.7	2.4 - 6.3	-	-
R404A/507	0.4 - 3.6	0.4 - 1.7	2.6 - 5.8	-	-
R455A	0.3 - 1.4	0.3 - 1.4	-	-	-
R454C	0.3 - 1.2	0.3 - 1.2	-	-	-

Rating conditions EN 13215 (Mid point):

MBP: Ambient temp = 32°C, Evap temp = -10°C, Superheat = 10K, Subcooling = 0K / **LBP:** Ambient temp = 32°C, Evap temp = -35°C, Superheat = 10K, Subcooling = 0K

Optyma™ Slim Pack

Light on refrigerant, heavy on efficiency

Get it all with Optyma™ **Slim Pack**. It combines quiet operation and more value for money with an energy-efficient and compact solution.



Quick and safe installation and service

Same serviceable units, upgraded for A2L refrigerants. Ignition proof tested in TÜV laboratory.



High SEPR*

All models in the range are highly efficient and well above EcoDesign 2018 thresholds, contributing to a reduction in energy costs.
*SEPR: Seasonal Energy Performance Ratio.



A2L

Multi-refrigerants units for complexity reduction, available with new code numbers. Go A2L for a sustainable compliant choice.



Suitable for residential areas

It operates up to 7 dB(A) lower than other packaged units of the same capacity and the fan-speed controller further reduces the sound level by up to 4 dB(A).

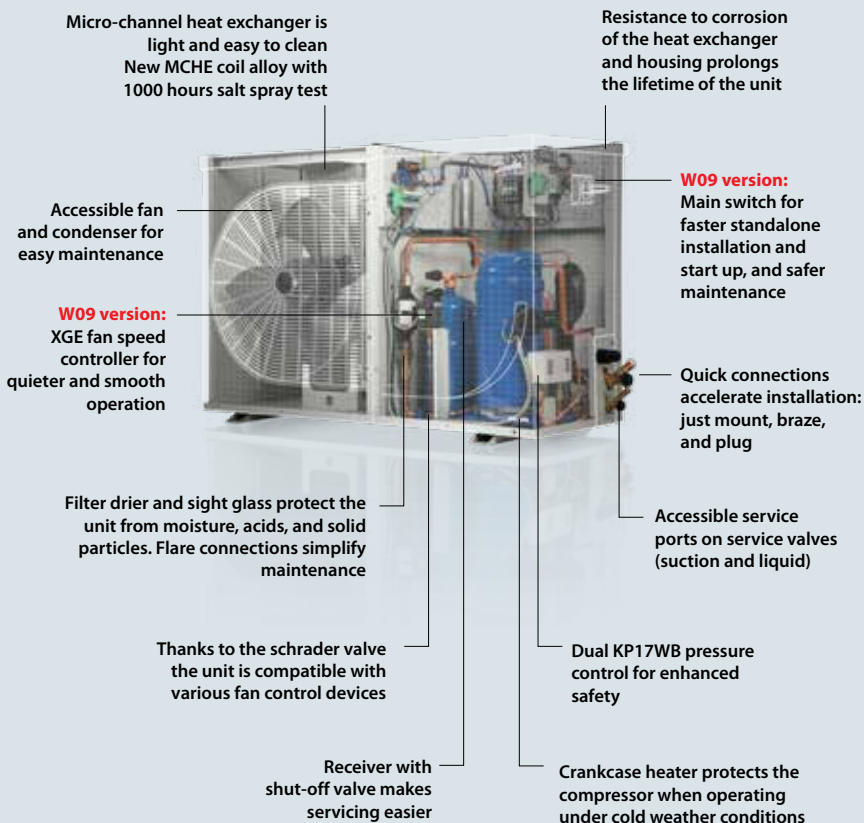


Optimized footprint for floor and wall mounting

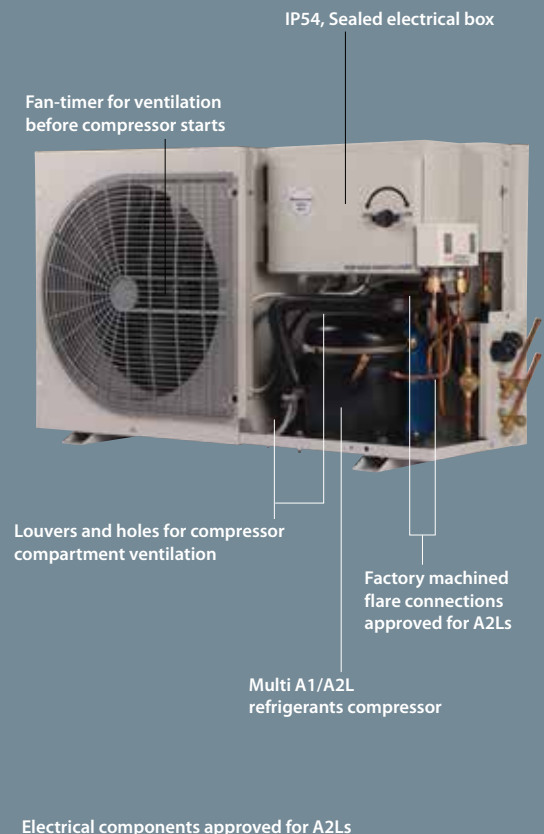
Thanks to its slim design and low weight, it is easy to transport and handle during installation – particularly for wall mounting.



Standard range (W05 and W09)



Multi refrigerant range (W05)



Model	Code	Version	Refrigerant class	Electrical code (1)	Tamb [°C]	Cooling capacity Q [kW] (2)							EcoDesign (3)		Min Fuse rating g _L /g (A)	Sound pressure level @ 10m dB(A)
						Evaporating Temperature (Mid point) [°C]							COP	SEPR		
						-40°C	-35°C	-30°C	-25°C	-20°C	-15°C	-10°C				
OP-LSQM014MP	114X7106 114X7129	W05 W09	A1	G	27	-	0.44	0.56	0.68	0.81	0.95	-	0.98	-	10	32
					32	-	0.39	0.50	0.61	0.73	0.86	-				
					38	-	0.34	0.43	0.53	0.64	0.76	-				
					43	-	0.30	0.38	0.47	0.57	0.67	-				
OP-LSVM014DP	114X7263	W05	A1 + A2L	G	27	0.33	0.44	0.55	0.67	0.80	0.93	1.07	0.98	-	10	31
					32	0.30	0.39	0.49	0.60	0.72	0.84	0.97				
					38	-	0.34	0.43	0.52	0.63	0.74	0.86				
					43	-	0.29	0.37	0.46	0.55	0.65	0.76				
OP-LSQM018MP	114X7107 114X7130	W05 W09	A1	G	27	-	0.47	0.61	0.76	0.93	1.11	-	0.98	-	10	32
					32	-	0.42	0.55	0.69	0.84	1.01	-				
					38	-	0.36	0.47	0.60	0.74	0.89	-				
					43	-	0.31	0.41	0.52	0.65	0.79	-				
OP-LSVM016DP	114X7242	W05	A1 + A2L	G	27	0.34	0.48	0.62	0.78	0.95	1.14	1.33	0.97	-	10	32
					32	0.30	0.42	0.56	0.70	0.86	1.03	1.21				
					38	-	0.36	0.48	0.61	0.75	0.90	1.07				
					43	-	0.31	0.41	0.53	0.66	0.80	0.95				
OP-LSQM026AJ	114X7085 114X7179	W05 W09	A1	G	27	0.50	0.70	0.93	1.20	1.52	1.8	-	0.99	-	10	36
					32	0.44	0.61	0.83	1.08	1.38	1.72	-				
					38	0.36	0.52	0.71	0.94	1.21	1.52	-				
					43	-	0.44	0.62	0.82	1.06	1.34	-				
OP-LSVM026DS	114X7227	W05	A1 + A2L	G	27	0.48	0.69	0.94	1.22	1.53	1.88	2.26	0.97	-	10	38
					32	0.43	0.62	0.85	1.12	1.41	1.74	2.10				
					38	-	0.55	0.75	0.99	1.26	1.57	1.91				
					43	-	0.49	0.67	0.89	1.14	1.43	1.75				
OP-LSQM034AJ	114X7086 114X7180	W05 W09	A1	G	27	0.66	0.91	1.20	1.55	1.96	2.44	-	0.98	-	10	37
					32	0.58	0.81	1.08	1.40	1.78	2.23	-				
					38	0.49	0.69	0.93	1.22	1.57	1.97	-				
					43	-	0.59	0.81	1.07	1.39	1.76	-				
OP-LSVM034DS	114X7228	W05	A1 + A2L	G	27	0.65	0.93	1.25	1.62	2.02	2.46	2.93	1.01	-	10	38
					32	0.59	0.85	1.14	1.48	1.85	2.27	2.72				
					38	-	0.74	1.01	1.31	1.66	2.04	2.46				
					43	-	0.66	0.90	1.17	1.49	1.85	2.24				
OP-LSQM048NT	114X7087 114X7181	W05 W09	A1	G	27	0.82	1.15	1.55	2.00	2.53	3.11	-	1.18	-	10	40
					32	0.70	1.00	1.37	1.78	2.26	2.79	-				
					38	0.57	0.84	1.16	1.53	1.96	2.43	-				
					43	0.47	0.71	1.00	1.33	1.719	2.13	-				
OP-LSQM048NT	114X7088 114X7182	W05 W09	A1	E	27	0.79	1.11	1.50	1.92	2.41	2.93	-	1.12	-	10	40
					32	0.68	0.98	1.33	1.72	2.16	2.63	-				
					38	0.54	0.82	1.14	1.48	1.87	2.28	-				
					43	0.42	0.68	0.97	1.28	1.62	1.99	-				
OP-LSQM074FH	114X7095 114X7185	W05 W09	A1	G	27	1.14	1.60	2.16	2.78	3.49	4.29	-	0.98	-	10	44
					32	0.96	1.40	1.91	2.49	3.16	3.90	-				
					38	0.75	1.15	1.62	2.15	2.76	3.43	-				
					43	-	0.95	1.38	1.86	2.42	3.04	-				
OP-LSQM074FH	114X7096 114X7186	W05 W09	A1	E	27	1.07	1.50	2.01	2.56	3.19	3.86	-	1.01	-	10	44
					32	0.91	1.30	1.76	2.28	2.86	3.48	-				
					38	0.72	1.07	1.49	1.95	2.47	3.03	-				
					43	-	0.90	1.27	1.68	2.15	2.66	-				

LBP

(1) G - Compressor 230V/1Ph/50Hz, fan 230V/1Ph/50Hz
 E - Compressor 400V/3Ph/50Hz, fan 230V/1Ph/50Hz

(2) Nominal conditions (EN13215), Evaporating temperatures at Mid point, Superheat 10K, Subcooling 0K

(3) Rated conditions (EN13215), Evaporating temperature (Mid point) -35°C, Ambient air temperature +32°C, Return Gas Temperature 20°C, Subcooling 0K (NTZ comp models with 10K superheat)

This table continues on the next page



For regular updates and detailed capacities, please refer to **Coolselector®2** software



Model	Code	Version	Refrigerant class	Electrical code (1)	T _{amb} [°C]	Cooling capacity Q [kW] (2)							EcoDesign (3)		Min Fuse rating gL/g(A)	Sound pressure level @ 10m dB(A)
						Evaporating Temperature (Mid point) [°C]							COP	SEPR		
						-40°C	-35°C	-30°C	-25°C	-20°C	-15°C	-10°C				
OP-LSQM068NT	114X7090 114X7184	W05 W09	A1	E	27	1.27	1.71	2.22	2.76	3.32	3.93	-	1.24	-	16	40
					32	1.11	1.50	1.96	2.45	2.96	3.51	-				
					38	0.92	1.26	1.66	2.08	2.55	3.02	-				
					43	0.77	1.07	1.43	1.80	2.21	2.62	-				
OP-LSQM068NT	114X7089 114X7183	W05 W09	A1	G	27	1.31	1.73	2.21	2.73	3.32	3.93	-	1.07	-	25	40
					32	1.12	1.51	1.95	2.43	2.97	3.53	-				
					38	0.91	1.25	1.65	2.08	2.56	3.05	-				
					43	0.73	1.05	1.41	1.80	2.23	2.66	-				
OP-LSQM067LL	114X7091 114X7187	W05 W09	A1	E	27	2.02	2.60	3.32	4.16	5.16	6.31	-	-	1.68	16	40
					32	1.88	2.41	3.07	3.85	4.78	5.85	-				
					38	1.72	2.19	2.78	3.47	4.31	5.28	-				
					43	1.58	2.00	2.53	3.15	3.91	4.80	-				
OP-LSQM084LL	114X7092 114X7188	W05 W09	A1	E	27	2.52	3.19	3.99	4.91	5.99	7.23	-	-	1.65	20	42
					32	2.33	2.94	3.69	4.54	5.55	6.70	-				
					38	2.09	2.64	3.31	4.08	4.99	6.03	-				
					43	1.88	2.38	2.98	3.68	4.50	5.45	-				
OP-LSQM098LL	114X7075 114X7189	W05 W09	A1	E	27	2.94	3.72	4.64	5.69	6.92	8.30	-	-	1.18	20	43
					32	2.71	3.43	4.28	5.25	6.39	7.67	-				
					38	2.43	3.07	3.84	4.71	5.73	6.88	-				
					43	2.18	2.76	3.45	4.23	5.15	6.20	-				

LBP
(1) G - Compressor 230V/1Ph/50Hz, fan 230V/1Ph/50Hz

E - Compressor 400V/3Ph/50Hz, fan 230V/1Ph/50Hz

(2) Nominal conditions (EN13215), Evaporating temperatures at Mid point, Superheat 10K, Subcooling 0K

(3) Rated conditions (EN13215), Evaporating temperature (Mid point) -35°C, Ambient air temperature +32°C, Return Gas Temperature 20°C, Subcooling 0K (NTZ comp models with 10K superheat)

 For regular updates and detailed capacities, please refer to **Coolselector®2** software


Model	Code	Version	Refrigerant class	Electrical code (1)	Tamb [°C]	Cooling capacity Q [kW] (2)							EcoDesign (3)		Min Fuse rating gL/gG (A)	Sound pressure level @ 10m dB(A)
						Evaporating Temperature (Mid point) [°C]							COP	SEPR		
						-40°C	-35°C	-30°C	-25°C	-20°C	-15°C	-10°C				
OP-LSQM014MP	114X7106 114X7129	W05 W09	A1	G	27	-	0.50	0.64	0.80	0.98	1.17	-	1.04	-	10	29
					32	-	0.44	0.58	0.73	0.89	1.07	-				
					38	-	0.38	0.50	0.63	0.78	0.95	-				
					43	-	0.33	0.44	0.56	0.69	0.85	-				
OP-LSVM014DP	114X7263	W05	A1 + A2L	G	27	0.36	0.50	0.64	0.80	0.98	1.17	1.38	1.04	-	10	31
					32	0.33	0.44	0.58	0.73	0.89	1.07	1.27				
					38	0.28	0.38	0.50	0.63	0.78	0.95	1.13				
					43	-	0.33	0.44	0.56	0.69	0.84	1.01				
OP-LSVM016DP	114X7242	W05	A1 + A2L	G	27	0.38	0.54	0.71	0.91	1.12	1.35	1.60	1.02	-	10	32
					32	0.34	0.48	0.64	0.82	1.02	1.23	1.47				
					38	0.29	0.41	0.55	0.71	0.89	1.09	1.31				
					43	-	0.36	0.48	0.63	0.79	0.97	1.18				
OP-LSQM018MP	114X7107 114X7130	W05 W09	A1	G	27	-	0.54	0.71	0.91	1.12	1.35	-	1.08	-	10	29
					32	-	0.48	0.64	0.82	1.02	1.23	-				
					38	-	0.41	0.55	0.71	0.89	1.09	-				
					43	-	0.36	0.48	0.63	0.79	0.97	-				
OP-LSQM026AJ	114X7085 114X7179	W05 W09	A1	G	27	0.53	0.74	0.98	1.28	1.62	2.00	-	1.02	-	10	36
					32	0.46	0.65	0.88	1.15	1.46	1.82	-				
					38	0.37	0.54	0.75	0.99	1.27	1.60	-				
					43	-	0.46	0.64	0.86	1.12	1.41	-				
OP-LSVM026DS	114X7227	W05	A1 + A2L	G	27	0.48	0.70	0.94	1.22	1.52	1.86	2.22	0.97	-	10	38
					32	0.43	0.63	0.86	1.12	1.40	1.72	2.06				
					38	0.38	0.56	0.76	1.00	1.26	1.55	1.87				
					43	-	0.50	0.68	0.90	1.14	1.41	1.71				
OP-LSQM034AJ	114X7086 114X7180	W05 W09	A1	G	27	0.69	0.94	1.24	1.60	2.01	2.49	-	0.98	-	16	37
					32	0.60	0.83	1.11	1.44	1.82	2.26	-				
					38	0.50	0.71	0.95	1.25	1.59	1.99	-				
					43	-	0.60	0.82	1.09	1.40	1.76	-				
OP-LSVM034DS	114X7228	W05	A1 + A2L	G	27	0.66	0.96	1.30	1.68	2.09	2.54	3.03	1.03	-	10	38
					32	0.60	0.87	1.19	1.54	1.92	2.35	2.81				
					38	0.53	0.77	1.05	1.37	1.72	2.12	2.55				
					43	-	0.68	0.94	1.23	1.55	1.92	2.32				
OP-LSQM048NT	114X7087 114X7181	W05 W09	A1	G	27	0.79	1.15	1.59	2.11	2.71	3.38	-	1.04	-	16	40
					32	0.67	1.00	1.40	1.88	2.43	3.05	-				
					38	0.52	0.82	1.18	1.60	2.09	2.65	-				
					43	0.40	0.67	0.99	1.37	1.81	-	-				
OP-LSQM048NT	114X7088 114X7182	W05 W09	A1	E	27	0.80	1.16	1.59	2.10	2.67	3.32	-	1.16	-	10	40
					32	0.68	1.02	1.41	1.87	2.40	2.99	-				
					38	0.55	0.85	1.20	1.60	2.07	2.60	-				
					43	0.44	0.70	1.02	1.38	1.80	-	-				
OP-LSQM074FH	114X7096 114X7186	W05 W09	A1	E	27	1.19	1.69	2.28	2.95	3.72	4.57	-	1.08	-	10	44
					32	1.00	1.45	1.99	2.61	3.32	4.10	-				
					38	0.79	1.19	1.66	2.22	2.85	3.55	-				
					43	0.63	0.98	1.41	1.90	2.47	3.11	-				
OP-LSQM074FH	114X7095 114X7185	W05 W09	A1	G	27	1.19	1.68	2.25	2.91	3.66	4.49	-	0.98	-	32	44
					32	1.00	1.45	1.99	2.60	3.29	4.06	-				
					38	0.77	1.19	1.67	2.23	2.85	3.55	-				
					43	0.58	0.97	1.41	1.92	2.49	3.12	-				

This table continues on the next page

LBP

(1) **G** - Compressor 230V/1Ph/50Hz, fan 230V/1Ph/50Hz

E - Compressor 400V/3Ph/50Hz, fan 230V/1Ph/50Hz

(2) Nominal conditions (EN13215), Evaporating temperatures at Mid point, Superheat 10K, Subcooling 0K

(3) Rated conditions (EN13215), Evaporating temperature (Mid point) -35°C, Ambient air temperature +32°C, Return Gas Temperature 20°C, Subcooling 0K (NTZ comp models with 10K superheat)



For regular updates and detailed capacities, please refer to **Coolselector®2** software



Model	Code	Version	Refrigerant class	Electrical code (1)	Tamb [°C]	Cooling capacity Q [kW] (2)							EcoDesign (3)		Min Fuse rating gL/gG (A)	Sound pressure level @ 10m dB(A)
						Evaporating Temperature (Mid point) [°C]							COP	SEPR		
						-40°C	-35°C	-30°C	-25°C	-20°C	-15°C	-10°C				
OP-LSQM068NT	114X7089 114X7183	W05 W09	A1	G	27	1.35	1.82	2.37	3.02	3.76	4.59	-	1.1	-	25	40
					32	1.21	1.63	2.13	2.72	3.39	4.13	-				
					38	1.04	1.41	1.85	2.36	2.94	3.60	-				
					43	0.90	1.23	1.62	2.07	2.58	-	-				
OP-LSQM068NT	114X7090 114X7184	W05 W09	A1	E	27	1.38	1.88	2.46	3.13	3.88	4.70	-	1.2	-	16	40
					32	1.19	1.65	2.18	2.79	3.48	4.23	-				
					38	0.99	1.39	1.87	2.40	3.01	3.69	-				
					43	0.83	1.20	1.62	2.10	2.64	-	-				
OP-LSQM067LL	114X7091 114X7187	W05 W09	A1	E	27	2.23	2.8	3.57	4.42	5.40	6.52	-	-	1.66	16	40
					32	2.04	2.62	3.30	4.09	5.00	6.04	-				
					38	1.80	2.34	2.96	3.67	4.49	5.43	-				
					43	1.60	2.09	2.65	3.30	4.05	4.90	-				
OP-LSQM084LL	114X7092 114X7188	W05 W09	A1	E	27	2.68	3.40	4.27	5.305	6.495	7.85	-	-	1.69	20	42
					32	2.46	3.13	3.94	4.889	5.982	7.23	-				
					38	2.19	2.80	3.52	4.369	5.344	6.46	-				
					43	1.955	2.508	3.158	3.916	4.791	5.79	-				
OP-LSQM098LL	114X7075 114X7189	W05 W09	A1	E	27	3.119	3.957	4.957	6.129	7.479	9.00	-	-	1.73	20	43
					32	2.865	3.642	4.564	5.64	6.877	8.28	-				
					38	2.545	3.246	4.07	5.028	6.129	7.37	-				
					43	2.264	2.898	3.639	4.496	5.48	6.59	-				

LBP
(1) G - Compressor 230V/1Ph/50Hz, fan 230V/1Ph/50Hz

E - Compressor 400V/3Ph/50Hz, fan 230V/1Ph/50Hz

(2) Nominal conditions (EN13215), Evaporating temperatures at Mid point, Superheat 10K, Subcooling 0K

(3) Rated conditions (EN13215), Evaporating temperature (Mid point) -35°C, Ambient air temperature +32°C, Return Gas Temperature 20°C, Subcooling 0K (NTZ comp models with 10K superheat)

 For regular updates and detailed capacities, please refer to **Coolselector®2** software


Model	Code	Version	Refrigerant class	Electrical code (1)	Tamb [°C]	Cooling Capacity (2) in Watts							EcoDesign (3)		Min Fuse rating gL/gG (A)	Sound pressure level @ 10m dB(A)
						Evaporating Temperature (Mid point) [°C]							COP	SEPR		
						-40°C	-35°C	-30°C	-25°C	-20°C	-15°C	-10°C				
OP-LSVM014DP	114X7263	W05	HFO + A2L	G	27	0.34	0.44	0.56	0.68	0.82	0.97	1.14	0.90	-	10	31
					32	0.30	0.39	0.50	0.61	0.74	0.89	1.04				
					38	0.25	0.33	0.43	0.53	0.65	0.78	0.93				
					43	0.21	0.28	0.37	0.47	0.58	0.70	0.83				
OP-LSVM016DP	114X7242	W05	HFO + A2L	G	27	0.37	0.50	0.64	0.80	0.97	1.16	1.36	0.93	-	10	32
					32	0.33	0.44	0.57	0.72	0.88	1.06	1.25				
					38	0.27	0.37	0.49	0.62	0.77	0.93	1.11				
					43	0.23	0.32	0.42	0.54	0.68	0.83	1.00				
OP-LSVM026DS	114X7227	W05	HFO + A2L	G	27	0.47	0.67	0.90	1.17	1.46	1.77	2.12	0.95	-	10	38
					32	0.42	0.60	0.82	1.07	1.34	1.64	1.97				
					38	0.36	0.53	0.72	0.95	1.20	1.48	1.79				
					43	0.32	0.47	0.64	0.85	1.09	1.35	1.65				
OP-LSVM034DS	114X7228	W05	HFO + A2L	G	27	0.73	1.03	1.39	1.78	2.21	2.67	3.18	1.00	-	10	38
					32	0.65	0.93	1.26	1.62	2.03	2.47	2.95				
					38	0.57	0.82	1.11	1.44	1.82	2.23	2.68				
					43	0.50	0.72	0.99	1.30	1.65	2.03	2.46				

LBP
(1) G - Compressor 230V/1Ph/50Hz, fan 230V/1Ph/50Hz

E - Compressor 400V/3Ph/50Hz, fan 230V/1Ph/50Hz

(2) Nominal conditions (EN13215), Evaporating temperatures at Mid point, Superheat 10K, Subcooling 0K

(3) Rated conditions (EN13215), Evaporating temperature (Mid point) -35°C, Ambient air temperature +32°C, Return Gas Temperature 20°C, Subcooling 0K (NTZ comp models with 10K superheat)

Model	Code	Version	Refrigerant class	Electrical code (1)	Tamb [°C]	Cooling capacity Q [kW] (2)							EcoDesign (3)		Min Fuse rating gL/gG (A)	Sound pressure level @ 10m dB(A)
						Evaporating Temperature (Mid point) [°C]							COP	SEPR		
						-40°C	-35°C	-30°C	-25°C	-20°C	-15°C	-10°C				
OP-LSVM014DP	114X7263	W05	A1 + A2L	G	27	0.26	0.38	0.52	0.67	0.83	1.01	1.21	0.88	-	10	31
					32	0.23	0.34	0.46	0.60	0.75	0.92	1.11				
					38	0.19	0.29	0.40	0.52	0.66	0.82	0.99				
					43	-	0.24	0.34	0.46	0.59	0.73	0.89				
OP-LSVM016DP	114X7242	W05	A1 + A2L	G	27	0.27	0.40	0.54	0.69	0.86	1.05	1.25	0.87	-	10	32
					32	0.24	0.35	0.48	0.62	0.78	0.96	1.14				
					38	0.20	0.30	0.41	0.54	0.68	0.85	1.02				
					43	-	0.25	0.35	0.47	0.60	0.75	0.92				
OP-LSVM026DS	114X7227	W05	A1 + A2L	G	27	0.39	0.57	0.78	1.02	1.28	1.58	1.91	0.87	-	10	38
					32	0.35	0.52	0.71	0.93	1.18	1.47	1.78				
					38	0.31	0.45	0.63	0.83	1.06	1.33	1.62				
					43	-	0.40	0.56	0.75	0.96	1.21	1.49				
OP-LSVM034DS	114X7228	W05	A1 + A2L	G	27	0.63	0.91	1.24	1.61	2.03	2.48	2.98	0.96	-	10	38
					32	0.57	0.82	1.13	1.47	1.86	2.30	2.77				
					38	0.50	0.72	1.00	1.31	1.67	2.08	2.52				
					43	-	0.64	0.89	1.18	1.51	1.89	2.31				

LBP
(1) G - Compressor 230V/1Ph/50Hz, fan 230V/1Ph/50Hz

E - Compressor 400V/3Ph/50Hz, fan 230V/1Ph/50Hz

(2) Nominal conditions (EN13215), Evaporating temperatures at Mid point, Superheat 10K, Subcooling 0K

(3) Rated conditions (EN13215), Evaporating temperature (Mid point) -35°C, Ambient air temperature +32°C, Return Gas Temperature 20°C, Subcooling 0K (NTZ comp models with 10K superheat)

 For regular updates and detailed capacities, please refer to **Coolselector®2** software


Model	Code	Version	Refrigerant class	Electrical code (1)	Tamb [°C]	Cooling capacity Q [kW] (2)						EcoDesign (3)		Min Fuse rating gL/gG (A)	Sound pressure level @ 10m dB(A)
						Evaporating Temperature (Mid point) [°C]						COP	SEPR		
						-15°C	-10°C	-5°C	0°C	5°C	10°C				
OP-MSGM012SC	114X7099 114X7207	W05 W09	A1	G	27	0.54	0.69	0.86	1.05	1.27	1.52	1.71	-	10	31
					32	0.50	0.64	0.80	0.98	1.20	1.44				
					38	0.44	0.57	0.72	0.90	1.10	1.33				
					43	0.40	0.52	0.66	0.83	1.02	1.24				
OP-MSSM012SC	114X7238	W05	A1 + A2L	G	27	0.55	0.69	0.86	1.06	1.28	1.53	1.71	-	10	31
					32	0.50	0.64	0.80	0.99	1.20	1.44				
					38	0.45	0.58	0.73	0.90	1.11	1.34				
					43	0.40	0.52	0.66	0.83	1.03	1.25				
OP-MSGM015SC	114X7100 114X7208	W05 W09	A1	G	27	0.59	0.75	0.95	1.17	1.43	1.72	1.64	-	10	32
					32	0.56	0.71	0.90	1.11	1.35	1.62				
					38	0.51	0.66	0.83	1.03	1.25	1.50				
					43	0.47	0.61	0.77	0.96	1.16	1.39				
OP-MSSM015SC	114X7239	W05	A1 + A2L	G	27	0.59	0.76	0.95	1.18	1.44	1.73	1.64	-	10	31
					32	0.56	0.72	0.90	1.12	1.36	1.63				
					38	0.52	0.67	0.84	1.03	1.26	1.51				
					43	0.47	0.62	0.78	0.96	1.17	1.40				
OP-MSGM018SC	114X7101 114X7131	W05 W09	A1	G	27	0.75	0.93	1.14	1.38	1.65	1.95	1.61	-	10	32
					32	0.68	0.85	1.05	1.28	1.55	1.84				
					38	0.60	0.77	0.96	1.19	1.44	1.72				
					43	0.55	0.71	0.90	1.11	1.35	1.63				
OP-MSSM018SC	114X7240	W05	A1 + A2L	G	27	0.76	0.94	1.14	1.38	1.65	1.95	1.61	-	10	32
					32	0.68	0.86	1.06	1.29	1.55	1.85				
					38	0.61	0.77	0.97	1.19	1.44	1.73				
					43	0.56	0.72	0.90	1.11	1.36	1.63				
OP-MSGM021SC	114X7102 114X7132	W05 W09	A1	G	27	0.88	1.107	1.35	1.63	1.94	2.29	1.74	-	10	32
					32	0.81	1.02	1.26	1.53	1.83	2.17				
					38	0.73	0.93	1.15	1.41	1.70	2.01				
					43	0.66	0.85	1.06	1.30	1.58	1.88				
OP-MSSM021SC	114X7241	W05	A1 + A2L	G	27	0.89	1.11	1.36	1.64	1.95	2.29	1.74	-	10	32
					32	0.81	1.03	1.27	1.54	1.84	2.17				
					38	0.73	0.93	1.16	1.42	1.70	2.02				
					43	0.67	0.85	1.07	1.31	1.58	1.88				
OP-MSGM026AJ	114X7103 114X7209	W05 W09	A1	G	27	1.07	1.39	1.77	2.20	2.70	3.27	1.80	-	16	31
					32	0.98	1.28	1.63	2.04	2.51	3.04				
					38	0.86	1.14	1.47	1.85	2.28	2.77				
					43	0.76	1.03	1.34	1.69	2.10	2.55				
OP-MSSM026CS	114X7248	W05	A1 + A2L	G	27	1.12	1.43	1.79	2.17	2.59	3.04	1.99	-	10	38
					32	1.01	1.31	1.65	2.02	2.42	2.86				
					38	0.88	1.16	1.48	1.83	2.22	2.64				
					43	0.78	1.04	1.34	1.67	2.04	2.45				
OP-MSSM030CS	114X7249	W05	A1 + A2L	G	27	1.28	1.65	2.07	2.53	3.03	3.56	1.89	-	10	38
					32	1.16	1.51	1.91	2.35	2.83	3.34				
					38	1.02	1.35	1.72	2.13	2.59	3.09				
					43	0.90	1.21	1.56	1.95	2.39	2.87				
OP-MSGM033AJ	114X7104 114X7210	W05 W09	A1	G	27	1.40	1.79	2.24	2.76	3.34	3.98	2.02	-	16	36
					32	1.29	1.66	2.09	2.57	3.12	3.72				
					38	1.15	1.50	1.89	2.34	2.85	3.41				
					43	1.04	1.36	1.73	2.15	2.62	3.15				

This table continues on the next page

MBP

(1) G - Compressor 230V/1Ph/50Hz, fan 230V/1Ph/50Hz

E - Compressor 400V/3Ph/50Hz, fan 230V/1Ph/50Hz

(2) Nominal conditions (EN13215), Evaporating temperatures at Mid point, Superheat 10K, Subcooling 0K

(3) Rated conditions (EN13215), Evaporating temperature (Mid) -10°C, Ambient air temperature +32°C, Return Gas Temperature 20°C, Subcooling 0K



For regular updates and detailed capacities, please refer to **Coolselector®2** software



Model	Code	Version	Refrigerant class	Electrical code (1)	Tamb [°C]	Cooling capacity Q [kW] (2)						EcoDesign (3)		Min Fuse rating gL/gG (A)	Sound pressure level @ 10m dB(A)
						Evaporating Temperature (Mid point) [°C]						COP	SEPR		
						-15°C	-10°C	-5°C	0°C	5°C	10°C				
OP-MSXM034ML	114X7062 114X7196	W05 W09	A1	E	27	1.81	2.28	2.83	3.46	4.18	5.00	2.25	-	10	38
					32	1.71	2.16	2.68	3.29	3.98	4.76				
					38	1.59	2.01	2.50	3.07	3.72	4.46				
					43	1.49	1.88	2.34	2.88	3.50	4.20				
OP-MSXM034ML	114X7061 114X7195	W05 W09	A1	G	27	1.82	2.32	2.88	3.51	4.21	5.00	2.17	-	25	38
					32	1.71	2.18	2.73	3.33	4.02	4.78				
					38	1.58	2.02	2.53	3.11	3.77	4.50				
					43	1.47	1.89	2.36	2.91	3.54	4.25				
OP-MSXM044ML	114X7162 114X7212	W05 W09	A1	E	27	2.32	2.89	3.57	4.36	5.25	6.25	2.23	-	16	38
					32	2.19	2.73	3.38	4.13	4.99	5.94				
					38	2.03	2.54	3.14	3.85	4.65	5.55				
					43	1.89	2.37	2.94	3.61	4.36	5.22				
OP-MSXM044ML	114X7161 114X7211	W05 W09	A1	G	27	2.31	2.92	3.61	4.39	5.26	6.23	2.01	-	32	38
					32	2.17	2.74	3.41	4.16	5.00	5.94				
					38	2.00	2.53	3.15	3.86	4.67	5.56				
					43	1.88	2.36	2.94	3.60	4.37	5.23				
OP-MSXM046ML	114X7064 114X7198	W05 W09	A1	E	27	2.47	3.09	3.81	4.66	5.61	6.69	2.33	-	16	38
					32	2.33	2.92	3.61	4.41	5.33	6.35				
					38	2.16	2.71	3.36	4.11	4.97	5.94				
					43	2.02	2.53	3.14	3.86	4.67	5.59				
OP-MSXM046ML	114X7063 114X7197	W05 W09	A1	G	27	2.46	3.11	3.85	4.69	5.62	6.66	2.07	-	32	38
					32	2.31	2.93	3.64	4.44	5.35	6.35				
					38	2.14	2.71	3.37	4.13	4.99	5.95				
					43	2.00	2.52	3.14	3.85	4.67	5.60				
OP-MSXM057ML	114X7066 114X7200	W05 W09	A1	E	27	2.98	3.74	4.62	5.63	6.76	8.02	2.28	-	16	38
					32	2.81	3.53	4.37	5.33	6.40	7.61				
					38	2.59	3.27	4.06	4.95	5.97	7.10				
					43	2.41	3.05	3.79	4.64	5.59	6.66				
OP-MSXM057ML	114X7065 114X7199	W05 W09	A1	G	27	2.98	3.762	4.64	5.64	6.76	7.99	1.90	-	32	38
					32	2.80	3.54	4.38	5.33	6.40	7.59				
					38	2.60	3.27	4.05	4.94	5.95	7.08				
					43	2.44	3.04	3.77	4.60	5.56	6.63				
OP-MSXM068ML	114X7068 114X7202	W05 W09	A1	E	27	3.68	4.63	5.73	7.01	8.47	10.10	2.37	-	16	39
					32	3.48	4.38	5.43	6.65	8.04	9.61				
					38	3.24	4.07	5.06	6.21	7.52	9.00				
					43	3.03	3.82	4.74	5.83	7.07	8.48				
OP-MSXM068ML	114X7067 114X7201	W05 W09	A1	G	27	3.78	4.65	5.75	7.03	8.47	10.0	2.08	-	40	39
					32	3.64	4.42	5.44	6.67	8.05	9.58				
					38	3.47	4.14	5.07	6.21	7.53	9.00				
					43	3.35	3.91	4.75	5.81	7.07	8.48				
OP-MSXM080ML	114X7070 114X7204	W05 W09	A1	E	27	4.28	5.38	6.66	8.12	9.78	11.63	-	3.43	20	39
					32	4.02	5.08	6.30	7.70	9.28	11.05				
					38	3.71	4.71	5.86	7.17	8.66	10.33				
					43	3.45	4.39	5.48	6.72	8.13	9.70				
OP-MSXM080ML	114X7069 114X7203	W05 W09	A1	G	27	4.25	5.46	6.78	8.23	9.82	11.58	-	3.03	40	39
					32	3.95	5.13	6.41	7.80	9.33	11.03				
					38	3.56	4.70	5.92	7.25	8.71	10.33				
					43	3.22	4.32	5.50	6.77	8.17	9.72				

This table continues on the next page

MBP
(1) G - Compressor 230V/1Ph/50Hz, fan 230V/1Ph/50Hz

E - Compressor 400V/3Ph/50Hz, fan 230V/1Ph/50Hz

(2) Nominal conditions (EN13215), Evaporating temperatures at Mid point, Superheat 10K, Subcooling 0K

(3) Rated conditions (EN13215), Evaporating temperature (Mid) -10°C, Ambient air temperature +32°C, Return Gas Temperature 20°C, Subcooling 0K

 For regular updates and detailed capacities, please refer to **Coolselector®2** software


Model	Code	Version	Refrigerant class	Electrical code (1)	Tamb [°C]	Cooling capacity Q [kW] (2)						EcoDesign (3)		Min Fuse rating gL/gG (A)	Sound pressure level @ 10m dB(A)
						Evaporating Temperature (Mid point) [°C]						COP	SEPR		
						-15°C	-10°C	-5°C	0°C	5°C	10°C				
OP-MSXM099ML	114X7071 114X7205	W05 W09	A1	E	27	5.32	6.67	8.26	10.09	12.14	14.39	-	3.80	20	39
					32	5.01	6.29	7.80	9.55	11.51	13.67				
					38	4.64	5.82	7.23	8.88	10.73	12.77				
					43	4.33	5.42	6.75	8.29	10.05	11.99				
OP-MSXM108ML	114X7072 114X7206	W05 W09	A1	E	27	5.63	7.05	8.70	10.60	12.72	15.06	-	3.74	20	39
					32	5.29	6.64	8.22	10.03	12.06	14.3				
					38	4.88	6.14	7.62	9.32	11.24	13.35				
					43	4.54	5.71	7.10	8.70	10.52	12.52				

MBP
(1) G - Compressor 230V/1Ph/50Hz, fan 230V/1Ph/50Hz

E - Compressor 400V/3Ph/50Hz, fan 230V/1Ph/50Hz

(2) Nominal conditions (EN13215), Evaporating temperatures at Mid point, Superheat 10K, Subcooling 0K

(3) Rated conditions (EN13215), Evaporating temperature (Mid) -10°C, Ambient air temperature +32°C, Return Gas Temperature 20°C, Subcooling 0K

 For regular updates and detailed capacities, please refer to **Coolselector®2** software


Model	Code	Version	Refrigerant class	Electrical code (1)	Tamb [°C]	Cooling capacity Q [kW] (2)						EcoDesign (3)		Min Fuse rating gL/g(A)	Sound pressure level @ 10m dB(A)
						Evaporating Temperature (Mid point) [°C]						COP	SEPR		
						-15°C	-10°C	-5°C	0°C	5°C	10°C				
OP-MSSM012SC	114X7238	W05	A1 + A2L	G	27	0.57	0.72	0.89	1.09	1.31	1.56	1.68	-	10	31
					32	0.52	0.66	0.83	1.01	1.23	1.47				
					38	0.46	0.59	0.74	0.92	1.13	1.36				
					43	0.41	0.53	0.68	0.85	1.04	1.26				
OP-MSGM012SC	114X7099 114X7207	W05 W09	A1	G	27	0.57	0.71	0.89	1.08	1.31	1.56	1.68	-	10	31
					32	0.52	0.66	0.82	1.01	1.22	1.47				
					38	0.46	0.59	0.74	0.92	1.12	1.35				
					43	0.41	0.53	0.67	0.84	1.04	1.26				
OP-MSGM015SC	114X7100 114X7208	W05 W09	A1	G	27	0.61	0.78	0.98	1.21	1.47	1.76	1.61	-	10	32
					32	0.58	0.74	0.93	1.14	1.38	1.66				
					38	0.53	0.68	0.85	1.05	1.28	1.53				
					43	0.48	0.62	0.79	0.97	1.18	1.41				
OP-MSSM015SC	114X7239	W05	A1 + A2L	G	27	0.62	0.79	0.98	1.21	1.47	1.76	1.61	-	10	31
					32	0.58	0.74	0.93	1.15	1.39	1.66				
					38	0.53	0.68	0.86	1.06	1.28	1.53				
					43	0.49	0.63	0.79	0.98	1.18	1.42				
OP-MSGM018SC	114X7101 114X7131	W05 W09	A1	G	27	0.78	0.96	1.17	1.41	1.69	1.99	1.57	-	10	32
					32	0.70	0.88	1.08	1.32	1.58	1.88				
					38	0.62	0.79	0.99	1.21	1.46	1.75				
					43	0.56	0.73	0.91	1.13	1.37	1.64				
OP-MSSM018SC	114X7240	W05	A1 + A2L	G	27	0.79	0.97	1.18	1.42	1.69	2.00	1.57	-	10	32
					32	0.70	0.88	1.09	1.32	1.59	1.88				
					38	0.62	0.79	0.99	1.21	1.47	1.76				
					43	0.57	0.73	0.92	1.13	1.37	1.65				
OP-MSSM021SC	114X7241	W05	A1 + A2L	G	27	0.92	1.14	1.40	1.68	1.99	2.34	1.69	-	10	32
					32	0.84	1.06	1.30	1.57	1.88	2.21				
					38	0.75	0.95	1.18	1.44	1.73	2.04				
					43	0.68	0.87	1.08	1.32	1.60	1.90				
OP-MSGM021SC	114X7102 114X7132	W05 W09	A1	G	27	0.91	1.14	1.39	1.68	1.99	2.33	1.69	-	10	32
					32	0.84	1.05	1.30	1.57	1.87	2.20				
					38	0.75	0.95	1.18	1.44	1.72	2.04				
					43	0.67	0.86	1.08	1.32	1.59	1.89				
OP-MSSM026CS	114X7248	W05	A1 + A2L	G	27	1.16	1.50	1.87	2.28	2.73	3.22	2.02	-	10	38
					32	1.05	1.36	1.72	2.12	2.55	3.02				
					38	0.91	1.21	1.54	1.92	2.33	2.78				
					43	0.80	1.08	1.39	1.75	2.15	2.59				
OP-MSGM026AJ	114X7103 114X7209	W05 W09	A1	G	27	1.16	1.48	1.86	2.29	2.78	3.33	1.82	-	16	31
					32	1.05	1.35	1.70	2.11	2.56	3.07				
					38	0.92	1.20	1.52	1.89	2.31	2.78				
					43	0.81	1.07	1.37	1.72	2.10	2.54				
OP-MSSM030CS	114X7249	W05	A1 + A2L	G	27	1.33	1.72	2.16	2.65	3.18	3.76	1.89	-	10	38
					32	1.20	1.57	1.99	2.46	2.97	3.53				
					38	1.05	1.40	1.79	2.23	2.72	3.26				
					43	0.92	1.25	1.62	2.04	2.51	3.03				
OP-MSGM033AJ	114X7104 114X7210	W05 W09	A1	G	27	1.51	1.90	2.35	2.85	3.42	4.04	2.03	-	16	36
					32	1.38	1.75	2.17	2.64	3.17	3.75				
					38	1.23	1.57	1.95	2.39	2.87	3.41				
					43	1.09	1.41	1.77	2.17	2.62	3.12				

This table continues on the next page

MBP

(1) **G** - Compressor 230V/1Ph/50Hz, fan 230V/1Ph/50Hz
E - Compressor 400V/3Ph/50Hz, fan 230V/1Ph/50Hz

(2) Nominal conditions (EN13215), Evaporating temperatures at Mid point, Superheat 10K, Subcooling 0K

(3) Rated conditions (EN13215), Evaporating temperature (Mid) -10°C, Ambient air temperature +32°C, Return Gas Temperature 20°C, Subcooling 0K



For regular updates and detailed capacities, please refer to **Coolselector®2** software



Model	Code	Version	Refrigerant class	Electrical code (1)	Tamb [°C]	Cooling capacity Q [kW] (2)						EcoDesign (3)		Min Fuse rating gL/gG (A)	Sound pressure level @ 10m dB(A)
						Evaporating Temperature (Mid point) [°C]						COP	SEPR		
						-15°C	-10°C	-5°C	0°C	5°C	10°C				
OP-MSXM034ML	114X7062 114X7196	W05 W09	A1	E	27	1.94	2.40	2.95	3.59	4.34	5.18	2.29	-	10	38
					32	1.81	2.25	2.77	3.38	4.09	4.90				
					38	1.66	2.07	2.56	3.13	3.78	4.54				
					43	1.53	1.92	2.37	2.91	3.52	4.24				
OP-MSXM034ML	114X7061 114X7195	W05 W09	A1	G	27	1.91	2.37	2.92	3.57	4.31	5.17	2.23	-	25	38
					32	1.80	2.23	2.75	3.36	4.07	4.88				
					38	1.65	2.06	2.54	3.11	3.77	4.52				
					43	1.53	1.91	2.37	2.89	3.51	4.22				
OP-MSXM044ML	114X7162 114X7212	W05 W09	A1	E	27	2.47	3.06	3.75	4.55	5.46	6.49	2.37	-	16	38
					32	2.31	2.87	3.53	4.29	5.15	6.13				
					38	2.10	2.63	3.25	3.96	4.77	5.68				
					43	1.93	2.43	3.00	3.67	4.43	5.30				
OP-MSXM044ML	114X7161 114X7211	W05 W09	A1	G	27	2.40	2.98	3.67	4.46	5.37	6.40	1.99	-	32	38
					32	2.25	2.81	3.46	4.21	5.08	6.06				
					38	2.06	2.59	3.20	3.90	4.71	5.63				
					43	1.90	2.39	2.97	3.63	4.40	5.27				
OP-MSXM046ML	114X7063 114X7197	W05 W09	A1	E	27	2.55	3.17	3.89	4.72	5.67	6.75	2.02	-	16	38
					32	2.39	2.98	3.66	4.46	5.36	6.38				
					38	2.19	2.74	3.38	4.12	4.97	5.93				
					43	2.02	2.542	3.14	3.84	4.64	5.54				
OP-MSXM046ML	114X7064 114X7198	W05 W09	A1	G	27	2.62	3.24	3.97	4.81	5.76	6.84	2.37	-	32	38
					32	2.44	3.04	3.73	4.53	5.43	6.46				
					38	2.22	2.78	3.43	4.18	5.03	5.99				
					43	2.04	2.56	3.17	3.87	4.67	5.58				
OP-MSXM057ML	114X7066 114X7200	W05 W09	A1	E	27	3.19	3.95	4.83	5.83	6.95	8.20	2.37	-	16	38
					32	2.96	3.69	4.53	5.48	6.55	7.74				
					38	2.68	3.37	4.15	5.04	6.05	7.17				
					43	2.44	3.09	3.83	4.67	5.61	6.67				
OP-MSXM057ML	114X7065 114X7199	W05 W09	A1	G	27	3.14	3.88	4.75	5.73	6.85	8.10	2.11	-	32	38
					32	2.93	3.65	4.47	5.40	6.46	7.64				
					38	2.68	3.35	4.12	4.99	5.98	7.08				
					43	2.47	3.10	3.82	4.64	5.56	6.59				
OP-MSXM068ML	114X7068 114X7202	W05 W09	A1	E	27	3.99	4.92	6.03	7.31	8.79	10.4	2.52	-	16	39
					32	3.74	4.64	5.69	6.91	8.32	9.92				
					38	3.43	4.27	5.26	6.40	7.72	9.22				
					43	3.17	3.96	4.89	5.96	7.20	8.61				
OP-MSXM068ML	114X7067 114X7201	W05 W09	A1	G	27	3.93	4.84	5.92	7.17	8.60	10.24	2.31	-	40	39
					32	3.68	4.55	5.57	6.76	8.13	9.69				
					38	3.36	4.18	5.14	6.25	7.54	9.00				
					43	3.09	3.86	4.76	5.81	7.03	8.41				
OP-MSXM080ML	114X7070 114X7204	W05 W09	A1	E	27	4.66	5.75	7.02	8.49	10.17	12.07	-	3.89	20	39
					32	4.37	5.40	6.60	8.00	9.59	11.40				
					38	4.00	4.96	6.09	7.39	8.88	10.57				
					43	3.68	4.59	5.64	6.86	8.26	9.85				
OP-MSXM080ML	114X7069 114X7203	W05 W09	A1	G	27	4.59	5.67	6.95	8.43	10.13	12.04	-	3.24	40	39
					32	4.30	5.34	6.55	7.96	9.56	11.38				
					38	3.95	4.92	6.05	7.37	8.86	10.57				
					43	3.64	4.56	5.62	6.85	8.26	9.86				

This table continues on the next page

MBP

(1) G - Compressor 230V/1Ph/50Hz, fan 230V/1Ph/50Hz

E - Compressor 400V/3Ph/50Hz, fan 230V/1Ph/50Hz

(2) Nominal conditions (EN13215), Evaporating temperatures at Mid point, Superheat 10K, Subcooling 0K

(3) Rated conditions (EN13215), Evaporating temperature (Mid) -10°C, Ambient air temperature +32°C, Return Gas Temperature 20°C, Subcooling 0K



For regular updates and detailed capacities, please refer to **Coolselector®2** software



Model	Code	Version	Refrigerant class	Electrical code (1)	Tamb [°C]	Cooling capacity Q [kW] (2)						EcoDesign (3)		Min Fuse rating gL/gG (A)	Sound pressure level @ 10m dB(A)
						Evaporating Temperature (Mid point) [°C]						COP	SEPR		
						-15°C	-10°C	-5°C	0°C	5°C	10°C				
OP-MSXM099ML	114X7071 114X7205	W05 W09	A1	E	27	5.70	7.02	8.57	10.35	12.36	14.62	-	3.81	20	39
					32	5.33	6.59	8.05	9.73	11.64	13.78				
					38	4.88	6.05	7.41	8.97	10.75	12.75				
					43	4.49	5.59	6.86	8.32	9.98	11.86				
OP-MSXM108ML	114X7072 114X7206	W05 W09	A1	E	27	6.07	7.49	9.13	11.02	13.16	15.56	-	3.84	20	39
					32	5.65	7.00	8.56	10.36	12.39	14.67				
					38	5.12	6.39	7.86	9.53	11.43	13.57				
					43	4.68	5.87	7.25	8.82	10.61	12.63				

MBP

(1) **G** - Compressor 230V/1Ph/50Hz, fan 230V/1Ph/50Hz

E - Compressor 400V/3Ph/50Hz, fan 230V/1Ph/50Hz

(2) Nominal conditions (EN13215), Evaporating temperatures at Mid point, Superheat 10K, Subcooling 0K

(3) Rated conditions (EN13215), Evaporating temperature (Mid) -10°C, Ambient air temperature +32°C, Return Gas Temperature 20°C, Subcooling 0K



For regular updates and detailed capacities, please refer to **Coolselector®2** software



Model	Code	Version	Refrigerant class	Electrical code (1)	Tamb [°C]	Cooling capacity Q [kW] (2)								EcoDesign (3)		Min Fuse rating gL/gG (A)	Sound pressure level @ 10m dB(A)
						Evaporating Temperature (Mid point) [°C]								COP	SEPR		
						-20°C	-15°C	-10°C	-5°C	0°C	5°C	10°C					
OP-MSTM008DY	114X7226	W05	A1 + A2L	G	27	-	0.77	0.96	1.17	1.38	1.62	1.86	2.24	-	10	32	
					32	-	0.68	0.86	1.05	1.25	1.46	1.69					
					38	-	0.58	0.73	0.90	1.08	1.28	1.49					
					43	-	-	0.63	0.78	0.95	1.13	1.33					
OP-MSTM009DY	114X7229	W05	A1 + A2L	G	27	-	0.87	1.08	1.29	1.52	1.75	2.00	2.04	-	10	32	
					32	-	0.78	0.96	1.16	1.37	1.59	1.82					
					38	-	0.67	0.83	1.01	1.19	1.39	1.60					
					43	-	-	0.72	0.88	1.05	1.23	1.42					
OP-MSTM012DP	114X7230	W05	A1 + A2L	G	27	-	1.12	1.37	1.64	1.92	2.21	2.50	1.85	-	10	32	
					32	-	0.99	1.22	1.47	1.72	1.99	2.27					
					38	-	0.85	1.05	1.26	1.49	1.74	1.99					
					43	-	-	0.90	1.10	1.30	1.53	1.76					
OP-MSTM014DP	114X7231	W05	A1 + A2L	G	27	-	1.18	1.43	1.70	1.98	2.27	2.58	1.78	-	10	33	
					32	-	1.07	1.30	1.55	1.81	2.09	2.39					
					38	-	0.94	1.15	1.37	1.62	1.88	2.15					
					43	-	-	1.02	1.23	1.45	1.70	1.96					
OP-MSTM018DX	114X7232	W05	A1 + A2L	G	27	-	1.24	1.49	1.75	2.03	2.32	2.63	1.65	-	10	39	
					32	-	1.13	1.36	1.60	1.86	2.14	2.43					
					38	-	1.00	1.21	1.43	1.67	1.92	2.20					
					43	-	-	1.08	1.28	1.50	1.74	2.00					
OP-MSTM022DS	114X7233	W05	A1 + A2L	G	27	-	1.80	2.20	2.64	3.14	3.68	4.25	1.9	-	10	39	
					32	-	1.63	1.99	2.40	2.86	3.35	3.88					
					38	-	1.42	1.75	2.12	2.52	2.96	3.44					
					43	-	-	1.55	1.88	2.24	2.63	3.06					
OP-MSTM026DS	114X7234	W05	A1 + A2L	G	27	-	2.21	2.70	3.22	3.77	4.33	4.91	1.83	-	10	39	
					32	-	1.95	2.40	2.87	3.37	3.89	4.44					
					38	-	1.64	2.03	2.45	2.90	3.37	3.88					
					43	-	-	1.73	2.11	2.51	2.94	3.41					
OP-MSTM026DS	114X7235	W05	A1 + A2L	E	27	-	2.23	2.73	3.26	3.80	4.38	4.96	1.79	-	10	39	
					32	-	1.97	2.42	2.90	3.40	3.93	4.49					
					38	-	1.65	2.05	2.48	2.93	3.41	3.92					
					43	-	-	1.75	2.13	2.54	2.97	3.44					
OP-MSTM034DS	114X7237	W05	A1 + A2L	G	27	-	2.24	2.91	3.66	4.50	5.43	6.43	1.79	-	10	39	
					32	-	2.01	2.63	3.34	4.12	5.00	5.95					
					38	-	1.72	2.29	2.94	3.67	4.48	5.37					
					43	-	-	2.00	2.61	3.28	4.05	4.88					
OP-MSTM034DS	114X7236	W05	A1 + A2L	E	27	-	2.27	2.94	3.70	4.54	5.48	6.49	1.75	-	10	39	
					32	-	2.03	2.66	3.37	4.17	5.05	6.01					
					38	-	1.74	2.31	2.97	3.71	4.53	5.43					
					43	-	-	2.02	2.63	3.32	4.09	4.93					
OP-MSXM034ML	114X7062 114X7196	W05 W09	A1	E	27	2.59	3.21	3.90	4.70	5.58	6.58	-	2.29	-	10	38	
					32	2.40	2.99	3.64	4.39	5.23	6.17	-					
					38	2.17	2.70	3.31	4.01	4.79	5.67	-					
					43	-	-	3.02	3.67	4.40	5.23	-					
OP-MSXM034ML	114X7061 114X7195	W05 W09	A1	G	27	2.58	3.20	3.90	4.70	5.59	6.59	-	2.35	-	25	38	
					32	2.41	2.99	3.65	4.41	5.24	6.19	-					
					38	2.19	2.73	3.34	4.04	4.82	5.70	-					
					43	-	-	3.07	3.72	4.45	5.27	-					

This table continues on the next page

MBP

(1) **G** - Compressor 230V/1Ph/50Hz, fan 230V/1Ph/50Hz

E - Compressor 400V/3Ph/50Hz, fan 230V/1Ph/50Hz

(2) Nominal conditions (EN13215), Evaporating temperatures at Mid point, Superheat 10K, Subcooling 0K

(3) Rated conditions (EN13215), Evaporating temperature (Mid) -10°C, Ambient air temperature +32°C, Return Gas Temperature 20°C, Subcooling 0K



For regular updates and detailed capacities, please refer to **Coolselector®2** software



Model	Code	Version	Refrigerant class	Electrical code (1)	Tamb [°C]	Cooling capacity Q [kW] (2)							EcoDesign (3)		Min Fuse rating gL/gG (A)	Sound pressure level @ 10m dB(A)
						Evaporating Temperature (Mid point) [°C]							COP	SEPR		
						-20°C	-15°C	-10°C	-5°C	0°C	5°C	10°C				
OP-MSXM044ML	114X7162 114X7212	W05 W09	A1	E	27	3.27	4.03	4.87	5.84	6.89	8.07	-	2.18	-	16	38
					32	3.05	3.76	4.55	5.45	6.44	7.55	-				
					38	2.78	3.43	4.15	4.98	5.88	6.91	-				
					43	-	-	3.81	4.58	5.42	6.37	-				
OP-MSXM044ML	114X7161 114X7211	W05 W09	A1	G	27	3.18	3.94	4.79	5.77	6.84	8.04	-	2.06	-	32	38
					32	2.97	3.69	4.49	5.42	6.43	7.57	-				
					38	2.71	3.37	4.11	4.97	5.91	6.98	-				
					43	-	-	3.79	4.59	5.47	6.46	-				
OP-MSXM046ML	114X7064 114X7198	W05 W09	A1	E	27	3.45	4.26	5.16	6.18	7.30	8.55	-	2.22	-	16	38
					32	3.19	3.95	4.79	5.75	6.81	7.99	-				
					38	2.87	3.56	4.33	5.22	6.19	7.29	-				
					43	-	-	3.94	4.76	5.66	6.68	-				
OP-MSXM046ML	114X7063 114X7197	W05 W09	A1	G	27	3.47	4.28	5.18	6.22	7.36	8.63	-	2.13	-	32	38
					32	3.22	3.98	4.83	5.81	6.88	8.09	-				
					38	2.91	3.61	4.39	5.29	6.28	7.41	-				
					43	-	-	4.02	4.85	5.77	6.82	-				
OP-MSXM057ML	114X7066 114X7200	W05 W09	A1	E	27	4.17	5.14	6.21	7.41	8.71	10.14	-	-	3.47	16	38
					32	3.82	4.73	5.73	6.86	8.08	9.42	-				
					38	3.38	4.22	5.13	6.17	7.28	8.52	-				
					43	-	-	4.61	5.57	6.59	7.73	-				
OP-MSXM057ML	114X7065 114X7199	W05 W09	A1	G	27	4.22	5.19	6.27	7.49	8.81	10.2	-	-	3.24	32	38
					32	3.90	4.80	5.80	6.94	8.18	9.56	-				
					38	3.49	4.31	5.22	6.25	7.38	8.65	-				
					43	-	-	4.70	5.65	6.68	7.85	-				
OP-MSXM068ML	114X7067 114X7201	W05 W09	A1	G	27	5.26	6.49	7.87	9.46	11.20	13.18	-	-	3.59	40	39
					32	4.88	6.04	7.33	8.83	10.49	12.36	-				
					38	4.40	5.47	6.67	8.05	9.59	11.35	-				
					43	-	-	6.09	7.38	8.81	10.47	-				
OP-MSXM068ML	114X7068 114X7202	W05 W09	A1	E	27	5.30	6.52	7.89	9.48	11.22	13.19	-	-	3.78	16	39
					32	4.90	6.06	7.35	8.84	10.49	12.36	-				
					38	4.41	5.47	6.66	8.04	9.57	11.32	-				
					43	-	-	6.06	7.34	8.77	10.41	-				
OP-MSXM080ML	114X7069 114X7203	W05 W09	A1	G	27	6.06	7.45	8.99	10.75	12.65	14.77	-	-	3.34	40	39
					32	5.65	6.96	8.40	10.05	11.84	13.84	-				
					38	5.14	6.34	7.67	9.18	10.83	12.68	-				
					43	-	-	7.03	8.42	9.94	11.67	-				
OP-MSXM080ML	114X7070 114X7204	W05 W09	A1	E	27	6.15	7.55	9.10	10.87	12.80	14.95	-	-	3.78	20	39
					32	5.69	7.00	8.45	10.12	11.94	13.98	-				
					38	5.11	6.31	7.65	9.18	10.87	12.76	-				
					43	-	-	6.95	8.38	9.94	11.71	-				
OP-MSXM099ML	114X7071 114X7205	W05 W09	A1	E	27	7.49	9.24	11.18	13.38	15.75	18.40	-	-	3.77	20	39
					32	6.93	8.57	10.38	12.44	14.66	17.15	-				
					38	6.23	7.72	9.37	11.25	13.29	15.58	-				
					43	-	-	8.50	10.22	12.1	14.22	-				
OP-MSXM108ML	114X7072 114X7206	W05 W09	A1	E	27	8.02	9.85	11.88	14.19	16.69	19.49	-	-	3.63	20	39
					32	7.40	9.11	11.01	13.17	15.52	18.16	-				
					38	6.63	8.19	9.924	11.90	14.06	16.49	-				
					43	-	-	8.98	10.79	12.78	15.04	-				

MBP

(1) **G** - Compressor 230V/1Ph/50Hz, fan 230V/1Ph/50Hz
E - Compressor 400V/3Ph/50Hz, fan 230V/1Ph/50Hz

(2) Nominal conditions (EN13215), Evaporating temperatures at Mid point, Superheat 10K, Subcooling 0K

(3) Rated conditions (EN13215), Evaporating temperature (Mid) -10°C, Ambient air temperature +32°C, Return Gas Temperature 20°C, Subcooling 0K



For regular updates and detailed capacities, please refer to **Coolselector®2** software



Model	Code	Version	Refrigerant class	Electrical code (1)	Tamb [°C]	Cooling capacity Q [kW] (2)							EcoDesign (3)		Min Fuse rating gL/gG (A)	Sound pressure level @ 10m dB(A)
						Evaporating Temperature (Mid point) [°C]							COP	SEPR		
						-20°C	-15°C	-10°C	-5°C	0°C	5°C	10°C				
OP-MSYM009MY	114X7108 114X7133	W05 W09	A1	G	27	0.87	1.08	1.29	1.52	1.75	2.00	2.00	-	10	32	
					32	0.78	0.96	1.16	1.37	1.59	1.82					
					38	0.67	0.83	1.01	1.19	1.39	1.60					
					43	-	0.72	0.88	1.05	1.23	1.42					
OP-MSYM012MP	114X7109 114X7134	W05 W09	A1	G	27	1.12	1.37	1.64	1.92	2.21	2.50	1.99	-	10	34	
					32	0.99	1.22	1.47	1.72	1.99	2.27					
					38	0.85	1.05	1.26	1.49	1.74	1.99					
					43	-	0.90	1.10	1.30	1.53	1.76					
OP-MSYM014MP	114X7110 114X7135	W05 W09	A1	G	27	1.18	1.43	1.70	1.98	2.27	2.58	1.68	-	10	29	
					32	1.07	1.30	1.55	1.81	2.09	2.39					
					38	0.94	1.15	1.37	1.62	1.88	2.15					
					43	-	1.02	1.23	1.45	1.70	1.96					
OP-MSTM009DY	114X7229	W05	A1 + A2L	G	27	0.87	1.08	1.29	1.52	1.75	2.00	2.04	-	10	32	
					32	0.78	0.96	1.16	1.37	1.59	1.82					
					38	0.67	0.83	1.01	1.19	1.39	1.60					
					43	-	0.72	0.88	1.05	1.23	1.42					
OP-MSTM012DP	114X7230	W05	A1 + A2L	G	27	1.12	1.37	1.64	1.92	2.21	2.50	1.85	-	10	32	
					32	0.99	1.22	1.47	1.72	1.99	2.27					
					38	0.85	1.05	1.26	1.49	1.74	1.99					
					43	-	0.90	1.10	1.30	1.53	1.76					
OP-MSTM014DP	114X7231	W05	A1 + A2L	G	27	1.18	1.43	1.70	1.98	2.27	2.58	1.78	-	10	33	
					32	1.07	1.30	1.55	1.81	2.09	2.39					
					38	0.94	1.15	1.37	1.62	1.88	2.15					
					43	-	1.02	1.23	1.45	1.70	1.96					
OP-MSTM018DX	114X7232	W05	A1 + A2L	G	27	1.24	1.49	1.75	2.03	2.32	2.63	1.65	-	10	39	
					32	1.13	1.36	1.60	1.86	2.14	2.43					
					38	1.00	1.21	1.43	1.67	1.92	2.20					
					43	-	1.08	1.28	1.50	1.74	2.00					
OP-MSTM022DS	114X7233	W05	A1 + A2L	G	27	1.80	2.20	2.64	3.14	3.68	4.25	1.90	-	10	39	
					32	1.63	1.99	2.40	2.86	3.35	3.88					
					38	1.42	1.75	2.12	2.52	2.96	3.44					
					43	-	1.55	1.88	2.24	2.63	3.06					
OP-MSTM026DS	114X7234	W05	A1 + A2L	G	27	2.21	2.70	3.22	3.77	4.33	4.91	1.83	-	10	39	
					32	1.95	2.40	2.87	3.37	3.89	4.44					
					38	1.64	2.03	2.45	2.90	3.37	3.88					
					43	-	1.73	2.11	2.51	2.94	3.41					
OP-MSTM026DS	114X7235	W05	A1 + A2L	E	27	2.23	2.73	3.26	3.80	4.38	4.96	1.79	-	10	39	
					32	1.97	2.42	2.90	3.40	3.93	4.49					
					38	1.65	2.05	2.48	2.93	3.41	3.92					
					43	-	1.75	2.13	2.54	2.97	3.44					
OP-MSTM034DS	114X7237	W05	A1 + A2L	G	27	2.24	2.91	3.66	4.50	5.43	6.43	1.79	-	10	39	
					32	2.01	2.63	3.34	4.12	5.00	5.95					
					38	1.72	2.29	2.94	3.67	4.48	5.37					
					43	-	2.00	2.61	3.28	4.05	4.88					
OP-MSTM034DS	114X7236	W05	A1 + A2L	E	27	2.27	2.94	3.70	4.54	5.48	6.49	1.75	-	10	39	
					32	2.03	2.66	3.37	4.17	5.05	6.01					
					38	1.74	2.31	2.97	3.71	4.53	5.43					
					43	-	2.02	2.63	3.32	4.09	4.93					

This table continues on the next page

MBP

(1) G - Compressor 230V/1~/50Hz, fan 230V/1~/50Hz

E - Compressor 400V/3~/50Hz, fan 230V/1~/50Hz

(2) Nominal conditions (EN13215), Evaporating temperatures at Mid point, Superheat 10K, Subcooling 0K

(3) Rated conditions (EN13215), Evaporating temperature (Mid point) -10°C, Ambient air temperature +32°C, Return Gas Temperature 20°C, Subcooling 0K



For regular updates and detailed capacities, please refer to **Coolselector®2** software



Model	Code	Version	Refrigerant class	Electrical code (1)	Tamb [°C]	Cooling capacity Q [kW] (2)							EcoDesign (3)		Min Fuse rating gL/gG (A)	Sound pressure level @ 10m dB(A)
						Evaporating Temperature (Mid point) [°C]							COP	SEPR		
						-20°C	-15°C	-10°C	-5°C	0°C	5°C	10°C				
OP-MSBM018AJ	114X7111 114X7136	W05 W09	A1	G	27	1.15	1.47	1.85	2.29	2.79	3.36	-	2.05	-	10	33
					32	1.05	1.35	1.70	2.12	2.58	3.12	-				
					38	-	1.21	1.53	1.91	2.33	2.83	-				
					43	-	-	1.38	1.73	2.13	2.58	-				
OP-MSBM024AJ	114X7097 114X7194	W05 W09	A1	G	27	1.43	1.86	2.35	2.92	3.55	4.27	-	2.22	-	16	33
					32	1.29	1.69	2.15	2.68	3.27	3.94	-				
					38	-	1.49	1.91	2.40	2.93	3.55	-				
					43	-	-	1.71	2.16	2.66	3.23	-				
OP-MSBM026AJ	114X7190 114X7083	W05 W09	A1	G	27	1.62	2.07	2.57	3.16	3.81	4.55	-	2.19	-	16	36
					32	1.47	1.89	2.36	2.91	3.52	4.22	-				
					38	-	1.68	2.11	2.62	3.17	3.81	-				
					43	-	-	1.91	2.37	2.89	3.48	-				
OP-MSBM026AJ	114X7093 114X7192	W05 W09	A1	E	27	1.60	2.07	2.58	3.18	3.84	4.59	-	2.09	-	10	36
					32	1.44	1.88	2.37	2.93	3.55	4.26	-				
					38	-	1.66	2.11	2.63	3.20	3.85	-				
					43	-	-	1.89	2.38	2.91	3.51	-				
OP-MSBM034AJ	114X7094 114X7193	W05 W09	A1	E	27	2.02	2.57	3.18	3.88	4.64	5.49	-	1.92	-	10	37
					32	1.84	2.35	2.93	3.58	4.30	5.10	-				
					38	-	2.09	2.63	3.23	3.88	4.62	-				
					43	-	-	2.37	2.93	3.54	4.22	-				
OP-MSXM034ML	114X7062 114X7196	W05 W09	A1	E	27	2.59	3.21	3.90	4.70	5.58	6.58	-	2.29	-	10	38
					32	2.40	2.99	3.64	4.39	5.23	6.17	-				
					38	2.17	2.70	3.31	4.01	4.79	5.67	-				
					43	-	-	3.02	3.67	4.40	5.23	-				
OP-MSXM034ML	114X7061 114X7195	W05 W09	A1	G	27	2.58	3.20	3.90	4.70	5.59	6.59	-	2.35	-	25	38
					32	2.41	2.99	3.65	4.41	5.24	6.19	-				
					38	2.19	2.73	3.34	4.04	4.82	5.70	-				
					43	-	-	3.07	3.72	4.45	5.27	-				
OP-MSXM044ML	114X7162 114X7212	W05 W09	A1	E	27	3.27	4.03	4.87	5.84	6.89	8.07	-	2.18	-	16	38
					32	3.05	3.76	4.55	5.45	6.44	7.55	-				
					38	2.78	3.43	4.15	4.98	5.88	6.91	-				
					43	-	-	3.81	4.58	5.42	6.37	-				
OP-MSXM044ML	114X7161 114X7211	W05 W09	A1	G	27	3.18	3.94	4.79	5.77	6.84	8.04	-	2.06	-	32	38
					32	2.97	3.69	4.49	5.42	6.43	7.57	-				
					38	2.71	3.376	4.11	4.97	5.91	6.98	-				
					43	-	-	3.79	4.59	5.47	6.46	-				
OP-MSXM046ML	114X7064 114X7198	W05 W09	A1	E	27	3.45	4.26	5.16	6.18	7.30	8.55	-	2.22	-	16	38
					32	3.19	3.95	4.79	5.75	6.81	7.99	-				
					38	2.87	3.56	4.33	5.22	6.19	7.29	-				
					43	-	-	3.94	4.76	5.66	6.68	-				
OP-MSXM046ML	114X7063 114X7197	W05 W09	A1	G	27	3.47	4.28	5.18	6.22	7.36	8.63	-	2.13	-	32	38
					32	3.22	3.98	4.83	5.81	6.88	8.09	-				
					38	2.91	3.61	4.39	5.29	6.28	7.41	-				
					43	-	-	4.02	4.85	5.77	6.82	-				
OP-MSXM057ML	114X7066 114X7200	W05 W09	A1	E	27	4.17	5.14	6.21	7.41	8.71	10.14	-	-	3.47	16	38
					32	3.82	4.73	5.73	6.86	8.08	9.42	-				
					38	3.38	4.22	5.13	6.17	7.28	8.52	-				
					43	-	-	4.61	5.57	6.598	7.73	-				

This table continues on the next page

MBP

(1) G - Compressor 230V/1~/50Hz, fan 230V/1~/50Hz
 E - Compressor 400V/3~/50Hz, fan 230V/1~/50Hz

(2) Nominal conditions (EN13215), Evaporating temperatures at Mid point, Superheat 10K, Subcooling 0K

(3) Rated conditions (EN13215), Evaporating temperature (Mid point) -10°C, Ambient air temperature +32°C, Return Gas Temperature 20°C, Subcooling 0K



For regular updates and detailed capacities, please refer to **Coolselector®2** software



Model	Code	Version	Refrigerant class	Electrical code (1)	Tamb [°C]	Cooling capacity Q [kW] (2)							EcoDesign (3)		Min Fuse rating gL/gG (A)	Sound pressure level @ 10m dB(A)
						Evaporating Temperature (Mid point) [°C]							COP	SEPR		
						-20°C	-15°C	-10°C	-5°C	0°C	5°C	10°C				
OP-MSXM057ML	114X7065 114X7199	W05 W09	A1	G	27	4.22	5.19	6.27	7.49	8.81	10.28	-	-	3.24	32	38
					32	3.90	4.80	5.80	6.94	8.18	9.56	-				
					38	3.49	4.31	5.22	6.25	7.38	8.65	-				
					43	-	-	4.70	5.65	6.68	7.85	-				
OP-MSXM068ML	114X7067 114X7201	W05 W09	A1	G	27	5.26	6.49	7.87	9.46	11.20	13.18	-	-	3.59	40	39
					32	4.88	6.04	7.33	8.83	10.49	12.36	-				
					38	4.40	5.47	6.67	8.05	9.59	11.35	-				
					43	-	-	6.09	7.38	8.81	10.47	-				
OP-MSXM068ML	114X7068 114X7202	W05 W09	A1	E	27	5.30	6.52	7.89	9.48	11.22	13.19	-	-	3.78	16	39
					32	4.90	6.06	7.35	8.84	10.49	12.36	-				
					38	4.41	5.47	6.66	8.04	9.57	11.32	-				
					43	-	-	6.06	7.34	8.77	10.41	-				
OP-MSXM080ML	114X7069 114X7203	W05 W09	A1	G	27	6.06	7.45	8.99	10.75	12.65	14.77	-	-	3.34	40	39
					32	5.65	6.96	8.40	10.05	11.84	13.84	-				
					38	5.14	6.34	7.67	9.18	10.83	12.68	-				
					43	-	-	7.03	8.42	9.94	11.67	-				
OP-MSXM080ML	114X7070 114X7204	W05 W09	A1	E	27	6.15	7.55	9.10	10.87	12.80	14.95	-	-	3.78	20	39
					32	5.69	7.00	8.45	10.12	11.94	13.98	-				
					38	5.11	6.31	7.65	9.18	10.87	12.76	-				
					43	-	-	6.95	8.38	9.94	11.71	-				
OP-MSXM099ML	114X7071 114X7205	W05 W09	A1	E	27	7.49	9.24	11.18	13.38	15.75	18.40	-	-	3.77	20	39
					32	6.93	8.57	10.38	12.44	14.66	17.15	-				
					38	6.23	7.72	9.37	11.25	13.29	15.58	-				
					43	-	-	8.50	10.22	12.10	14.22	-				
OP-MSXM108ML	114X7072 114X7206	W05 W09	A1	E	27	8.02	9.85	11.88	14.19	16.69	19.49	-	-	3.63	20	39
					32	7.40	9.11	11.01	13.17	15.52	18.16	-				
					38	6.63	8.19	9.92	11.90	14.06	16.49	-				
					43	-	-	8.98	10.79	12.78	15.04	-				

MBP
(1) G - Compressor 230V/1~/50Hz, fan 230V/1~/50Hz

E - Compressor 400V/3~/50Hz, fan 230V/1~/50Hz

(2) Nominal conditions (EN13215), Evaporating temperatures at Mid point, Superheat 10K, Subcooling 0K

(3) Rated conditions (EN13215), Evaporating temperature (Mid point) -10°C, Ambient air temperature +32°C, Return Gas Temperature 20°C, Subcooling 0K

 For regular updates and detailed capacities, please refer to **Coolselector®2** software


Model	Code	Version	Refrigerant class	Electrical code (1)	T _{amb} [°C]	Cooling capacity Q [kW] (2)							EcoDesign (3)		Min Fuse rating gL/gG (A)	Sound pressure level @ 10m dB(A)
						Evaporating Temperature (Mid point) [°C]							COP	SEPR		
						-20°C	-15°C	-10°C	-5°C	0°C	5°C	10°C				
OP-MSTM008DY	114X7226	W05	A1 + A2L	G	27	0.57	0.73	0.91	1.09	1.29	1.50	1.72	2.25	-	10	32
					32	0.51	0.65	0.81	0.98	1.17	1.36	1.56				
					38	0.44	0.56	0.70	0.85	1.02	1.19	1.38				
					43	0.38	0.49	0.61	0.74	0.89	1.05	1.23				
OP-MSTM009DY	114X7229	W05	A1 + A2L	G	27	0.66	0.85	1.05	1.26	1.48	1.72	1.96	2.21	-	10	32
					32	0.59	0.76	0.94	1.13	1.34	1.56	1.78				
					38	0.51	0.65	0.81	0.98	1.17	1.36	1.57				
					43	0.44	0.57	0.70	0.86	1.02	1.20	1.40				
OP-MSTM012DP	114X7230	W05	A1 + A2L	G	27	0.90	1.14	1.39	1.65	1.92	2.20	2.48	1.97	-	10	32
					32	0.80	1.02	1.24	1.48	1.73	1.98	2.25				
					38	0.68	0.87	1.07	1.28	1.50	1.73	1.98				
					43	0.59	0.75	0.93	1.11	1.31	1.52	1.75				
OP-MSTM014DP	114X7231	W05	A1 + A2L	G	27	-	1.16	1.42	1.69	1.99	2.30	2.64	1.87	-	10	33
					32	-	1.05	1.28	1.54	1.82	2.12	2.44				
					38	-	0.92	1.13	1.36	1.62	1.90	2.20				
					43	-	0.81	1.00	1.22	1.45	1.71	2.00				
OP-MSOM018AJ	114X7111 114X7136	W05 W09	A1	G	27	1.01	1.29	1.61	1.98	2.40	2.87	-	1.69	-	10	33
					32	0.92	1.17	1.47	1.81	2.19	2.63	-				
					38	0.80	1.03	1.30	1.61	1.95	2.35	-				
					43	0.71	0.92	1.15	1.43	-	-	-				
OP-MSTM018DX	114X7232	W05	A1 + A2L	G	27	1.00	1.26	1.54	1.83	2.14	2.46	2.79	1.71	-	10	39
					32	0.89	1.12	1.37	1.64	1.93	2.22	2.53				
					38	0.75	0.96	1.18	1.42	1.67	1.94	2.23				
					43	0.65	0.82	1.02	1.23	1.46	1.71	1.97				
OP-MSOM024AJ	114X7097 114X7194	W05 W09	A1	G	27	1.27	1.65	2.07	2.57	3.12	3.74	-	1.87	-	16	33
					32	1.14	1.49	1.88	2.34	2.85	3.42	-				
					38	0.98	1.29	1.65	2.06	2.52	3.04	-				
					43	0.85	1.13	1.45	1.83	-	-	-				
OP-MSOM026AJ	114X7093 114X7192	W05 W09	A1	E	27	1.41	1.82	2.27	2.79	3.36	4.01	-	1.74	-	10	36
					32	1.26	1.64	2.06	2.54	3.07	3.67	-				
					38	1.08	1.43	1.81	2.24	2.72	3.27	-				
					43	0.93	1.24	1.59	1.99	-	-	-				
OP-MSOM026AJ	114X7083 114X7190	W05 W09	A1	G	27	1.44	1.83	2.27	2.78	3.34	3.98	-	1.84	-	16	36
					32	1.30	1.66	2.07	2.54	3.06	3.65	-				
					38	1.13	1.46	1.82	2.24	2.71	3.25	-				
					43	0.99	1.29	1.62	2.00	-	-	-				
OP-MSTM022DS	114X7233	W05	A1 + A2L	G	27	1.46	1.82	2.24	2.70	3.22	3.79	4.41	1.98	-	10	39
					32	1.30	1.64	2.02	2.45	2.93	3.45	4.03				
					38	1.12	1.42	1.77	2.15	2.58	3.05	3.56				
					43	0.97	1.25	1.56	1.90	2.29	2.71	3.17				
OP-MSTM026DS	114X7234	W05	A1 + A2L	G	27	1.67	2.14	2.64	3.17	3.72	4.31	4.91	1.89	-	10	39
					32	1.46	1.88	2.33	2.81	3.32	3.87	4.44				
					38	1.21	1.57	1.97	2.39	2.85	3.35	3.87				
					43	1.01	1.32	1.67	2.05	2.46	2.91	3.39				
OP-MSTM026DS	114X7235	W05	A1 + A2L	E	27	1.69	2.16	2.67	3.20	3.76	4.35	4.96	1.85	-	10	39
					32	1.48	1.90	2.36	2.84	3.36	3.91	4.48				
					38	1.23	1.59	1.99	2.42	2.88	3.38	3.91				
					43	1.02	1.34	1.68	2.07	2.48	2.94	3.43				

This table continues on the next page

MBP

(1) G - Compressor 230V/1~/50Hz, fan 230V/1~/50Hz

E - Compressor 400V/3~/50Hz, fan 230V/1~/50Hz

(2) Nominal conditions (EN13215), Evaporating temperatures at Mid point, Superheat 10K, Subcooling 0K

(3) Rated conditions (EN13215), Evaporating temperature (Mid point) -10°C, Ambient air temperature +32°C, Return Gas Temperature 20°C, Subcooling 0K


 For regular updates and detailed capacities, please refer to **Coolselector®2** software


Model	Code	Version	Refrigerant class	Electrical code (1)	Tamb [°C]	Cooling capacity Q [kW] (2)							EcoDesign (3)		Min Fuse rating gL/gG (A)	Sound pressure level @ 10m dB(A)
						Evaporating Temperature (Mid point) [°C]							COP	SEPR		
						-20°C	-15°C	-10°C	-5°C	0°C	5°C	10°C				
OP-MSTM034DS	114X7237	W05	A1 + A2L	G	27	-	2.26	2.95	3.73	4.62	5.59	6.65	1.86	-	10	39
					32	-	2.01	2.66	3.39	4.22	5.14	6.15				
					38	-	1.71	2.30	2.97	3.74	4.59	5.54				
					43	-	1.45	2.00	2.62	3.34	4.13	5.02				
OP-MSTM034DS	114X7236	W05	A1 + A2L	E	27	-	2.28	2.98	3.77	4.66	5.64	6.71	1.82	-	10	39
					32	-	2.03	2.68	3.42	4.27	5.19	6.21				
					38	-	1.73	2.32	3.00	3.78	4.64	5.59				
					43	-	1.47	2.02	2.65	3.37	4.17	5.07				
OP-MSOM034AJ	114X7094 114X7193	W05 W09	A1	E	27	1.83	2.32	2.88	3.51	4.20	4.99	-	1.76	-	10	37
					32	1.65	2.12	2.63	3.21	3.86	4.58	-				
					38	1.44	1.86	2.32	2.85	3.44	4.09	-				
					43	1.25	1.64	2.07	2.55	-	-	-				
OP-MSOM034AJ	114X7084 114X7191	W05 W09	A1	G	27	1.83	2.34	2.92	3.57	4.29	5.11	-	1.70	-	16	37
					32	1.65	2.13	2.66	3.27	3.93	4.68	-				
					38	1.43	1.86	2.34	2.89	3.49	4.16	-				
					43	1.24	1.64	2.07	2.57	-	-	-				
OP-MSXM034ML	114X7062 114X7196	W05 W09	A1	E	27	2.55	3.13	3.78	4.53	5.36	6.29	-	2.20	-	10	38
					32	2.36	2.89	3.50	4.20	4.96	5.83	-				
					38	2.12	2.61	3.15	3.78	4.48	5.27	-				
					43	1.92	2.36	2.85	3.43	-	-	-				
OP-MSXM034ML	114X7061 114X7195	W05 W09	A1	G	27	2.57	3.15	3.81	4.56	5.39	6.32	-	2.20	-	25	38
					32	2.37	2.91	3.52	4.23	5.00	5.87	-				
					38	2.13	2.62	3.17	3.81	4.51	5.32	-				
					43	1.93	2.37	2.87	3.45	-	-	-				
OP-MSXM044ML	114X7162 114X7212	W05 W09	A1	E	27	3.25	4.00	4.82	5.76	6.79	7.94	-	2.22	-	16	38
					32	3.00	3.69	4.45	5.33	6.28	7.36	-				
					38	2.69	3.31	4.00	4.79	5.66	6.64	-				
					43	2.42	2.98	3.61	4.33	-	-	-				
OP-MSXM044ML	114X7161 114X7211	W05 W09	A1	G	27	3.25	4.00	4.84	5.80	6.84	8.01	-	2.12	-	32	38
					32	3.00	3.70	4.49	5.38	6.35	7.45	-				
					38	2.69	3.33	4.04	4.85	5.74	6.74	-				
					43	2.43	3.01	3.65	4.40	-	-	-				
OP-MSXM046ML	114X7064 114X7198	W05 W09	A1	E	27	3.43	4.22	5.10	6.10	7.20	8.43	-	-	3.62	16	38
					32	3.15	3.88	4.70	5.64	6.66	7.81	-				
					38	2.81	3.47	4.21	5.06	5.99	7.04	-				
					43	2.52	3.12	3.79	4.56	-	-	-				
OP-MSXM046ML	114X7063 114X7197	W05 W09	A1	G	27	3.45	4.24	5.11	6.10	7.18	8.39	-	-	3.37	32	38
					32	3.19	3.92	4.72	5.64	6.64	7.77	-				
					38	2.87	3.52	4.24	5.07	5.97	7.00	-				
					43	2.59	3.17	3.82	4.575	-	-	-				
OP-MSXM057ML	114X7065 114X7199	W05 W09	A1	G	27	4.28	5.26	6.33	7.55	8.87	10.35	-	-	3.44	32	38
					32	3.95	4.85	5.85	6.97	8.20	9.57	-				
					38	3.54	4.35	5.23	6.24	7.34	8.58	-				
					43	3.19	3.91	4.70	5.61	-	-	-				
OP-MSXM057ML	114X7066 114X7200	W05 W09	A1	E	27	4.24	5.20	6.27	7.48	8.79	10.26	-	-	3.67	16	38
					32	3.89	4.78	5.76	6.88	8.10	9.47	-				
					38	3.45	4.24	5.12	6.13	7.23	8.47	-				
					43	3.07	3.77	4.56	5.47	-	-	-				

This table continues on the next page

MBP
(1) G - Compressor 230V/1~/50Hz, fan 230V/1~/50Hz

E - Compressor 400V/3~/50Hz, fan 230V/1~/50Hz

(2) Nominal conditions (EN13215), Evaporating temperatures at Mid point, Superheat 10K, Subcooling 0K

(3) Rated conditions (EN13215), Evaporating temperature (Mid point) -10°C, Ambient air temperature +32°C, Return Gas Temperature 20°C, Subcooling 0K

 For regular updates and detailed capacities, please refer to **Coolselector®2** software


Model	Code	Version	Refrigerant class	Electrical code (1)	Tamb [°C]	Cooling capacity Q [kW] (2)							EcoDesign (3)		Min Fuse rating gL/g(A)	Sound pressure level @ 10m dB(A)
						Evaporating Temperature (Mid point) [°C]							COP	SEPR		
						-20°C	-15°C	-10°C	-5°C	0°C	5°C	10°C				
OP-MSXM068ML	114X7068 114X7202	W05 W09	A1	E	27	5.17	6.34	7.66	9.18	10.85	12.72	-	-	3.68	16	39
					32	4.77	5.86	7.08	8.49	10.04	11.79	-				
					38	4.29	5.26	6.36	7.63	9.044	10.64	-				
					43	3.87	4.75	5.74	6.89	-	-	-				
OP-MSXM068ML	114X7067 114X7201	W05 W09	A1	G	27	5.19	6.35	7.65	9.15	10.79	12.63	-	-	3.48	40	39
					32	4.80	5.87	7.07	8.46	9.98	11.7	-				
					38	4.31	5.27	6.35	7.60	8.98	10.55	-				
					43	3.90	4.76	5.73	6.86	-	-	-				
OP-MSXM080ML	114X7069 114X7203	W05 W09	A1	G	27	6.01	7.39	8.92	10.67	12.58	14.71	-	-	3.14	40	39
					32	5.53	6.80	8.22	9.85	11.63	13.63	-				
					38	4.92	6.07	7.35	8.82	10.45	12.27	-				
					43	4.41	5.44	6.60	7.93	-	-	-				
OP-MSXM080ML	114X7070 114X7204	W05 W09	A1	E	27	6.02	7.38	8.89	10.62	12.49	14.59	-	-	3.73	20	39
					32	5.52	6.78	8.18	9.79	11.55	13.52	-				
					38	4.89	6.03	7.30	8.76	10.37	12.17	-				
					43	4.35	5.38	6.54	7.87	-	-	-				
OP-MSXM099ML	114X7071 114X7205	W05 W09	A1	E	27	7.45	9.11	10.96	13.06	15.33	17.85	-	-	3.62	20	39
					32	6.85	8.38	10.09	12.03	14.13	16.48	-				
					38	6.11	7.47	8.98	10.72	12.62	14.74	-				
					43	5.46	6.67	8.02	9.57	-	-	-				
OP-MSXM108ML	114X7072 114X7206	W05 W09	A1	E	27	8.05	9.87	11.88	14.16	16.63	19.37	-	-	3.71	20	39
					32	7.35	9.03	10.89	13.00	15.3	17.85	-				
					38	6.49	7.98	9.63	11.54	13.62	15.94	-				
					43	5.74	7.07	8.55	10.27	-	-	-				

MBP
(1) G - Compressor 230V/1~/50Hz, fan 230V/1~/50Hz

E - Compressor 400V/3~/50Hz, fan 230V/1~/50Hz

(2) Nominal conditions (EN13215), Evaporating temperatures at Mid point, Superheat 10K, Subcooling 0K

(3) Rated conditions (EN13215), Evaporating temperature (Mid point) -10°C, Ambient air temperature +32°C, Return Gas Temperature 20°C, Subcooling 0K

 For regular updates and detailed capacities, please refer to **Coolselector®2** software


Model	Code	Version	Refrigerant class	Electrical code (1)	Tamb [°C]	Cooling capacity Q [kW] (2)							EcoDesign (3)		Min Fuse rating gL/gG (A)	Sound pressure level @ 10m dB(A)
						Evaporating Temperature (Mid point) [°C]							COP	SEPR		
						-20°C	-15°C	-10°C	-5°C	0°C	5°C	10°C				
OP-MSTM008DY	114X7226	W05	A1 + A2L	G	27	0.59	0.75	0.92	1.12	1.32	1.54	1.77	2.06	-	10	32
					32	0.53	0.68	0.84	1.01	1.21	1.41	1.64				
					38	0.46	0.59	0.73	0.89	1.07	1.26	1.47				
					43	0.40	0.52	0.65	0.79	0.96	1.14	1.33				
OP-MSYM009MY	114X7108 114X7133	W05 W09	A1	G	27	-	0.82	1.01	1.22	1.45	1.69	-	2.00	-	10	32
					32	-	0.74	0.92	1.11	1.32	1.55	-				
					38	-	0.65	0.80	0.98	1.17	1.39	-				
					43	-	0.57	0.71	0.87	1.05	1.25	-				
OP-MSTM009DY	114X7229	W05	A1 + A2L	G	27	0.66	0.83	1.01	1.22	1.43	1.67	1.91	2.01	-	10	32
					32	0.59	0.75	0.92	1.11	1.31	1.53	1.76				
					38	0.52	0.66	0.81	0.98	1.16	1.37	1.58				
					43	0.46	0.58	0.72	0.87	1.04	1.23	1.44				
OP-MSYM012MP	114X7109 114X7134	W05 W09	A1	G	27	-	1.12	1.37	1.64	1.92	2.22	-	2.02	-	10	34
					32	-	1.01	1.24	1.49	1.76	2.04	-				
					38	-	0.89	1.09	1.32	1.56	1.82	-				
					43	-	0.78	0.97	1.17	1.40	1.64	-				
OP-MSTM012DP	114X7230	W05	A1 + A2L	G	27	0.89	1.11	1.35	1.60	1.87	2.15	2.44	1.83	-	10	32
					32	0.80	1.00	1.22	1.46	1.71	1.97	2.25				
					38	0.70	0.88	1.07	1.29	1.51	1.76	2.02				
					43	0.61	0.77	0.95	1.14	1.35	1.58	1.83				
OP-MSTM014DP	114X7231	W05	A1 + A2L	G	27	0.91	1.15	1.40	1.68	1.97	2.29	2.63	1.73	-	10	33
					32	0.84	1.05	1.28	1.54	1.82	2.12	2.44				
					38	0.74	0.93	1.14	1.37	1.63	1.91	2.22				
					43	0.66	0.83	1.02	1.24	1.48	1.74	2.03				
OP-MSTM018DX	114X7232	W05	A1 + A2L	G	27	0.96	1.21	1.47	1.76	2.07	2.40	2.75	1.64	-	10	39
					32	0.88	1.10	1.34	1.61	1.90	2.22	2.55				
					38	0.78	0.98	1.19	1.44	1.71	2.00	2.32				
					43	0.70	0.87	1.07	1.29	1.54	1.82	2.12				
OP-MSYM014MP	114X7110 114X7135	W05 W09	A1	G	27	-	1.14	1.40	1.69	2.01	2.34	-	1.69	-	10	29
					32	-	1.04	1.28	1.55	1.85	2.17	-				
					38	-	0.92	1.14	1.39	1.66	1.96	-				
					43	-	0.82	1.02	1.25	1.50	1.78	-				
OP-MSBM018AJ	114X7111 114X7136	W05 W09	A1	G	27	1.19	1.49	1.83	2.22	2.67	3.16	-	1.94	-	10	33
					32	1.08	1.36	1.67	2.03	2.44	2.90	-				
					38	-	-	1.49	1.81	2.17	2.57	-				
					43	-	-	1.33	1.62	1.94	2.30	-				
OP-MSTM022DS	114X7233	W05	A1 + A2L	G	27	1.44	1.81	2.23	2.71	3.24	3.83	4.47	1.87	-	10	39
					32	1.29	1.63	2.02	2.46	2.95	3.49	4.08				
					38	1.10	1.41	1.76	2.16	2.60	3.09	3.62				
					43	0.95	1.24	1.55	1.91	2.31	2.75	3.23				
OP-MSBM024AJ	114X7097 114X7194	W05 W09	A1	G	27	-	1.84	2.30	2.84	3.44	-	-	2.08	-	16	33
					32	-	1.654	2.08	2.57	3.13	-	-				
					38	-	1.432	1.82	2.26	2.75	-	-				
					43	-	1.248	1.60	2	2.45	-	-				
OP-MSBM026AJ	114X7093 114X7192	W05 W09	A1	E	27	1.61	2.04	2.54	3.10	3.72	4.41	-	1.96	-	10	36
					32	1.43	1.84	2.30	2.82	3.40	4.04	-				
					38	1.21	1.59	2.01	2.48	3.00	3.58	-				
					43	-	1.38	1.77	2.20	2.67	3.20	-				

This table continues on the next page

MBP

(1) **G** - Compressor 230V/1~/50Hz, fan 230V/1~/50Hz
E - Compressor 400V/3~/50Hz, fan 230V/1~/50Hz

(2) Nominal conditions (EN13215), Evaporating temperatures at Mid point, Superheat 10K, Subcooling 0K

(3) Rated conditions (EN13215), Evaporating temperature (Mid point) -10°C, Ambient air temperature +32°C, Return Gas Temperature 20°C, Subcooling 0K



For regular updates and detailed capacities, please refer to **Coolselector®2** software



Model	Code	Version	Refrigerant class	Electrical code (1)	T _{amb} [°C]	Cooling capacity Q [kW] (2)							EcoDesign (3)		Min Fuse rating gL/gG (A)	Sound pressure level @ 10m dB(A)
						Evaporating Temperature (Mid point) [°C]							COP	SEPR		
						-20°C	-15°C	-10°C	-5°C	0°C	5°C	10°C				
OP-MSBM026AJ	114X7083 114X7190	W05 W09	A1	G	27	1.64	2.05	2.53	3.08	3.70	4.38	-	2.05	-	16	36
					32	1.47	1.86	2.30	2.80	3.37	4.00	-				
					38	1.27	1.62	2.02	2.47	2.98	3.55	-				
					43	-	1.42	1.79	2.20	2.66	3.17	-				
OP-MSTM026DS	114X7234	W05	A1 + A2L	G	27	1.74	2.19	2.66	3.17	3.71	4.29	4.89	1.75	-	10	39
					32	1.55	1.95	2.39	2.86	3.37	3.91	4.48				
					38	1.31	1.67	2.07	2.49	2.96	3.46	4.00				
					43	1.12	1.44	1.80	2.19	2.62	3.09	3.59				
OP-MSTM026DS	114X7235	W05	A1 + A2L	E	27	1.76	2.21	2.69	3.20	3.75	4.33	4.94	1.715	-	10	39
					32	1.56	1.97	2.41	2.89	3.40	3.95	4.53				
					38	1.33	1.69	2.09	2.52	2.99	3.50	4.04				
					43	1.13	1.45	1.81	2.21	2.64	3.12	3.63				
OP-MSTM034DS	114X7237	W05	A1 + A2L	G	27	1.68	2.31	3.04	3.87	4.81	5.85	6.99	1.71	-	10	39
					32	1.47	2.05	2.74	3.51	4.40	5.38	6.47				
					38	1.21	1.74	2.36	3.08	3.90	4.81	5.83				
					43	0.98	1.47	2.05	2.71	3.47	4.33	5.29				
OP-MSTM034DS	114X7236	W05	A1 + A2L	E	27	1.70	2.33	3.07	3.91	4.85	5.90	7.06	1.67	-	10	39
					32	1.48	2.08	2.76	3.55	4.44	5.44	6.53				
					38	1.22	1.76	2.39	3.11	3.94	4.86	5.89				
					43	0.99	1.49	2.07	2.74	3.51	4.37	5.35				
OP-MSBM034AJ	114X7094 114X7193	W05 W09	A1	E	27	2.03	2.54	3.12	3.77	4.49	5.27	-	1.89	-	10	37
					32	1.82	2.30	2.84	3.44	4.10	4.83	-				
					38	1.57	2.01	2.50	3.04	3.64	4.29	-				
					43	-	1.77	2.21	2.71	3.25	3.84	-				
OP-MSBM034AJ	114X7084 114X7191	W05 W09	A1	G	27	2.03	2.56	3.17	3.84	4.59	5.41	-	1.83	-	16	37
					32	1.82	2.32	2.88	3.50	4.19	4.94	-				
					38	1.56	2.01	2.52	3.08	3.70	4.38	-				
					43	-	1.76	2.22	2.73	3.29	3.90	-				
OP-MSXM034ML	114X7062 114X7196	W05 W09	A1	E	27	2.52	3.10	3.76	4.49	5.30	6.19	-	2.13	-	10	38
					32	2.27	2.81	3.42	4.10	4.85	5.67	-				
					38	1.94	2.44	2.99	3.61	4.28	5.03	-				
					43	1.65	2.11	2.62	3.18	3.79	4.47	-				
OP-MSXM034ML	114X7061 114X7195	W05 W09	A1	G	27	2.61	3.17	3.81	4.52	5.32	6.20	-	2.09	-	25	38
					32	2.39	2.91	3.50	4.17	4.91	5.73	-				
					38	2.11	2.58	3.12	3.73	4.41	5.17	-				
					43	1.88	2.31	2.80	3.35	3.98	4.69	-				
OP-MSXM044ML	114X7162 114X7212	W05 W09	A1	E	27	3.26	3.95	4.72	5.59	6.55	7.60	-	2.08	-	16	38
					32	2.98	3.62	4.33	5.13	6.02	7.00	-				
					38	2.62	3.20	3.84	4.56	5.36	6.25	-				
					43	2.30	2.83	3.41	4.05	4.78	5.61	-				
OP-MSXM044ML	114X7161 114X7211	W05 W09	A1	G	27	3.30	4.00	4.80	5.68	6.65	7.71	-	2.05	-	32	38
					32	3.01	3.66	4.39	5.21	6.11	7.10	-				
					38	2.65	3.23	3.89	4.62	5.44	6.34	-				
					43	2.33	2.85	3.45	4.11	4.85	5.68	-				
OP-MSXM046ML	114X7064 114X7198	W05 W09	A1	E	27	3.43	4.15	4.96	5.86	6.85	7.95	-	2.04	-	16	38
					32	3.13	3.80	4.54	5.37	6.29	7.31	-				
					38	2.75	3.35	4.01	4.76	5.59	6.52	-				
					43	2.41	2.95	3.55	4.22	4.98	5.83	-				

This table continues on the next page

MBP

(1) **G** - Compressor 230V/1~/50Hz, fan 230V/1~/50Hz

E - Compressor 400V/3~/50Hz, fan 230V/1~/50Hz

(2) Nominal conditions (EN13215), Evaporating temperatures at Mid point, Superheat 10K, Subcooling 0K

(3) Rated conditions (EN13215), Evaporating temperature (Mid point) -10°C, Ambient air temperature +32°C, Return Gas Temperature 20°C, Subcooling 0K



For regular updates and detailed capacities, please refer to **Coolselector®2** software



Model	Code	Version	Refrigerant class	Electrical code (1)	Tamb [°C]	Cooling capacity Q [kW] (2)							EcoDesign (3)		Min Fuse rating gL/gG (A)	Sound pressure level @ 10m dB(A)
						Evaporating Temperature (Mid point) [°C]							COP	SEPR		
						-20°C	-15°C	-10°C	-5°C	0°C	5°C	10°C				
OP-MSXM046ML	114X7063 114X7197	W05 W09	A1	G	27	3.47	4.21	5.03	5.95	6.96	8.06	-	2.00	-	32	38
					32	3.17	3.85	4.61	5.45	6.39	7.41	-				
					38	2.78	3.39	4.07	4.83	5.67	6.60	-				
					43	2.44	2.98	3.60	4.28	5.05	5.90	-				
OP-MSXM057ML	114X7065 114X7199	W05 W09	A1	G	27	4.02	4.87	5.82	6.87	8.03	9.27	-	-	3.17	32	38
					32	3.67	4.44	5.31	6.28	7.34	8.49	-				
					38	3.23	3.91	4.68	5.53	6.48	7.51	-				
					43	2.85	3.45	4.13	4.89	5.72	6.64	-				
OP-MSXM057ML	114X7066 114X7200	W05 W09	A1	E	27	4.02	4.86	5.81	6.86	8.02	9.26	-	-	3.27	16	38
					32	3.66	4.43	5.30	6.27	7.33	8.48	-				
					38	3.23	3.91	4.67	5.53	6.47	7.50	-				
					43	2.85	3.45	4.13	4.88	5.73	6.68	-				
OP-MSXM068ML	114X7068 114X7202	W05 W09	A1	E	27	5.32	6.50	7.85	9.38	11.09	12.96	-	-	3.89	16	39
					32	4.88	5.98	7.24	8.67	10.28	12.05	-				
					38	4.33	5.33	6.48	7.79	9.26	10.91	-				
					43	3.85	4.76	5.81	7.01	8.37	9.91	-				
OP-MSXM068ML	114X7067 114X7201	W05 W09	A1	G	27	5.33	6.51	7.86	9.39	11.09	12.97	-	-	3.81	40	39
					32	4.88	5.99	7.25	8.68	10.29	12.06	-				
					38	4.33	5.34	6.48	7.79	9.272	10.92	-				
					43	3.86	4.77	5.82	7.02	8.38	9.91	-				
OP-MSXM080ML	114X7069 114X7203	W05 W09	A1	G	27	6.11	7.52	9.10	10.84	12.71	14.71	-	-	3.34	40	39
					32	5.55	6.86	8.33	9.95	11.72	13.61	-				
					38	4.87	6.04	7.37	8.85	10.48	12.24	-				
					43	4.30	5.35	6.55	7.91	9.41	11.04	-				
OP-MSXM080ML	114X7070 114X7204	W05 W09	A1	E	27	6.28	7.62	9.15	10.86	12.77	14.85	-	-	3.89	20	39
					32	5.75	7.00	8.41	10.00	11.78	13.73	-				
					38	5.06	6.19	7.46	8.90	10.52	12.31	-				
					43	4.47	5.47	6.63	7.93	9.40	11.05	-				
OP-MSXM099ML	114X7071 114X7205	W05 W09	A1	E	27	7.34	8.89	10.63	12.55	14.67	16.97	-	-	3.38	20	39
					32	6.69	8.11	9.71	11.50	13.46	15.61	-				
					38	5.87	7.13	8.56	10.17	11.95	13.92	-				
					43	5.14	6.27	7.56	9.02	10.65	12.46	-				
OP-MSXM108ML	114X7072 114X7206	W05 W09	A1	E	27	7.91	9.55	11.38	13.39	15.61	18.04	-	-	3.32	20	39
					32	7.20	8.71	10.39	12.25	14.29	16.55	-				
					38	6.29	7.65	9.15	10.81	12.66	14.71	-				
					43	5.50	6.72	8.06	9.56	11.24	13.12	-				

MBP

(1) G - Compressor 230V/1~/50Hz, fan 230V/1~/50Hz

E - Compressor 400V/3~/50Hz, fan 230V/1~/50Hz

(2) Nominal conditions (EN13215), Evaporating temperatures at Mid point, Superheat 10K, Subcooling 0K

(3) Rated conditions (EN13215), Evaporating temperature (Mid point) -10°C, Ambient air temperature +32°C, Return Gas Temperature 20°C, Subcooling 0K



For regular updates and detailed capacities, please refer to **Coolselector®2** software



Model	Code	Version	Refrigerant class	Electrical code (1)	Tamb [°C]	Cooling capacity Q [kW] (2)							EcoDesign (3)		Min Fuse rating gL/gG (A)	Sound pressure level @ 10m dB(A)
						Evaporating Temperature (Mid point) [°C]							COP	SEPR		
						-20°C	-15°C	-10°C	-5°C	0°C	5°C	10°C				
OP-MSTM008DY	114X7226	W05	A1 + A2L	G	27		0.79	0.97	1.17	1.38	1.60	1.83	2.2	-	10	32
					32		0.71	0.87	1.05	1.25	1.46	1.68				
					38		0.61	0.76	0.92	1.10	1.29	1.49				
					43		0.53	0.66	0.81	0.97	1.15	1.34				
OP-MSTM009DY	114X7229	W05	A1 + A2L	G	27		0.94	1.15	1.38	1.62	1.87	2.13	2.11	-	10	32
					32		0.84	1.03	1.24	1.46	1.70	1.95				
					38		0.72	0.89	1.08	1.29	1.50	1.74				
					43		0.63	0.78	0.95	1.14	1.34	1.56				
OP-MSTM012DP	114X7230	W05	A1 + A2L	G	27		1.16	1.40	1.66	1.92	2.20	2.49	1.9	-	10	32
					32		1.04	1.26	1.50	1.75	2.01	2.28				
					38		0.91	1.10	1.31	1.54	1.78	2.03				
					43		0.79	0.97	1.16	1.36	1.59	1.82				
OP-MSTM014DP	114X7231	W05	A1 + A2L	G	27		1.22	1.47	1.74	2.02	2.32	2.64	1.82	-	10	33
					32		1.10	1.33	1.58	1.85	2.13	2.43				
					38		0.96	1.17	1.39	1.64	1.90	2.19				
					43		0.84	1.03	1.24	1.47	1.71	1.98				
OP-MSTM018DX	114X7232	W05	A1 + A2L	G	27		1.37	1.65	1.95	2.26	2.59	2.93	1.71	-	10	39
					32		1.23	1.49	1.77	2.06	2.37	2.70				
					38		1.07	1.30	1.55	1.82	2.10	2.41				
					43		0.93	1.14	1.37	1.62	1.89	2.17				
OP-MSTM022DS	114X7233	W05	A1 + A2L	G	27		1.85	2.25	2.70	3.19	3.72	4.30	2.02	-	10	39
					32		1.67	2.04	2.45	2.89	3.38	3.91				
					38		1.45	1.78	2.14	2.54	2.98	3.45				
					43		1.27	1.57	1.89	2.25	2.64	3.07				
OP-MSTM026DS	114X7234	W05	A1 + A2L	G	27		2.25	2.71	3.23	3.78	4.39	5.03	1.91	-	10	39
					32		2.02	2.45	2.92	3.43	3.98	4.57				
					38		1.76	2.14	2.56	3.01	3.50	4.02				
					43		1.54	1.89	2.26	2.66	3.10	3.57				
OP-MSTM026DS	114X7235	W05	A1 + A2L	E	27		2.27	2.74	3.26	3.82	4.43	5.08	1.87	-	10	39
					32		2.04	2.48	2.95	3.46	4.02	4.62				
					38		1.78	2.16	2.58	3.04	3.54	4.06				
					43		1.56	1.90	2.28	2.69	3.13	3.61				
OP-MSTM034DS	114X7237	W05	A1 + A2L	G	27		2.59	3.22	3.86	4.52	5.20	5.89	1.78	-	10	39
					32		2.33	2.90	3.49	4.09	4.73	5.38				
					38		2.02	2.52	3.04	3.59	4.17	4.76				
					43		1.77	2.21	2.68	3.17	3.70	4.25				
OP-MSTM034DS	114X7236	W05	A1 + A2L	E	27		2.61	3.25	3.90	4.56	5.25	5.95	1.74	-	10	39
					32		2.35	2.93	3.52	4.13	4.78	5.43				
					38		2.04	2.54	3.07	3.62	4.21	4.81				
					43		1.78	2.23	2.71	3.20	3.74	4.29				

MBP

(1) **G** - Compressor 230V/1Ph/50Hz, fan 230V/1Ph/50Hz
E - Compressor 400V/3Ph/50Hz, fan 230V/1Ph/50Hz

(2) Nominal conditions (EN13215), Evaporating temperatures at Mid point, Superheat 10K, Subcooling 0K

(3) Rated conditions (EN13215), Evaporating temperature (Mid Point) -10°C, Ambient air temperature +32°C, Return Gas Temperature 20°C, Subcooling 0K



For regular updates and detailed capacities, please refer to **Coolselector®2** software



Model	Code	Version	Refrigerant class	Electrical code (1)	T _{amb} [°C]	Cooling capacity Q [kW] (2)							EcoDesign (3)		Min Fuse rating gL/gG (A)	Sound pressure level @ 10m dB(A)
						Evaporating Temperature (Mid point) [°C]							COP	SEPR		
						-20°C	-15°C	-10°C	-5°C	0°C	5°C	10°C				
OP-MSTM008DY	114X7226	W05	A1 + A2L	G	27		0.70	0.87	1.06	1.26	1.47	1.69	2.06	-	10	32
					32		0.63	0.79	0.96	1.15	1.35	1.55				
					38		0.55	0.69	0.84	1.01	1.20	1.38				
					43		-	0.61	0.75	0.90	1.08	1.24				
OP-MSTM009DY	114X7229	W05	A1 + A2L	G	27		0.77	0.95	1.15	1.36	1.58	1.81	1.98	-	10	32
					32		0.70	0.86	1.04	1.24	1.45	1.66				
					38		0.61	0.76	0.92	1.10	1.29	1.48				
					43		-	0.67	0.82	0.98	1.16	1.33				
OP-MSTM012DP	114X7230	W05	A1 + A2L	G	27		1.05	1.28	1.52	1.77	2.04	2.31	1.79	-	10	32
					32		0.95	1.16	1.38	1.62	1.87	2.11				
					38		0.83	1.02	1.22	1.43	1.66	1.88				
					43		-	0.90	1.08	1.28	1.49	1.69				
OP-MSTM014DP	114X7231	W05	A1 + A2L	G	27		1.09	1.32	1.58	1.85	2.13	2.42	1.69	-	10	33
					32		0.98	1.20	1.44	1.69	1.97	2.23				
					38		0.86	1.06	1.28	1.51	1.77	2.00				
					43		-	0.94	1.14	1.36	1.60	1.81				
OP-MSTM018DX	114X7232	W05	A1 + A2L	G	27		1.19	1.47	1.76	2.07	2.40	2.74	1.64	-	10	39
					32		1.06	1.31	1.58	1.87	2.18	2.50				
					38		0.91	1.13	1.37	1.63	1.91	2.21				
					43		0.78	0.98	1.19	1.43	1.68	1.97				
OP-MSTM022DS	114X7233	W05	A1 + A2L	G	27		1.60	2.04	2.55	3.13	3.78	3.91	1.93	-	10	39
					32		1.45	1.86	2.34	2.88	3.48	3.57				
					38		1.27	1.65	2.08	2.57	3.12	3.15				
					43		-	1.47	1.86	2.31	2.82	2.81				
OP-MSTM026DS	114X7234	W05	A1 + A2L	G	27		2.02	2.48	2.98	3.50	4.05	4.16	2.13	-	10	39
					32		1.80	2.23	2.69	3.18	3.70	3.79				
					38		1.55	1.93	2.34	2.79	3.27	3.34				
					43		-	1.68	2.05	2.47	2.92	2.97				
OP-MSTM026DS	114X7235	W05	A1 + A2L	E	27		2.03	2.50	2.99	3.52	4.07	4.62	2.18	-	10	39
					32		1.81	2.24	2.70	3.19	3.72	4.21				
					38		1.55	1.94	2.36	2.81	3.29	3.71				
					43		-	1.69	2.07	2.48	2.93	3.30				
OP-MSTM034DS	114X7237	W05	A1 + A2L	G	27		2.16	2.72	3.29	3.88	4.48	4.55	1.66	-	10	39
					32		1.96	2.46	2.99	3.53	4.09	4.15				
					38		1.72	2.16	2.63	3.11	3.62	3.68				
					43		-	1.91	2.32	2.77	3.23	3.28				
OP-MSTM034DS	114X7236	W05	A1 + A2L	E	27		2.17	2.73	3.31	3.90	4.51	5.06	1.70	-	10	39
					32		1.97	2.48	3.00	3.55	4.11	4.62				
					38		1.73	2.17	2.64	3.13	3.64	4.08				
					43		-	1.92	2.34	2.78	3.25	3.64				

MBP
(1) G - Compressor 230V/1Ph/50Hz, fan 230V/1Ph/50Hz

E - Compressor 400V/3Ph/50Hz, fan 230V/1Ph/50Hz

(2) Nominal conditions (EN13215), Evaporating temperatures at Mid point, Superheat 10K, Subcooling 0K

(3) Rated conditions (EN13215), Evaporating temperature (Mid Point) -10°C, Ambient air temperature +32°C, Return Gas Temperature 20°C, Subcooling 0K

Model	Code	Version	Refrigerant class	Electrical code (1)	T _{amb} [°C]	Cooling capacity Q [kW] (2)							EcoDesign (3)		Min Fuse rating gL/gG (A)	Sound pressure level @ 10m dB(A)
						Evaporating Temperature (Mid point) [°C]							COP	SEPR		
						-15°C	-10°C	-5°C	0°C	5°C	10°C	15°C				
OP-MSSM012SC	114X7238	W05	A1 + A2L	G	27	0.57	0.72	0.89	1.09	1.32	1.58	1.87	1.76	-	10	31
					32	0.52	0.66	0.82	1.02	1.24	1.49	1.77				
					38	0.46	0.59	0.74	0.93	1.13	1.37	1.64				
					43	0.41	0.53	0.68	0.85	1.05	1.28	1.54				
OP-MSSM015SC	114X7239	W05	A1 + A2L	G	27	0.61	0.78	0.98	1.22	1.48	1.78	2.11	1.68	-	10	31
					32	0.58	0.74	0.93	1.15	1.40	1.68	1.99				
					38	0.53	0.68	0.86	1.06	1.29	1.55	1.83				
					43	0.48	0.62	0.79	0.98	1.19	1.43	1.70				
OP-MSSM018SC	114X7240	W05	A1 + A2L	G	27	0.78	0.97	1.18	1.43	1.70	2.02	2.37	1.65	-	10	32
					32	0.70	0.88	1.09	1.33	1.60	1.90	2.25				
					38	0.62	0.79	0.99	1.22	1.48	1.77	2.11				
					43	0.56	0.72	0.91	1.13	1.38	1.67	1.99				
OP-MSSM021SC	114X7241	W05	A1 + A2L	G	27	0.91	1.14	1.40	1.69	2.01	2.36	2.75	1.77	-	10	32
					32	0.83	1.05	1.30	1.58	1.89	2.23	2.61				
					38	0.74	0.95	1.18	1.44	1.74	2.07	2.43				
					43	0.67	0.86	1.08	1.33	1.61	1.92	2.26				
OP-MSSM026CS	114X7248	W05	A1 + A2L	G	27	1.09	1.40	1.76	2.15	2.57	3.04	3.53	1.94	-	10	38
					32	0.98	1.28	1.61	1.99	2.40	2.85	3.33				
					38	0.85	1.13	1.44	1.80	2.19	2.62	3.10				
					43	0.74	1.00	1.30	1.64	2.02	2.43	2.90				
OP-MSSM030CS	114X7249	W05	A1 + A2L	G	27	1.24	1.61	2.03	2.48	2.99	3.53	4.12	1.83	-	10	38
					32	1.12	1.47	1.86	2.30	2.79	3.31	3.89				
					38	0.97	1.30	1.67	2.08	2.54	3.05	3.61				
					43	0.86	1.16	1.51	1.90	2.34	2.84	3.38				

MBP
(1) G - Compressor 230V/1Ph/50Hz, fan 230V/1Ph/50Hz

E - Compressor 400V/3Ph/50Hz, fan 230V/1Ph/50Hz

(2) Nominal conditions (EN13215), Evaporating temperatures at Mid point, Superheat 10K, Subcooling 0K

(3) Rated conditions (EN13215), Evaporating temperature (Mid) -10°C, Ambient air temperature +32°C, Return Gas Temperature 20°C, Subcooling 0K

 For regular updates and detailed capacities, please refer to **Coolselector®2** software


Application	Code		Model	Compressor Model	Electrical Code (1)	Refrigerant (2)	Condenser Coil			Fan		Receiver	Dimensions			Connection		Weight		
							Type	Airflow	Internal Volume	Number	Blade ø	Volume	Housing	Height	Width	Length	Suction valve	Liquid valve	Gross	Net
	(m ² /h)	(dm ³)						(L)	mm											
LBP	114X7106	114X7129	OP-LSQM014MP	MPT14LA	G	Q	A7	2,200	0.39	1	365	1.3	B1	530	910	364	3/8"	3/8"	64	51
LBP	114X7107	114X7130	OP-LSQM018MP	MPT16LA	G	Q	A7	2,200	0.39	1	365	1.3	B1	530	910	364	3/8"	3/8"	65	51
LBP	114X7085	114X7179	OP-LSQM026AJ	CAJ2446Z	G	Q	D7	3,300	0.58	1	450	3.4	B2	690	1079	464	1/2"	1/2"	77	62
LBP	114X7086	114X7180	OP-LSQM034AJ	CAJ2464Z	G	Q	D7	3,300	0.58	1	450	3.4	B2	690	1079	464	1/2"	1/2"	77	62
LBP	114X7087	114X7181	OP-LSQM048NT	NTZ048-5	G	Q	D7	3,300	0.58	1	450	3.4	B2	690	1079	464	5/8"	1/2"	77	62
LBP	114X7088	114X7182	OP-LSQM048NT	NTZ048-4	E	Q	D7	3,300	0.58	1	450	3.4	B2	690	1079	464	5/8"	1/2"	77	62
LBP	114X7095	114X7185	OP-LSQM074FH	FH2511Z	G	Q	D7	3,300	0.58	1	450	3.4	B2	690	1079	464	5/8"	1/2"	92	77
LBP	114X7096	114X7186	OP-LSQM074FH	TFH2511Z	E	Q	D7	3,300	0.58	1	450	3.4	B2	690	1079	464	5/8"	1/2"	88	73
LBP	114X7090	114X7183	OP-LSQM068NT	NTZ068-4	E	Q	D7	3,300	0.58	1	450	3.4	B2	690	1079	464	5/8"	1/2"	80	65
LBP	114X7089	114X7184	OP-LSQM068NT	NTZ068-5	G	Q	D7	3,300	0.58	1	450	3.4	B2	690	1079	464	5/8"	1/2"	79	64
LBP	114X7091	114X7187	OP-LSQM067LL	LLZ013T4	E	Q	G7	5,200	1.62	1	500	6.2	B3	825	1105	464	3/4"	1/2"	97	78
LBP	114X7092	114X7188	OP-LSQM084LL	LLZ015T4	E	Q	G7	5,200	1.62	1	500	6.2	B3	825	1105	464	3/4"	1/2"	97	78
LBP	114X7075	114X7189	OP-LSQM098LL	LLZ018T4	E	Q	G7	5,200	1.62	1	500	6.2	B3	825	1105	464	3/4"	1/2"	97	78
MBP	114X7099	114X7207	OP-MSGM012SC	SC12G	G	G	A7	2,200	0.39	1	365	1.3	B1	530	910	364	3/8"	3/8"	66	52
MBP	114X7100	114X7208	OP-MSGM015SC	SC15G	G	G	A7	2,200	0.39	1	365	1.3	B1	530	910	364	3/8"	3/8"	66	52
MBP	114X7101	114X7131	OP-MSGM018SC	SC18G	G	G	A7	2,200	0.39	1	365	1.3	B1	530	910	364	3/8"	3/8"	67	53
MBP	114X7108	114X7133	OP-MSYM009MY	MLY90RAB	G	Y	A7	2,200	0.39	1	365	1.3	B1	530	910	364	3/8"	3/8"	64	50
MBP	114X7102	114X7132	OP-MSGM021SC	SC21G	G	G	A7	2,200	0.39	1	365	1.3	B1	530	910	364	3/8"	3/8"	67	53
MBP	114X7109	114X7134	OP-MSYM012MP	MPT12RA	G	Y	A7	2,200	0.39	1	365	1.3	B1	530	910	364	3/8"	3/8"	64	51
MBP	114X7110	114X7135	OP-MSYM014MP	MPT14RA	G	Y	A7	2,200	0.39	1	365	1.3	B1	530	910	364	3/8"	3/8"	65	52
MBP	114X7103	114X7209	OP-MSGM026AJ	CAJ4492Y	G	G	D7	3,300	0.58	1	450	3.4	B2	690	1079	464	1/2"	1/2"	78	63
MBP	114X7111	114X7136	OP-MSOM018AJ	CAJ9510Z	G	B	D7	3300	0.58	1	450	3.4	B2	690	1079	464	1/2"	1/2"	77	62
MBP	114X7104	114X7210	OP-MSGM033AJ	CAJ4511Y	G	G	D7	3,300	0.58	1	450	3.4	B2	690	1079	464	1/2"	1/2"	79	64
MBP	114X7097	114X7194	OP-MSOM024AJ	CAJ9513Z	G	B	D7	3,300	0.58	1	450	3.4	B2	690	1079	464	1/2"	1/2"	78	63
MBP	114X7093	114X7192	OP-MSOM026AJ	TAJ4517Z	E	B	D7	3,300	0.58	1	450	3.4	B2	690	1079	464	1/2"	1/2"	74	59
MBP	114X7083	114X7190	OP-MSOM026AJ	CAJ4517Z	G	B	D7	3,300	0.58	1	450	3.4	B2	690	1079	464	1/2"	1/2"	78	63
MBP	114X7094	114X7193	OP-MSOM034AJ	TAJ4519Z	E	B	D7	3,300	0.58	1	450	3.4	B2	690	1079	464	1/2"	1/2"	77	62
MBP	114X7084	114X7191	OP-MSOM034AJ	CAJ4519Z	G	B	D7	3,300	0.58	1	450	3.4	B2	690	1079	464	1/2"	1/2"	78	63
MBP	114X7062	114X7196	OP-MSXM034ML	MLZ015T4	E	X	D7	3,300	0.58	1	450	3.4	B2	690	1079	464	3/4"	1/2"	85	70
MBP	114X7061	114X7195	OP-MSXM034ML	MLZ015T5	G	X	D7	3,300	0.58	1	450	3.4	B2	690	1079	464	3/4"	1/2"	85	70
MBP	114X7162	114X7212	OP-MSXM044ML	MLZ019T5	E	X	D7	3,300	0.58	1	450	3.4	B2	690	1079	464	3/4"	1/2"	85	70
MBP	114X7161	114X7211	OP-MSXM044ML	MLZ019T5	G	X	D7	3,300	0.58	1	450	3.4	B2	690	1079	464	3/4"	1/2"	85	70
MBP	114X7064	114X7198	OP-MSXM046ML	MLZ021T4	E	X	D7	3,300	0.58	1	450	3.4	B2	690	1079	464	3/4"	1/2"	85	70
MBP	114X7063	114X7197	OP-MSXM046ML	MLZ021T5	G	X	D7	3,300	0.58	1	450	3.4	B2	690	1079	464	3/4"	1/2"	85	70
MBP	114X7065	114X7199	OP-MSXM057ML	MLZ026T5	G	X	D7	3,300	0.58	1	450	3.4	B2	690	1079	464	3/4"	1/2"	85	70
MBP	114X7066	114X7200	OP-MSXM057ML	MLZ026T4	E	X	D7	3,300	0.58	1	450	3.4	B2	690	1079	464	3/4"	1/2"	85	70
MBP	114X7068	114X7202	OP-MSXM068ML	MLZ030T4	E	X	G7	5,200	1.62	1	500	6.2	B3	825	1105	464	7/8"	1/2"	95	76
MBP	114X7067	114X7201	OP-MSXM068ML	MLZ030T5	G	X	G7	5,200	1.62	1	500	6.2	B3	825	1105	464	7/8"	1/2"	95	76
MBP	114X7069	114X7203	OP-MSXM080ML	MLZ038T5	G	X	G7	5,200	1.62	1	500	6.2	B3	825	1105	464	7/8"	1/2"	96	77
MBP	114X7070	114X7204	OP-MSXM080ML	MLZ038T4	E	X	G7	5,200	1.62	1	500	6.2	B3	825	1105	464	7/8"	1/2"	96	77
MBP	114X7071	114X7205	OP-MSXM099ML	MLZ045T4	E	X	G7	5,200	1.62	1	500	6.2	B3	825	1105	464	7/8"	1/2"	98	79
MBP	114X7072	114X7206	OP-MSXM108ML	MLZ048T4	E	X	G7	5,200	1.62	1	500	6.2	B3	825	1105	464	7/8"	1/2"	98	79

- (1) G - Compressor 230V/1~/50Hz, fan 230V/1~/50Hz
- E - Compressor 400V/3~/50Hz, fan 230V/1~/50Hz
- (2) G - R134a & R513A
- X - R134a, R404A/R507, R407A, R407F, R449A, R448A, R513A & R452A
- Y - R404A/R507 & R449A
- Q - R404A/R507 & R452A
- H - R404A/R507

Application	Code	Model	Compressor Model	Electrical Code (1)	Refrigerant (2)	Condenser Coil			Fan		Receiver	Dimensions			Connection		Weight		
						Type	Airflow	Internal Volume	Number	Blade ø	Volume	Housing	Height	Width	Length	Suction valve	Liquid valve	Gross	Net
	W05	(m ² /h)	(dm ³)	(mm)	(L)	mm	mm	mm	inch	inch	Kg	Kg							
LBP	114X7263	OP-LSVM014DPW05G	DPT14LA	G	V	A7	2200	0.39	1	365	1.3	B1	530	910	364	3/8"	3/8"	67	52
LBP	114X7242	OP-LSVM016DPW05G	DPT16LA	G	V	A7	2200	0.39	1	365	1.3	B1	530	910	364	3/8"	3/8"	67	52
LBP	114X7227	OP-LSVM026DSW05G	DST26NA	G	V	D7	3300	0.58	1	450	3.4	B2	690	1079	464	1/2"	1/2"	68	53
LBP	114X7228	OP-LSVM034DSW05G	DST34LA	G	V	D7	3300	0.58	1	450	3.4	B2	690	1079	464	1/2"	1/2"	69	54
MBP	114X7226	OP-MSTM008DYW05G	DLY80RAb	G	T	A7	2200	0.39	1	365	1.3	B1	530	910	364	3/8"	3/8"	66	51
MBP	114X7229	OP-MSTM009DYW05G	DLY90RAb	G	T	A7	2200	0.39	1	365	1.3	B1	530	910	364	3/8"	3/8"	66	51
MBP	114X7230	OP-MSTM012DPW05G	DPT12RA	G	T	A7	2200	0.39	1	365	1.3	B1	530	910	364	3/8"	3/8"	67	52
MBP	114X7238	OP-MSSM012SCW05G	SC12G	G	G	A7	2200	0.39	1	365	1.3	B1	530	910	364	1/2"	1/2"	67	52
MBP	114X7231	OP-MSTM014DPW05G	DPT14RA	G	T	A7	2200	0.39	1	365	1.3	B1	530	910	364	3/8"	3/8"	67	52
MBP	114X7239	OP-MSSM015SCW05G	SC15G	G	G	A7	2200	0.39	1	365	1.3	B1	530	910	364	3/8"	3/8"	67	52
MBP	114X7232	OP-MSTM018DXW05G	DX18Tba	G	T	D7	3300	0.58	1	450	3.4	B1	690	1079	464	1/2"	1/2"	67	52
MBP	114X7240	OP-MSSM018SCW05G	SC18G	G	G	A7	2200	0.39	1	365	1.3	B1	530	910	364	3/8"	3/8"	67	52
MBP	114X7241	OP-MSSM021SCW05G	SC21G	G	G	A7	2200	0.39	1	365	1.3	B1	530	910	364	3/8"	3/8"	68	53
MBP	114X7233	OP-MSTM022DSW05G	DS22TB	G	T	D7	3300	0.58	1	450	3.4	B2	690	1079	464	1/2"	1/2"	68	53
MBP	114X7248	OP-MSSM026CSW05G	CS26TB	G	G	D7	3300	0.58	1	450	3.4	B2	690	1079	464	1/2"	1/2"	68	53
MBP	114X7234	OP-MSTM026DSW05G	DS26TB	G	T	D7	3300	0.58	1	450	3.4	B2	690	1079	464	1/2"	1/2"	68	53
MBP	114X7235	OP-MSTM026DSW05E	DS26T3	E	T	D7	3300	0.58	1	450	3.4	B2	690	1079	464	1/2"	1/2"	68	53
MBP	114X7249	OP-MSSM030CSW05G	CS30TB	G	G	D7	3300	0.58	1	450	3.4	B2	690	1079	464	1/2"	1/2"	69	54
MBP	114X7237	OP-MSTM034DSW05G	DS34TB	G	T	D7	3300	0.58	1	450	3.4	B2	690	1079	464	1/2"	1/2"	69	54
MBP	114X7236	OP-MSTM034DSW05E	DS34T3	E	T	D7	3300	0.58	1	450	3.4	B2	690	1079	464	1/2"	1/2"	69	54

(1) **G** - Compressor 230V/1~/50Hz, fan 230V/1~/50Hz

E - Compressor 400V/3~/50Hz, fan 230V/1~/50Hz

(2) **S** - R134a, R513A & R1234yf

T - R404A/R507, R455A, R454C, R448A/R449A, R452A ;

V - R454C, R455A, R452A, R404A/R507

Designation		LSQM026AJ	LSQM034AJ	LSQM048NT	LSQM048NT	LSQM068NT	LSQM068NT	LSQM067LL
Code Number	W05	114X7085	114X7086	114X7087	114X7088	114X7089	114X7090	114X7091
	W09	114X7179	114X7180	114X7181	114X7182	114X7183	114X7184	114X7187
Compressor Description		CAJ2446Z	CAJ2464Z	NTZ048-5	NTZ048-4	NTZ068-5	NTZ068-4	LLZ013T4
Oil (reference)		RL32HA/HT	RL32HA/HT	175PZ-POE	175PZ-POE	175PZ-POE	175PZ-POE	215PZ-POE46
Housing		B2	B2	B2	B2	B2	B2	B3
Spare Parts								
Compressor single pack		118U3992	118U3990	120F0228	120F0226	120F0232	120F0230	121L9535
Condenser		118U5218	118U5218	118U5218	118U5218	118U5218	118U5218	118U5219
Dual pressure switch		060-539766	060-539766	060-539766	060-539766	060-539766	060-539766	060-539766
Fan assembly		-	-	-	-	-	-	118U3829
Fan blade		118U3481	118U3481	118U3481	118U3481	118U3481	118U3481	-
Fan capacitor		118U3297	118U3297	118U3297	118U3297	118U3297	118U3297	-
Fan cowl/grill		118U3484	118U3484	118U3484	118U3484	118U3484	118U3484	118U3485
Fan motor		118U3823	118U3823	118U3823	118U3823	118U3823	118U3823	118U3829
Filter drier		023Z5041	023Z5041	023Z5041	023Z5041	023Z5041	023Z5041	023Z5044
Liquid valve		118U3761	118U3761	118U3761	118U3761	118U3761	118U3761	118U3761
Receiver		118U4012	118U4012	118U4012	118U4012	118U4012	118U4012	118U4014
Sight glass		014L0173	014L0173	014L0173	014L0173	014L0173	014L0173	014L0173
Suction valve		118U3761	118U3761	118U3764	118U3764	118U3764	118U3764	118U3762
Brass plug (3/8" NPT)		118U4037	118U4037	118U4037	118U4037	118U4037	118U4037	118U4037
Electrical Spare Parts								
Crankcase heater		120Z0057	120Z0057	120Z0459	120Z0459	120Z0459	120Z0459	120Z5040
Contactorkit		118U3893	118U3894	118U3894	118U3893	118U3867	118U3893	118U3896
Main switch kit	W05	118U3872	118U3976	118U3976	118U3872	118U3869	118U3873	118U3873
	W09	118U3851	118U3852	118U3852	118U3853	118U3854	118U3851	118U3852
Isolator switch assembly	W09	118U5117	118U5117	118U5117	118U5117	118U5117	118U5117	118U5120
Overload relay		118U3876	118U3877	118U3877	118U3978	118U3879	118U3876	118U3877
Run capacitor				8173041	-	8173041	-	-
Starting capacitor		118U5191*	118U5192*	8173001	-	8173001	-	-
Starting relay				8173022	-	8173022	-	-
Sequence phase relay		-	-	-	-	-	-	118U3882
FSC - XGE Female connection		061H3248	061H3248	061H3248	061H3248	061H3248	061H3248	061H3248
Electrical Characteristics								
LRA Compressor [A]		29	40	37	16	53	25	62
MCC Compressor [A]		7.9	10	11	4.8	17	8.4	12
Max cont.power [kW]		1.4	1.87	2.19	2.28	3.62	3.57	4.59
MCC Fan [A]		0.47	0.47	0.47	0.47	0.47	0.47	0.97
Fan Power [W]		1x68	1x68	1x68	1x68	1x68	1x68	1x130
Accessories (Not Premounted)								
Acoustic hood				120Z0575	120Z0575	120Z0575	120Z0575	120Z5052
Discharge Gas thermostat		7750009	7750009	7750009	7750009	7750009	7750009	7750009
Fusible plug (1/4")		118U5170	118U5170	118U5170	118U5170	118U5170	118U5170	118U5170
Sheet Metal								
Top panel		118U5146	118U5146	118U5146	118U5146	118U5146	118U5146	118U5151
Fan panel		118U5147	118U5147	118U5147	118U5147	118U5147	118U5147	118U5152
Back panel		118U5148	118U5148	118U5148	118U5148	118U5148	118U5148	118U5153
Left side panel		118U5168	118U5168	118U5168	118U5168	118U5168	118U5168	118U5169
Service panel	W05	118U5149	118U5149	118U5149	118U5149	118U5149	118U5149	118U5154
	W09	118U5157	118U5157	118U5157	118U5157	118U5157	118U5157	118U5158

MCC - Max Continuous Current
LRA - Locked Rotor Amps
XGE - FSC, Fan Speed Controller
* - Spare part, Starting Kit

Designation		LSQM084LL	LSQM098LL	LSQM074FH	LSQM074FH	LSQM014MP	LSQM018MP
Code Number	W05	114X7092	114X7075	114X7095	114X7096	114X7106	114X7107
	W09	114X7188	114X7189	114X7185	114X7186	114X7129	114X7130
Compressor Description		LLZ015T4	LLZ018T4	FH2511Z	TFH2511Z	MPT14LA	MPT16LA
Oil (reference)		215PZ-POE46	215PZ-POE46	RL32HA/HT	RL32HA/HT	POE32	POE32
Housing		B3	B3	B2	B2	B1	B1
Spare Parts							
Compressor single pack		121L9537	121L9539	118U3914	118U3915	123B2126	123B2127
Condenser		118U5219	118U5219	118U5218	118U5218	118U5217	118U5217
Dual pressure switch		060-539766	060-539766	060-539766	060-539766	060-539766	060-539766
Fan assembly		118U3829	118U3829	-	-	-	-
Fan blade		-	-	118U3481	118U3481	118U3480	118U3480
Fan capacitor		-	-	118U3297	118U3297	118U3296	118U3296
Fan cowl/grill		118U3485	118U3485	118U3484	118U3484	118U3483	118U3483
Fan motor		118U3829	118U3829	118U3823	118U3823	118U3477	118U3477
Filter drier		023Z5044	023Z5044	023Z5041	023Z5041	023Z5040	023Z5040
Liquid valve		118U3761	118U3761	118U3761	118U3761	118U3414	118U3414
Receiver		118U4014	118U4014	118U4012	118U4012	118U4020	118U4020
Sight glass		014L0173	014L0173	014L0173	014L0173	014L0182	014L0182
Suction valve		118U3762	118U3762	118U3764	118U3764	118U3414	118U3414
Brass plug (3/8" NPT)		118U4037	118U4037	118U4037	118U4037	118U4037	118U4037
Electrical Spare Parts							
Crankcase heater		120Z5040	120Z5040	120Z0459	120Z0459	118U0051	118U0051
Contactor kit		118U3896	118U3896	118U3867	118U3893	118U3893	118U3893
Main switch kit	W05	118U3874	118U3874	118U3870	118U3872	118U3975	118U3975
	W09	118U3852	118U3852	118U3855	118U3851	118U3853	118U3853
Isolator switch assembly	W09	118U5120	118U5120	118U5117	118U5117	118U5117	118U5117
Overload relay		118U3878	118U3878	118U3880	118U3876	118U3978	118U3978
Run capacitor		-	-	-	-	123B9222	123B9219
Starting capacitor		-	-	118U5199*	-	123B9312	123B9316
Starting relay		-	-	-	-	123B9151	123B9151
Sequence phase relay		118U3882	118U3882	-	-	-	-
FSC - XGE Female connection		061H3248	061H3248	061H3248	061H3248	061H3248	061H3248
Electrical Characteristics							
LRA Compressor [A]		88.5	90	81	28	16	19
MCC Compressor [A]		15	14.4	24	7.2	5	4
Max cont.power [kW]		5.49	6.2	3.45	3.34	0.78	0.89
MCC Fan [A]		0.97	0.97	0.47	0.47	0.32	0.32
Fan Power [W]		1x130	1x130	1x68	1x68	1x25	1x25
Accessories (Not Premounted)							
Acoustic hood		120Z5052	120Z5052	-	-	-	-
Discharge Gas thermostat		7750009	7750009	7750009	7750009	7750009	7750009
Fusible plug (1/4")		118U5170	118U5170	118U5170	118U5170	118U5170	118U5170
Sheet Metal							
Top panel		118U5151	118U5151	118U5146	118U5146	118U5141	118U5141
Fan panel		118U5152	118U5152	118U5147	118U5147	118U5142	118U5142
Back panel		118U5153	118U5153	118U5148	118U5148	118U5143	118U5143
Left side panel		118U5169	118U5169	118U5168	118U5168	118U5167	118U5167
Service panel	W05	118U5154	118U5154	118U5149	118U5149	118U5144	118U5144
	W09	118U5158	118U5158	118U5157	118U5157	118U5156	118U5156

MCC - Max Continuous Current
LRA - Locked Rotor Amps
XGE - FSC, Fan Speed Controller
* - Spare part, Starting Kit

Designation		LSVM014DP	LSVM016DP	LSVM026DS	LSVM034DS
Code Number	W05	114X7263	114X7242	114X7227	114X7228
Compressor Description		DPT14LA	DPT16LA	DST26NA	DST34LA
Oil (reference)		POE32	POE32	POE 46	POE 46
Housing		B1	B1	B2	B2
Spare Parts					
Compressor single pack		123B6013	123B6014	123B6015	123B6016
Condenser		118U5217	118U5217	118U5218	118U5218
Dual pressure switch		060-539766	060-539766	060-539766	060-539766
Fan assembly		-	-	-	-
Fan blade		118U3480	118U3480	118U3481	118U3481
Fan capacitor		118U3296	118U3296	118U3297	118U3297
Fan cowl/grill		118U3483	118U3483	118U3484	118U3484
Fan motor		118U3477	118U3477	118U3823	118U3823
Filter drier		023Z5040	023Z5040	023Z5041	023Z5041
Liquid valve		118U5254	118U5254	118U5253	118U5253
Receiver		118U4069	118U4069	118U4070	118U4070
E-box Cable gland		118U5258	118U5258	118U5258	118U5258
Sight glass		014L0182	014L0182	014L0173	014L0173
Suction valve		118U5254	118U5254	118U5253	118U5253
Brass plug (3/8" NPT)		118U4037	118U4037	118U4037	118U4037
Electrical Spare Parts					
Crankcase heater		120Z0057	120Z0057	120Z0057	120Z0057
Contact kit		118U3893	118U3893	118U3894	118U3894
Timer		118U5257	118U5257	118U5257	118U5257
Main switch kit	W05	118U3975	118U3975	118U3976	118U3976
Overload relay		118U3978	118U3978	118U3876	118U3876
Run capacitor		123B9222	123B9219	123B9215	123B9226
Starting capacitor		123B9312	123B9316	123B9304	123B9304
Starting relay		123B9151	123B9151	123B9154	123B9154
Sequence phase relay		-	-	-	-
Electrical Characteristics					
LRA Compressor [A]		16	19	33.5	29.5
MCC Compressor [A]		5	4	7.9	8.1
Max cont.power [kW]		0.78	0.89	6.87	1.31
MCC Fan [A]		0.32	0.32	0.47	0.47
Fan Power [W]		1x25	1x25	1x68	1x68
Accessories (Not Premounted)					
Acoustic hood		-	-	-	-
FSC Female connection		061H3140	061H3140	061H3140	061H3140
Discharge Gas thermostat		7750009	7750009	7750009	7750009
Unit stand		118U5281	118U5281	118U5282	118U5282
Sheet Metal					
Top panel		118U5141	118U5141	118U5146	118U5146
Fan panel		118U5142	118U5142	118U5147	118U5147
Back panel		118U5143	118U5143	118U5148	118U5148
Left side panel		118U5167	118U5167	118U5168	118U5168
Service panel	W05	118U5144	118U5144	118U5149	118U5149

MCC - Max Continuous Current

LRA - Locked Rotor Amps

XGE - FSC, Fan Speed Controller

* - Spare part, Starting Kit

Designation		MSXM034ML	MSXM034ML	MSXM044ML	MSXM044ML	MSXM046ML	MSXM046ML	MSXM057ML	MSXM057ML	MSXM068ML
Code Number	W05	114X7061	114X7062	114X7161	114X7162	114X7063	114X7064	114X7065	114X7066	114X7067
	W09	114X7195	114X7196	114X7211	114X7212	114X7197	114X7198	114X7199	114X7200	114X7201
Compressor Description		MLZ015T5	MLZ015T4	MLZ019T5	MLZ019T4	MLZ021T5	MLZ021T4	MLZ026T5	MLZ026T4	MLZ030T5
Oil (reference)		215PZ-POE46	215PZ-POE46	215PZ-POE46	215PZ-POE46	215PZ-POE46	215PZ-POE46	215PZ-POE46	215PZ-POE46	215PZ-POE46
Housing		B2	B2	B2	B2	B2	B2	B2	B2	B3
Spare Parts										
Compressor single pack		121L8631	120U8725	121U8731	120U8725	121L8635	121L8633	121L8639	121L8637	121L8643
Condenser		118U5218	118U5218	118U5218	118U5218	118U5218	118U5218	118U5218	118U5218	118U5219
Dual pressure switch		060-539766	060-539766	060-539766	060-539766	060-539766	060-539766	060-539766	060-539766	060-539766
Fan assembly		-	-	-	-	-	-	-	-	118U3829
Fan blade		118U3481	118U3481	118U3481	118U3481	118U3481	118U3481	118U3481	118U3481	-
Fan capacitor		118U3297	118U3297	118U3297	118U3297	118U3297	118U3297	118U3297	118U3297	-
Fan cowl/grill		118U3484	118U3484	118U3484	118U3484	118U3484	118U3484	118U3484	118U3484	118U3485
Fan motor		118U3823	118U3823	118U3823	118U3823	118U3823	118U3823	118U3823	118U3823	118U3829
Filter drier		023Z5041	023Z5041	023Z5041	023Z5041	023Z5041	023Z5041	023Z5041	023Z5041	023Z5044
Liquid valve		118U3761	118U3761	118U3761	118U3761	118U3761	118U3761	118U3761	118U3761	118U3761
Receiver		118U4012	118U4012	118U4012	118U4012	118U4012	118U4012	118U4012	118U4012	118U4014
Sight glass		014L0173	014L0173	014L0173	014L0173	014L0173	014L0173	014L0173	014L0173	014L0173
Suction valve		118U3762	118U3762	118U3762	118U3762	118U3762	118U3762	118U3762	118U3762	118U3763
Brass plug (3/8" NPT)		118U4037	118U4037	118U4037	118U4037	118U4037	118U4037	118U4037	118U4037	118U4037
Electrical Spare Parts										
Crankcase heater		120Z5040	120Z5040	120Z5040	120Z5040	120Z5040	120Z5040	120Z5040	120Z5040	120Z5040
Contact kit		118U3867	118U3893	118U3867	118U3894	118U3867	118U3894	118U3895	118U3894	118U3895
Main switch kit	W05	118U3869	118U3872	118U3870	118U3873	118U3870	118U3873	118U3870	118U3873	118U3871
	W09	118U3854	118U3851	118U3855	118U3851	118U3856	118U3851	118U3856	118U3852	118U3857
Isolator switch assembly	W09	118U5117	118U5117	118U5117	118U5117	118U5117	118U5117	118U5117	118U5117	118U5119
Overload relay		118U3879	118U3875	118U3880	118U3876	118U3880	118U3876	118U3880	118U3877	118U3880
Run capacitor		8173231	-	120Z0051	-	120Z0051	-	120Z0051	-	8173233
Starting capacitor		120Z0399	-	120Z0399	-	120Z0399	-	120Z0399	-	120Z0400
Starting relay		120Z0393	-	120Z0393	-	120Z0393	-	120Z0393	-	120Z0394
Sequence phase relay		118U3882	118U3882	118U3882	118U3882	118U3882	118U3882	118U3882	118U3882	118U3882
FSC - XGE Female connection		061H3248	061H3248	061H3248	061H3248	061H3248	061H3248	061H3248	061H3248	061H3248
Electrical Characteristics										
LRA Compressor [A]		60	30	97	45	97	45	97	45	127
MCC Compressor [A]		19	7	23	9.5	25	9.5	26	10	32
Max cont.power [kW]		2.53	2.73	3.38	3.33	3.38	3.33	4.42	4.14	4.89
MCC Fan [A]		0.47	0.47	0.47	0.47	0.47	0.47	0.47	0.47	0.97
Fan Power [W]		1x68	1x68	1x68	1x68	1x68	1x68	1x68	1x68	1x130
Accessories (Not Premounted)										
Acoustic hood		120Z5043	120Z5043	120Z5043	120Z5043	120Z5043	120Z5043	120Z5043	120Z5043	120Z5044
Discharge Gas thermostat		7750009	7750009	7750009	7750009	7750009	7750009	7750009	7750009	7750009
Fusible plug (1/4")		118U5170	118U5170	118U5170	118U5170	118U5170	118U5170	118U5170	118U5170	118U5170
Sheet Metal										
Top panel		118U5146	118U5146	118U5146	118U5146	118U5146	118U5146	118U5146	118U5146	118U5151
Fan panel		118U5147	118U5147	118U5147	118U5147	118U5147	118U5147	118U5147	118U5147	118U5152
Back panel		118U5148	118U5148	118U5148	118U5148	118U5148	118U5148	118U5148	118U5148	118U5153
Left side panel		118U5168	118U5168	118U5168	118U5168	118U5168	118U5168	118U5168	118U5168	118U5169
Service panel	W05	118U5149	118U5149	118U5149	118U5149	118U5149	118U5149	118U5149	118U5149	118U5154
	W09	118U5157	118U5157	118U5157	118U5157	118U5157	118U5157	118U5157	118U5157	118U5158

MCC - Max Continuous Current
LRA - Locked Rotor Amps
XGE - FSC, Fan Speed Controller
* - Spare part, Starting Kit

Designation	MSXM068ML	MSXM080ML	MSXM080ML	MSXM099ML	MSXM108ML	MSOM026AJ	MSOM034AJ	MSOM026AJ	MSOM034AJ	MSOM024AJ	
Code Number	W05	114X7068	114X7069	114X7070	114X7071	114X7072	114X7083	114X7084	114X7093	114X7094	114X7097
	W09	114X7202	114X7203	114X7204	114X7205	114X7206	114X7190	114X7191	114X7192	114X7193	114X7194
Compressor Description	MLZ030T4	MLZ038T5	MLZ038T4	MLZ045T4	MLZ048T4	CAJ4517Z	CAJ4519Z	TAJ4517Z	TAJ4519Z	CAJ9513Z	
Oil (reference)	215PZ-POE46	215PZ-POE46	215PZ-POE46	215PZ-POE46	215PZ-POE46	RL32HA/HT	RL32HA/HT	RL32HA/HT	RL32HA/HT	RL32HA/HT	
Housing	B3	B3	B3	B3	B3	B2	B2	B2	B2	B2	
Spare Parts											
Compressor single pack	121L8641	121L8647	121L8645	121L8649	121L8651	118U3993	118U3994	118U3991	118U3989	118U3995	
Condenser	118U5219	118U5219	118U5219	118U5219	118U5219	118U5218	118U5218	118U5218	118U5218	118U5218	
Dual pressure switch	060-539766	060-539766	060-539766	060-539766	060-539766	060-539766	060-539766	060-539766	060-539766	060-539766	
Fan assembly	118U3829	118U3829	118U3829	118U3829	118U3829	-	-	-	-	-	
Fan blade	-	-	-	-	-	118U3481	118U3481	118U3481	118U3481	118U3481	
Fan capacitor	-	-	-	-	-	118U3297	118U3297	118U3297	118U3297	118U3297	
Fan cowl/grill	118U3485	118U3485	118U3485	118U3485	118U3485	118U3484	118U3484	118U3484	118U3484	118U3484	
Fan motor	118U3829	118U3829	118U3829	118U3829	118U3829	118U3823	118U3823	118U3823	118U3823	118U3823	
Filter drier	023Z5044	023Z5044	023Z5044	023Z5044	023Z5044	023Z5041	023Z5041	023Z5041	023Z5041	023Z5041	
Liquid valve	118U3761	118U3761	118U3761	118U3761	118U3761	118U3761	118U3761	118U3761	118U3761	118U3761	
Receiver	118U4014	118U4014	118U4014	118U4014	118U4014	118U4012	118U4012	118U4012	118U4012	118U4012	
Sight glass	014L0173	014L0173	014L0173	014L0173	014L0173	014L0173	014L0173	014L0173	014L0173	014L0173	
Suction valve	118U3763	118U3763	118U3763	118U3763	118U3763	118U3761	118U3761	118U3761	118U3761	118U3761	
Brass plug (3/8" NPT)	118U4037	118U4037	118U4037	118U4037	118U4037	118U4037	118U4037	118U4037	118U4037	118U4037	
Electrical Spare Parts											
Crankcase heater	120Z5040	120Z5040	120Z5040	120Z5040	120Z5040	118U0051	118U0051	118U0051	118U0051	120Z0057	
Contact kit	118U3896	118U3868	118U3896	118U3896	118U3896	118U3896	118U3896	118U3893	118U3893	118U3894	
Main switch kit	W05	118U3873	118U3871	118U3874	118U3874	118U3874	118U3976	118U3976	118U3872	118U3872	118U3976
	W09	118U3852	118U3857	118U3852	118U3852	118U3854	118U3852	118U3852	118U3853	118U3853	118U3852
Isolator switch assembly	W09	118U5120	118U5119	118U5120	118U5120	118U5120	118U5117	118U5117	118U5117	118U5117	118U5117
Overload relay	118U3877	118U3881	118U3878	118U3878	118U3878	118U3877	118U3878	118U3978	118U3978	118U3877	
Run capacitor	-	8173234	-	-	-	-	-	-	-	-	
Starting capacitor	-	8173001	-	-	-	118U5195*	118U5196*	-	-	118U5198*	
Starting relay	-	120Z0395	-	-	-	-	-	-	-	-	
Sequence phase relay	118U3882	118U3882	118U3882	118U3882	118U3882	-	-	-	-	-	
FSC - XGE Female connection	061H3248	061H3248	061H3248	061H3248	061H3248	061H3248	061H3248	061H3248	061H3248	061H3248	
Electrical Characteristics											
LRA Compressor [A]	60	130	70	82	87	38.5	45	18	22	33.5	
MCC Compressor [A]	13	38	15	15	16	12.7	15.2	4	4.8	10.2	
Max cont.power [kW]	4.88	5.77	5.78	7.01	7.55	2	2.74	2.09	2.7	1.75	
MCC Fan [A]	0.97	0.97	0.97	0.97	0.97	0.47	0.47	0.47	0.47	0.47	
Fan Power [W]	1x130	1x130	1x130	1x130	1x130	1x68	1x68	1x68	1x68	1x68	
Accessories (Not Premounted)											
Acoustic hood	120Z5044	120Z5044	120Z5044	120Z5044	120Z5044	-	-	-	-	-	
Discharge Gas thermostat	7750009	7750009	7750009	7750009	7750009	7750009	7750009	7750009	7750009	7750009	
Fusible plug (1/4")	118U5170	118U5170	118U5170	118U5170	118U5170	118U5170	118U5170	118U5170	118U5170	118U5170	
Sheet Metal											
Top panel	118U5151	118U5151	118U5151	118U5151	118U5151	118U5146	118U5146	118U5146	118U5146	118U5146	
Fan panel	118U5152	118U5152	118U5152	118U5152	118U5152	118U5147	118U5147	118U5147	118U5147	118U5147	
Back panel	118U5153	118U5153	118U5153	118U5153	118U5153	118U5148	118U5148	118U5148	118U5148	118U5148	
Left side panel	118U5169	118U5169	118U5169	118U5169	118U5169	118U5168	118U5168	118U5168	118U5168	118U5168	
Service panel	W05	118U5154	118U5154	118U5154	118U5154	118U5149	118U5149	118U5149	118U5149	118U5149	
	W09	118U5158	118U5158	118U5158	118U5158	118U5157	118U5157	118U5157	118U5157	118U5157	

MCC - Max Continuous Current
LRA - Locked Rotor Amps
XGE - FSC, Fan Speed Controller
* - Spare part, Starting Kit

Designation		MSGM012SC	MSGM015SC	MSGM018SC	MSGM021SC	MSGM026AJ	MSGM033AJ	MSYM009MY	MSYM012MP	MSYM014MP	MSOM018AJ
Code Number	W05	114X7099	114X7100	114X7101	114X7102	114X7103	114X7104	114X7108	114X7109	114X7110	114X7111
	W09	114X7207	114X7208	114X7131	114X7132	114X7209	114X7210	114X7133	114X7134	114X7135	114X7136
Compressor Description		SC12G	SC15G	SC18G	SC21G	CAJ4492Y	CAJ4511Y	MLY90RAb	MPT12RA	MPT14RA	CAJ9510Z
Oil (reference)		POE22	POE22	POE22	POE22	RL32HA/HT	RL32HA/HT	POE32	POE32	POE32	RL32HA/HT
Housing		B1	B1	B1	B1	B2	B2	B1	B1	B1	B2
Spare Parts											
Compressor single pack		195B0050	195B0053	195B0059	195B0636	118U3997	118U3996	123B2514	123B2518	123B2704	118U3988
Condenser		118U5217	118U5217	118U5217	118U5217	118U5218	118U5218	118U5217	118U5217	118U5217	118U5218
Dual pressure switch		060-539766	060-539766	060-539766	060-539766	060-539766	060-539766	060-539766	060-539766	060-539766	060-539766
Fan assembly		-	-	-	-	-	-	-	-	-	-
Fan blade		118U3480	118U3480	118U3480	118U3480	118U3481	118U3481	118U3480	118U3480	118U3480	118U3481
Fan capacitor		118U3296	118U3296	118U3296	118U3296	118U3297	118U3297	118U3296	118U3296	118U3296	118U3297
Fan cowl/grill		118U3483	118U3483	118U3483	118U3483	118U3484	118U3484	118U3483	118U3483	118U3483	118U3484
Fan motor		118U3477	118U3477	118U3477	118U3477	118U3823	118U3823	118U3477	118U3477	118U3477	118U3823
Filter drier		023Z5040	023Z5040	023Z5040	023Z5040	023Z5041	023Z5041	023Z5040	023Z5040	023Z5040	023Z5041
Liquid valve		118U3414	118U3414	118U3414	118U3414	118U3761	118U3761	118U3414	118U3414	118U3414	118U3761
Receiver		118U4020	118U4020	118U4020	118U4020	118U4012	118U4012	118U4020	118U4020	118U4020	118U4012
Sight glass		014L0182	014L0182	014L0182	014L0182	014L0173	014L0173	014L0182	014L0182	014L0182	014L0173
Suction valve		118U3414	118U3414	118U3414	118U3414	118U3761	118U3761	118U3414	118U3414	118U3414	118U3761
Brass plug (3/8" NPT)		118U4037	118U4037	118U4037	118U4037	118U4037	118U4037	118U4037	118U4037	118U4037	118U4037
Electrical Spare Parts											
Crankcase heater		118U0051	118U0051	118U0051	118U0051	120Z0459	120Z0459	118U0051	118U0051	118U0051	118U3761
Contact kit		118U3893	118U3893	118U3893	118U3893	118U3894	118U3894	118U3893	118U3893	118U3893	118U3894
Main switch kit	W05	118U3980	118U3980	118U3980	118U3980	118U3872	118U3872	118U3980	118U3975	118U3975	118U3975
	W09	118U5162	118U3853	118U3853	118U3853	118U3851	118U3851	118U3853	118U3853	118U3851	118U3851
Isolator switch assembly	W09	118U5117	118U5117	118U5117	118U5117	118U5117	118U5117	118U5117	118U5117	118U5117	118U5117
Overload relay		118U3979	118U3979	118U3978	118U3978	118U3876	118U3876	118U3978	118U3876	118U3876	118U3876
Run capacitor		-	-	-	-	-	-	123B9222	123B9215	123B9226	-
Starting capacitor		117U5017	117U5017	117U5017	117-7029*	118U5193*	118U5194*	123B9315	123B9315	123B9315	118U5197*
Starting relay		117U6003	117U6005	117U6019	-	-	-	123B9133	123B9151	123B9139	-
Sequence phase relay		-	-	-	-	-	-	-	-	-	-
FSC - XGE Female connection		061H3248	061H3248	061H3248	061H3248	061H3248	061H3248	061H3248	061H3248	061H3248	061H3248
Electrical Characteristics											
LRA Compressor [A]		12.4	14.8	18.6	21.8	28	30	17	18.5	21	30
MCC Compressor [A]		3.17	3.88	4.34	4.6	8.9	8.6	5.3	5.3	6.5	8
Max cont.power [kW]		0.812	0.819	0.945	0.936	1.43	1.69	0.62	0.84	1.03	1.3
MCC Fan [A]		0.32	0.32	0.32	0.32	0.47	0.47	0.32	0.32	0.32	0.47
Fan Power [W]		1x25	1x25	1x25	1x25	1x68	1x68	1x25	1x25	1x25	1x68
Accessories (Not Premounted)											
Acoustic hood		-	-	-	-	-	-	-	-	-	-
Discharge Gas thermostat		7750009	7750009	7750009	7750009	7750009	7750009	7750009	7750009	7750009	7750009
Fusible plug (1/4")		118U5170	118U5170	118U5170	118U5170	118U5170	118U5170	118U5170	118U5170	118U5170	118U5170
Sheet Metal											
Top panel		118U5141	118U5141	118U5141	118U5141	118U5146	118U5146	118U5141	118U5141	118U5141	118U5146
Fan panel		118U5142	118U5142	118U5142	118U5142	118U5147	118U5147	118U5142	118U5142	118U5142	118U5147
Back panel		118U5143	118U5143	118U5143	118U5143	118U5148	118U5148	118U5143	118U5143	118U5143	118U5148
Left side panel		118U5167	118U5167	118U5167	118U5167	118U5168	118U5168	118U5167	118U5167	118U5167	118U5168
Service panel	W05	118U5144	118U5144	118U5144	118U5144	118U5149	118U5149	118U5144	118U5144	118U5144	118U5149
	W09	118U5156	118U5156	118U5156	118U5156	118U5157	118U5157	118U5156	118U5156	118U5156	118U5157

MCC - Max Continuous Current
 LRA - Locked Rotor Amps
 XGE - FSC, Fan Speed Controller
 * - Spare part, Starting Kit

Designation	MSTM008DY	MSTM009DY	MSTM012DP	MSSM012SC	MSTM014DP	MSSM015SC	MSTM018DX	MSSM018SC
Code Number	W05 114X7226	114X7229	114X7230	114X7238	114X7231	114X7239	114X7232	114X7240
Compressor Description	DLY80RAB	DLY90RAB	DPT12RA	SC12G	DPT14RA	SC15G	DX18Tba	SC18G
Oil (reference)	POE 32	POE 32	POE 32	POE 22	POE 32	POE 22	POE 32	POE 22
Housing	B1	B1	B1	B1	B1	B1	B1	B1
Spare Parts								
Compressor single pack	123B6003	123B6004	123B6005	195B0050	123B6006	195B0053	123B6007	195B0059
Condenser	118U5217	118U5217	118U5217	118U5217	118U5217	118U5217	118U5217	118U5217
Dual pressure switch	060-539766	060-539766	060-539766	060-539766	060-539766	060-539766	060-539766	060-539766
Fan assembly	-	-	-	-	-	-	-	-
Fan blade	118U3480	118U3480	118U3480	118U3480	118U3480	118U3480	118U3480	118U3480
Fan capacitor	118U3296	118U3296	118U3296	118U3296	118U3296	118U3296	118U3296	118U3296
Fan cowl/grill	118U3483	118U3483	118U3483	118U3483	118U3483	118U3483	118U3483	118U3483
Fan motor	118U3477	118U3477	118U3477	118U3477	118U3477	118U3477	118U3477	118U3477
Filter drier	023Z5040	023Z5040	023Z5040	023Z5040	023Z5040	023Z5040	023Z5040	023Z5040
Liquid valve	118U5254	118U5254	118U5254	118U5254	118U5254	118U5254	118U5254	118U5254
Receiver	118U4069	118U4069	118U4069	118U4069	118U4069	118U4069	118U4069	118U4069
E-box Cable gland	118U5258	118U5258	118U5258	118U5258	118U5258	118U5258	118U5258	118U5258
Sight glass	014L0182	014L0182	014L0182	014L0182	014L0182	014L0182	014L0182	014L0182
Suction valve	118U5254	118U5254	118U5254	118U5254	118U5254	118U5254	118U5254	118U5254
Brass plug (3/8" NPT)	118U4037	118U4037	118U4037	118U4037	118U4037	118U4037	118U4037	118U4037
Electrical Spare Parts								
Crankcase heater	120Z0057	120Z0057	120Z0057	120Z0057	120Z0057	120Z0057	120Z0057	120Z0057
Contact kit	118U3893	118U3893	118U3893	118U3893	118U3893	118U3893	118U3894	118U3893
Timer	118U5257	118U5257	118U5257	118U5257	118U5257	118U5257	118U5257	118U5257
Main switch kit	W05 118U3980	118U3975	118U3975	118U3980	118U3975	118U3980	118U3976	118U3980
Overload relay	118U3978	118U3978	118U3978	118U3979	118U3978	118U3979	118U3876	118U3978
Run capacitor	123B9222	123B9222	123B9315	-	123B9315	-	123B9219	-
Starting capacitor	123B9315	123B9315	123B9215	117U5017	123B9215	117U5017	123B9321	117U5017
Starting relay	123B9133	123B9133	123B9151	117U6003	123B9151	117U6005	123B9159	117U6009
Sequence phase relay	-	-	-	-	-	-	-	-
Electrical Characteristics								
LRA Compressor [A]	14	17	18.5	12.4	21	14.8	34.5	18.6
MCC Compressor [A]	4.90	5.30	5.30	3.17	6.50	3.88	9.00	4.34
Max cont. power [kW]	0.55	0.62	0.84	0.812	1.03	0.81	2.73	0.94
MCC Fan [A]	0.32	0.32	0.32	0.32	0.32	0.32	0.32	0.32
Fan Power [W]	1x25	1x25	1x25	1x25	1x25	1x25	1x25	1x25
Accessories (Not Premounted)								
Acoustic hood	-	-	-	-	-	-	-	-
Discharge Gas thermostat	7750009	7750009	7750009	7750009	7750009	7750009	7750009	7750009
Unit stand	118U5281	118U5281	118U5281	118U5281	118U5281	118U5281	118U5281	118U5281
Sheet Metal								
Top panel	118U5141	118U5141	118U5141	118U5141	118U5141	118U5141	118U5141	118U5141
Fan panel	118U5142	118U5142	118U5142	118U5142	118U5142	118U5142	118U5142	118U5142
Back panel	118U5143	118U5143	118U5143	118U5143	118U5143	118U5143	118U5143	118U5143
Left side panel	118U5167	118U5167	118U5167	118U5167	118U5167	118U5167	118U5167	118U5167
Service panel	W05 118U5144	118U5144	118U5144	118U5144	118U5144	118U5144	118U5144	118U5144

MCC - Max Continuous Current
 LRA - Locked Rotor Amps
 XGE - FSC, Fan Speed Controller
 * - Spare part, Starting Kit

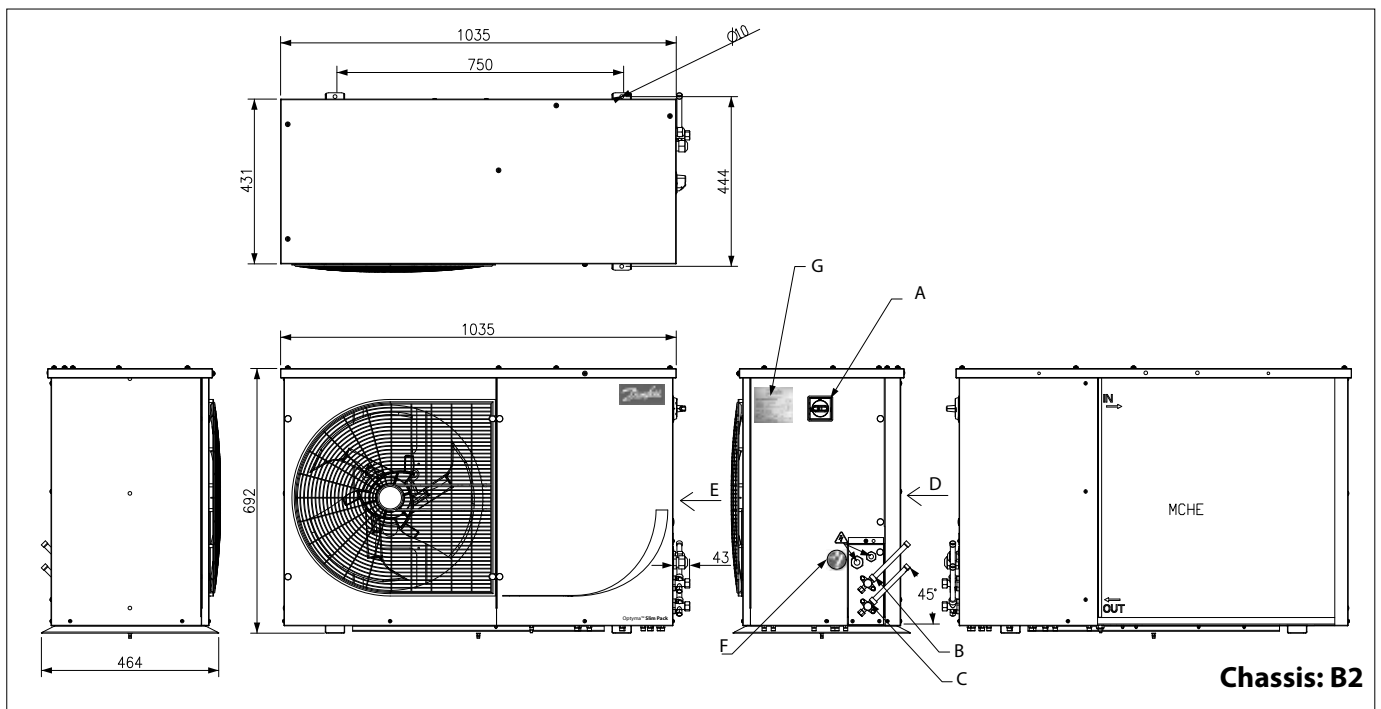
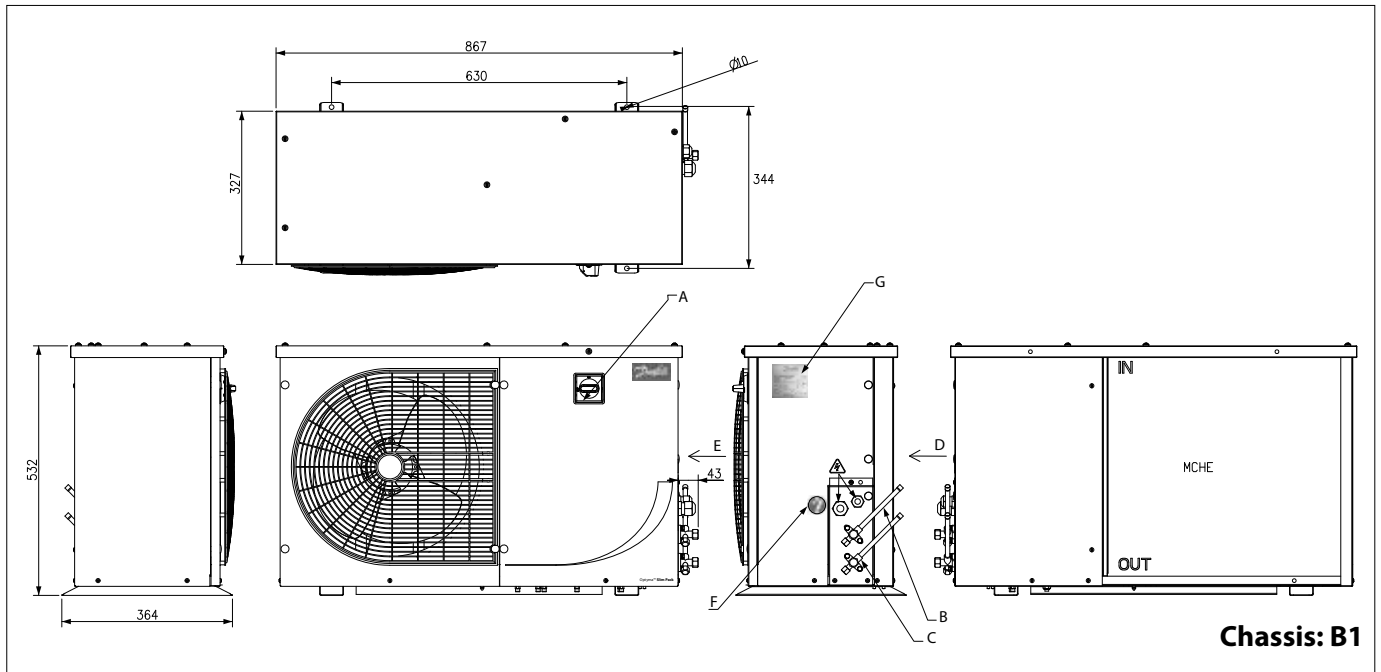
Designation	MSSM021SC	MSTM022DS	MSSM026CS	MSTM026DS	MSTM026DS	MSSM030CS	MSTM034DS	MSTM034DS	
Code Number	W05	114X7241	114X7233	114X7248	114X7234	114X7235	114X7249	114X7237	114X7236
Compressor Description		SC21G	DS22TB	CS26TB	DS26TB	DS26T3	CS30TB	DS34TB	DS34T3
Oil (reference)		POE 22	POE 46	POE 32	POE 46	POE 46	POE 32	POE 46	POE 46
Housing		B1	B2	B2	B2	B2	B2	B2	B2
Spare Parts									
Compressor single pack		195B0636	123B6008	123B6001	123B6009	123B6011	123B6002	123B6010	123B6012
Condenser		118U5217	118U5218	118U5218	118U5218	118U5218	118U5218	118U5218	118U5218
Dual pressure switch		060-539766	060-539766	060-539766	060-539766	060-539766	060-539766	060-539766	060-539766
Fan assembly		-	-	-	-	-	-	-	-
Fan blade		118U3480	118U3481	118U3481	118U3481	118U3481	118U3481	118U3481	118U3481
Fan capacitor		118U3296	118U3297	118U3297	118U3297	118U3297	118U3297	118U3297	118U3297
Fan cowl/grill		118U3483	118U3484	118U3484	118U3484	118U3484	118U3484	118U3484	118U3484
Fan motor		118U3477	118U3823	118U3823	118U3823	118U3823	118U3823	118U3823	118U3823
Filter drier		023Z5040	023Z5041	023Z5041	023Z5041	023Z5041	023Z5041	023Z5041	023Z5041
Liquid valve		118U5254	118U5253	118U5253	118U5253	118U5253	118U5253	118U5253	118U5253
Receiver		118U4069	118U4069	118U4069	118U4069	118U4069	118U4069	118U4069	118U4069
E-box Cable gland		118U5258	118U5258	118U5258	118U5258	118U5258	118U5258	118U5258	118U5258
Sight glass		014L0182	014L0173	014L0173	014L0173	014L0173	014L0173	014L0173	014L0173
Suction valve		118U5254	118U5253	118U5253	118U5253	118U5253	118U5253	118U5253	118U5253
Brass plug (3/8" NPT)		118U4037	118U4037	118U4037	118U4037	118U4037	118U4037	118U4037	118U4037
Electrical Spare Parts									
Crankcase heater		120Z0057	120Z0057	120Z0057	120Z0057	120Z0057	120Z0057	120Z0057	120Z0057
Contact kit		118U3893	118U3894	118U3894	118U3896	118U3893	118U3894	118U3867	118U3893
Timer		118U5257	118U5257	118U5257	118U5257	118U5257	118U5257	118U5257	118U5257
Main switch kit	W05	118U3980	118U3976	118U3976	118U3976	118U5088	118U3976	118U5102	118U5088
Overload relay		118U3978	118U3876	118U3876	118U3877	118U3978	118U3876	118U3879	118U3875
Run capacitor		117-7029	123B9215	-	123B9215	-	123B9302	123B9226	-
Starting capacitor		117U5373	123B9302	123B9304	123B9304	-	123B9146	123B9304	-
Starting relay		-	123B9154	123B9146	123B9154	-	123B9219	123B9154	-
Sequence phase relay		-	-	-	-	-	-	-	-
Electrical Characteristics									
LRA Compressor [A]		21.8	32	41.5	38	15.7	29	41	29
MCC Compressor [A]		4.60	8.40	8.70	11.50	4.80	8.80	17.50	6.40
Max cont.power [kW]		0.936	1.70	1.87	2.19	2.28	1.4	3.33	1.40
MCC Fan [A]		0.32	0.47	0.47	0.47	0.47	0.47	0.47	0.47
Fan Power [W]		1x25	1x68	1x68	1x68	1x68	1x68	1x68	1x68
Accessories (Not Premounted)									
Acoustic hood		-	-	-	-	-	-	-	-
Discharge Gas thermostat		7750009	7750009	7750009	7750009	7750009	7750009	7750009	7750009
Unit stand		118U5281	118U5282	118U5282	118U5282	118U5282	118U5282	118U5282	118U5282
Sheet Metal									
Top panel		118U5141	118U5146	118U5146	118U5146	118U5146	118U5146	118U5146	118U5146
Fan panel		118U5142	118U5147	118U5147	118U5147	118U5147	118U5147	118U5147	118U5147
Back panel		118U5143	118U5148	118U5148	118U5148	118U5148	118U5148	118U5148	118U5148
Left side panel		118U5167	118U5168	118U5168	118U5168	118U5168	118U5168	118U5168	118U5168
Service panel	W05	118U5144	118U5149	118U5149	118U5149	118U5149	118U5149	118U5149	118U5149

MCC - Max Continuous Current
 LRA - Locked Rotor Amps
 XGE - FSC, Fan Speed Controller
 * - Spare part, Starting Kit

Component type	Component code	Component description	Additional informations
Acoustic Hood	120Z0575	ACOUSTIC HOOD COMP 1CYL	
Acoustic Hood	120Z5043	ACCOUSTIC HOOD - SMALL FRAME	
Acoustic Hood	120Z5044	Acoustic hood for Scroll MLZ compressor	
Acoustic Hood	120Z5045	ACCOUSTIC HOOD, LARGE FRAME	
Acoustic Hood	120Z5052	Sound Cover, LLZ013-018	
Back Panel B1	118U5143	SPARE PART, SHEET METAL BACK B1	
Back Panel B2	118U5148	SPARE PART, SHEET METAL BACK B2	
Back Panel B3	118U5153	SPARE PART, SHEET METAL BACK B3	
Brass plug (3/8" NPT)	118U4037	SPARE PART, 3/8" BRASS PLUG	3/8" NPT connection
Capacitor	8173001	CAPACITOR 100µF 330V+R	
Capacitor	8173041	CAPACITOR 30µF 450V	
Capacitor	117U5017	START CAPACITOR 80 mfd	
Capacitor	117U5012	Start Capacitor 125 mF, 220V/50Hz	
Capacitor	120Z0400	CAPACITOR 161-193µF 330V	
Compressor Single Pack	118U3914	FH2511Z	
Compressor Single Pack	118U3915	TFH2511Z	
Compressor Single Pack	118U3988	CAJ9510Z - AJ2 range	
Compressor Single Pack	118U3989	TAJ4519Z - AJ2 range	
Compressor Single Pack	118U3990	CAJ2464Z - AJ2 range	
Compressor Single Pack	118U3991	TAJ4517Z - AJ2 range	
Compressor Single Pack	118U3992	CAJ2446Z - AJ2 range	
Compressor Single Pack	118U3993	CAJ4517Z - AJ2 range	
Compressor Single Pack	118U3994	CAJ4519Z - AJ2 range	
Compressor Single Pack	118U3995	CAJ9513Z - AJ2 range	
Compressor Single Pack	118U3996	CAJ4511Y - AJ2 range	
Compressor Single Pack	118U3997	CAJ4492Y - AJ2 range	
Compressor Single Pack	120F0226	NTZ048-4LR1B	
Compressor Single Pack	120F0228	NTZ048-5LR1B	
Compressor Single Pack	120F0230	NTZ068-4LR1B	
Compressor Single Pack	120F0232	NTZ068-5LR1B	
Compressor Single Pack	121L8629	MLZ015T4LP9A	
Compressor Single Pack	121L8631	MLZ015T5LP9A	
Compressor Single Pack	121U8731	MLZ019T5LT9A COMPRESSOR	
Compressor Single Pack	120U8725	MLZ019T4LP9A COMPRESSOR	
Compressor Single Pack	121L8633	MLZ021T4LP9A	
Compressor Single Pack	121L8635	MLZ021T5LP9A	
Compressor Single Pack	121L8637	MLZ026T4LP9A	
Compressor Single Pack	121L8639	MLZ026T5LP9A	
Compressor Single Pack	121L8641	MLZ030T4LC9A	
Compressor Single Pack	121L8643	MLZ030T5LC9A	
Compressor Single Pack	121L8645	MLZ038T4LC9A	
Compressor Single Pack	121L8647	MLZ038T5LC9A	
Compressor Single Pack	121L8649	MLZ045T4LC9A	
Compressor Single Pack	121L8651	MLZ048T4LC9A	
Compressor Single Pack	121L9535	LLZ013T4LQ9A	
Compressor Single Pack	121L9537	LLZ015T4LQ9A	
Compressor Single Pack	121L9539	LLZ018T4LQ9A	
Compressor Single Pack	123B2126	MPT14LA	
Compressor Single Pack	123B2127	MPT16LA	
Compressor Single Pack	123B2514	MLY90RAb	
Compressor Single Pack	123B2518	MPT12RA	
Compressor Single Pack	123B2704	MPT14RA	
Compressor Single Pack	195B0050	SC12G	
Compressor Single Pack	195B0053	SC15G	
Compressor Single Pack	195B0059	SC18G	
Compressor Single Pack	195B0636	SC21G	
Compressor Single Pack	123B6001	CS26TB; 220-240V 50Hz ~1; I Pack	
Compressor Single Pack	123B6002	CS30TB; 220-240V 50Hz ~1; I Pack	
Compressor Single Pack	123B6003	DLY80RAb; 220-240V 50Hz ~1; I Pack	
Compressor Single Pack	123B6004	DLY90RAb; 220-240V 50Hz ~1; I Pack	
Compressor Single Pack	123B6005	DPT12RA; 220-240V 50Hz ~1; I Pack	
Compressor Single Pack	123B6006	DPT14RA; 220-240V 50Hz ~1; I Pack	
Compressor Single Pack	123B6007	DX18TBa; 220-240V 50Hz ~1; I Pack	
Compressor Single Pack	123B6008	DS22TB; 220-240V 50Hz ~1; I Pack	
Compressor Single Pack	123B6009	DS26TB; 220-240V 50Hz ~1; I Pack	
Compressor Single Pack	123B6010	DS34TB; 220-240V 50Hz ~1; I Pack	
Compressor Single Pack	123B6011	DS26T3; 400/440V 50/60Hz ~3; I Pack	
Compressor Single Pack	123B6012	DS34T3; 400/440V 50/60Hz ~3; I Pack	
Compressor Single Pack	123B6013	DPT14LA; 220-240V 50Hz ~1; I Pack	
Compressor Single Pack	123B6014	DPT16LA; 220-240V 50Hz ~1; I Pack	
Compressor Single Pack	123B6015	DST26NA; 220-240V 50Hz; I Pack	

Component type	Component code	Component description	Additional informations
Compressor Single Pack	123B6016	DST34LA; 220-240V 50Hz ~1; I Pac	
Condenser	118U3492	Spare part, A7 MCHX	Phased out & replaced by 118U5217 from SN: -096147CG0419
Condenser	118U3493	Spare part, D7 MCHX	Phased out & replaced by 118U5218 from SN: -096147CG0419
Condenser	118U3494	Spare part, G7 MCHX	Phased out & replaced by 118U5219 from SN: -096147CG0419
Contact kit	118U3867	KIT CONT,LC1E2501M6	
Contact kit	118U3868	KIT CONT,LC1E3801M6	
Contact kit	118U3893	KIT CONT,LC1E0901M5	
Contact kit	118U3894	KIT CONT,LC1E1201M5	
Contact kit	118U3895	KIT CONT,LC1E3201M5	
Contact kit	118U3896	KIT CONT,LC1E1801M5	
Crankcase heater	120Z0057	Belt type, 50 W, 230 V, CE mark, UL	
Crankcase heater	120Z0459	PTC heater 27 W, CE mark, UL	
Crankcase heater	120Z5040	Belt type, 70 W, 240 V, CE mark, UL	
Crankcase heater	118U0051	CRANKCASE HEATER 55W	
Door Handle	118U3858	HANDLE, ABB-OHB2AJM,MSMN,OXSSX131	
Dual pressure switch	060-539766	KP17WB Pressure Switch M/24	
E-box Cable gland	118U5258	SPARE PART, CABLE GLAND	
Fan assembly	118U3829	FAN ASSEMBLIES, EBM, ERP2015	
Fan blade	118U3480	FAN BLADE 14"	
Fan blade	118U3481	FAN BLADE 18"	
Fan capacitor	118U3296	CAPACITOR 1,8 µF	
Fan capacitor	118U3297	25PACITOR 3,5 µF	
Fan cowl/grill	118U3483	FAN GRILL HOUSING Ø356 mm	
Fan cowl/grill	118U3484	FAN GRILL HOUSING Ø457 mm	
Fan cowl/grill	118U3485	FAN GRILL HOUSING Ø609 mm	
Fan motor (Capacitor not included)	118U3477	FAN MOTOR 25W	
Fan motor (Capacitor not included)	118U3823	FAN MOTOR 68W	
Fan panel B1	118U5142	SPARE PART, SHEET METAL FAN B1	
Fan panel B2	118U5147	SPARE PART, SHEET METAL FAN B2	
Fan panel B3	118U5152	SPARE PART, SHEET METAL FAN B3	
Fan speed control Female connection	061H3248	XGE-2C	
Filter drier	023Z5040	DML083	
Filter drier	023Z5041	DML084	
Filter drier	023Z5044	DML164	
Fusible plug (1/4")	118U5170	SPARE PART, FUSIBLE PLUG	
Isolator switch	118U5117	SPARE PART, ISOLATOR SWITCH SHAFT ASSLY B1/B2	
Isolator switch	118U5120	SPARE PART, ISOLATOR SWITCH SHAFT ASSLY B3 3PH	
Isolator switch	118U5119	SPARE PART, ISOLATOR SWITCH SHAFT ASSLY B3 1PH	
Left Side Panel B1	118U5167	SPARE PART, SHEET METAL LEFT SIDE B1	
Left Side Panel B2	118U5168	SPARE PART, SHEET METAL LEFT SIDE B2	
Left Side Panel B3	118U5169	SPARE PART, SHEET METAL LEFT SIDE B3	
Main switch kit	118U3869	C60H2P25AC	
Main switch kit	118U3870	C60H2P32AC	
Main switch kit	118U3871	C60H2P40AC	
Main switch kit	118U3872	C60H4P10AC	
Main switch kit	118U3873	C60H4P16AC	
Main switch kit	118U3874	C60H4P20AC	
Main switch kit	118U3975	KIT CIRCUITBREAKER,C60H2P10A	
Main switch kit	118U3976	KIT CIRCUITBREAKER,C60H2P16A	
Main switch kit	118U3980	KIT CIRCUITBREAKER, -A9N2P06C	
Main switch kit	118U3851	KIT MPCB, ABB-MS116-10+HK1-20	
Main switch kit	118U3852	KIT MPCB, ABB-MS116-16+HK1-20	
Main switch kit	118U3853	KIT MPCB, ABB-MS116-6.3+HK1-20	
Main switch kit	118U3854	KIT MPCB, ABB-MS132-20+HK1-20	
Main switch kit	118U3855	KIT MPCB, ABB-MS132-25+HK1-20	
Main switch kit	118U3856	KIT MPCB, ABB-MS132-32+HK1-20	
Main switch kit	118U3857	KIT MPCB, ABB-MS450-40+HKS4-20	
Main switch kit	118U5162	SPARE PART, KIT MPCB MS116-4.0 2.5-4A	
Oil	-	POE32 for Light Commercial (MLY / MPT)	
Oil	-	RL32HA/HT for light Commercial (CAJ/FH/TAJ/TFH)	
Oil	120Z0638	1 litre can of 175PZ - POE (NTZ Platform)	CU with a SN above 051220CG3016
Oil	120Z0648	1 litre can of 215PZ - POE46 (MLZ & LLZ Platform)	CU with a SN above 051220CG3016
Overload relay	118U3875	KIT OL-RELAY, -LRE12+LAEB2	
Overload relay	118U3876	KIT OL-RELAY, -LRE14+LAEB2	
Overload relay	118U3877	KIT OL-RELAY, -LRE16+LAEB2	
Overload relay	118U3878	KIT OL-RELAY, -LRE21+LAEB2	
Overload relay	118U3879	KIT OL-RELAY, -LRE22+LAEB2	
Overload relay	118U3880	KIT OL-RELAY, -LRE32+LAEB2	
Overload relay	118U3881	KIT OL-RELAY, -LRE35+LAEB2	

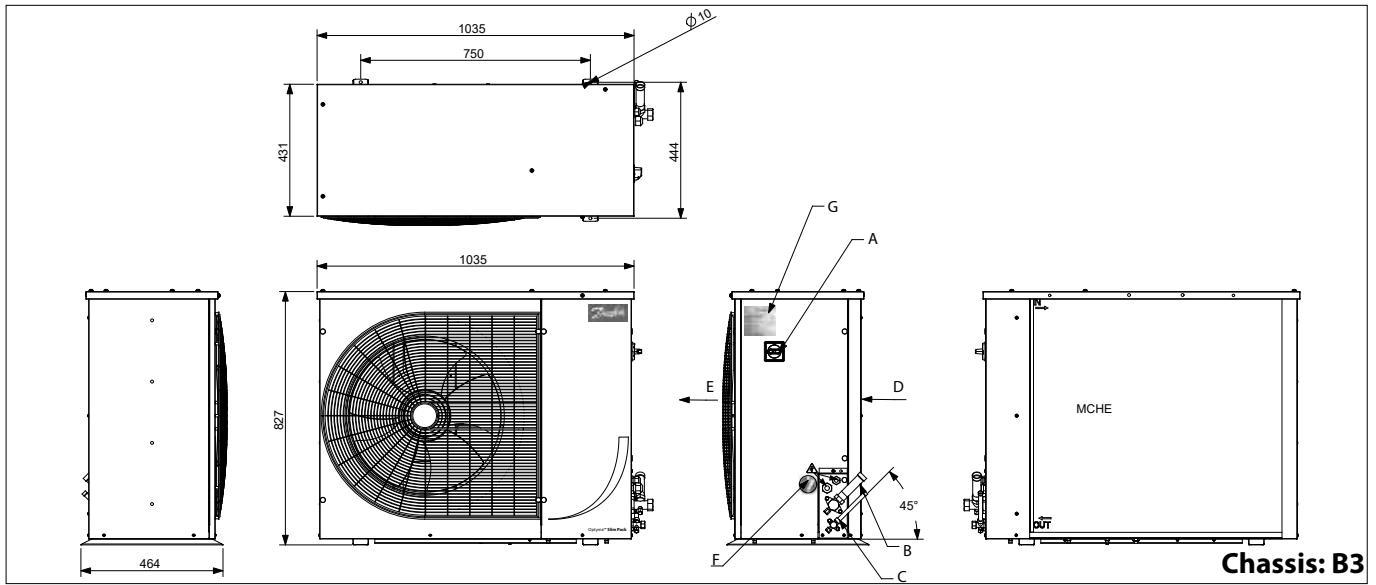
Component type	Component code	Component description	Additional informations
Overload relay	118U3978	KIT OL-RELAY, -LRE1	
Receiver	118U4020	LIQUID RECEIVER 1,3 L	
Receiver	118U4012	LIQUID RECEIVER 3,4 L	
Receiver	118U4014	LIQUID RECEIVER 6,2 L	
Receiver	118U4069	SPARE PART, RCVR 1.3L, 1/4x3/8	
Receiver	118U4070	SPARE PART, RCVR 3.4L, 1/2x1/2	
Relay	8173022	STARTING RELAY TYPE RVA6AMKL	
Relay	117U6013	STARTING RELAY	
Relay	117U6019	Starting Relay SC 50/60 Hz	
Relay	117U6011	STARTING RELAY SC 220V/60Hz	
Relay	117-7027	SC-RELAY	
Relay	117U6003	STARTING RELAY TL/SC 115V/50/60Hz	
Relay	117U6005	STARTING RELAY SC 220V/50Hz	
Relay	117-7029	SC-RELAY	
Relay	123B9133	RELAY + CON. BOARD 1149-8 BDG 149S+ NTC	
Relay	123B9139	RELAY + CON. BOARD 1166-8 BDG 166S+ NTC	
Relay	123B9151	RELAY + CON. BOARD 1158-8 BDG 158S+ NTC	
Run capacitor	8173231	Run capacitor 440V, 40 µF	
Run capacitor	8173233	Run capacitor 440V,50 µF	
Run capacitor	8173234	Run capacitor 440V,55 µF	
Run capacitor	120Z0051	Run capacitor 70 µF	
Run capacitor	123B9222	RUN CAPACITOR 10µF/420V, REF. 326	
Run capacitor	123B9219	RUN CAPACITOR 16µF/420V, REF. 321	
Run capacitor	123B9226	RUN CAPACITOR 25µF/420V, REF. 310 MET.	
Sequence phase relay	118U3882	SM500-MG73BF	
Service panel W05 B1	118U5144	SPARE PART, SHEET METAL SERVICE PANEL B1	
Service panel W05 B2	118U5149	SPARE PART, SHEET METAL SERVICE PANEL B2	
Service panel W05 B3	118U5154	SPARE PART, SHEET METAL SERVICE PANEL B3	
Service panel W09 B1	118U5156	SPARE PART, SHEET METAL SERVICE PANEL B1- W09	
Service panel W09 B2	118U5157	SPARE PART, SHEET METAL SERVICE PANEL B2 -W09	
Service panel W09 B3	118U5158	SPARE PART, SHEET METAL SERVICE PANEL B3 -W09	
Service valve	118U3761	SPARE PART - BRAZED SERVICE VALVE 1/2"	
Service valve	118U3414	SPARE PART - BRAZED SERVICE VALVE 3/8"	
Service valve	118U3762	SPARE PART VALVE- BRAZE SERVICE VALVE 3/4"	
Service valve	118U3763	SPARE PART-BRAZE SERVICE VALVE 7/8"	
Service valve	118U3764	SPARE PART-BRAZE SERVICE VALVE 5/8"	
Service valve	118U5253	SPARE PART, ECOSOFT SERVICE VLV 1/2"	
Service valve	118U5254	SPARE PART, ECOSOFT SERVICE VLV 3/8"	
Sight glass	014L0173	SGP 12 N	
Sight glass	014L0182	SGP 10s N	
Start capacitor	123B9316	STARTING CAPACITOR+CC 72-88µF/330V R216	
Start capacitor	123B9315	STARTING CAPACITOR+CC 64-77µF/330V R205	
Start capacitor	117U5373	START CAPACITOR 80 mfd	
Start capacitor	120Z0399	Start capacitor 145-175 F	
Start relay	120Z0393	Starting relay RVA9CKL	
Start relay	120Z0394	Starting relay RVA3EKL	
Start relay	120Z0395	Starting relay RVA4GKL	
Starting KIT	118U5191	CAJ2446Z _ F1 KIT Capacitor and relay	
Starting KIT	118U5192	CAJ2464Z _ F1 KIT Capacitor and relay	
Starting KIT	118U5193	CAJ4492Y _ F1 KIT Capacitor and relay	
Starting KIT	118U5194	CAJ4511Y _ F1KIT Capacitor and relay	
Starting KIT	118U5195	CAJ4517Z _ F1 KIT Capacitor and relay	
Starting KIT	118U5196	CAJ4519Z _ F1 KIT Capacitor and relay	
Starting KIT	118U5197	CAJ9510Z _ F1 KIT Capacitor and relay	
Starting KIT	118U5198	CAJ9513Z _ F1KIT Capacitor and relay	
Starting KIT	118U5199	FH2511Z _ F1KIT Capacitor and relay	
Timer	118U5257	SPARE PART, GIC TIMER	
Top Panel B1	118U5141	SPARE PART, SHEET METAL TOP B1	
Top Panel B2	118U5146	SPARE PART, SHEET METAL TOP B2	
Top Panel B3	118U5151	SPARE PART, SHEET METAL TOP B3	
Unit stand	118U5281	SPARE PART, B1 UNIT STAND (A2L)	
Unit stand	118U5282	SPARE PART, B2 UNIT STAND (A2L)	



- A Isolator Switch (W09 only)
- B Suction Valve
- C Liquid Valve

- D Air in
- E Air out
- F Door safety Lable

- G Name Plate
 - ⚠ Electrical Cables
- Note: all dimension are in mm



Chassis: B3

- A Isolator Switch (W09 only)
- B Suction Valve
- C Liquid Valve

- D Air in
- E Air out
- F Door safety Lable

- G Name Plate
 - Electrical Cables
- Note: all dimension are in mm



For electrical wiring diagrams refer to installation guide AN23308644013405-xxxxxx

Optyma™ Plus

Equipped for **quietness** and **top performance**

The same robust quality with added technology and smarter design. That's a seriously cool combination.



Quick and safe installation and service

Same serviceable units, upgraded for A2L refrigerants. Ignition proof tested in TÜV laboratory.



High SEPR*

All models in the range are highly efficient and well above EcoDesign 2018 thresholds, contributing to a reduction in energy costs. *SEPR: Seasonal Energy Performance Ratio.



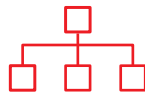
A2L

Multi-refrigerants units for complexity reduction, available with new code numbers. Go A2L for a sustainable compliant choice.



The best sound performance in the market

Due to its long-life compressor, acoustic insulation, component design as well as intelligent fan speed reduction during low capacity operation.



Connectivity

Contributes to considerable energy savings, making the Optyma™ Plus up to 20% more economical than an equivalent product.

Standard range (P00 and P02)

In-field stacking cuts costs

With its unique load-bearing design, it's possible to stack units in the field. This cuts installation time, and saves on carpentry and brackets to reduce cost.

Compact cabinet speeds installation

New compact design makes it easier to maneuver when fitting in tight spaces, saving installation time.

New MCHC alloy coils

New upgraded alloy with 1000 hours salt spray test



Accessibility to speed up service

Easier and quicker accessibility to all components with new double door design – saves time during servicing, maintenance and repair.

Intelligent technology speeds start-up and enhances reliability

Preset parameters make it easier to get it right from the start. Fewer mistakes reduce the risk of damage and save time and money on repairs.

P02: Scroll compressor with Liquid injection management for safety and reliability of installation using high glide refrigerants

Multi refrigerant range (P00 and P02) additional feature



A2L

IP54, Sealed electrical box

Fan-timer for ventilation before compressor starts

Electronic controller pre-programmed with A2Ls



Louvers and holes for compressor compartment ventilation

Factory machined flare connections approved for A2Ls

Multi A1/A2L refrigerants compressor

Electrical components approved for A2Ls



Stacking up to 2 units

Model	Code	Version	Refrigerant class	Electrical code (1)	Tamb [°C]	Cooling capacity Q [kW] (2)							EcoDesign (3)		Min Fuse rating gL/gG (A)	Sound pressure level 10 m dB(A)
						Evaporating Temperature (Mid point) [°C]							COP	SEPR		
						-40°C	-35°C	-30°C	-25°C	-20°C	-15°C	-10°C				
OP-LPVM016DP	114X3110	P00	A1 + A2L	G	27	0.34	0.48	0.62	0.78	0.95	1.14	1.33	0.97	-	10	31
					32	0.30	0.42	0.56	0.70	0.86	1.03	1.21				
					38	0.26	0.36	0.48	0.61	0.75	0.90	1.07				
					43	0.22	0.31	0.41	0.53	0.66	0.80	0.95				
OP-LPQM017MP	114X3118	P00	A1	G	27	-	0.47	0.61	0.76	0.93	1.11	-	0.98	-	10	29
					32	-	0.42	0.55	0.69	0.84	1.01	-				
					38	-	0.36	0.47	0.60	0.74	0.89	-				
					43	-	0.31	0.41	0.52	0.65	0.79	-				
OP-LPVM026DS	114X3201	P00	A1 + A2L	G	27	0.48	0.69	0.94	1.22	1.53	1.88	2.26	0.97	-	10	37
					32	0.43	0.62	0.85	1.12	1.41	1.74	2.10				
					38	0.38	0.55	0.75	0.99	1.26	1.57	1.91				
					43	0.34	0.49	0.67	0.89	1.14	1.43	1.75				
OP-LPQM026AJ	114X3216	P00	A1	G	27	0.50	0.70	0.93	1.20	1.52	1.89	-	0.99	-	16	36
					32	0.44	0.61	0.83	1.08	1.38	1.72	-				
					38	0.36	0.52	0.71	0.94	1.21	1.52	-				
					43	-	0.44	0.62	0.82	1.06	1.34	-				
OP-LPVM034DS	114X3202	P00	A1 + A2L	G	27	0.65	0.93	1.25	1.62	2.02	2.46	2.93	1.01	-	10	37
					32	0.59	0.85	1.14	1.48	1.85	2.27	2.72				
					38	0.52	0.74	1.01	1.31	1.66	2.04	2.46				
					43	0.46	0.66	0.90	1.17	1.49	1.85	2.24				
OP-LPQM048NT	114X3233	P00	A1	E	27	0.79	1.11	1.50	1.92	2.41	2.93	-	1.12	-	10	38
					32	0.68	0.98	1.33	1.72	2.16	2.63	-				
					38	0.54	0.82	1.14	1.48	1.87	2.28	-				
					43	0.42	0.68	0.97	1.28	1.62	1.99	-				
OP-LPQM048NT	114X3225	P00	A1	G	27	0.82	1.15	1.55	2.00	2.53	3.11	-	1.18	-	20	38
					32	0.70	1.00	1.37	1.78	2.26	2.79	-				
					38	0.57	0.84	1.16	1.53	1.96	2.43	-				
					43	0.47	0.71	1.00	1.33	1.71	2.13	-				
OP-LPQM068NT	114X3249	P00	A1	E	27	1.27	1.71	2.22	2.76	3.32	3.93	-	1.24	-	16	39
					32	1.11	1.50	1.96	2.45	2.96	3.51	-				
					38	0.92	1.26	1.66	2.08	2.55	3.02	-				
					43	0.77	1.07	1.43	1.80	2.21	2.62	-				
OP-LPQM068NT	114X3241	P00	A1	G	27	1.31	1.73	2.21	2.73	3.32	3.93	-	1.07	-	25	39
					32	1.12	1.51	1.95	2.43	2.97	3.53	-				
					38	0.91	1.25	1.65	2.08	2.56	3.05	-				
					43	0.73	1.05	1.41	1.80	2.23	2.66	-				
OP-LPQM074FH	114X3253	P00	A1	E	27	1.07	1.50	2.01	2.56	3.19	3.86	-	1.01	-	16	38
					32	0.91	1.30	1.76	2.28	2.86	3.48	-				
					38	0.72	1.07	1.49	1.95	2.47	3.03	-				
					43	-	0.90	1.27	1.68	2.15	2.66	-				
OP-LPQM074FH	114X3252	P00	A1	G	27	1.14	1.60	2.16	2.78	3.49	4.29	-	0.98	-	32	38
					32	0.96	1.40	1.91	2.49	3.16	3.90	-				
					38	0.75	1.15	1.62	2.15	2.76	3.43	-				
					43	-	0.95	1.38	1.86	2.42	3.04	-				
OP-LPOM067LL	114X3371	P02	A1	E	27	2.02	2.60	3.32	4.16	5.16	6.31	-	-	1.71	16	40
					32	1.88	2.41	3.07	3.85	4.78	5.85	-				
					38	1.72	2.19	2.78	3.47	4.31	5.28	-				
					43	1.58	2.00	2.53	3.15	3.91	4.80	-				
OP-LPOM084LL	114X3372	P02	A1	E	27	2.52	3.19	3.99	4.91	5.99	7.23	-	-	1.67	20	42
					32	2.33	2.94	3.69	4.54	5.55	6.70	-				
					38	2.09	2.64	3.31	4.08	4.99	6.03	-				
					43	1.88	2.38	2.98	3.68	4.50	5.45	-				

LBP

(1) G - Compressor 230V/1Ph/50Hz, fan 230V/1Ph/50Hz

E - Compressor 400V/3Ph/50Hz, fan 230V/1Ph/50Hz

(2) Nominal conditions (EN13215), Evaporating temperatures at Mid point, Superheat 10K, Subcooling 0K

(3) Rated conditions (EN13215), Evaporating temperature (Mid point) -35°C, Ambient air temperature +32°C, Return Gas Temperature 20°C, Subcooling 0K (NTZ comp models with 10K superheat)

This table continues on the next page



For regular updates and detailed capacities, please refer to **Coolselector®2** software



Model	Code	Version	Refrigerant class	Electrical code (1)	T _{amb} [°C]	Cooling capacity Q [kW] (2)							EcoDesign (3)		Min Fuse rating gL/gG (A)	Sound pressure level 10 m dB(A)
						Evaporating Temperature (Mid point) [°C]							COP	SEPR		
						-40°C	-35°C	-30°C	-25°C	-20°C	-15°C	-10°C				
OP-LPOM098LL	114X3373	P02	A1	E	27	2.94	3.72	4.64	5.69	6.92	8.30	-	-	1.68	20	43
					32	2.71	3.43	4.28	5.25	6.39	7.67	-				
					38	2.43	3.07	3.84	4.71	5.73	6.88	-				
					43	2.18	2.76	3.45	4.23	5.15	6.20	-				
OP-LPOM120LL	114X3485	P02	A1	E	27	3.79	4.82	6.06	7.49	9.18	11.14	-	-	1.76	32	47
					32	3.51	4.46	5.62	6.95	8.54	10.37	-				
					38	3.15	4.01	5.06	6.28	7.72	9.40	-				
					43	2.84	3.63	4.58	5.69	7.01	8.56	-				
OP-LPOM168LL	114X3486	P02	A1	E	27	5.43	6.86	8.58	10.55	12.85	15.46	-	-	1.82	40	47
					32	5.01	6.34	7.93	9.75	11.89	14.32	-				
					38	4.48	5.68	7.11	8.75	10.68	12.89	-				
					43	4.03	5.11	6.40	7.88	9.63	11.64	-				

LBP

(1) **G** - Compressor 230V/1Ph/50Hz, fan 230V/1Ph/50Hz

E - Compressor 400V/3Ph/50Hz, fan 230V/1Ph/50Hz

(2) Nominal conditions (EN13215), Evaporating temperatures at Mid point, Superheat 10K, Subcooling 0K

(3) Rated conditions (EN13215), Evaporating temperature (Mid point) -35°C, Ambient air temperature +32°C, Return Gas Temperature 20°C, Subcooling 0K (NTZ comp models with 10K superheat)

Opty™ Plus



For regular updates and detailed capacities, please refer to **Coolselector®2** software



Model	Code	Version	Refrigerant class	Electrical code (1)	Tamb [°C]	Cooling capacity Q [kW] (2)							EcoDesign (3)		Min Fuse rating gL/gG (A)	Sound pressure level 10 m dB(A)
						Evaporating Temperature (Mid point) [°C]							COP	SEPR		
						-40°C	-35°C	-30°C	-25°C	-20°C	-15°C	-10°C				
OP-LPVM016DP	114X3110	P00	A1 + A2L	G	27	0.38	0.54	0.71	0.91	1.12	1.35	1.60	1.02	-	10	31
					32	0.34	0.48	0.64	0.82	1.02	1.23	1.47				
					38	0.29	0.41	0.55	0.71	0.89	1.09	1.31				
					43	0.25	0.36	0.48	0.63	0.79	0.97	1.18				
OP-LPQM017MP	114X3118	P00	A1	G	27	-	0.54	0.71	0.91	1.12	1.35	-	1.08	-	10	29
					32	-	0.48	0.64	0.82	1.02	1.23	-				
					38	-	0.41	0.55	0.71	0.89	1.09	-				
					43	-	0.36	0.48	0.63	0.79	0.97	-				
OP-LPVM026DS	114X3201	P00	A1 + A2L	G	27	0.48	0.70	0.94	1.22	1.52	1.86	2.22	0.97	-	10	37
					32	0.43	0.63	0.86	1.12	1.40	1.72	2.06				
					38	0.38	0.56	0.76	1.00	1.26	1.55	1.87				
					43	0.35	0.50	0.68	0.90	1.14	1.41	1.71				
OP-LPQM026AJ	114X3216	P00	A1	G	27	0.53	0.74	0.98	1.28	1.62	2.00	-	1.02	-	16	36
					32	0.46	0.65	0.88	1.15	1.46	1.82	-				
					38	0.37	0.54	0.75	0.99	1.27	1.60	-				
					43	-	0.46	0.64	0.86	1.12	1.41	-				
OP-LPVM034DS	114X3202	P00	A1 + A2L	G	27	0.66	0.96	1.30	1.68	2.09	2.54	3.03	1.03	-	10	37
					32	0.60	0.87	1.19	1.54	1.92	2.35	2.81				
					38	0.53	0.77	1.05	1.37	1.72	2.12	2.55				
					43	0.47	0.68	0.94	1.23	1.55	1.92	2.32				
OP-LPQM048NT	114X3225	P00	A1	G	27	0.79	1.15	1.59	2.11	2.71	3.38	-	1.04	-	20	38
					32	0.67	1.00	1.40	1.88	2.43	3.05	-				
					38	0.52	0.82	1.18	1.60	2.09	2.65	-				
					43	0.40	0.67	0.99	1.37	1.81	-	-				
OP-LPQM048NT	114X3233	P00	A1	E	27	0.80	1.16	1.59	2.10	2.67	3.32	-	1.16	-	10	38
					32	0.68	1.02	1.41	1.87	2.40	2.99	-				
					38	0.55	0.85	1.20	1.60	2.07	2.60	-				
					43	0.44	0.70	1.02	1.38	1.80	-	-				
OP-LPQM068NT	114X3241	P00	A1	G	27	1.35	1.82	2.37	3.02	3.76	4.59	-	1.10	-	25	39
					32	1.21	1.63	2.13	2.72	3.39	4.13	-				
					38	1.04	1.41	1.85	2.36	2.94	3.60	-				
					43	0.90	1.23	1.62	2.07	2.58	-	-				
OP-LPQM068NT	114X3249	P00	A1	E	27	1.38	1.88	2.46	3.13	3.88	4.70	-	1.20	-	16	39
					32	1.19	1.65	2.18	2.79	3.48	4.23	-				
					38	0.99	1.39	1.87	2.40	3.01	3.69	-				
					43	0.83	1.20	1.62	2.10	2.64	-	-				
OP-LPQM074FH	114X3253	P00	A1	E	27	1.19	1.69	2.28	2.95	3.72	4.57	-	1.08	-	16	38
					32	1.00	1.45	1.99	2.61	3.32	4.10	-				
					38	0.79	1.19	1.66	2.22	2.85	3.55	-				
					43	0.63	0.98	1.41	1.90	2.47	3.11	-				
OP-LPQM074FH	114X3252	P00	A1	G	27	1.19	1.68	2.25	2.91	3.66	4.49	-	0.98	-	32	38
					32	1.00	1.45	1.99	2.60	3.29	4.06	-				
					38	0.77	1.19	1.67	2.23	2.85	3.55	-				
					43	0.58	0.97	1.41	1.92	2.49	3.12	-				
OP-LPOM067LL	114X3371	P02	A1	E	27	2.23	2.85	3.57	4.42	5.40	6.52	-	-	1.69	16	40
					32	2.04	2.62	3.30	4.09	5.00	6.04	-				
					38	1.80	2.34	2.96	3.67	4.49	5.43	-				
					43	1.60	2.09	2.65	3.30	4.05	4.90	-				

This table continues on the next page

LBP

(1) G - Compressor 230V/1Ph/50Hz, fan 230V/1Ph/50Hz

E - Compressor 400V/3Ph/50Hz, fan 230V/1Ph/50Hz

(2) Nominal conditions (EN13215), Evaporating temperatures at Mid point, Superheat 10K, Subcooling 0K

(3) Rated conditions (EN13215), Evaporating temperature (Mid point) -35°C, Ambient air temperature +32°C, Return Gas Temperature 20°C, Subcooling 0K (NTZ comp models with 10K superheat)



For regular updates and detailed capacities, please refer to **Coolselector®2** software



Model	Code	Version	Refrigerant class	Electrical code (1)	Tamb [°C]	Cooling capacity Q [kW] (2)							EcoDesign (3)		Min Fuse rating gL/gG (A)	Sound pressure level 10 m dB(A)
						Evaporating Temperature (Mid point) [°C]							COP	SEPR		
						-40°C	-35°C	-30°C	-25°C	-20°C	-15°C	-10°C				
OP-LPOM084LL	114X3372	P02	A1	E	27	2.68	3.40	4.27	5.30	6.49	7.85	-	-	1.71	20	42
					32	2.46	3.13	3.94	4.88	5.98	7.23	-				
					38	2.19	2.80	3.52	4.36	5.34	6.46	-				
					43	1.95	2.50	3.15	3.91	4.79	5.79	-				
OP-LPOM098LL	114X3373	P02	A1	E	27	3.11	3.95	4.95	6.12	7.47	9.00	-	-	1.75	20	43
					32	2.86	3.64	4.56	5.64	6.87	8.28	-				
					38	2.54	3.24	4.07	5.02	6.12	7.37	-				
					43	2.26	2.89	3.63	4.49	5.48	6.59	-				
OP-LPOM120LL	114X3485	P02	A1	E	27	3.90	4.93	6.14	7.56	9.16	10.96	-	-	1.65	32	47
					32	3.57	4.52	5.64	6.93	8.39	10.04	-				
					38	3.16	4.01	5.01	6.15	7.44	8.88	-				
					43	2.80	3.57	4.45	5.47	6.61	7.89	-				
OP-LPOM168LL	114X3486	P02	A1	E	27	5.20	6.48	7.96	9.634	11.49	13.52	-	-	1.68	40	47
					32	4.70	5.88	7.22	8.73	10.39	12.21	-				
					38	4.05	5.10	6.27	7.58	9.01	10.57	-				
					43	3.45	4.39	5.42	6.55	7.78	9.13	-				

LBP
(1) G - Compressor 230V/1Ph/50Hz, fan 230V/1Ph/50Hz

E - Compressor 400V/3Ph/50Hz, fan 230V/1Ph/50Hz

(2) Nominal conditions (EN13215), Evaporating temperatures at Mid point, Superheat 10K, Subcooling 0K

(3) Rated conditions (EN13215), Evaporating temperature (Mid point) -35°C, Ambient air temperature +32°C, Return Gas Temperature 20°C, Subcooling 0K (NTZ comp models with 10K superheat)

 For regular updates and detailed capacities, please refer to **Coolselector®2** software


Model	Code	Version	Refrigerant class	Electrical code (1)	T _{amb} [°C]	Cooling capacity Q [kW] (2)							EcoDesign (3)		Min Fuse rating gL/gG (A)	Sound pressure level 10 m dB(A)
						Evaporating Temperature (Mid point) [°C]							COP	SEPR		
						-40°C	-35°C	-30°C	-25°C	-20°C	-15°C	-10°C				
OP-LPOM067LL	114X3371	P02	A1	E	27	2.09	2.75	3.52	4.43	5.48	6.67	-	-	1.60	16	40
					32	1.98	2.59	3.31	4.15	5.13	6.24	-				
					38	1.85	2.40	3.05	3.81	4.70	5.71	-				
					43	1.76	2.25	2.83	3.52	4.33	5.26	-				
OP-LPOM084LL	114X3372	P02	A1	E	27	2.61	3.46	4.44	5.56	6.86	8.32	-	-	1.64	20	42
					32	2.46	3.26	4.18	5.23	6.44	7.80	-				
					38	2.28	3.02	3.86	4.82	5.93	7.17	-				
					43	2.14	2.82	3.59	4.47	5.49	6.63	-				
OP-LPOM098LL	114X3373	P02	A1	E	27	3.12	4.09	5.22	6.52	8.05	9.77	-	-	1.75	20	43
					32	2.95	3.86	4.91	6.14	7.57	9.18	-				
					38	2.74	3.58	4.55	5.67	6.98	8.46	-				
					43	2.56	3.34	4.23	5.27	6.48	7.85	-				
OP-LPOM120LL	114X3485	P02	A1	E	27	3.89	5.00	6.29	7.81	9.60	11.64	-	-	1.65	32	47
					32	3.67	4.71	5.91	7.32	8.99	10.88	-				
					38	3.39	4.34	5.44	6.72	8.23	9.95	-				
					43	3.13	4.01	5.02	6.20	7.58	9.15	-				
OP-LPOM168LL	114X3486	P02	A1	E	27	5.53	7.06	8.84	10.91	13.33	16.04	-	-	1.81	40	47
					32	5.23	6.65	8.31	10.23	12.48	15.00	-				
					38	4.85	6.14	7.64	9.38	11.41	13.71	-				
					43	4.52	5.70	7.06	8.64	10.49	12.59	-				

LBP
(1) G - Compressor 230V/1Ph/50Hz, fan 230V/1Ph/50Hz

E - Compressor 400V/3Ph/50Hz, fan 230V/1Ph/50Hz

(2) Nominal conditions (EN13215), Evaporating temperatures at Mid point, Superheat 10K, Subcooling 0K

(3) Rated conditions (EN13215), Evaporating temperature (Mid point) -35°C, Ambient air temperature +32°C, Return Gas Temperature 20°C, Subcooling 0K (NTZ comp models with 10K superheat)

 For regular updates and detailed capacities, please refer to **Coolselector®2** software


Model	Code	Version	Refrigerant class	Electrical code (1)	Tamb [°C]	Cooling capacity Q [kW] (2)							EcoDesign (3)		Min Fuse rating gL/gG (A)	Sound pressure level @ 10m dB(A)
						Evaporating Temperature (Mid point) [°C]							COP	SEPR		
						-40°C	-35°C	-30°C	-25°C	-20°C	-15°C	-10°C				
OP-LPVM016DP	114X3110	P00	A1 + A2L	G	27	0.37	0.50	0.64	0.80	0.97	1.16	1.36	0.93	-	10	31
					32	0.33	0.44	0.57	0.72	0.88	1.06	1.25				
					38	0.27	0.37	0.49	0.62	0.77	0.93	1.11				
					43	0.23	0.32	0.42	0.54	0.68	0.83	1.00				
OP-LPVM026DS	114X3201	P00	A1 + A2L	G	27	0.47	0.67	0.90	1.17	1.46	1.77	2.12	0.95	-	10	37
					32	0.42	0.60	0.82	1.07	1.34	1.64	1.97				
					38	0.36	0.53	0.72	0.95	1.20	1.48	1.79				
					43	0.32	0.47	0.64	0.85	1.09	1.35	1.65				
OP-LPVM034DS	114X3202	P00	A1 + A2L	G	27	0.73	1.03	1.39	1.78	2.21	2.67	3.18	1.00	-	10	37
					32	0.65	0.93	1.26	1.62	2.03	2.47	2.95				
					38	0.57	0.82	1.11	1.44	1.82	2.23	2.68				
					43	0.50	0.72	0.99	1.30	1.65	2.03	2.46				

LBP

(1) **G** - Compressor 230V/1Ph/50Hz, fan 230V/1Ph/50Hz
E - Compressor 400V/3Ph/50Hz, fan 230V/1Ph/50Hz

(2) Nominal conditions (EN13215), Evaporating temperatures at Mid point, Superheat 10K, Subcooling 0K

(3) Rated conditions (EN13215), Evaporating temperature (Mid point) -35°C, Ambient air temperature +32°C, Return Gas Temperature 20°C, Subcooling 0K (NTZ comp models with 10K superheat)

Optyma™ Plus



For regular updates and detailed capacities, please refer to **Coolselector®2** software



Model	Code	Version	Refrigerant class	Electrical code (1)	Tamb [°C]	Cooling capacity Q [kW] (2)							EcoDesign (3)		Min Fuse rating gL/gG (A)	Sound pressure level @ 10m dB(A)
						Evaporating Temperature (Mid point) [°C]							COP	SEPR		
						-40°C	-35°C	-30°C	-25°C	-20°C	-15°C	-10°C				
OP-LPVM016DP	114X3110	P00	A1 + A2L	G	27	0.27	0.40	0.54	0.69	0.86	1.05	1.25	0.87	-	10	31
					32	0.24	0.35	0.48	0.62	0.78	0.96	1.14				
					38	0.20	0.30	0.41	0.54	0.68	0.85	1.02				
					43	0.17	0.25	0.35	0.47	0.60	0.75	0.92				
OP-LPVM026DS	114X3201	P00	A1 + A2L	G	27	0.39	0.57	0.78	1.02	1.28	1.58	1.91	0.87	-	10	37
					32	0.35	0.52	0.71	0.93	1.18	1.47	1.78				
					38	0.31	0.45	0.63	0.83	1.06	1.33	1.62				
					43	0.27	0.40	0.56	0.75	0.96	1.21	1.49				
OP-LPVM034DS	114X3202	P00	A1 + A2L	G	27	0.63	0.91	1.24	1.61	2.03	2.48	2.98	0.96	-	10	37
					32	0.57	0.82	1.13	1.47	1.86	2.30	2.77				
					38	0.50	0.72	1.00	1.31	1.67	2.08	2.52				
					43	0.44	0.64	0.89	1.18	1.51	1.89	2.31				

LBP
(1) G - Compressor 230V/1Ph/50Hz, fan 230V/1Ph/50Hz

E - Compressor 400V/3Ph/50Hz, fan 230V/1Ph/50Hz

(2) Nominal conditions (EN13215), Evaporating temperatures at Mid point, Superheat 10K, Subcooling 0K

(3) Rated conditions (EN13215), Evaporating temperature (Mid point) -35°C, Ambient air temperature +32°C, Return Gas Temperature 20°C, Subcooling 0K (NTZ comp models with 10K superheat)

 For regular updates and detailed capacities, please refer to **Coolselector®2** software


Model	Code	Version	Refrigerant class	Electrical code (1)	Tamb [°C]	Cooling capacity Q [kW] (2)							EcoDesign (3)		Min Fuse rating gL/gG (A)	Sound pressure level 10 m dB(A)
						Evaporating Temperature (Mid point) [°C]							COP	SEPR		
						-15°C	-10°C	-5°C	0°C	5°C	10°C	15°C				
OP-MPSM026CS	114X4243	P00	A1 + A2L	G	27	1.12	1.43	1.79	2.17	2.59	3.04	3.52	1.99	-	10	37
					32	1.01	1.31	1.65	2.02	2.42	2.86	3.33				
					38	0.88	1.16	1.48	1.83	2.22	2.64	3.09				
					43	0.78	1.04	1.34	1.67	2.04	2.45	2.89				
OP-MPSM030CS	114X4244	P00	A1 + A2L	G	27	1.28	1.65	2.07	2.53	3.03	3.56	4.13	1.89	-	10	37
					32	1.16	1.51	1.91	2.35	2.83	3.34	3.90				
					38	1.02	1.35	1.72	2.13	2.59	3.09	3.62				
					43	0.90	1.21	1.56	1.95	2.39	2.87	3.39				
OP-MPGM033AJ	114X4220	P00	A1	G	27	1.44	1.83	2.28	2.78	3.35	3.98	4.67	2.05	-	16	36
					32	1.32	1.69	2.12	2.60	3.13	3.73	4.39				
					38	1.18	1.53	1.92	2.37	2.87	3.43	4.04				
					43	1.05	1.38	1.76	2.18	2.64	3.17	3.74				
OP-MPXM034ML	114X4264	P00	A1	E	27	1.81	2.28	2.83	3.46	4.18	5.00	5.90	2.25	-	16	37
					32	1.71	2.16	2.68	3.29	3.98	4.76	5.63				
					38	1.59	2.01	2.50	3.07	3.72	4.46	5.29				
					43	1.49	1.88	2.34	2.88	3.50	4.20	4.99				
OP-MPXM034ML	114X4261	P00	A1	G	27	1.82	2.32	2.88	3.51	4.21	5.00	5.87	2.17	-	25	37
					32	1.71	2.18	2.73	3.33	4.02	4.78	5.63				
					38	1.58	2.02	2.53	3.11	3.77	4.50	5.32				
					43	1.47	1.89	2.36	2.91	3.54	4.25	5.04				
OP-MPXM046ML	114X4284	P00	A1	E	27	2.47	3.09	3.81	4.66	5.61	6.69	7.87	2.33	-	20	37
					32	2.33	2.92	3.61	4.41	5.33	6.35	7.49				
					38	2.16	2.71	3.36	4.11	4.97	5.94	7.01				
					43	2.02	2.53	3.14	3.86	4.67	5.59	6.60				
OP-MPXM046ML	114X4281	P00	A1	G	27	2.46	3.11	3.85	4.69	5.62	6.66	7.81	2.07	-	40	37
					32	2.31	2.93	3.64	4.44	5.35	6.35	7.47				
					38	2.14	2.71	3.37	4.13	4.99	5.95	7.03				
					43	2.00	2.52	3.14	3.85	4.67	5.60	6.63				
OP-MPXM057ML	114X4293	P00	A1	E	27	2.98	3.74	4.62	5.63	6.76	8.02	9.40	2.28	-	20	37
					32	2.81	3.53	4.37	5.33	6.40	7.61	8.93				
					38	2.59	3.27	4.06	4.95	5.97	7.10	8.34				
					43	2.41	3.05	3.79	4.64	5.59	6.66	7.84				
OP-MPXM057ML	114X4290	P00	A1	G	27	2.98	3.76	4.64	5.64	6.76	7.99	9.34	1.90	-	40	37
					32	2.80	3.54	4.38	5.33	6.40	7.59	8.90				
					38	2.60	3.27	4.05	4.94	5.95	7.08	8.33				
					43	2.44	3.04	3.77	4.60	5.56	6.63	7.83				
OP-MPXM068ML	114X4311	P00	A1	E	27	3.68	4.63	5.73	7.01	8.47	10.10	11.92	2.37	-	20	38
					32	3.48	4.38	5.43	6.65	8.04	9.61	11.36				
					38	3.24	4.07	5.06	6.21	7.52	9.00	10.66				
					43	3.03	3.82	4.74	5.83	7.07	8.48	10.05				
OP-MPXM068ML	114X4308	P00	A1	G	27	3.78	4.65	5.75	7.03	8.47	10.03	11.69	2.08	-	50	38
					32	3.64	4.42	5.44	6.67	8.05	9.58	11.21				
					38	3.47	4.14	5.07	6.21	7.53	9.00	10.59				
					43	3.35	3.91	4.75	5.81	7.07	8.48	10.03				
OP-MPXM080ML	114X4324	P00	A1	E	27	4.28	5.38	6.66	8.12	9.78	11.63	13.67	-	3.43	20	38
					32	4.02	5.08	6.30	7.70	9.28	11.05	13.00				
					38	3.71	4.71	5.86	7.17	8.66	10.33	12.17				
					43	3.45	4.39	5.48	6.72	8.13	9.70	11.46				

This table continues on the next page

MBP

(1) **G** - Compressor 230V/1Ph/50Hz, fan 230V/1Ph/50Hz

E - Compressor 400V/3Ph/50Hz, fan 230V/1Ph/50Hz

(2) Nominal conditions (EN13215), Evaporating temperatures at Mid point, Superheat 10K, Subcooling 0K

(3) Rated conditions (EN13215), Evaporating temperature (Mid) -10°C, Ambient air temperature +32°C, Return Gas Temperature 20°C, Subcooling 0K



For regular updates and detailed capacities, please refer to **Coolselector®2** software



Model	Code	Version	Refrigerant class	Electrical code (1)	T _{amb} [°C]	Cooling capacity Q [kW] (2)							EcoDesign (3)		Min Fuse rating g _L /gG (A)	Sound pressure level 10 m dB(A)
						Evaporating Temperature (Mid point) [°C]							COP	SEPR		
						-15°C	-10°C	-5°C	0°C	5°C	10°C	15°C				
OP-MPXM080ML	114X4321	P00	A1	G	27	4.25	5.46	6.78	8.23	9.82	11.58	13.52	-	3.03	50	38
					32	3.95	5.13	6.41	7.80	9.33	11.03	12.89				
					38	3.56	4.70	5.92	7.25	8.71	10.33	12.11				
					43	3.22	4.32	5.50	6.77	8.17	9.721	11.43				
OP-MPXM108ML	114X4344	P00	A1	E	27	5.63	7.05	8.70	10.6	12.72	15.06	17.59	-	3.74	25	44
					32	5.29	6.64	8.22	10.03	12.06	14.3	16.73				
					38	4.88	6.14	7.62	9.32	11.24	13.35	15.65				
					43	4.54	5.71	7.10	8.70	10.52	12.52	14.71				
OP-MPXM125ML	114X4414	P00	A1	E	27	6.77	8.47	10.42	12.63	15.11	17.86	20.91	-	3.40	32	46
					32	6.34	7.97	9.84	11.96	14.33	16.96	19.87				
					38	5.81	7.36	9.13	11.13	13.36	15.85	18.60				
					43	5.36	6.84	8.51	10.41	12.54	14.90	17.52				
OP-MPXM162ML	114X4434	P00	A1	E	27	8.69	10.88	13.39	16.23	19.42	22.94	26.82	-	3.46	40	46
					32	8.16	10.25	12.64	15.35	18.4	21.78	25.51				
					38	7.54	9.47	11.71	14.26	17.14	20.34	23.87				
					43	7.03	8.83	10.93	13.33	16.05	19.09	22.45				

MBP

(1) G - Compressor 230V/1Ph/50Hz, fan 230V/1Ph/50Hz

E - Compressor 400V/3Ph/50Hz, fan 230V/1Ph/50Hz

(2) Nominal conditions (EN13215), Evaporating temperatures at Mid point, Superheat 10K, Subcooling 0K

(3) Rated conditions (EN13215), Evaporating temperature (Mid) -10°C, Ambient air temperature +32°C, Return Gas Temperature 20°C, Subcooling 0K



For regular updates and detailed capacities, please refer to **Coolselector®2** software



Model	Code	Version	Refrigerant class	Electrical code (1)	Tamb [°C]	Cooling capacity Q [kW] (2)							EcoDesign (3)		Min Fuse rating gL/gG (A)	Sound pressure level 10 m dB(A)
						Evaporating Temperature (Mid point) [°C]							COP	SEPR		
						-15°C	-10°C	-5°C	0°C	5°C	10°C	15°C				
OP-MPSM026CS	114X4243	P00	A1 + A2L	G	27	1.16	1.50	1.87	2.28	2.73	3.22	3.74	2.02	-	10	37
					32	1.05	1.36	1.72	2.12	2.55	3.02	3.53				
					38	0.91	1.21	1.54	1.92	2.33	2.78	3.28				
					43	0.80	1.08	1.39	1.75	2.15	2.59	3.07				
OP-MPSM030CS	114X4244	P00	A1 + A2L	G	27	1.33	1.72	2.16	2.65	3.18	3.76	4.38	1.89	-	10	37
					32	1.20	1.57	1.99	2.46	2.97	3.53	4.13				
					38	1.05	1.40	1.79	2.23	2.72	3.26	3.84				
					43	0.92	1.25	1.62	2.04	2.51	3.03	3.60				
OP-MPGM033AJ	114X4220	P00	A1	G	27	1.51	1.90	2.35	2.85	3.42	4.04	4.72	2.03	-	16	36
					32	1.38	1.75	2.17	2.64	3.17	3.75	4.39				
					38	1.23	1.57	1.95	2.39	2.87	3.41	4.00				
					43	1.09	1.41	1.77	2.17	2.62	3.12	3.67				
OP-MPXM034ML	114X4264	P00	A1	E	27	1.94	2.40	2.95	3.59	4.34	5.18	6.14	2.29	-	16	37
					32	1.81	2.25	2.77	3.38	4.09	4.90	5.81				
					38	1.66	2.07	2.56	3.13	3.78	4.54	5.40				
					43	1.53	1.92	2.37	2.91	3.52	4.24	5.05				
OP-MPXM034ML	114X4261	P00	A1	G	27	1.91	2.37	2.92	3.57	4.31	5.17	6.14	2.23	-	25	37
					32	1.80	2.23	2.75	3.36	4.07	4.88	5.80				
					38	1.65	2.06	2.54	3.11	3.77	4.52	5.38				
					43	1.53	1.91	2.37	2.89	3.51	4.22	5.02				
OP-MPXM046ML	114X4284	P00	A1	E	27	2.62	3.24	3.97	4.81	5.76	6.84	8.03	2.37	-	20	37
					32	2.44	3.04	3.73	4.53	5.43	6.46	7.60				
					38	2.22	2.78	3.43	4.18	5.03	5.99	7.06				
					43	2.04	2.56	3.17	3.87	4.67	5.58	6.60				
OP-MPXM046ML	114X4281	P00	A1	G	27	2.55	3.17	3.89	4.72	5.67	6.75	7.95	2.02	-	40	37
					32	2.39	2.98	3.66	4.46	5.36	6.38	7.53				
					38	2.19	2.74	3.38	4.12	4.97	5.93	7.01				
					43	2.02	2.54	3.14	3.84	4.64	5.54	6.56				
OP-MPXM057ML	114X4293	P00	A1	E	27	3.19	3.95	4.83	5.83	6.95	8.20	9.57	2.37	-	20	37
					32	2.96	3.69	4.53	5.48	6.55	7.74	9.05				
					38	2.68	3.37	4.15	5.04	6.05	7.17	8.40				
					43	2.44	3.09	3.83	4.67	5.61	6.67	7.84				
OP-MPXM057ML	114X4290	P00	A1	G	27	3.14	3.88	4.75	5.73	6.85	8.10	9.47	2.11	-	40	37
					32	2.93	3.65	4.47	5.40	6.46	7.64	8.94				
					38	2.68	3.35	4.12	4.99	5.98	7.08	8.29				
					43	2.47	3.10	3.82	4.64	5.56	6.59	7.74				
OP-MPXM068ML	114X4311	P00	A1	E	27	3.99	4.92	6.03	7.31	8.79	10.4	12.36	2.52	-	20	38
					32	3.74	4.64	5.69	6.91	8.32	9.92	11.72				
					38	3.43	4.27	5.26	6.40	7.72	9.22	10.91				
					43	3.17	3.96	4.89	5.96	7.20	8.61	10.22				
OP-MPXM068ML	114X4308	P00	A1	G	27	3.93	4.84	5.92	7.17	8.60	10.24	12.07	2.31	-	50	38
					32	3.68	4.55	5.57	6.76	8.13	9.69	11.44				
					38	3.36	4.18	5.14	6.25	7.54	9.00	10.66				
					43	3.09	3.86	4.76	5.81	7.03	8.41	9.98				
OP-MPXM080ML	114X4324	P00	A1	E	27	4.66	5.75	7.02	8.49	10.17	12.07	14.20	-	3.89	20	38
					32	4.38	5.41	6.61	8.00	9.60	11.40	13.41				
					38	4.01	4.97	6.09	7.39	8.88	10.56	12.45				
					43	3.69	4.60	5.65	6.87	8.26	9.85	11.63				

This table continues on the next page

MBP

(1) G - Compressor 230V/1Ph/50Hz, fan 230V/1Ph/50Hz

E - Compressor 400V/3Ph/50Hz, fan 230V/1Ph/50Hz

(2) Nominal conditions (EN13215), Evaporating temperatures at Mid point, Superheat 10K, Subcooling 0K

(3) Rated conditions (EN13215), Evaporating temperature (Mid) -10°C, Ambient air temperature +32°C, Return Gas Temperature 20°C, Subcooling 0K



For regular updates and detailed capacities, please refer to **Coolselector®2** software



Model	Code	Version	Refrigerant class	Electrical code (1)	Tamb [°C]	Cooling capacity Q [kW] (2)							EcoDesign (3)		Min Fuse rating gL/gG (A)	Sound pressure level 10 m dB(A)
						Evaporating Temperature (Mid point) [°C]							COP	SEPR		
						-15°C	-10°C	-5°C	0°C	5°C	10°C	15°C				
OP-MPXM080ML	114X4321	P00	A1	G	27	4.59	5.67	6.95	8.43	10.13	12.04	14.17	-	3.24	50	38
					32	4.30	5.34	6.55	7.96	9.56	11.38	13.41				
					38	3.95	4.92	6.05	7.37	8.86	10.57	12.48				
					43	3.64	4.56	5.62	6.85	8.26	9.86	11.67				
OP-MPXM108ML	114X4344	P00	A1	E	27	6.07	7.49	9.13	11.02	13.16	15.56	18.22	-	3.84	25	44
					32	5.65	7.00	8.56	10.36	12.39	14.67	17.2				
					38	5.12	6.39	7.86	9.53	11.43	13.57	15.96				
					43	4.68	5.87	7.25	8.82	10.61	12.63	14.88				
OP-MPXM125ML	114X4414	P00	A1	E	27	7.28	9.00	11.02	13.34	15.98	18.96	22.29	-	3.73	32	46
					32	6.80	8.45	10.37	12.57	15.09	17.92	21.10				
					38	6.20	7.75	9.55	11.61	13.97	16.63	19.62				
					43	5.69	7.15	8.84	10.78	13.00	15.51	18.35				
OP-MPXM162ML	114X4434	P00	A1	E	27	8.90	11.06	13.55	16.39	19.61	23.19	27.16	-	3.23	40	46
					32	8.27	10.32	12.68	15.38	18.42	21.82	25.59				
					38	7.50	9.41	11.62	14.13	16.96	20.13	23.66				
					43	6.84	8.64	10.71	13.06	15.71	18.69	22.03				

MBP
(1) G - Compressor 230V/1Ph/50Hz, fan 230V/1Ph/50Hz

E - Compressor 400V/3Ph/50Hz, fan 230V/1Ph/50Hz

(2) Nominal conditions (EN13215), Evaporating temperatures at Mid point, Superheat 10K, Subcooling 0K

(3) Rated conditions (EN13215), Evaporating temperature (Mid) -10°C, Ambient air temperature +32°C, Return Gas Temperature 20°C, Subcooling 0K

 For regular updates and detailed capacities, please refer to **Coolselector®2** software


Model	Code	Version	Refrigerant class	Electrical code (1)	Tamb [°C]	Cooling capacity Q [kW] (2)								EcoDesign (3)		Min Fuse rating gL/gG (A)	Sound pressure level @ 10m dB(A)
						Evaporating Temperature (Mid point) [°C]								COP	SEPR		
						-15°C	-10°C	-5°C	0°C	5°C	10°C	15°C					
OP-MPSM026CS	114X4243	P00	A1 + A2L	G	27	1.09	1.40	1.76	2.15	2.57	3.04	3.53	1.94	-	10	37	
					32	0.98	1.28	1.61	1.99	2.40	2.85	3.33					
					38	0.85	1.13	1.44	1.80	2.19	2.62	3.10					
					43	0.74	1.00	1.30	1.64	2.02	2.43	2.90					
OP-MPSM030CS	114X4244	P00	A1 + A2L	G	27	1.24	1.61	2.03	2.48	2.99	3.53	4.12	1.83	-	10	37	
					32	1.12	1.47	1.86	2.30	2.79	3.31	3.89					
					38	0.97	1.30	1.67	2.08	2.54	3.05	3.61					
					43	0.86	1.16	1.51	1.90	2.34	2.84	3.38					

MBP
(1) G - Compressor 230V/1Ph/50Hz, fan 230V/1Ph/50Hz

E - Compressor 400V/3Ph/50Hz, fan 230V/1Ph/50Hz

(2) Nominal conditions (EN13215), Evaporating temperatures at Mid point, Superheat 10K, Subcooling 0K

(3) Rated conditions (EN13215), Evaporating temperature (Mid) -10°C, Ambient air temperature +32°C, Return Gas Temperature 20°C, Subcooling 0K

 For regular updates and detailed capacities, please refer to **Coolselector®2** software


Model	Code	Version	Refrigerant class	Electrical code (1)	T _{amb} [°C]	Cooling capacity Q [kW] (2)						EcoDesign (3)		Min Fuse rating gL/gG (A)	Sound pressure level 10 m dB(A)
						Evaporating Temperature (Mid point) [°C]						COP	SEPR		
						-20°C	-15°C	-10°C	-5°C	0°C	5°C				
OP-MPTM008DY	114X4107	P00	A1 + A2L	G	27	0.77	0.96	1.17	1.38	1.62	1.86	2.24	-	10	31
					32	0.68	0.86	1.05	1.25	1.46	1.69				
					38	0.58	0.73	0.90	1.08	1.28	1.49				
					43	0.50	0.63	0.78	0.95	1.13	1.33				
OP-MPTM009DY	114X4111	P00	A1 + A2L	G	27	0.87	1.08	1.29	1.52	1.75	2.00	2.04	-	10	31
					32	0.78	0.96	1.16	1.37	1.59	1.82				
					38	0.67	0.83	1.01	1.19	1.39	1.60				
					43	0.58	0.72	0.88	1.05	1.23	1.42				
OP-MPTM012DP	114X4113	P00	A1 + A2L	G	27	1.12	1.37	1.64	1.92	2.21	2.50	1.85	-	10	31
					32	0.99	1.22	1.47	1.72	1.99	2.27				
					38	0.85	1.05	1.26	1.49	1.74	1.99				
					43	0.73	0.90	1.10	1.30	1.53	1.76				
OP-MPTM014DP	114X4114	P00	A1 + A2L	G	27	1.18	1.43	1.70	1.98	2.27	2.58	1.78	-	10	31
					32	1.07	1.30	1.55	1.81	2.09	2.39				
					38	0.94	1.15	1.37	1.62	1.88	2.15				
					43	0.84	1.02	1.23	1.45	1.70	1.96				
OP-MPTM018DX	114X4115	P00	A1 + A2L	G	27	1.24	1.49	1.75	2.03	2.32	2.63	1.65	-	10	38
					32	1.13	1.36	1.60	1.86	2.14	2.43				
					38	1.00	1.21	1.43	1.67	1.92	2.20				
					43	0.89	1.08	1.28	1.50	1.74	2.00				
OP-MPTM022DS	114X4237	P00	A1 + A2L	G	27	1.80	2.20	2.64	3.14	3.68	4.25	1.9	-	10	38
					32	1.63	1.99	2.40	2.86	3.35	3.88				
					38	1.42	1.75	2.12	2.52	2.96	3.44				
					43	1.25	1.55	1.88	2.24	2.63	3.06				
OP-MPTM026DS	114X4238	P00	A1 + A2L	G	27	2.21	2.70	3.22	3.77	4.33	4.91	1.83	-	10	38
					32	1.95	2.40	2.87	3.37	3.89	4.44				
					38	1.64	2.03	2.45	2.90	3.37	3.88				
					43	1.38	1.73	2.11	2.51	2.94	3.41				
OP-MPTM026DS	114X4239	P00	A1 + A2L	E	27	2.23	2.73	3.26	3.80	4.38	4.96	1.79	-	10	38
					32	1.97	2.42	2.90	3.40	3.93	4.49				
					38	1.65	2.05	2.48	2.93	3.41	3.92				
					43	1.40	1.75	2.13	2.54	2.97	3.44				
OP-MPTM034DS	114X4241	P00	A1 + A2L	G	27	2.24	2.91	3.66	4.50	5.43	6.43	1.79	-	10	38
					32	2.01	2.63	3.34	4.12	5.00	5.95				
					38	1.72	2.29	2.94	3.67	4.48	5.37				
					43	1.47	2.00	2.61	3.28	4.05	4.88				
OP-MPTM034DS	114X4242	P00	A1 + A2L	E	27	2.27	2.94	3.70	4.54	5.48	6.49	1.75	-	10	38
					32	2.03	2.66	3.37	4.17	5.05	6.01				
					38	1.74	2.31	2.97	3.71	4.53	5.43				
					43	1.49	2.02	2.63	3.32	4.09	4.93				
OP-MPXM034ML	114X4264	P00	A1	E	27	2.59	3.21	3.90	4.70	5.58	6.58	2.29	-	16	37
					32	2.40	2.99	3.64	4.39	5.23	6.17				
					38	2.17	2.70	3.31	4.01	4.79	5.67				
					43	-	2.46	3.02	3.67	4.40	5.23				
OP-MPXM034ML	114X4261	P00	A1	G	27	2.58	3.20	3.90	4.70	5.59	6.59	2.35	-	25	37
					32	2.41	2.99	3.65	4.41	5.24	6.19				
					38	2.19	2.73	3.34	4.04	4.82	5.70				
					43	-	2.51	3.07	3.72	4.45	5.27				

This table continues on the next page

MBP

(1) G - Compressor 230V/1~/50Hz, fan 230V/1~/50Hz

E - Compressor 400V/3~/50Hz, fan 230V/1~/50Hz

(2) Nominal conditions (EN13215), Evaporating temperatures at Mid point, Superheat 10K, Subcooling 0K

(3) Rated conditions (EN13215), Evaporating temperature (Mid point) -10°C, Ambient air temperature +32°C, Return Gas Temperature 20°C, Subcooling 0K



For regular updates and detailed capacities, please refer to **Coolselector®2** software



Model	Code	Version	Refrigerant class	Electrical code (1)	Tamb [°C]	Cooling capacity Q [kW] (2)							EcoDesign (3)		Min Fuse rating gL/g(A)	Sound pressure level 10 m dB(A)
						Evaporating Temperature (Mid point) [°C]							COP	SEPR		
						-20°C	-15°C	-10°C	-5°C	0°C	5°C	10°C				
OP-MPXM046ML	114X4284	P00	A1	E	27	3.45	4.26	5.16	6.18	7.30	8.55	-	2.22	-	20	37
					32	3.19	3.95	4.79	5.75	6.81	7.99	-				
					38	2.87	3.56	4.33	5.22	6.19	7.29	-				
					43	-	3.23	3.94	4.76	5.66	6.68	-				
OP-MPXM046ML	114X4281	P00	A1	G	27	3.47	4.28	5.18	6.22	7.36	8.63	-	2.13	-	40	37
					32	3.22	3.98	4.83	5.81	6.88	8.09	-				
					38	2.91	3.61	4.39	5.29	6.28	7.41	-				
					43	-	3.30	4.02	4.85	5.77	6.82	-				
OP-MPXM057ML	114X4293	P00	A1	E	27	4.17	5.14	6.21	7.41	8.71	10.14	-	-	3.47	20	37
					32	3.82	4.73	5.73	6.86	8.08	9.42	-				
					38	3.38	4.22	5.13	6.17	7.28	8.52	-				
					43	-	3.77	4.61	5.57	6.59	7.73	-				
OP-MPXM057ML	114X4290	P00	A1	G	27	4.22	5.19	6.27	7.49	8.81	10.28	-	-	3.24	40	37
					32	3.90	4.80	5.80	6.94	8.18	9.56	-				
					38	3.49	4.31	5.22	6.25	7.38	8.65	-				
					43	-	3.88	4.70	5.65	6.68	7.85	-				
OP-MPXM068ML	114X4308	P00	A1	G	27	5.26	6.49	7.87	9.46	11.20	13.18	-	-	3.59	50	38
					32	4.88	6.04	7.33	8.83	10.49	12.36	-				
					38	4.40	5.47	6.67	8.05	9.59	11.35	-				
					43	-	4.99	6.09	7.38	8.81	10.47	-				
OP-MPXM068ML	114X4311	P00	A1	E	27	5.30	6.52	7.89	9.48	11.22	13.19	-	-	3.78	20	38
					32	4.90	6.06	7.35	8.84	10.49	12.36	-				
					38	4.41	5.47	6.66	8.047	9.57	11.32	-				
					43	-	4.96	6.06	7.347	8.77	10.41	-				
OP-MPXM080ML	114X4321	P00	A1	G	27	6.06	7.45	8.99	10.75	12.65	14.77	-	-	3.34	50	38
					32	5.65	6.96	8.40	10.05	11.84	13.84	-				
					38	5.14	6.34	7.67	9.18	10.83	12.68	-				
					43	-	5.81	7.03	8.42	9.94	11.67	-				
OP-MPXM080ML	114X4324	P00	A1	E	27	6.15	7.55	9.10	10.87	12.80	14.95	-	-	3.78	20	38
					32	5.69	7.00	8.45	10.12	11.94	13.98	-				
					38	5.11	6.31	7.65	9.18	10.87	12.76	-				
					43	-	5.72	6.95	8.38	9.94	11.71	-				
OP-MPXM108ML	114X4344	P00	A1	E	27	8.02	9.85	11.88	14.19	16.69	19.49	-	-	3.63	25	44
					32	7.40	9.11	11.01	13.17	15.52	18.16	-				
					38	6.63	8.19	9.92	11.90	14.06	16.49	-				
					43	-	7.40	8.98	10.79	12.78	15.04	-				
OP-MPXM125ML	114X4414	P00	A1	E	27	9.53	11.72	14.15	16.92	19.93	23.30	-	-	3.72	32	46
					32	8.83	10.88	13.15	15.76	18.60	21.78	-				
					38	7.95	9.82	11.91	14.3	16.92	19.87	-				
					43	-	8.91	10.83	13.04	15.46	18.21	-				
OP-MPXM162ML	114X4434	P00	A1	E	27	11.59	14.43	17.59	21.22	25.16	29.57	-	-	3.43	40	46
					32	10.60	13.27	16.25	19.67	23.40	27.59	-				
					38	9.37	11.82	14.55	17.71	21.18	25.08	-				
					43	-	10.57	13.08	16.01	19.23	22.89	-				

MBP

(1) G - Compressor 230V/1~/50Hz, fan 230V/1~/50Hz

E - Compressor 400V/3~/50Hz, fan 230V/1~/50Hz

(2) Nominal conditions (EN13215), Evaporating temperatures at Mid point, Superheat 10K, Subcooling 0K

(3) Rated conditions (EN13215), Evaporating temperature (Mid point) -10°C, Ambient air temperature +32°C, Return Gas Temperature 20°C, Subcooling 0K



For regular updates and detailed capacities, please refer to **Coolselector®2** software



Model	Code	Version	Refrigerant class	Electrical code (1)	Tamb [°C]	Cooling capacity Q [kW] (2)						EcoDesign (3)		Min Fuse rating gL/gG (A)	Sound pressure level 10 m dB(A)
						Evaporating Temperature (Mid point) [°C]						COP	SEPR		
						-20°C	-15°C	-10°C	-5°C	0°C	5°C				
OP-MPTM008DY	114X4107	P00	A1 + A2L	G	27	0.77	0.96	1.17	1.38	1.62	1.86	2.24	-	10	31
					32	0.68	0.86	1.05	1.25	1.46	1.69				
					38	0.58	0.73	0.90	1.08	1.28	1.49				
					43	0.50	0.63	0.78	0.95	1.13	1.33				
OP-MPTM009DY	114X4111	P00	A1 + A2L	G	27	0.87	1.08	1.29	1.52	1.75	2.00	2.04	-	10	31
					32	0.78	0.96	1.16	1.37	1.59	1.82				
					38	0.67	0.83	1.01	1.19	1.39	1.60				
					43	0.58	0.72	0.88	1.05	1.23	1.42				
OP-MPTM012DP	114X4113	P00	A1 + A2L	G	27	1.12	1.37	1.64	1.92	2.21	2.50	1.85	-	10	31
					32	0.99	1.22	1.47	1.72	1.99	2.27				
					38	0.85	1.05	1.26	1.49	1.74	1.99				
					43	0.73	0.90	1.10	1.30	1.53	1.76				
OP-MPTM014DP	114X4114	P00	A1 + A2L	G	27	1.18	1.43	1.70	1.98	2.27	2.58	1.78	-	10	31
					32	1.07	1.30	1.55	1.81	2.09	2.39				
					38	0.94	1.15	1.37	1.62	1.88	2.15				
					43	0.84	1.02	1.23	1.45	1.70	1.96				
OP-MPTM018DX	114X4115	P00	A1 + A2L	G	27	1.24	1.49	1.75	2.03	2.32	2.63	1.65	-	10	38
					32	1.13	1.36	1.60	1.86	2.14	2.43				
					38	1.00	1.21	1.43	1.67	1.92	2.20				
					43	0.89	1.08	1.28	1.50	1.74	2.00				
OP-MPTM022DS	114X4237	P00	A1 + A2L	G	27	1.80	2.20	2.64	3.14	3.68	4.25	1.9	-	10	38
					32	1.63	1.99	2.40	2.86	3.35	3.88				
					38	1.42	1.75	2.12	2.52	2.96	3.44				
					43	1.25	1.55	1.88	2.24	2.63	3.06				
OP-MPTM026DS	114X4238	P00	A1 + A2L	G	27	2.21	2.70	3.22	3.77	4.33	4.91	1.83	-	10	38
					32	1.95	2.40	2.87	3.37	3.89	4.44				
					38	1.64	2.03	2.45	2.90	3.37	3.88				
					43	1.38	1.73	2.11	2.51	2.94	3.41				
OP-MPTM026DS	114X4239	P00	A1 + A2L	E	27	2.23	2.73	3.26	3.80	4.38	4.96	1.79	-	10	38
					32	1.97	2.42	2.90	3.40	3.93	4.49				
					38	1.65	2.05	2.48	2.93	3.41	3.92				
					43	1.40	1.75	2.13	2.54	2.97	3.44				
OP-MPTM034DS	114X4241	P00	A1 + A2L	G	27	2.24	2.91	3.66	4.50	5.43	6.43	1.79	-	10	38
					32	2.01	2.63	3.34	4.12	5.00	5.95				
					38	1.72	2.29	2.94	3.67	4.48	5.37				
					43	1.47	2.00	2.61	3.28	4.05	4.88				
OP-MPTM034DS	114X4242	P00	A1 + A2L	E	27	2.27	2.94	3.70	4.54	5.48	6.49	1.75	-	10	38
					32	2.03	2.66	3.37	4.17	5.05	6.01				
					38	1.74	2.31	2.97	3.71	4.53	5.43				
					43	1.49	2.02	2.63	3.32	4.09	4.93				
OP-MPYM008MY	114X4119	P00	A1	G	27	-	0.63	0.82	1.02	1.24	1.46	1.93	-	10	29
					32	-	0.57	0.74	0.93	1.13	1.35				
					38	-	0.50	0.66	0.83	1.01	1.21				
					43	-	0.44	0.58	0.74	0.91	1.09				
OP-MPYM009MY	114X4120	P00	A1	G	27	-	0.66	0.87	1.09	1.32	1.56	1.89	-	10	30
					32	-	0.60	0.80	1.00	1.21	1.44				
					38	-	0.54	0.71	0.89	1.08	1.29				
					43	-	0.48	0.63	0.80	0.97	1.16				

MBP This table continues on the next page

(1) G - Compressor 230V/1~/50Hz, fan 230V/1~/50Hz

E - Compressor 400V/3~/50Hz, fan 230V/1~/50Hz

(2) Nominal conditions (EN13215), Evaporating temperatures at Mid point, Superheat 10K, Subcooling 0K

(3) Rated conditions (EN13215), Evaporating temperature (Mid point) -10°C, Ambient air temperature +32°C, Return Gas Temperature 20°C, Subcooling 0K

SEPR, Seasonal Energy Performance Ratio

Q [kW], Cooling Capacity

P [kW], Power Input



For regular updates and detailed capacities, please refer to **Coolselector®2** software



Model	Code	Version	Refrigerant class	Electrical code (1)	Tamb [°C]	Cooling capacity Q [kW] (2)							EcoDesign (3)		Min Fuse rating gL/gG (A)	Sound pressure level 10 m dB(A)
						Evaporating Temperature (Mid point) [°C]							COP	SEPR		
						-20°C	-15°C	-10°C	-5°C	0°C	5°C	10°C				
OP-MPYM012MP	114X4121	P00	A1	G	27	-	0.93	1.19	1.47	1.76	2.06	-	1.89	-	10	32
					32	-	0.84	1.09	1.35	1.62	1.90	-				
					38	-	0.75	0.97	1.20	1.44	1.70	-				
					43	-	0.67	0.86	1.08	1.30	1.54	-				
OP-MPYM014MP	114X4122	P00	A1	G	27	-	0.97	1.25	1.54	1.85	2.19	-	1.60	-	16	29
					32	-	0.89	1.14	1.42	1.71	2.03	-				
					38	-	0.79	1.02	1.27	1.54	1.83	-				
					43	-	0.71	0.92	1.15	1.40	1.67	-				
OP-MPOM018AJ	114X4230	P00	A1	G	27	0.93	1.23	1.59	2.02	2.52	3.11	3.79	1.91	-	16	36
					32	0.85	1.13	1.46	1.86	2.33	2.88	3.52				
					38	-	1.01	1.32	1.68	2.11	2.62	3.20				
					43	-	0.91	1.19	1.53	1.93	2.40	2.95				
OP-MPOM024AJ	114X4200	P00	A1	G	27	1.15	1.54	2.02	2.57	3.22	3.96	4.79	2.08	-	20	36
					32	1.04	1.40	1.84	2.36	2.96	3.65	4.43				
					38	-	1.24	1.64	2.11	2.66	3.29	4.02				
					43	-	1.10	1.47	1.90	2.41	3.00	3.67				
OP-MPOM026AJ	114X4212	P00	A1	G	27	1.32	1.73	2.22	2.80	3.46	4.23	5.10	2.06	-	20	36
					32	1.20	1.59	2.04	2.58	3.20	3.92	4.73				
					38	-	1.41	1.83	2.32	2.89	3.55	4.30				
					43	-	1.27	1.65	2.10	2.63	3.25	3.95				
OP-MPOM026AJ	114X4213	P00	A1	E	27	1.29	1.73	2.23	2.81	3.49	4.26	5.14	1.97	-	10	36
					32	1.16	1.57	2.04	2.59	3.23	3.96	4.78				
					38	-	1.38	1.82	2.33	2.91	3.59	4.35				
					43	-	1.23	1.63	2.10	2.65	3.28	4.00				
OP-MPOM034AJ	114X4227	P00	A1	E	27	1.65	2.17	2.77	3.47	4.27	5.17	6.19	1.94	-	10	36
					32	1.51	1.99	2.56	3.21	3.96	4.81	5.76				
					38	-	1.78	2.30	2.90	3.59	4.37	5.26				
					43	-	1.59	2.08	2.64	3.28	4.01	4.84				
OP-MPOM034AJ	114X4226	P00	A1	G	27	1.65	2.18	2.80	3.52	4.34	5.26	6.30	1.86	-	20	36
					32	1.49	2.00	2.58	3.25	4.01	4.88	5.86				
					38	-	1.77	2.31	2.92	3.63	4.43	5.33				
					43	-	1.58	2.08	2.65	3.30	4.05	4.88				
OP-MPXM034ML	114X4264	P00	A1	E	27	2.59	3.21	3.90	4.70	5.58	6.58	-	2.29	-	16	37
					32	2.40	2.99	3.64	4.39	5.23	6.17	-				
					38	2.17	2.70	3.31	4.01	4.79	5.67	-				
					43	-	2.46	3.02	3.67	4.40	5.23	-				
OP-MPXM034ML	114X4261	P00	A1	G	27	2.58	3.20	3.90	4.70	5.59	6.59	-	2.35	-	25	37
					32	2.41	2.99	3.65	4.41	5.24	6.19	-				
					38	2.19	2.73	3.34	4.04	4.82	5.70	-				
					43	-	2.51	3.07	3.72	4.45	5.27	-				
OP-MPXM046ML	114X4284	P00	A1	E	27	3.45	4.26	5.16	6.18	7.30	8.55	-	2.22	-	20	37
					32	3.19	3.95	4.79	5.75	6.81	7.99	-				
					38	2.87	3.56	4.33	5.22	6.19	7.29	-				
					43	-	3.23	3.94	4.76	5.66	6.68	-				
OP-MPXM046ML	114X4281	P00	A1	G	27	3.47	4.28	5.18	6.22	7.36	8.63	-	2.13	-	40	37
					32	3.22	3.98	4.83	5.81	6.88	8.09	-				
					38	2.917	3.61	4.39	5.29	6.28	7.41	-				
					43	-	3.30	4.02	4.85	5.77	6.82	-				

MBP

(1) G - Compressor 230V/1~/50Hz, fan 230V/1~/50Hz
 E - Compressor 400V/3~/50Hz, fan 230V/1~/50Hz

(2) Nominal conditions (EN13215), Evaporating temperatures at Mid point, Superheat 10K, Subcooling 0K

(3) Rated conditions (EN13215), Evaporating temperature (Mid point) -10°C, Ambient air temperature +32°C, Return Gas Temperature 20°C, Subcooling 0K

SEPR, Seasonal Energy Performance Ratio

Q [kW], Cooling Capacity

P [kW], Power Input

This table continues on the next page



For regular updates and detailed capacities, please refer to **Coolselector®2** software



Model	Code	Version	Refrigerant class	Electrical code (1)	T _{amb} [°C]	Cooling capacity Q [kW] (2)							EcoDesign (3)		Min Fuse rating gL/gG (A)	Sound pressure level 10 m dB(A)
						Evaporating Temperature (Mid point) [°C]							COP	SEPR		
						-20°C	-15°C	-10°C	-5°C	0°C	5°C	10°C				
OP-MPXM057ML	114X4293	P00	A1	E	27	4.17	5.14	6.21	7.41	8.71	10.14	-	2.06	3.47	20	37
					32	3.82	4.73	5.73	6.86	8.08	9.42	-				
					38	3.38	4.22	5.13	6.17	7.28	8.52	-				
					43	-	3.77	4.61	5.57	6.59	7.73	-				
OP-MPXM057ML	114X4290	P00	A1	G	27	4.22	5.19	6.27	7.49	8.81	10.28	-	2.00	3.24	40	37
					32	3.90	4.80	5.80	6.94	8.18	9.56	-				
					38	3.49	4.31	5.22	6.25	7.38	8.65	-				
					43	-	3.88	4.709	5.653	6.68	7.85	-				
OP-MPXM068ML	114X4308	P00	A1	G	27	5.26	6.49	7.87	9.46	11.20	13.18	-	2.32	3.59	50	38
					32	4.88	6.04	7.33	8.83	10.49	12.36	-				
					38	4.40	5.47	6.67	8.05	9.59	11.35	-				
					43	-	4.99	6.09	7.38	8.81	10.47	-				
OP-MPXM068ML	114X4311	P00	A1	E	27	5.30	6.52	7.89	9.48	11.22	13.19	-	2.43	3.78	20	38
					32	4.90	6.06	7.35	8.84	10.49	12.36	-				
					38	4.41	5.47	6.66	8.04	9.57	11.32	-				
					43	-	4.96	6.06	7.34	8.77	10.41	-				
OP-MPXM080ML	114X4321	P00	A1	G	27	6.06	7.45	8.99	10.75	12.65	14.77	-	2.20	3.34	50	38
					32	5.65	6.96	8.40	10.05	11.84	13.84	-				
					38	5.14	6.34	7.67	9.18	10.83	12.68	-				
					43	-	5.81	7.03	8.42	9.94	11.67	-				
OP-MPXM080ML	114X4324	P00	A1	E	27	6.15	7.55	9.10	10.87	12.80	14.95	-	2.38	3.78	20	38
					32	5.69	7.00	8.45	10.12	11.94	13.98	-				
					38	5.11	6.31	7.65	9.18	10.87	12.76	-				
					43	-	5.72	6.95	8.38	9.94	11.71	-				
OP-MPXM108ML	114X4344	P00	A1	E	27	8.02	9.85	11.88	14.19	16.69	19.49	-	2.19	3.63	25	44
					32	7.40	9.11	11.01	13.17	15.52	18.16	-				
					38	6.63	8.19	9.92	11.90	14.06	16.49	-				
					43	-	7.40	8.98	10.79	12.78	15.04	-				
OP-MPXM125ML	114X4414	P00	A1	E	27	9.53	11.72	14.15	16.92	19.93	23.30	-	2.31	3.72	32	46
					32	8.83	10.88	13.15	15.76	18.60	21.78	-				
					38	7.95	9.82	11.91	14.3	16.92	19.87	-				
					43	-	8.91	10.83	13.04	15.46	18.21	-				
OP-MPXM162ML	114X4434	P00	A1	E	27	11.59	14.43	17.59	21.22	25.16	29.57	-	2.14	3.43	40	46
					32	10.60	13.27	16.25	19.67	23.40	27.59	-				
					38	9.37	11.82	14.55	17.71	21.18	25.08	-				
					43	-	10.57	13.08	16.01	19.23	22.89	-				

MBP
(1) G - Compressor 230V/1~/50Hz, fan 230V/1~/50Hz

E - Compressor 400V/3~/50Hz, fan 230V/1~/50Hz

(2) Nominal conditions (EN13215), Evaporating temperatures at Mid point, Superheat 10K, Subcooling 0K

(3) Rated conditions (EN13215), Evaporating temperature (Mid point) -10°C, Ambient air temperature +32°C, Return Gas Temperature 20°C, Subcooling 0K

SEPR, Seasonal Energy Performance Ratio

Q [kW], Cooling Capacity

P [kW], Power Input


For regular updates and detailed capacities, please refer to **Coolselector®2** software


Model	Code	Version	Refrigerant class	Electrical code (1)	Tamb [°C]	Cooling capacity Q [kW] (2)							EcoDesign (3)		Min Fuse rating gL/gG (A)	Sound pressure level 10 m dB(A)
						Evaporating Temperature (Mid point) [°C]							COP	SEPR		
						-20°C	-15°C	-10°C	-5°C	0°C	5°C	10°C				
OP-MPTM008DY	114X4107	P00	A1 + A2L	G	27	0.57	0.73	0.91	1.09	1.29	1.50	1.72	2.25	-	10	31
					32	0.51	0.65	0.81	0.98	1.17	1.36	1.56				
					38	0.44	0.56	0.70	0.85	1.02	1.19	1.38				
					43	0.38	0.49	0.61	0.74	0.89	1.05	1.23				
OP-MPTM009DY	114X4111	P00	A1 + A2L	G	27	0.66	0.85	1.05	1.26	1.48	1.72	1.96	2.21	-	10	31
					32	0.59	0.76	0.94	1.13	1.34	1.56	1.78				
					38	0.51	0.65	0.81	0.98	1.17	1.36	1.57				
					43	0.44	0.57	0.70	0.86	1.02	1.20	1.40				
OP-MPTM012DP	114X4113	P00	A1 + A2L	G	27	0.90	1.14	1.39	1.65	1.92	2.20	2.48	1.97	-	10	31
					32	0.80	1.02	1.24	1.48	1.73	1.98	2.25				
					38	0.68	0.87	1.07	1.28	1.50	1.73	1.98				
					43	0.59	0.75	0.93	1.11	1.31	1.52	1.75				
OP-MPTM014DP	114X4114	P00	A1 + A2L	G	27	0.93	1.16	1.42	1.69	1.99	2.30	2.64	1.87	-	10	31
					32	0.84	1.05	1.28	1.54	1.82	2.12	2.44				
					38	0.73	0.92	1.13	1.36	1.62	1.90	2.20				
					43	0.64	0.81	1.00	1.22	1.45	1.71	2.00				
OP-MPBM018AJ	114X4230	P00	A1	G	27	1.01	1.29	1.61	1.98	2.40	2.87	-	1.69	-	16	33
					32	0.92	1.17	1.47	1.81	2.19	2.63	-				
					38	0.80	1.03	1.30	1.61	1.95	2.35	-				
					43	0.71	0.92	1.15	1.43	-	-	-				
OP-MPTM018DX	114X4115	P00	A1 + A2L	G	27	1.00	1.26	1.54	1.83	2.14	2.46	2.79	1.71	-	10	38
					32	0.89	1.12	1.37	1.64	1.93	2.22	2.53				
					38	0.75	0.96	1.18	1.42	1.67	1.94	2.23				
					43	0.65	0.82	1.02	1.23	1.46	1.71	1.97				
OP-MPBM024AJ	114X4200	P00	A1	G	27	1.27	1.65	2.07	2.57	3.12	3.74	-	1.87	-	20	33
					32	1.14	1.49	1.88	2.34	2.85	3.42	-				
					38	0.98	1.29	1.65	2.06	2.52	3.04	-				
					43	0.85	1.13	1.45	1.83	-	-	-				
OP-MPBM026AJ	114X4212	P00	A1	G	27	1.44	1.83	2.27	2.78	3.34	3.98	-	1.84	-	20	36
					32	1.30	1.66	2.07	2.54	3.06	3.65	-				
					38	1.13	1.46	1.82	2.24	2.717	3.25	-				
					43	0.99	1.29	1.62	2.00	-	-	-				
OP-MPBM026AJ	114X4213	P00	A1	E	27	1.41	1.82	2.27	2.79	3.36	4.01	-	1.74	-	10	36
					32	1.26	1.64	2.06	2.54	3.07	3.67	-				
					38	1.08	1.43	1.81	2.24	2.72	3.27	-				
					43	0.93	1.24	1.59	1.99	-	-	-				
OP-MPTM022DS	114X4237	P00	A1 + A2L	G	27	1.46	1.82	2.24	2.70	3.22	3.79	4.41	1.98	-	10	38
					32	1.30	1.64	2.02	2.45	2.93	3.45	4.03				
					38	1.12	1.42	1.77	2.15	2.58	3.05	3.56				
					43	0.97	1.25	1.56	1.90	2.29	2.71	3.17				
OP-MPBM034AJ	114X4227	P00	A1	E	27	1.83	2.32	2.88	3.51	4.20	4.99	-	1.76	-	10	37
					32	1.65	2.12	2.63	3.21	3.86	4.58	-				
					38	1.44	1.86	2.32	2.85	3.44	4.09	-				
					43	1.25	1.64	2.07	2.55	-	-	-				
OP-MPTM026DS	114X4238	P00	A1 + A2L	G	27	1.67	2.14	2.64	3.17	3.72	4.31	4.91	1.89	-	10	38
					32	1.46	1.88	2.33	2.81	3.32	3.87	4.44				
					38	1.21	1.57	1.97	2.39	2.85	3.35	3.87				
					43	1.01	1.32	1.67	2.05	2.46	2.91	3.39				

This table continues on the next page

MBP

(1) G - Compressor 230V/1~/50Hz, fan 230V/1~/50Hz

E - Compressor 400V/3~/50Hz, fan 230V/1~/50Hz

(2) Nominal conditions (EN13215), Evaporating temperatures at Mid point, Superheat 10K, Subcooling 0K

(3) Rated conditions (EN13215), Evaporating temperature (Mid point) -10°C, Ambient air temperature +32°C, Return Gas Temperature 20°C, Subcooling 0K



For regular updates and detailed capacities, please refer to **Coolselector®2** software



Model	Code	Version	Refrigerant class	Electrical code (1)	Tamb [°C]	Cooling capacity Q [kW] (2)							EcoDesign (3)		Min Fuse rating gL/gG (A)	Sound pressure level 10 m dB(A)
						Evaporating Temperature (Mid point) [°C]							COP	SEPR		
						-20°C	-15°C	-10°C	-5°C	0°C	5°C	10°C				
OP-MPTM026DS	114X4239	P00	A1 + A2L	E	27	1.69	2.16	2.67	3.20	3.76	4.35	4.96	1.85	-	10	38
					32	1.48	1.90	2.36	2.84	3.36	3.91	4.48				
					38	1.23	1.59	1.99	2.42	2.88	3.38	3.91				
					43	1.02	1.34	1.68	2.07	2.48	2.94	3.43				
OP-MPBM034AJ	114X4226	P00	A1	G	27	1.83	2.34	2.92	3.57	4.29	5.11	-	1.70	-	20	37
					32	1.65	2.13	2.66	3.27	3.93	4.68	-				
					38	1.43	1.86	2.34	2.89	3.49	4.16	-				
					43	1.24	1.64	2.07	2.57	-	-	-				
OP-MPTM034DS	114X4241	P00	A1 + A2L	G	27	1.66	2.26	2.95	3.73	4.62	5.59	6.65	1.86	-	10	38
					32	1.45	2.01	2.66	3.39	4.22	5.14	6.15				
					38	1.20	1.71	2.30	2.97	3.74	4.59	5.54				
					43	0.98	1.45	2.00	2.62	3.34	4.13	5.02				
OP-MPTM034DS	114X4242	P00	A1 + A2L	E	27	1.68	2.28	2.98	3.77	4.66	5.64	6.71	1.82	-	10	38
					32	1.47	2.03	2.68	3.42	4.27	5.19	6.21				
					38	1.21	1.73	2.32	3.00	3.78	4.64	5.59				
					43	0.99	1.47	2.02	2.65	3.37	4.17	5.07				
OP-MPXM034ML	114X4264	P00	A1	E	27	2.55	3.13	3.78	4.53	5.36	6.29	-	2.20	-	16	38
					32	2.36	2.89	3.50	4.20	4.96	5.83	-				
					38	2.12	2.61	3.15	3.78	4.48	5.27	-				
					43	1.92	2.36	2.85	3.43	-	-	-				
OP-MPXM034ML	114X4261	P00	A1	G	27	2.57	3.15	3.81	4.56	5.39	6.32	-	2.21	-	25	38
					32	2.37	2.91	3.52	4.23	5.00	5.87	-				
					38	2.13	2.62	3.17	3.81	4.51	5.32	-				
					43	1.93	2.37	2.87	3.45	-	-	-				
OP-MPXM046ML	114X4284	P00	A1	E	27	3.43	4.22	5.10	6.10	7.20	8.43	-	-	3.62	20	38
					32	3.15	3.88	4.70	5.64	6.66	7.81	-				
					38	2.81	3.47	4.21	5.06	5.99	7.04	-				
					43	2.52	3.12	3.79	4.56	-	-	-				
OP-MPXM046ML	114X4281	P00	A1	G	27	3.45	4.24	5.11	6.10	7.18	8.39	-	2.14	3.37	40	38
					32	3.19	3.92	4.72	5.64	6.64	7.77	-				
					38	2.87	3.52	4.24	5.07	5.97	7.00	-				
					43	2.59	3.17	3.82	4.57	-	-	-				
OP-MPXM057ML	114X4290	P00	A1	G	27	4.28	5.26	6.33	7.55	8.87	10.35	-	2.18	3.44	40	38
					32	3.95	4.85	5.85	6.97	8.20	9.57	-				
					38	3.54	4.35	5.23	6.24	7.34	8.58	-				
					43	3.19	3.91	4.70	5.61	-	-	-				
OP-MPXM057ML	114X4293	P00	A1	E	27	4.24	5.20	6.27	7.48	8.79	10.26	-	2.22	3.67	20	38
					32	3.89	4.78	5.76	6.88	8.10	9.47	-				
					38	3.45	4.24	5.12	6.13	7.23	8.47	-				
					43	3.07	3.77	4.56	5.47	-	-	-				
OP-MPXM068ML	114X4308	P00	A1	G	27	5.19	6.35	7.65	9.15	10.79	12.63	-	2.20	3.48	50	39
					32	4.80	5.87	7.07	8.46	9.98	11.70	-				
					38	4.31	5.27	6.35	7.60	8.98	10.55	-				
					43	3.90	4.76	5.73	6.86	-	-	-				
OP-MPXM068ML	114X4311	P00	A1	E	27	5.17	6.34	7.66	9.18	10.85	12.72	-	2.30	3.68	20	39
					32	4.77	5.86	7.08	8.49	10.04	11.79	-				
					38	4.29	5.26	6.36	7.63	9.04	10.64	-				
					43	3.87	4.75	5.74	6.89	-	-	-				

This table continues on the next page

MBP

(1) G - Compressor 230V/1~/50Hz, fan 230V/1~/50Hz

E - Compressor 400V/3~/50Hz, fan 230V/1~/50Hz

(2) Nominal conditions (EN13215), Evaporating temperatures at Mid point, Superheat 10K, Subcooling 0K

(3) Rated conditions (EN13215), Evaporating temperature (Mid point) -10°C, Ambient air temperature +32°C, Return Gas Temperature 20°C, Subcooling 0K



For regular updates and detailed capacities, please refer to **Coolselector®2** software



Model	Code	Version	Refrigerant class	Electrical code (1)	Tamb [°C]	Cooling capacity Q [kW] (2)							EcoDesign (3)		Min Fuse rating gL/gG (A)	Sound pressure level 10 m dB(A)
						Evaporating Temperature (Mid point) [°C]							COP	SEPR		
						-20°C	-15°C	-10°C	-5°C	0°C	5°C	10°C				
OP-MPXM080ML	114X4321	P00	A1	G	27	6.01	7.39	8.92	10.67	12.58	14.71	-	-	3.41	50	39
					32	5.53	6.80	8.22	9.85	11.63	13.63	-				
					38	4.92	6.07	7.35	8.82	10.45	12.27	-				
					43	4.41	5.44	6.60	7.93	-	-	-				
OP-MPXM080ML	114X4324	P00	A1	E	27	6.02	7.38	8.89	10.62	12.49	14.59	-	-	3.73	20	39
					32	5.52	6.78	8.18	9.79	11.55	13.52	-				
					38	4.89	6.03	7.30	8.76	10.37	12.17	-				
					43	4.35	5.38	6.54	7.87	-	-	-				
OP-MPXM108ML	114X4344	P00	A1	E	27	8.05	9.87	11.88	14.16	16.63	19.37	-	-	3.71	25	39
					32	7.35	9.03	10.89	13.00	15.30	17.85	-				
					38	6.49	7.98	9.63	11.54	13.62	15.94	-				
					43	5.74	7.07	8.55	10.27	-	-	-				
OP-MPXM125ML	114X4414	P00	A1	E	27	9.68	11.92	14.40	17.23	20.30	23.74	-	-	3.76	32	46
					32	8.87	10.95	13.25	15.89	18.75	21.97	-				
					38	7.86	9.73	11.81	14.20	16.81	19.76	-				
					43	6.98	8.67	10.55	12.73	-	-	-				
OP-MPXM162ML	114X4434	P00	A1	E	27	11.77	14.55	17.62	21.08	24.79	28.88	-	-	3.39	40	46
					32	10.71	13.29	16.17	19.42	22.92	26.78	-				
					38	9.37	11.70	14.31	17.29	20.53	24.10	-				
					43	8.21	10.33	12.66	15.40	-	-	-				

MBP

(1) **G** - Compressor 230V/1~/50Hz, fan 230V/1~/50Hz
E - Compressor 400V/3~/50Hz, fan 230V/1~/50Hz

(2) Nominal conditions (EN13215), Evaporating temperatures at Mid point, Superheat 10K, Subcooling 0K

(3) Rated conditions (EN13215), Evaporating temperature (Mid point) -10°C, Ambient air temperature +32°C, Return Gas Temperature 20°C, Subcooling 0K



For regular updates and detailed capacities, please refer to **Coolselector®2** software



Model	Code	Version	Refrigerant class	Electrical code (1)	Tamb [°C]	Cooling capacity Q [kW] (2)							EcoDesign (3)		Min Fuse rating gL/gG (A)	Sound pressure level 10 m dB(A)
						Evaporating Temperature (Mid point) [°C]							COP	SEPR		
						-20°C	-15°C	-10°C	-5°C	0°C	5°C	10°C				
OP-MPYM008MY	114X4119	P00	A1	G	27	-	0.76	0.94	1.14	1.354	1.583	-	2.12	-	10	29
					32	-	0.68	0.85	1.03	1.238	1.455	-				
					38	-	0.60	0.75	0.91	1.1	1.301	-				
					43	-	0.52	0.66	0.81	0.985	1.173	-				
OP-MPTM008DY	114X4107	P00	A1 + A2L	G	27	0.59	0.75	0.92	1.12	1.32	1.54	1.77	2.06	-	10	31
					32	0.53	0.68	0.84	1.01	1.21	1.41	1.64				
					38	0.46	0.59	0.73	0.89	1.07	1.26	1.47				
					43	0.40	0.52	0.65	0.79	0.96	1.14	1.33				
OP-MPYM009MY	114X4120	P00	A1	G	27	-	0.82	1.01	1.22	1.45	1.69	-	2.00	-	10	30
					32	-	0.74	0.92	1.11	1.32	1.55	-				
					38	-	0.65	0.80	0.98	1.17	1.39	-				
					43	-	0.57	0.71	0.87	1.05	1.25	-				
OP-MPTM009DY	114X4111	P00	A1 + A2L	G	27	0.66	0.83	1.01	1.22	1.43	1.67	1.91	2.01	-	10	31
					32	0.59	0.75	0.92	1.11	1.31	1.53	1.76				
					38	0.52	0.66	0.81	0.98	1.16	1.37	1.58				
					43	0.46	0.58	0.72	0.87	1.04	1.23	1.44				
OP-MPYM012MP	114X4121	P00	A1	G	27	-	1.12	1.37	1.64	1.92	2.22	-	2.02	-	10	32
					32	-	1.01	1.24	1.49	1.76	2.04	-				
					38	-	0.89	1.09	1.32	1.56	1.82	-				
					43	-	0.78	0.97	1.17	1.40	1.64	-				
OP-MPTM012DP	114X4113	P00	A1 + A2L	G	27	0.89	1.11	1.35	1.60	1.87	2.15	2.44	1.83	-	10	31
					32	0.80	1.00	1.22	1.46	1.71	1.97	2.25				
					38	0.70	0.88	1.07	1.29	1.51	1.76	2.02				
					43	0.61	0.77	0.95	1.14	1.35	1.58	1.83				
OP-MPYM014MP	114X4122	P00	A1	G	27	-	1.14	1.40	1.69	2.01	2.34	-	1.69	-	16	29
					32	-	1.04	1.28	1.55	1.85	2.17	-				
					38	-	0.92	1.143	1.39	1.66	1.96	-				
					43	-	0.82	1.02	1.25	1.50	1.78	-				
OP-MPTM014DP	114X4114	P00	A1 + A2L	G	27	0.91	1.15	1.40	1.68	1.97	2.29	2.63	1.73	-	10	31
					32	0.84	1.05	1.28	1.54	1.82	2.12	2.44				
					38	0.74	0.93	1.14	1.37	1.63	1.91	2.22				
					43	0.66	0.83	1.02	1.24	1.48	1.74	2.03				
OP-MPTM018DX	114X4115	P00	A1 + A2L	G	27	0.96	1.21	1.47	1.76	2.07	2.40	2.75	1.64	-	10	38
					32	0.88	1.10	1.34	1.61	1.90	2.22	2.55				
					38	0.78	0.98	1.19	1.44	1.71	2.00	2.32				
					43	0.70	0.87	1.07	1.29	1.54	1.82	2.12				
OP-MPOM018AJ	114X4230	P00	A1	G	27	1.19	1.49	1.83	2.22	2.67	3.16	-	1.94	-	16	33
					32	1.08	1.36	1.67	2.03	2.44	2.90	-				
					38	-	-	1.49	1.81	2.17	2.57	-				
					43	-	-	1.33	1.62	1.94	2.30	-				
OP-MPTM022DS	114X4237	P00	A1 + A2L	G	27	1.44	1.81	2.23	2.71	3.24	3.83	4.47	1.87	-	10	38
					32	1.29	1.63	2.02	2.46	2.95	3.49	4.08				
					38	1.10	1.41	1.76	2.16	2.60	3.09	3.62				
					43	0.95	1.24	1.55	1.91	2.31	2.75	3.23				
OP-MPOM024AJ	114X4200	P00	A1	G	27	-	1.84	2.30	2.84	3.44	-	-	2.08	-	20	33
					32	-	1.65	2.08	2.57	3.13	-	-				
					38	-	1.43	1.82	2.26	2.75	-	-				
					43	-	1.24	1.60	2.00	2.45	-	-				

This table continues on the next page

MBP

(1) G - Compressor 230V/1~/50Hz, fan 230V/1~/50Hz

E - Compressor 400V/3~/50Hz, fan 230V/1~/50Hz

(2) Nominal conditions (EN13215), Evaporating temperatures at Mid point, Superheat 10K, Subcooling 0K

(3) Rated conditions (EN13215), Evaporating temperature (Mid point) -10°C, Ambient air temperature +32°C, Return Gas Temperature 20°C, Subcooling 0K



For regular updates and detailed capacities, please refer to **Coolselector®2** software



Model	Code	Version	Refrigerant class	Electrical code (1)	Tamb [°C]	Cooling capacity Q [kW] (2)								EcoDesign (3)		Min Fuse rating gL/gG (A)	Sound pressure level 10 m dB(A)
						Evaporating Temperature (Mid point) [°C]								COP	SEPR		
						-20°C	-15°C	-10°C	-5°C	0°C	5°C	10°C					
OP-MPOM026AJ	114X4212	P00	A1	G	27	1.64	2.05	2.53	3.08	3.70	4.38	-	2.05	-	20	36	
					32	1.47	1.86	2.30	2.80	3.37	4.00	-					
					38	1.27	1.62	2.02	2.47	2.98	3.55	-					
					43	-	1.42	1.79	2.20	2.66	3.17	-					
OP-MPOM026AJ	114X4213	P00	A1	E	27	1.61	2.04	2.543	3.102	3.72	4.41	-	1.96	-	10	36	
					32	1.43	1.84	2.304	2.824	3.40	4.04	-					
					38	1.21	1.59	2.014	2.485	3.00	3.58	-					
					43	-	1.38	1.77	2.2	2.67	3.20	-					
OP-MPTM026DS	114X4238	P00	A1 + A2L	G	27	1.74	2.19	2.66	3.17	3.71	4.29	4.89	1.75	-	10	38	
					32	1.55	1.95	2.39	2.86	3.37	3.91	4.48					
					38	1.31	1.67	2.07	2.49	2.96	3.46	4.00					
					43	1.12	1.44	1.80	2.19	2.62	3.09	3.59					
OP-MPTM026DS	114X4239	P00	A1 + A2L	E	27	1.76	2.21	2.69	3.20	3.75	4.33	4.94	1.715	-	10	38	
					32	1.56	1.97	2.41	2.89	3.40	3.95	4.53					
					38	1.33	1.69	2.09	2.52	2.99	3.50	4.04					
					43	1.13	1.45	1.81	2.21	2.64	3.12	3.63					
OP-MPTM034DS	114X4241	P00	A1 + A2L	G	27	1.68	2.31	3.04	3.87	4.81	5.85	6.99	1.71	-	10	38	
					32	1.47	2.05	2.74	3.51	4.40	5.38	6.47					
					38	1.21	1.74	2.36	3.08	3.90	4.81	5.83					
					43	0.98	1.47	2.05	2.71	3.47	4.33	5.29					
OP-MPTM034DS	114X4242	P00	A1 + A2L	E	27	1.70	2.33	3.07	3.91	4.85	5.90	7.06	1.67	-	10	38	
					32	1.48	2.08	2.76	3.55	4.44	5.44	6.53					
					38	1.22	1.76	2.39	3.11	3.94	4.86	5.89					
					43	0.99	1.49	2.07	2.74	3.51	4.37	5.35					
OP-MPOM034AJ	114X4227	P00	A1	E	27	2.03	2.54	3.12	3.77	4.49	5.27	-	1.89	-	10	36	
					32	1.82	2.30	2.84	3.44	4.10	4.83	-					
					38	1.57	2.01	2.50	3.04	3.64	4.29	-					
					43	-	1.77	2.21	2.71	3.25	3.84	-					
OP-MPOM034AJ	114X4226	P00	A1	G	27	2.03	2.56	3.17	3.84	4.59	5.41	-	1.83	-	20	36	
					32	1.82	2.32	2.88	3.50	4.19	4.94	-					
					38	1.56	2.01	2.52	3.08	3.70	4.38	-					
					43	-	1.76	2.22	2.73	3.29	3.90	-					
OP-MPXM034ML	114X4264	P00	A1	E	27	2.52	3.10	3.76	4.49	5.30	6.19	-	2.13	-	16	37	
					32	2.27	2.81	3.42	4.10	4.85	5.67	-					
					38	1.94	2.44	2.99	3.61	4.28	5.03	-					
					43	1.65	2.11	2.62	3.18	3.79	4.47	-					
OP-MPXM034ML	114X4261	P00	A1	G	27	2.61	3.17	3.81	4.52	5.32	6.20	-	2.09	-	25	37	
					32	2.39	2.91	3.50	4.17	4.91	5.73	-					
					38	2.11	2.58	3.12	3.73	4.41	5.17	-					
					43	1.88	2.31	2.80	3.35	3.98	4.69	-					
OP-MPXM046ML	114X4284	P00	A1	E	27	3.431	4.15	4.96	5.86	6.85	7.95	-	2.04	-	20	37	
					32	3.133	3.80	4.54	5.37	6.29	7.31	-					
					38	2.752	3.35	4.01	4.76	5.59	6.52	-					
					43	2.413	2.95	3.55	4.22	4.98	5.83	-					
OP-MPXM046ML	114X4281	P00	A1	G	27	3.478	4.21	5.03	5.95	6.96	8.06	-	2.57	-	40	37	
					32	3.172	3.85	4.61	5.45	6.39	7.41	-					
					38	2.785	3.39	4.07	4.83	5.67	6.60	-					
					43	2.443	2.98	3.60	4.28	5.05	5.90	-					

This table continues on the next page

MBP

(1) G - Compressor 230V/1~/50Hz, fan 230V/1~/50Hz

E - Compressor 400V/3~/50Hz, fan 230V/1~/50Hz

(2) Nominal conditions (EN13215), Evaporating temperatures at Mid point, Superheat 10K, Subcooling 0K

(3) Rated conditions (EN13215), Evaporating temperature (Mid point) -10°C, Ambient air temperature +32°C, Return Gas Temperature 20°C, Subcooling 0K


 For regular updates and detailed capacities, please refer to **Coolselector®2** software


Model	Code	Version	Refrigerant class	Electrical code (1)	Tamb [°C]	Cooling capacity Q [kW] (2)							EcoDesign (3)		Min Fuse rating gL/gG (A)	Sound pressure level 10 m dB(A)
						Evaporating Temperature (Mid point) [°C]							COP	SEPR		
						-20°C	-15°C	-10°C	-5°C	0°C	5°C	10°C				
OP-MPXM057ML	114X4293	P00	A1	E	27	4.02	4.86	5.81	6.86	8.02	9.26	-	-	3.27	20	37
					32	3.66	4.43	5.30	6.27	7.33	8.48	-				
					38	3.23	3.91	4.67	5.53	6.47	7.50	-				
					43	2.85	3.45	4.13	4.88	5.73	6.68	-				
OP-MPXM057ML	114X4290	P00	A1	G	27	4.02	4.87	5.82	6.87	8.03	9.27	-	-	3.17	40	37
					32	3.67	4.44	5.31	6.28	7.34	8.49	-				
					38	3.23	3.91	4.68	5.53	6.48	7.51	-				
					43	2.85	3.45	4.13	4.89	5.72	6.64	-				
OP-MPXM068ML	114X4308	P00	A1	G	27	5.33	6.51	7.86	9.39	11.09	12.97	-	-	3.81	50	38
					32	4.88	5.99	7.25	8.68	10.29	12.06	-				
					38	4.33	5.34	6.48	7.79	9.272	10.92	-				
					43	3.86	4.77	5.82	7.02	8.383	9.91	-				
OP-MPXM068ML	114X4311	P00	A1	E	27	5.32	6.50	7.85	9.38	11.09	12.96	-	-	3.89	20	38
					32	4.88	5.98	7.24	8.67	10.28	12.05	-				
					38	4.33	5.33	6.48	7.79	9.26	10.91	-				
					43	3.85	4.76	5.81	7.01	8.37	9.91	-				
OP-MPXM080ML	114X4321	P00	A1	G	27	6.11	7.52	9.10	10.84	12.71	14.71	-	-	3.34	50	38
					32	5.55	6.86	8.33	9.95	11.72	13.61	-				
					38	4.87	6.04	7.37	8.85	10.48	12.24	-				
					43	4.30	5.35	6.55	7.91	9.41	11.04	-				
OP-MPXM080ML	114X4324	P00	A1	E	27	6.28	7.62	9.15	10.86	12.77	14.85	-	-	3.89	20	38
					32	5.75	7.00	8.41	10.00	11.78	13.73	-				
					38	5.06	6.19	7.46	8.90	10.52	12.31	-				
					43	4.47	5.47	6.63	7.93	9.40	11.05	-				
OP-MPXM108ML	114X4344	P00	A1	E	27	7.91	9.55	11.38	13.39	15.61	18.04	-	-	3.32	25	44
					32	7.20	8.71	10.39	12.25	14.29	16.55	-				
					38	6.29	7.65	9.15	10.81	12.66	14.71	-				
					43	5.50	6.72	8.06	9.56	11.24	13.12	-				
OP-MPXM125ML	114X4414	P00	A1	E	27	9.49	11.67	14.10	16.81	19.79	23.02	-	-	3.65	32	46
					32	8.59	10.64	12.92	15.43	18.23	21.27	-				
					38	7.45	9.33	11.42	13.72	16.27	19.07	-				
					43	6.47	8.19	10.11	12.23	14.57	17.14	-				
OP-MPXM162ML	114X4434	P00	A1	E	27	12.61	15.12	17.84	20.81	24.06	27.61	-	-	3.24	40	46
					32	11.49	13.71	16.13	18.79	21.71	24.93	-				
					38	10.10	11.96	13.99	16.25	18.77	21.58	-				
					43	8.93	10.46	12.15	14.06	16.22	18.68	-				

MBP

(1) G - Compressor 230V/1~/50Hz, fan 230V/1~/50Hz

E - Compressor 400V/3~/50Hz, fan 230V/1~/50Hz

(2) Nominal conditions (EN13215), Evaporating temperatures at Mid point, Superheat 10K, Subcooling 0K

(3) Rated conditions (EN13215), Evaporating temperature (Mid point) -10°C, Ambient air temperature +32°C, Return Gas Temperature 20°C, Subcooling 0K



For regular updates and detailed capacities, please refer to **Coolselector®2** software



Model	Code	Version	Refrigerant class	Electrical code (1)	Tamb [°C]	Cooling capacity Q [kW] (2)							EcoDesign (3)		Min Fuse rating gL/gG (A)	Sound pressure level @ 10m dB(A)
						Evaporating Temperature (Mid point) [°C]							COP	SEPR		
						-20°C	-15°C	-10°C	-5°C	0°C	5°C	10°C				
OP-MPTM008DY	114X4107	P00	A1 + A2L	G	27		0.79	0.97	1.17	1.38	1.60	1.83	2.20	-	10	31
					32		0.71	0.87	1.05	1.25	1.46	1.68				
					38		0.61	0.76	0.92	1.10	1.29	1.49				
					43		0.53	0.66	0.81	0.97	1.15	1.34				
OP-MPTM009DY	114X4111	P00	A1 + A2L	G	27		0.94	1.15	1.38	1.62	1.87	2.13	2.11	-	10	31
					32		0.84	1.03	1.24	1.46	1.70	1.95				
					38		0.72	0.89	1.08	1.29	1.50	1.74				
					43		0.63	0.78	0.95	1.14	1.34	1.56				
OP-MPTM012DP	114X4113	P00	A1 + A2L	G	27		1.16	1.40	1.66	1.92	2.20	2.49	1.90	-	10	31
					32		1.04	1.26	1.50	1.75	2.01	2.28				
					38		0.91	1.10	1.31	1.54	1.78	2.03				
					43		0.79	0.97	1.16	1.36	1.59	1.82				
OP-MPTM014DP	114X4114	P00	A1 + A2L	G	27		1.22	1.47	1.74	2.02	2.32	2.64	1.82	-	10	31
					32		1.10	1.33	1.58	1.85	2.13	2.43				
					38		0.96	1.17	1.39	1.64	1.90	2.19				
					43		0.84	1.03	1.24	1.47	1.71	1.98				
OP-MPTM018DX	114X4115	P00	A1 + A2L	G	27		1.37	1.65	1.95	2.26	2.59	2.93	1.71	-	10	38
					32		1.23	1.49	1.77	2.06	2.37	2.70				
					38		1.07	1.30	1.55	1.82	2.10	2.41				
					43		0.93	1.14	1.37	1.62	1.89	2.17				
OP-MPTM022DS	114X4237	P00	A1 + A2L	G	27		1.85	2.25	2.70	3.19	3.72	4.30	2.02	-	10	38
					32		1.67	2.04	2.45	2.89	3.38	3.91				
					38		1.45	1.78	2.14	2.54	2.98	3.45				
					43		1.27	1.57	1.89	2.25	2.64	3.07				
OP-MPTM026DS	114X4238	P00	A1 + A2L	G	27		2.25	2.71	3.23	3.78	4.39	5.03	1.91	-	10	38
					32		2.02	2.45	2.92	3.43	3.98	4.57				
					38		1.76	2.14	2.56	3.01	3.50	4.02				
					43		1.54	1.89	2.26	2.66	3.10	3.57				
OP-MPTM026DS	114X4239	P00	A1 + A2L	E	27		2.27	2.74	3.26	3.82	4.43	5.08	1.87	-	10	38
					32		2.04	2.48	2.95	3.46	4.02	4.62				
					38		1.78	2.16	2.58	3.04	3.54	4.06				
					43		1.56	1.90	2.28	2.69	3.13	3.61				
OP-MPTM034DS	114X4241	P00	A1 + A2L	G	27		2.59	3.22	3.86	4.52	5.20	5.89	1.78	-	10	38
					32		2.33	2.90	3.49	4.09	4.73	5.38				
					38		2.02	2.52	3.04	3.59	4.17	4.76				
					43		1.77	2.21	2.68	3.17	3.70	4.25				
OP-MPTM034DS	114X4242	P00	A1 + A2L	E	27		2.61	3.25	3.90	4.56	5.25	5.95	1.74	-	10	38
					32		2.35	2.93	3.52	4.13	4.78	5.43				
					38		2.04	2.54	3.07	3.62	4.21	4.81				
					43		1.78	2.23	2.71	3.20	3.74	4.29				

MBP

(1) **G** - Compressor 230V/1Ph/50Hz, fan 230V/1Ph/50Hz
E - Compressor 400V/3Ph/50Hz, fan 230V/1Ph/50Hz

(2) Nominal conditions (EN13215), Evaporating temperatures at Mid point, Superheat 10K, Subcooling 0K

(3) Rated conditions (EN13215), Evaporating temperature (Mid Point) -10°C, Ambient air temperature +32°C, Return Gas Temperature 20°C, Subcooling 0K



For regular updates and detailed capacities, please refer to **Coolselector®2** software



Model	Code	Version	Refrigerant class	Electrical code (1)	Tamb [°C]	Cooling capacity Q [kW] (2)							EcoDesign (3)		Min Fuse rating gL/gG (A)	Sound pressure level @ 10m dB(A)
						Evaporating Temperature (Mid point) [°C]							COP	SEPR		
						-20°C	-15°C	-10°C	-5°C	0°C	5°C	10°C				
OP-MPTM008DY	114X4107	P00	A1 + A2L	G	27	0.71	0.88	1.06	1.26	1.47	1.69	2.10	-	10	31	
					32	0.63	0.79	0.96	1.14	1.34	1.55					
					38	0.55	0.68	0.84	1.01	1.19	1.39					
					43	0.47	0.60	0.74	0.89	1.06	1.25					
OP-MPTM009DY	114X4111	P00	A1 + A2L	G	27	0.78	0.96	1.15	1.36	1.58	1.82	2.02	-	10	31	
					32	0.70	0.86	1.04	1.24	1.44	1.67					
					38	0.61	0.75	0.91	1.09	1.28	1.48					
					43	0.53	0.66	0.81	0.97	1.14	1.33					
OP-MPTM012DP	114X4113	P00	A1 + A2L	G	27	1.05	1.28	1.52	1.77	2.03	2.31	1.81	-	10	31	
					32	0.95	1.15	1.37	1.61	1.86	2.12					
					38	0.82	1.01	1.20	1.42	1.64	1.88					
					43	0.72	0.88	1.06	1.26	1.47	1.69					
OP-MPTM014DP	114X4114	P00	A1 + A2L	G	27	1.09	1.32	1.57	1.84	2.12	2.42	1.7	-	10	31	
					32	0.98	1.20	1.43	1.68	1.95	2.23					
					38	0.85	1.05	1.26	1.49	1.74	2.01					
					43	0.75	0.93	1.12	1.34	1.57	1.82					
OP-MPTM018DX	114X4115	P00	A1 + A2L	G	27	1.20	1.47	1.76	2.07	2.40	2.75	1.65	-	10	38	
					32	1.07	1.32	1.59	1.87	2.18	2.50					
					38	0.91	1.13	1.37	1.63	1.91	2.21					
					43	0.79	0.98	1.20	1.43	1.69	1.97					
OP-MPTM022DS	114X4237	P00	A1 + A2L	G	27	1.64	2.00	2.42	2.88	3.38	3.92	1.93	-	10	38	
					32	1.48	1.81	2.19	2.61	3.08	3.57					
					38	1.29	1.59	1.93	2.30	2.71	3.16					
					43	1.13	1.40	1.71	2.04	2.41	2.82					
OP-MPTM026DS	114X4238	P00	A1 + A2L	G	27	2.00	2.43	2.91	3.44	4.01	4.63	1.82	-	10	38	
					32	1.80	2.20	2.64	3.12	3.64	4.21					
					38	1.57	1.92	2.32	2.74	3.21	3.72					
					43	1.38	1.70	2.05	2.43	2.85	3.30					
OP-MPTM026DS	114X4239	P00	A1 + A2L	E	27	2.02	2.46	2.94	3.47	4.05	4.67	1.78	-	10	38	
					32	1.82	2.22	2.67	3.15	3.68	4.25					
					38	1.59	1.94	2.34	2.77	3.24	3.75					
					43	1.39	1.71	2.07	2.46	2.87	3.34					
OP-MPTM034DS	114X4241	P00	A1 + A2L	G	27	2.15	2.71	3.27	3.85	4.46	5.06	1.67	-	10	38	
					32	1.94	2.44	2.96	3.49	4.05	4.62					
					38	1.69	2.12	2.58	3.06	3.57	4.09					
					43	1.48	1.86	2.27	2.70	3.17	3.65					
OP-MPTM034DS	114X4242	P00	A1 + A2L	E	27	2.18	2.73	3.31	3.89	4.50	5.12	1.63	-	10	38	
					32	1.96	2.46	2.99	3.52	4.09	4.67					
					38	1.70	2.14	2.61	3.09	3.60	4.13					
					43	1.49	1.88	2.29	2.73	3.20	3.68					

MBP

(1) **G** - Compressor 230V/1Ph/50Hz, fan 230V/1Ph/50Hz
E - Compressor 400V/3Ph/50Hz, fan 230V/1Ph/50Hz

(2) Nominal conditions (EN13215), Evaporating temperatures at Mid point, Superheat 10K, Subcooling 0K

(3) Rated conditions (EN13215), Evaporating temperature (Mid Point) -10°C, Ambient air temperature +32°C, Return Gas Temperature 20°C, Subcooling 0K



For regular updates and detailed capacities, please refer to **Coolselector®2** software



Application	Code number	Model number	Compressor Model	Electrical Code (1)	Refrigerant (2)	Condenser Coil			Fan		Receiver	Dimensions				Connection		Weight	
						Type	Airflow	Internal Volume	Number	Blade ø	Volume	Housing	Height	Width	Length	Suction valve	Liquid valve	Gross	Net
LBP	114X3118	OP-LPQM017MPP00G	MPT16LA	G	Q	A7	2200	0.39	1	365	1.3	H1	650	941	406	3/8"	3/8"	65	49
LBP	114X3216	OP-LPQM026AJP00G	CAJ2446Z	G	Q	D7	3300	0.58	1	450	3.4	H2	813	1090	480	1/2"	3/8"	97	80
LBP	114X3225	OP-LPQM048NTP00G	NTZ048-5	G	Q	D7	3300	0.58	1	450	3.4	H2	813	1090	480	5/8"	3/8"	102	80
LBP	114X3233	OP-LPQM048NTP00E	NTZ048-4	E	Q	D7	3300	0.58	1	450	3.4	H2	813	1090	480	5/8"	3/8"	102	80
LBP	114X3253	OP-LPQM074FHP00E	TFH2511Z	E	Q	D7	3300	0.58	1	450	3.4	H2	813	1090	480	5/8"	3/8"	106	89
LBP	114X3252	OP-LPQM074FHP00G	FH2511Z	G	Q	D7	3300	0.58	1	450	3.4	H2	813	1090	480	5/8"	3/8"	111	94
LBP	114X3241	OP-LPQM068NTP00G	NTZ068-5	G	Q	D7	3300	0.58	1	450	3.4	H2	813	1090	480	5/8"	3/8"	102	80
LBP	114X3249	OP-LPQM068NTP00E	NTZ068-4	E	Q	D7	3300	0.58	1	450	3.4	H2	813	1090	480	5/8"	3/8"	102	80
LBP	114X3357	OP-LPQM096NTP00E	NTZ096-4	E	M	G7	5200	1.62	1	500	6.2	H3	965	531	1441	7/8"	1/2"	129	107
LBP	114X3371	OP-LPOM067LLP02E	LLZ013T4A	E	O	G7	5200	1.62	1	500	6.2	H3	965	531	1441	3/4"	1/2"	161	135
LBP	114X3372	OP-LPOM084LLP02E	LLZ015T4A	E	O	G7	5200	1.62	1	500	6.2	H3	965	531	1441	3/4"	1/2"	161	135
LBP	114X3373	OP-LPOM098LLP02E	LLZ018T4A	E	O	G7	5200	1.62	1	500	6.2	H3	965	531	1441	3/4"	1/2"	162	136
LBP	114X3485	OP-LPOM120LLP02E	LLZ024T4A	E	O	J7	9500	1.97	2	500	10	H4	966	650	1835	1 1/8"	3/4"	212	161
LBP	114X3486	OP-LPOM168LLP02E	LLZ034T4A	E	O	J7	9500	1.97	2	500	10	H4	966	650	1835	1 1/8"	3/4"	217	166
MBP	114X4119	OP-MPYM008MYP00G	MLY80RAB	G	Y	A7	2200	0.39	1	365	1.3	H1	650	941	406	3/8"	1/4"	65	49
MBP	114X4120	OP-MPYM009MYP00G	MLY90RAB	G	Y	A7	2200	0.39	1	365	1.3	H1	650	941	406	3/8"	1/4"	65	49
MBP	114X4121	OP-MPYM012MPP00G	MPT12RA	G	Y	A7	2200	0.39	1	365	1.3	H1	650	941	406	3/8"	3/8"	65	49
MBP	114X4122	OP-MPYM014MPP00G	MPT14RA	G	Y	A7	2200	0.39	1	365	1.3	H1	650	941	406	3/8"	3/8"	65	49
MBP	114X4230	OP-MPOM018AJP00G	CAJ9510Z	G	B	D7	3300	0.58	1	450	3.4	H2	813	1090	480	1/2"	3/8"	97	80
MBP	114X4200	OP-MPOM024AJP00G	CAJ9513Z	G	B	D7	3300	0.58	1	450	3.4	H2	813	1090	480	1/2"	3/8"	97	80
MBP	114X4212	OP-MPOM026AJP00G	CAJ4517Z	G	B	D7	3300	0.58	1	450	3.4	H2	813	1090	480	1/2"	3/8"	97	80
MBP	114X4213	OP-MPOM026AJP00E	TAJ4517Z	E	B	D7	3300	0.58	1	450	3.4	H2	813	1090	480	1/2"	3/8"	97	80
MBP	114X4220	OP-MPGM033AJP00G	CAJ4511Y	G	G	D7	3300	0.58	1	450	3.4	H2	813	1090	480	1/2"	3/8"	97	80
MBP	114X4226	OP-MPOM034AJP00G	CAJ4519Z	G	B	D7	3300	0.58	1	450	3.4	H2	813	1090	480	1/2"	3/8"	97	80
MBP	114X4227	OP-MPOM034AJP00E	TAJ4519Z	E	B	D7	3300	0.58	1	450	3.4	H2	813	1090	480	1/2"	3/8"	97	80
MBP	114X4261	OP-MPXM034MLP00G	MLZ015T5	G	X	D7	3300	0.58	1	450	3.4	H2	813	1090	480	3/4"	1/2"	109	87
MBP	114X4264	OP-MPXM034MLP00E	MLZ015T4	E	X	D7	3300	0.58	1	450	3.4	H2	813	1090	480	3/4"	1/2"	109	87
MBP	114X4281	OP-MPXM046MLP00G	MLZ021T5	G	X	D7	3300	0.58	1	450	3.4	H2	813	1090	480	3/4"	1/2"	109	87
MBP	114X4284	OP-MPXM046MLP00E	MLZ021T4	E	X	D7	3300	0.58	1	450	3.4	H2	813	1090	480	3/4"	1/2"	109	87
MBP	114X4290	OP-MPXM057MLP00G	MLZ026T5	G	X	D7	3300	0.58	1	450	3.4	H2	813	1090	480	3/4"	1/2"	109	87
MBP	114X4293	OP-MPXM057MLP00E	MLZ026T4	E	X	D7	3300	0.58	1	450	3.4	H2	813	1090	480	3/4"	1/2"	109	87
MBP	114X4308	OP-MPXM068MLP00G	MLZ030T5	G	X	G7	5200	1.62	1	500	6.2	H3	965	1441	531	7/8"	5/8"	137	101
MBP	114X4311	OP-MPXM068MLP00E	MLZ030T4	E	X	G7	5200	1.62	1	500	6.2	H3	965	1441	531	7/8"	5/8"	137	101
MBP	114X4321	OP-MPXM080MLP00G	MLZ038T5	G	X	G7	5200	1.62	1	500	6.2	H3	965	1441	531	7/8"	5/8"	137	101
MBP	114X4324	OP-MPXM080MLP00E	MLZ038T4	E	X	G7	5200	1.62	1	500	6.2	H3	965	1441	531	7/8"	5/8"	137	101
MBP	114X4344	OP-MPXM108MLP00E	MLZ048T4	E	X	G7	5200	1.62	1	500	6.2	H3	965	1441	531	7/8"	5/8"	137	101
MBP	114X4414	OP-MPXM125MLP00E	MLZ058T4	E	X	J7	9500	1.97	2	500	10	H4	966	1835	650	1 1/8"	3/4"	218	169
MBP	114X4434	OP-MPXM162MLP00E	MLZ076T4	E	X	J7	9500	1.97	2	500	10	H4	966	1835	650	1 1/8"	3/4"	218	169

(1) G - Compressor 230V/1~/50Hz, fan 230V/1~/50Hz

E - Compressor 400V/3~/50Hz, fan 230V/1~/50Hz

(2) G - R134a, R513A

X - R134a, R404A/R507, R407A, R407F, R449A, R448A, R513A, R452A

Y - R404A/R507, R449A

Q - R404A/R507, R452A

O - R404A/R507, R452A, R448A, R449A

Application	Code number	Model number	Compressor Model	Electrical Code (1)		Condenser Coil			Fan		Receiver	Dimensions				Connection		Weight	
				G	V	Type	Airflow (m ² /h)	Internal Volume (dm ³)	Number	Blade ø (mm)	Volume (L)	Housing	Height (mm)	Width (mm)	Length (mm)	Suction valve (inch)	Liquid valve (inch)	Gross (Kg)	Net (Kg)
LBP	114X3110	OP-LPVM016DPP00G	DPT16LA	G	V	A7	2200	0.39	1	365	1.3	H1	650	941	406	3/8"	3/8"	75	64
LBP	114X3201	OP-LPVM026DSP00G	DST26NA	G	V	D7	3300	0.58	1	450	3.4	H2	813	1090	480	1/2"	1/2"	78	67
LBP	114X3202	OP-LPVM034DSP00G	DST34LA	G	V	D7	3300	0.58	1	450	3.4	H2	813	1090	480	1/2"	1/2"	80	70
MBP	114X4107	OP-MPTM008DYP00G	DLY80Rab	G	T	A7	2200	0.39	1	365	1.3	H1	650	941	406	3/8"	3/8"	66	55
MBP	114X4111	OP-MPTM009DYP00G	DLY90Rab	G	T	A7	2200	0.39	1	365	1.3	H1	650	941	406	3/8"	3/8"	66	55
MBP	114X4113	OP-MPTM012DPP00G	DPT12RA	G	T	A7	2200	0.39	1	365	1.3	H1	650	941	406	3/8"	3/8"	66	55
MBP	114X4114	OP-MPTM014DPP00G	DPT14RA	G	T	A7	2200	0.39	1	365	1.3	H1	650	941	406	3/8"	3/8"	66	55
MBP	114X4115	OP-MPTM018DXP00G	DX18Tba	G	T	A7	2200	0.39	1	365	1.3	H1	650	941	406	1/2"	1/2"	66	55
MBP	114X4237	OP-MPTM022DSP00G	DS22TB	G	T	D7	3300	0.58	1	450	3.4	H2	813	1090	480	1/2"	1/2"	78	67
MBP	114X4238	OP-MPTM026DSP00G	DS26TB	G	T	D7	3300	0.58	1	450	3.4	H2	813	1090	480	1/2"	1/2"	78	67
MBP	114X4239	OP-MPTM026DSP00E	DS26T3	E	T	D7	3300	0.58	1	450	3.4	H2	813	1090	480	1/2"	1/2"	78	67
MBP	114X4243	OP-MPSM026CSP00G	CS26TB	G	G	D7	3300	0.58	1	450	3.4	H2	813	1090	480	1/2"	1/2"	78	67
MBP	114X4244	OP-MPSM030CSP00G	CS30TB	G	G	D7	3300	0.58	1	450	3.4	H2	813	1090	480	1/2"	1/2"	80	70
MBP	114X4241	OP-MPTM034DSP00G	DS34TB	G	T	D7	3300	0.58	1	450	3.4	H2	813	1090	480	1/2"	1/2"	80	70
MBP	114X4242	OP-MPTM034DSP00E	DS34T3	E	T	D7	3300	0.58	1	450	3.4	H2	813	1090	480	1/2"	1/2"	80	70

(1) **G** - Compressor 230V/1~/50Hz, fan 230V/1~/50Hz

E - Compressor 400V/3~/50Hz, fan 230V/1~/50Hz

(2) **S** - R134a, R513A & R1234yf

T - R404A/R507, R455A, R454C, R448A/R449A, R452A ;

V - R454C, R455A, R452A, R404A/R507

Designation	LPQM017MP	LPQM026AJ	LPQM048NT	LPQM048NT	LPQM068NT	LPQM068NT	LPQM074FH	LPQM074FH
Code Number	114X3118	114X3216	114X3225	114X3233	114X3241	114X3249	114X3252	114X3253
Compressor Description	MPT16LA	CAJ2446Z	NTZ048-5	NTZ048-4	NTZ068-5	NTZ068-4	FH2511Z	TFH2511Z
Oil (reference)	POE32	RL32HA/HT	175PZ-POE	175PZ-POE	175PZ-POE	175PZ-POE	RL32HA/HT	RL32HA/HT
Housing	H1	H2	H2	H2	H2	H2	H2	H2
Spare Parts								
Compressor single pack	123B2127	118U3992	120F0228	120F0226	120F0232	120F0230	118U3914	118U3915
Condenser	118U5217	118U5218	118U5218	118U5218	118U5218	118U5218	118U5218	118U5218
Discharge pressure sensor	118U4021	118U4021	118U4021	118U4021	118U4021	118U4021	118U4021	118U4021
Fan assembly	-	-	-	-	-	-	-	-
Fan blade	118U3480	118U3481	118U3481	118U3481	118U3481	118U3481	118U3481	118U3481
Fan capacitor	118U3296	118U3297	118U3297	118U3297	118U3297	118U3297	118U3297	118U3297
Fan cowl/grill	118U3483	118U3484	118U3484	118U3484	118U3484	118U3484	118U3484	118U3484
Fan motor	118U3477	118U3823	118U3823	118U3823	118U3823	118U3823	118U3823	118U3823
Filter drier	023Z5039	023Z5040	023Z5040	023Z5040	023Z5040	023Z5040	023Z5040	023Z5040
High-pressure switch	118U3718	118U3718	118U3718	118U3718	118U3718	118U3718	118U3718	118U3718
Liquid valve	009G7051	009G7051	009G7051	009G7051	009G7051	009G7051	009G7051	009G7051
Low-pressure switch	118U3720	118U3720	118U3720	118U3720	118U3720	118U3720	118U3720	118U3720
Receiver	118U4020	118U4012	118U4012	118U4012	118U4012	118U4012	118U4012	118U4012
Sight glass	014L0182	014L0172	014L0172	014L0172	014L0172	014L0172	014L0172	014L0172
Suction pressure sensor	118U4025	118U4025	118U4025	118U4025	118U4025	118U4025	118U4025	118U4025
Suction valve	009G7051	009G7051	009G7053	009G7053	009G7053	009G7053	009G7053	009G7053
Brass plug (3/8" NPT)	118U4037	118U4037	118U4037	118U4037	118U4037	118U4037	118U4037	118U4037
Electrical Spare Parts								
Crankcase heater	118U0051	118U0051	120Z0459	120Z0459	120Z0459	120Z0459	120Z0459	120Z0459
EMI Filter (Controller)	118U3974	118U3974	118U3974	118U3974	118U3974	118U3974	118U3974	118U3974
Optyma™ Plus Controller	118U3465	118U3465	118U3465	118U3465	118U3465	118U3465	118U3465	118U3465
Discharge temperature sensor	084N2007	084N2007	084N2007	084N2007	084N2007	084N2007	084N2007	084N2007
Suction and ambient temp sensor	084N0003	084N0003	084N0003	084N0003	084N0003	084N0003	084N0003	084N0003
Contact kit	118U3845	118U3845	118U3846	118U3845	118U3848	118U3845	118U3845	118U3845
Door handle + Shaft	118U3858	118U3858	118U3858	118U3858	118U3858	118U3858	118U3858	118U3858
Main switch kit	118U3853	118U3851	118U3852	118U3853	118U3854	118U3851	118U3853	118U3855
Run capacitor	123B9219		8173041	-	8173041	-		-
Starting capacitor	123B9316	118U5191*	8173001	-	8173001	-	118U5199*	-
Starting relay	123B9151		8173022	-	8173022	-		-
Electrical Characteristics								
LRA Compressor [A]	19	29	37	16	53	25	81	28
MCC Compressor [A]	4	7.9	11	4.8	17	8.4	24	7.2
Max cont.power [kW]	0.89	1.31	2.19	2.28	3.62	3.57	3.45	3.34
MCC Fan [A]	0.32	0.47	0.47	0.47	0.47	0.47	0.47	0.47
Fan Power [W]	1x25	1x68	1x68	1x68	1x68	1x68	1x68	1x68
Accessories (Not Premounted)								
Acoustic hood	-	-	120Z0575	120Z0575	120Z0575	120Z0575	-	-
Fusible Plug(1/4")	118U5170	118U5170	118U5170	118U5170	118U5170	118U5170	118U5170	118U5170
Adap-Kool Accessories								
External Display & settings	084B8575	084B8575	084B8575	084B8575	084B8575	084B8575	084B8575	084B8575
Cable for EKA Displays 6 m	084B7299	084B7299	084B7299	084B7299	084B7299	084B7299	084B7299	084B7299
Mounting kit for EKA Display	084B8584	084B8584	084B8584	084B8584	084B8584	084B8584	084B8584	084B8584
MODBUS Communication Module	084B8571	084B8571	084B8571	084B8571	084B8571	084B8571	084B8571	084B8571
Lon-Bus Communication Module	084B8579	084B8579	084B8579	084B8579	084B8579	084B8579	084B8579	084B8579
Programming Key	084B8582	084B8582	084B8582	084B8582	084B8582	084B8582	084B8582	084B8582
Sheet Metal								
Top Panel	118U5121	118U5126	118U5126	118U5126	118U5126	118U5126	118U5126	118U5126
Fan Panel	118U5122	118U5127	118U5127	118U5127	118U5127	118U5127	118U5127	118U5127
Back Panel	118U5123	118U5128	118U5128	118U5128	118U5128	118U5128	118U5128	118U5128
Front Panel	118U5124	118U5129	118U5129	118U5129	118U5129	118U5129	118U5129	118U5129
Access Panel	118U5125	118U5130	118U5130	118U5130	118U5130	118U5130	118U5130	118U5130
Left side Panel	118U5163	118U5164	118U5164	118U5164	118U5164	118U5164	118U5164	118U5164
Fan Panel (LH)	-	-	-	-	-	-	-	-
Fan Panel (RH)	-	-	-	-	-	-	-	-

MCA - Minimum Circuit Ampacity
MCC - Max Continuous Current
LRA - Locked Rotor Amps
* - Spare part, Starting Kit

Designation	LPQM096NT	LPQM136NT	LPQM215LL	LPQM271LL	LPOM067LL	LPOM084LL	LPOM098LL	LPOM120LL	LPOM168LL
Code Number	114X3357	114X3365	114X3476	114X3482	114X3371	114X3372	114X3373	114X3485	114X3486
Compressor Description	NTZ096-4	NTZ136-4	LLZ024T4	LLZ034T4	LLZ013T4A	LLZ015T4A	LLZ018T4A	LLZ024T4A	LLZ034T4A
Oil (reference)	175PZ-POE	175PZ-POE	215PZ-POE46	215PZ-POE46	120Z0648	120Z0648	120Z0648	120Z0648	120Z0648
Housing	H3	H3	H4	H4	H3	H3	H3	H4	H4
Spare Parts									
Compressor single pack	120F0234	120F0236	121L9541	121L9543	121L9535	121L9537	121L9539	121L9541	121L9543
Condenser	118U5219	118U5219	118U5220	118U5220	118U5219	118U5219	118U5219	118U5220	118U5220
Discharge pressure sensor	118U4021	118U4021	118U4021	118U4021	118U4021	118U4021	118U4021	118U4021	118U4021
Fan assembly	118U3829	118U3829	118U3829	118U3829	118U3829	118U3829	118U3829	118U3829	118U3829
Fan blade	-	-	-	-	-	-	-	-	-
Fan capacitor	-	-	-	-	-	-	-	-	-
Fan cowl/grill	118U3485	118U3485	118U3485	118U3485	118U3485	118U3485	118U3485	118U3485	118U3485
Fan motor	-	-	-	-	-	-	-	-	-
Filter drier	023Z5044	023Z5044	023Z5046	023Z5046	023Z5044	023Z5044	023Z5044	023Z5046	023Z5046
High-pressure switch	118U3718	118U3718	118U3718	118U3718	118U3718	118U3718	118U3718	118U3718	118U3718
Liquid valve	009G7052	009G7052	009G7054	009G7054	009G7052	009G7052	009G7052	009G7054	009G7054
Low-pressure switch	118U3720	118U3720	118U3720	118U3720	118U3720	118U3720	118U3720	118U3720	118U3720
Receiver	118U4014	118U4014	118U4017	118U4017	118U4014	118U4014	118U4014	118U4017	118U4017
Sight glass	014L0173	014L0173	014L0175	014L0175	014L0173	014L0173	014L0173	014L0175	014L0175
Suction pressure sensor	118U4025	118U4025	118U4025	118U4025	118U4025	118U4025	118U4025	118U4025	118U4025
Suction valve	009G7055	009G7056	009G7056	009G7056	009G7054	009G7054	009G7054	009G7056	009G7056
Brass plug (3/8" NPT)	118U4037	118U4037	118U4037	118U4037	118U4037	118U4037	118U4037	118U4037	118U4037
Electrical Spare Parts									
Crankcase heater	120Z0459	120Z0459	120Z5040	120Z5040	120Z5040	120Z5040	120Z5040	120Z5040	120Z5040
EMI Filter (Controller)	118U3974	118U3974	118U3974	118U3974	118U3974	118U3974	118U3974	118U3974	118U3974
Optyma™ Plus Controller	118U3465	118U3465	118U3465	118U3465	118U3465	118U3465	118U3465	118U3465	118U3465
Discharge temperature sensor	084N2007	084N2007	084N2007	084N2007	084N2007	084N2007	084N2007	084N2007	084N2007
Suction and ambient temp sensor	084N0003	084N0003	084N0003	084N0003	084N0003	084N0003	084N0003	084N0003	084N0003
Contact kit	118U3846	118U3847	118U3848	118U3848	118U3846	118U3847	118U3847	118U3848	118U3849
Door handle + Shaft	118U3858	118U3858	118U3858	118U3858	118U3858	118U3858	118U3858	118U3858	118U3858
Main switch kit	118U3851	118U3852	118U3855	118U3856	118U3852	118U3852	118U3852	118U3855	118U3856
Module B+	-	-	-	-	118U4010	118U4010	118U4010	118U4010	118U4010
Run capacitor	-	-	-	-	-	-	-	-	-
Starting capacitor	-	-	-	-	-	-	-	-	-
Starting relay	-	-	-	-	-	-	-	-	-
Electrical Characteristics									
LRA Compressor [A]	32	51	95	150	62	88.5	90	95	150
MCC Compressor [A]	10.1	14.3	21	26	12	15	15	21	26
Max cont.power [kW]	4.53	6.87	7.96	11.1	4.6	6.2	6.5	8	11.2
MCC Fan [A]	0.97	0.97	2x0.97	2x0.97	0.97	0.97	0.97	2x0.97	2x0.97
Fan Power [W]	1x130	1x130	2x130	2x130	190	190	190	2x190	2x190
Accessories (Not Premounted)									
Acoustic hood	120Z0575	120Z0575	120Z5053	120Z5055	120Z5052	120Z5052	120Z5052	120Z5053	120Z5055
Fusible Plug(1/4")	118U5170	118U5170	118U5170	118U5170	118U5170	118U5170	118U5170	118U5170	118U5170
Adap-Kool Accessories									
External Display & settings	084B8575	084B8575	084B8575	084B8575	084B8575	084B8575	084B8575	084B8575	084B8575
Cable for EKA Displays 6 m	084B7299	084B7299	084B7299	084B7299	084B7299	084B7299	084B7299	084B7299	084B7299
Mounting kit for EKA Display	084B8584	084B8584	084B8584	084B8584	084B8584	084B8584	084B8584	084B8584	084B8584
MODBUS Communication Module	084B8571	084B8571	084B8571	084B8571	084B8571	084B8571	084B8571	084B8571	084B8571
Lon-Bus Communication Module	084B8579	084B8579	084B8579	084B8579	084B8579	084B8579	084B8579	084B8579	084B8579
Programming Key	084B8582	084B8582	084B8582	084B8582	084B8582	084B8582	084B8582	084B8582	084B8582
Sheet Metal									
Top Panel	118U5131	118U5131	118U5136	118U5136	118U5131	118U5131	118U5131	118U5136	118U5136
Fan Panel	118U5132	118U5132	-	-	118U5132	118U5132	118U5132	-	-
Back Panel	118U5133	118U5133	118U5139	118U5139	118U5133	118U5133	118U5133	118U5139	118U5139
Front Panel	118U5134	118U5134	-	-	118U5134	118U5134	118U5134	-	-
Access Panel	118U5135	118U5135	118U5140	118U5140	118U5135	118U5135	118U5135	118U5140	118U5140
Left side Panel	118U5165	118U5165	118U5166	118U5166	118U5165	118U5165	118U5165	118U5166	118U5166
Fan Panel (LH)	-	-	118U5137	118U5137	-	-	-	118U5137	118U5137
Fan Panel (RH)	-	-	118U5138	118U5138	-	-	-	118U5138	118U5138

MCA - Minimum Circuit Ampacity
MCC - Max Continuous Current
LRA - Locked Rotor Amps
* - Spare part, Starting Kit

Designation	LPVM016MP	LPVM026MS	LPVM034MS
Code Number	114X3110	114X3201	114X3202
Compressor Description	DPT16LA	DST26NA	DST34LA
Oil (reference)	POE 32	POE 46	POE 46
Housing	H1	H2	H2
Spare Parts			
Compressor single pack	123B6014	123B6015	123B6016
Condenser	118U5217	118U5218	118U5218
Discharge pressure sensor	118U4021	118U4021	118U4021
E-box Cable gland	118U5258	118U5258	118U5258
Fan assembly	-	-	-
Fan blade	118U3480	118U3481	118U3481
Fan capacitor	118U3296	118U3297	118U3297
Fan cowl/grill	118U3483	118U3484	118U3484
Fan motor	118U3477	118U3823	118U3823
Filter drier	023Z5039	023Z5040	023Z5040
High-pressure switch	118U3718	118U3718	118U3718
Liquid valve	009G7051	009G7051	009G7051
Low-pressure switch	118U3720	118U3720	118U3720
Receiver	118U4069	118U4070	118U4070
Sight glass	014L0182	014L0172	014L0172
Suction pressure sensor	118U4025	118U4025	118U4025
Suction valve	009G7051	009G7051	009G7051
Brass plug (3/8" NPT)	118U4037	118U4037	118U4037
Electrical Spare Parts			
Crankcase heater	120Z0057	120Z0057	120Z0057
EMI Filter (Controller)	118U3974	118U3974	118U3974
Opty™ Plus Controller	118U3465	118U3465	118U3465
Discharge temperature sensor	084N2007	084N2007	084N2007
Suction and ambient temp sensor	084N2007	084N2007	084N2007
Contact kit	118U3845	118U3846	118U3858
Door handle + Shaft	118U3858	118U3858	118U3858
Main switch kit	118U3853	118U5237	118U5237
Run capacitor	123B9219	123B9215	123B9226
Starting capacitor	123B9316	123B9304	123B9304
Starting relay	123B9151	123B9154	123B9154
Electrical Characteristics			
LRA Compressor [A]	19	33.5	29.5
MCC Compressor [A]	4	7.9	8.1
Max cont.power [kW]	0.89	6.87	1.31
MCC Fan [A]	0.32	0.47	0.47
Fan Power [W]	1x25	1x68	1x68
Min Fuse rating gL/gG (A)			
Acoustic hood	-	-	-
Adap-Kool Accessories			
External Display & settings	084B8575	084B8575	084B8575
Cable for EKA Displays 6 m	084B7299	084B7299	084B7299
Mounting kit for EKA Display	084B8584	084B8584	084B8584
MODBUS Communication Module	084B8571	084B8571	084B8571
Lon-Bus Communication Module	084B8579	084B8579	084B8579
Programming Key	084B8582	084B8582	084B8582
Sheet Metal			
Top Panel	118U5121	118U5126	118U5126
Fan Panel	118U5122	118U5127	118U5127
Back Panel	118U5123	118U5128	118U5128
Front Panel	118U5283	118U5285	118U5285
Access Panel	118U5284	118U5286	118U5286
Left side Panel	118U5163	118U5164	118U5164
Fan Panel (LH)	-	-	-
Fan Panel (RH)	-	-	-

MCA - Minimum Circuit Ampacity
MCC - Max Continuous Current
LRA - Locked Rotor Amps
* - Spare part, Starting Kit

Designation	MPYM008MY	MPYM009MY	MPYM012MP	MPYM014MP	MPOM024AJ	MPOM026AJ	MPOM026AJ	MPGM033AJ	MPOM034AJ
Code Number	114X4119	114X4120	114X4121	114X4122	114X4200	114X4212	114X4213	114X4220	114X4226
Compressor Description	MLY90RAB	MLY90RAB	MPT12RA	MPT14RA	CAJ9513Z	CAJ4517Z	TAJ4517Z	CAJ4511Y	CAJ4519Z
Oil (reference)	POE32	POE32	POE32	POE32	RL32HA/HT	RL32HA/HT	RL32HA/HT	RL32HA/HT	RL32HA/HT
Housing	H1	H1	H1	H1	H2	H2	H2	H2	H2
Spare Parts									
Compressor single pack	123B2510	123B2514	123B2518	123B2704	118U3995	118U3993	118U3991	118U3996	118U3994
Condenser	118U5217	118U5217	118U5217	118U5217	118U5218	118U5218	118U5218	118U5218	118U5218
Discharge pressure sensor	118U4021	118U4021	118U4021	118U4021	118U4021	118U4021	118U4021	118U4021	118U4021
Fan assembly	-	-	-	-	-	-	-	-	-
Fan blade	118U3480	118U3480	118U3480	118U3480	118U3481	118U3481	118U3481	118U3481	118U3481
Fan capacitor	118U3296	118U3296	118U3296	118U3296	118U3297	118U3297	118U3297	118U3297	118U3297
Fan cowl/grill	118U3483	118U3483	118U3483	118U3483	118U3484	118U3484	118U3484	118U3484	118U3484
Fan motor	118U3477	118U3477	118U3477	118U3477	118U3823	118U3823	118U3823	118U3823	118U3823
Filter drier	023Z5039	023Z5040	023Z5040	023Z5040	023Z5040	023Z5040	023Z5040	023Z5041	023Z5040
High-pressure switch	118U3718	118U3718	118U3718	118U3718	118U3718	118U3718	118U3718	118U3718	118U3718
Liquid valve	009G7050	009G7050	009G7051	009G7051	009G7022	009G7022	009G7022	009G7022	009G7022
Low-pressure switch	118U3720	118U3720	118U3720	118U3720	118U3720	118U3720	118U3720	118U3720	118U3720
Receiver	118U4020	118U4020	118U4020	118U4020	118U4012	118U4012	118U4012	118U4012	118U4012
Sight glass	014L0181	014L0181	014L0181	014L0181	014L0172	014L0172	014L0172	014L0172	014L0172
Suction pressure sensor	118U4025	118U4025	118U4025	118U4025	118U4025	118U4025	118U4025	118U4025	118U4025
Suction valve	009G7051	009G7051	009G7051	009G7051	009G7021	009G7021	009G7021	009G7021	009G7021
Brass plug (3/8" NPT)	118U4037	118U4037	118U4037	118U4037	118U4037	118U4037	118U4037	118U4037	118U4037
Electrical Spare Parts									
Crankcase heater	118U0051	118U0051	118U0051	118U0051	118U0051	118U0051	118U0051	118U0051	118U0051
EMI Filter (Controller)	118U3974	118U3974	118U3974	118U3974	118U3974	118U3974	118U3974	118U3974	118U3974
Optyma™ Plus Controller	118U3465	118U3465	118U3465	118U3465	118U3465	118U3465	118U3465	118U3465	118U3465
Discharge temperature sensor	084N2007	084N2007	084N2007	084N2007	084N2007	084N2007	084N2007	084N2007	084N2007
Suction and ambient temp sensor	084N0003	084N0003	084N0003	084N0003	084N0003	084N0003	084N0003	084N0003	084N0003
Contact kit	118U3845	118U3845	118U3845	118U3845	118U3846	118U3847	118U3845	118U3845	118U3847
Door handle + Shaft	118U3858	118U3858	118U3858	118U3858	118U3858	118U3858	118U3858	118U3858	118U3858
Main switch kit	118U3853	118U3853	118U3853	118U3851	118U3852	118U3852	118U3853	118U3851	118U3852
Run capacitor	123B9222*	123B9222*	123B9315	123B9315	-	-	-	-	-
Starting capacitor	123B9315*	123B9315*	123B9215	123B9226	118U5198*	118U5195*	-	118U5194*	118U5196*
Starting relay	123B9133	123B9133	123B9151	123B9139	-	-	-	-	-
Electrical Characteristics									
LRA Compressor [A]	14	17	18.5	21	33.5	38.5	18	30	45
MCC Compressor [A]	4.9	5.3	5.3	6.5	10.2	12.7	4	8.9	15.2
Max cont.power [kW]	0.55	0.62	0.84	1.03	1.75	1.96	2.05	1.5	2.7
MCC Fan [A]	0.32	0.32	0.32	0.32	0.47	0.47	0.47	0.47	0.47
Fan Power [W]	1x25	1x25	1x25	1x25	1x68	1x68	1x68	1x68	1x68
Accessories (Not Premounted)									
Acoustic hood	-	-	-	-	-	-	-	-	-
Fusible Plug(1/4")	118U5170	118U5170	118U5170	118U5170	118U5170	118U5170	118U5170	118U5170	118U5170
Adap-Kool Accessories									
External Display & settings	084B8575	084B8575	084B8575	084B8575	084B8575	084B8575	084B8575	084B8575	084B8575
Cable for EKA Displays 6 m	084B7299	084B7299	084B7299	084B7299	084B7299	084B7299	084B7299	084B7299	084B7299
Mounting kit for EKA Display	084B8584	084B8584	084B8584	084B8584	084B8584	084B8584	084B8584	084B8584	084B8584
MODBUS Communication Module	084B8571	084B8571	084B8571	084B8571	084B8571	084B8571	084B8571	084B8571	084B8571
Lon-Bus Communication Module	084B8579	084B8579	084B8579	084B8579	084B8579	084B8579	084B8579	084B8579	084B8579
Programming Key	084B8582	084B8582	084B8582	084B8582	084B8582	084B8582	084B8582	084B8582	084B8582
Sheet Metal									
Top Panel	118U5121	118U5121	118U5121	118U5121	118U5126	118U5126	118U5126	118U5126	118U5126
Fan Panel	118U5122	118U5122	118U5122	118U5122	118U5127	118U5127	118U5127	118U5127	118U5127
Back Panel	118U5123	118U5123	118U5123	118U5123	118U5128	118U5128	118U5128	118U5128	118U5128
Front Panel	118U5124	118U5124	118U5124	118U5124	118U5129	118U5129	118U5129	118U5129	118U5129
Access Panel	118U5125	118U5125	118U5125	118U5125	118U5130	118U5130	118U5130	118U5130	118U5130
Left side Panel	118U5163	118U5163	118U5163	118U5163	118U5164	118U5164	118U5164	118U5164	118U5164
Fan Panel (LH)	-	-	-	-	-	-	-	-	-
Fan Panel (RH)	-	-	-	-	-	-	-	-	-

MCA - Minimum Circuit Ampacity
MCC - Max Continuous Current
LRA - Locked Rotor Amps
* - Spare part, Starting Kit

Designation	MPOM034AJ	MPOM018AJ	MPXM034ML	MPXM034ML	MPXM046ML	MPXM046ML	MPXM057ML	MPXM057ML	MPXM068ML
Code Number	114X4227	114X4230	114X4261	114X4264	114X4281	114X4284	114X4290	114X4293	114X4308
Compressor Description	TAJ4519Z	CAJ9510Z	MLZ015T5	MLZ015T4	MLZ021T5	MLZ021T4	MLZ026T5	MLZ026T4	MLZ030T5
Oil (reference)	RL32HA/HT	RL32HA/HT	215PZ-POE46	215PZ-POE46	215PZ-POE46	215PZ-POE46	215PZ-POE46	215PZ-POE46	215PZ-POE46
Housing	H2	H2	H2	H2	H2	H2	H2	H2	H3
Spare Parts									
Compressor single pack	118U3989	118U3988	121L8631	121L8629	121L8635	121L8633	121L8639	121L8637	121L8643
Condenser	118U5218	118U5218	118U5218	118U5218	118U5218	118U5218	118U5218	118U5218	118U5219
Discharge pressure sensor	118U4021	118U4021	118U4021	118U4021	118U4021	118U4021	118U4021	118U4021	118U4021
Fan assembly	-	-	-	-	-	-	-	-	118U3829
Fan blade	118U3481	118U3481	118U3481	118U3481	118U3481	118U3481	118U3481	118U3481	-
Fan capacitor	118U3297	118U3297	118U3297	118U3297	118U3297	118U3297	118U3297	118U3297	-
Fan cowl/grill	118U3484	118U3484	118U3484	118U3484	118U3484	118U3484	118U3484	118U3484	118U3485
Fan motor	118U3823	118U3823	118U3823	118U3823	118U3823	118U3823	118U3823	118U3823	-
Filter drier	023Z5040	023Z5041	023Z5041	023Z5041	023Z5041	023Z5041	023Z5041	023Z5041	023Z5045
High-pressure switch	118U3718	118U3718	118U3718	118U3718	118U3718	118U3718	118U3718	118U3718	118U3718
Liquid valve	009G7022	009G7022	009G7052	009G7052	009G7052	009G7052	009G7052	009G7052	009G7053
Low-pressure switch	118U3720	118U3720	118U3720	118U3720	118U3720	118U3720	118U3720	118U3720	118U3720
Receiver	118U4012	118U4012	118U4012	118U4012	118U4012	118U4012	118U4012	118U4012	118U4014
Sight glass	014L0172	014L0172	014L0173	014L0173	014L0173	014L0173	014L0173	014L0173	014L0174
Suction pressure sensor	118U4025	118U4025	118U4025	118U4025	118U4025	118U4025	118U4025	118U4025	118U4025
Suction valve	009G7021	009G7021	009G7054	009G7054	009G7054	009G7054	009G7054	009G7054	009G7055
Brass plug (3/8" NPT)	118U4037	118U4037	118U4037	118U4037	118U4037	118U4037	118U4037	118U4037	118U4037
Electrical Spare Parts									
Crankcase heater	118U0051	118U0051	120Z5040	120Z5040	120Z5040	120Z5040	120Z5040	120Z5040	120Z5040
EMI Filter (Controller)	118U3974	118U3974	118U3974	118U3974	118U3974	118U3974	118U3974	118U3974	118U3974
Optyma™ Plus Controller	118U3465	118U3465	118U3465	118U3465	118U3465	118U3465	118U3465	118U3465	118U3465
Discharge temperature sensor	084N2007	084N2007	084N2007	084N2007	084N2007	084N2007	084N2007	084N2007	084N2007
Suction and ambient temp sensor	084N0003	084N0003	084N0003	084N0003	084N0003	084N0003	084N0003	084N0003	084N0003
Contact kit	118U3847	118U3845	118U3848	118U3845	118U3848	118U3846	118U3849	118U3846	118U3849
Door handle + Shaft	118U3858	118U3858	118U3858	118U3858	118U3858	118U3858	118U3858	118U3858	118U3858
Main switch kit	118U3853	118U3851	118U3854	118U3851	118U3856	118U3852	118U3856	118U3852	118U3857
Run capacitor	-	-	8173231	-	120Z0051	-	120Z0051	-	8173233
Starting capacitor	-	118U5197*	120Z0399	-	120Z0399	-	120Z0399	-	120Z0040
Starting relay	-	-	120Z0393	-	120Z0393	-	120Z0393	-	120Z0394
Electrical Characteristics									
LRA Compressor [A]	30	30	60	30	97	45	97	45	127
MCC Compressor [A]	7	8	19	7	25	9.5	26	10	32
Max cont.power [kW]	2.73	1.3	2.53	2.73	3.38	3.33	4.42	4.14	4.89
MCC Fan [A]	0.47	0.47	0.47	0.47	0.47	0.47	0.47	0.47	0.97
Fan Power [W]	1x68	1x68	1x68	1x68	1x68	1x68	1x68	1x68	1x130
Accessories (Not Premounted)									
Acoustic hood	-	-	120Z5043	120Z5043	120Z5043	120Z5043	120Z5043	120Z5043	120Z5044
Fusible Plug(1/4")	118U5170	118U5170	118U5170	118U5170	118U5170	118U5170	118U5170	118U5170	118U5170
Adap-Kool Accessories									
External Display & settings	084B8575	084B8575	084B8575	084B8575	084B8575	084B8575	084B8575	084B8575	084B8575
Cable for EKA Displays 6 m	084B7299	084B7299	084B7299	084B7299	084B7299	084B7299	084B7299	084B7299	084B7299
Mounting kit for EKA Display	084B8584	084B8584	084B8584	084B8584	084B8584	084B8584	084B8584	084B8584	084B8584
MODBUS Communication Module	084B8571	084B8571	084B8571	084B8571	084B8571	084B8571	084B8571	084B8571	084B8571
Lon-Bus Communication Module	084B8579	084B8579	084B8579	084B8579	084B8579	084B8579	084B8579	084B8579	084B8579
Programming Key	084B8582	084B8582	084B8582	084B8582	084B8582	084B8582	084B8582	084B8582	084B8582
Sheet Metal									
Top Panel	118U5126	118U5126	118U5126	118U5126	118U5126	118U5126	118U5126	118U5126	118U5131
Fan Panel	118U5127	118U5127	118U5127	118U5127	118U5127	118U5127	118U5127	118U5127	118U5132
Back Panel	118U5128	118U5128	118U5128	118U5128	118U5128	118U5128	118U5128	118U5128	118U5133
Front Panel	118U5129	118U5129	118U5129	118U5129	118U5129	118U5129	118U5129	118U5129	118U5134
Access Panel	118U5130	118U5130	118U5130	118U5130	118U5130	118U5130	118U5130	118U5130	118U5135
Left side Panel	118U5164	118U5164	118U5164	118U5164	118U5164	118U5164	118U5164	118U5164	118U5165
Fan Panel (LH)	-	-	-	-	-	-	-	-	-
Fan Panel (RH)	-	-	-	-	-	-	-	-	-

MCA - Minimum Circuit Ampacity
MCC - Max Continuous Current
LRA - Locked Rotor Amps
* - Spare part, Starting Kit

Designation	MPXM068ML	MPXM080ML	MPXM080ML	MPXM108ML	MPXM125ML	MPXM162ML
Code Number	114X4311	114X4321	114X4324	114X4344	114X4414	114X4434
Compressor Description	MLZ030T4	MLZ038T5	MLZ038T4	MLZ048T4	MLZ058T4	MLZ076T4
Oil (reference)	215PZ-POE46	215PZ-POE46	215PZ-POE46	215PZ-POE46	215PZ-POE46	215PZ-POE46
Housing	H3	H3	H3	H3	H4	H4
Spare Parts						
Compressor single pack	121L8641	121L8647	121L8645	121L8651	121L8653	121L8655
Condenser	118U5219	118U5219	118U5219	118U5219	118U5220	118U5220
Discharge pressure sensor	118U4021	118U4021	118U4021	118U4021	118U4021	118U4021
Fan assembly	118U3829	118U3829	118U3829	118U3829	118U3829	118U3829
Fan blade	-	-	-	-	-	-
Fan capacitor	-	-	-	-	-	-
Fan cowl/grill	118U3485	118U3485	118U3485	118U3485	118U3485	118U3485
Fan motor	-	-	-	-	-	-
Filter drier	023Z5045	023Z5045	023Z5045	023Z5045	023Z5046	023Z5046
High-pressure switch	118U3718	118U3718	118U3718	118U3718	118U3718	118U3718
Liquid valve	009G7053	009G7053	009G7053	009G7053	009G7054	009G7054
Low-pressure switch	118U3720	118U3720	118U3720	118U3720	118U3720	118U3720
Receiver	118U4014	118U4014	118U4014	118U4014	118U4017	118U4017
Sight glass	014L0174	014L0174	014L0174	014L0174	014L0175	014L0175
Suction pressure sensor	118U4025	118U4025	118U4025	118U4025	118U4025	118U4025
Suction valve	009G7055	009G7055	009G7055	009G7055	009G7056	009G7056
Brass plug (3/8" NPT)	118U4037	118U4037	118U4037	118U4037	118U4037	118U4037
Electrical Spare Parts						
Crankcase heater	120Z5040	120Z5040	120Z5040	120Z5040	120Z5040	120Z5040
EMI Filter (Controller)	118U3974	118U3974	118U3974	118U3974	118U3974	118U3974
Optyma™ Plus Controller	118U3465	118U3465	118U3465	118U3465	118U3465	118U3465
Discharge temperature sensor	084N2007	084N2007	084N2007	084N2007	084N2007	084N2007
Suction and ambient temp sensor	084N0003	084N0003	084N0003	084N0003	084N0003	084N0003
Contact kit	118U3847	118U3850	118U3847	118U3848	118U3847	118U3848
Door handle + Shaft	118U3858	118U3858	118U3858	118U3858	118U3858	118U3858
Main switch kit	118U3852	118U3857	118U3852	118U3854	118U3855	118U3856
Run capacitor	-	8173234	-	-	-	-
Starting capacitor	-	8173001	-	-	-	-
Starting relay	-	120Z0395	-	-	-	-
Electrical Characteristics						
LRA Compressor [A]	60	130	70	87	95	140
MCC Compressor [A]	13	38	15	16	20	25
Max cont.power [kW]	4.88	5.77	5.78	7.55	9.39	11.41
MCC Fan [A]	0.97	0.47	0.97	0.97	2x0.97	2x0.97
Fan Power [W]	1x130	1x130	1x130	1x130	1x130	1x130
Accessories (Not Premounted)						
Acoustic hood	120Z5044	120Z5044	120Z5044	120Z5044	120Z5045	120Z5045
Fusible Plug(1/4")	118U5170	118U5170	118U5170	118U5170	118U5170	118U5170
Adap-Kool Accessories						
External Display & settings	084B8575	084B8575	084B8575	084B8575	084B8575	084B8575
Cable for EKA Displays 6 m	084B7299	084B7299	084B7299	084B7299	084B7299	084B7299
Mounting kit for EKA Display	084B8584	084B8584	084B8584	084B8584	084B8584	084B8584
MODBUS Communication Module	084B8571	084B8571	084B8571	084B8571	084B8571	084B8571
Lon-Bus Communication Module	084B8579	084B8579	084B8579	084B8579	084B8579	084B8579
Programming Key	084B8582	084B8582	084B8582	084B8582	084B8582	084B8582
Sheet Metal						
Top Panel	118U5131	118U5131	118U5131	118U5131	118U5136	118U5136
Fan Panel	118U5132	118U5132	118U5132	118U5132	-	-
Back Panel	118U5133	118U5133	118U5133	118U5133	118U5139	118U5139
Front Panel	118U5134	118U5134	118U5134	118U5134	-	-
Access Panel	118U5135	118U5135	118U5135	118U5135	118U5140	118U5140
Left side Panel	118U5165	118U5165	118U5165	118U5165	118U5166	118U5166
Fan Panel (LH)	-	-	-	-	118U5137	118U5137
Fan Panel (RH)	-	-	-	-	118U5138	118U5138

MCA - Minimum Circuit Ampacity
MCC - Max Continuous Current
LRA - Locked Rotor Amps
* - Spare part, Starting Kit

Designation	MPTM008DY	MPTM009DY	MPTM012DP	MPTM014DP	MPTM018DX	MPTM022DS
Code Number	114X4107	114X4111	114X4113	114X4114	114X4115	114X4237
Compressor Description	DLY80RAb	DLY90RAb	DPT12RA	DPT14RA	DX18Tba	DS22TB
Oil (reference)	POE32	POE32	POE32	POE32	POE32	POE 46
Housing	H1	H1	H1	H1	H1	H2
Spare Parts						
Compressor single pack	123B6003	123B6004	123B6005	123B6006	123B6007	123B6008
Condenser	118U5217	118U5217	118U5217	118U5217	118U5217	118U5218
Discharge pressure sensor	118U4021	118U4021	118U4021	118U4021	118U4021	118U4021
E-box Cable gland	118U5258	118U5258	118U5258	118U5258	118U5258	118U5258
Fan assembly	-	-	-	-	-	-
Fan blade	118U3480	118U3480	118U3480	118U3480	118U3480	118U3481
Fan capacitor	118U3296	118U3296	118U3296	118U3296	118U3296	118U3297
Fan cowl/grill	118U3483	118U3483	118U3483	118U3483	118U3483	118U3484
Fan motor	118U3477	118U3477	118U3477	118U3477	118U3477	118U3823
Filter drier	023Z5039	023Z5039	023Z5040	023Z5040	023Z5040	023Z5040
High-pressure switch	118U3718	118U3718	118U3718	118U3718	118U3718	118U3718
Liquid valve	009G7050	009G7050	009G7051	009G7051	009G7051	009G7051
Low-pressure switch	118U3720	118U3720	118U3720	118U3720	118U3720	118U3720
Receiver	118U4069	118U4069	118U4069	118U4069	118U4069	118U4070
Sight glass	014L0181	014L0181	014L0182	014L0182	014L0182	014L0182
Suction pressure sensor	118U4025	118U4025	118U4025	118U4025	118U4025	118U4025
Suction valve	009G7051	009G7051	009G7051	009G7051	009G7051	009G7052
Brass plug (3/8" NPT)	118U4037	118U4037	118U4037	118U4037	118U4037	118U4037
Electrical Spare Parts						
Crankcase heater	120Z0057	120Z0057	120Z0057	120Z0057	120Z0057	120Z0057
EMI Filter (Controller)	118U3974	118U3974	118U3974	118U3974	118U3974	118U3974
Optyma™ Plus Controller	118U3465	118U3465	118U3465	118U3465	118U3465	118U3465
Discharge temperature sensor	084N2007	084N2007	084N2007	084N2007	084N2007	084N2007
Suction and ambient temp sensor	084N2007	084N2007	084N2007	084N2007	084N2007	084N2007
Contact kit	118U3845	118U3845	118U3845	118U3845	118U3846	118U3846
Door handle + Shaft	118U3858	118U3858	118U3858	118U3858	118U3858	118U3858
Main switch kit	118U3853	118U3853	118U3853	118U3851	118U3851	118U5237
Run capacitor	123B9222	123B9222	123B9315	123B9315	123B9219	123B9215
Starting capacitor	123B9315	123B9315	123B9215	123B9215	123B9321	123B9302
Starting relay	123B9133	123B9133	123B9151	123B9151	123B9159	123B9154
Electrical Characteristics						
LRA Compressor [A]	14	17	18.5	21	34.5	32
MCC Compressor [A]	4.9	5.3	5.3	6.5	9	8.4
Max cont.power [kW]	0.55	0.62	0.84	1.03	2.73	1.70
MCC Fan [A]	0.32	0.32	0.32	0.32	0.32	0.47
Fan Power [W]	1x25	1x25	1x25	1x25	1x25	1x68
Accessories (Not Premounted)						
Acoustic hood	-	-	-	-	-	-
Adap-Kool Accessories						
External Display & settings	084B8575	084B8575	084B8575	084B8575	084B8575	084B8575
Cable for EKA Displays 6 m	084B7299	084B7299	084B7299	084B7299	084B7299	084B7299
Mounting kit for EKA Display	084B8584	084B8584	084B8584	084B8584	084B8584	084B8584
MODBUS Communication Module	084B8571	084B8571	084B8571	084B8571	084B8571	084B8571
Lon-Bus Communication Module	084B8579	084B8579	084B8579	084B8579	084B8579	084B8579
Programming Key	084B8582	084B8582	084B8582	084B8582	084B8582	084B8582
Sheet Metal						
Top Panel	118U5121	118U5121	118U5121	118U5121	118U5121	118U5126
Fan Panel	118U5122	118U5122	118U5122	118U5122	118U5122	118U5127
Back Panel	118U5123	118U5123	118U5123	118U5123	118U5123	118U5128
Front Panel	118U5124	118U5124	118U5124	118U5124	118U5124	118U5129
Access Panel	118U5284	118U5284	118U5284	118U5284	118U5284	118U5286
Left side Panel	118U5163	118U5163	118U5163	118U5163	118U5163	118U5164
Fan Panel (LH)	-	-	-	-	-	-
Fan Panel (RH)	-	-	-	-	-	-

MCA - Minimum Circuit Ampacity
MCC - Max Continuous Current
LRA - Locked Rotor Amps
* - Spare part, Starting Kit

Designation	MPTM026DS	MPTM026DS	MPSM026CS	MPSM030CS	MPTM034DS	MPTM034DS
Code Number	114X4238	114X4239	114X4243	114X4244	114X4241	114X4242
Compressor Description	DS26TB	DS26T3	CS26TB	CS30TB	DS34TB	DS34T3
Oil (reference)	POE 46	POE 46	POE 32	POE 32	POE 46	POE 46
Housing	H2	H2	H2	H2	H2	H2
Spare Parts						
Compressor single pack	123B6009	123B6011	123B6001	123B6002	123B6010	123B6012
Condenser	118U5218	118U5218	118U5218	118U5218	118U5218	118U5218
Discharge pressure sensor	118U4021	118U4021	118U4021	118U4021	118U4021	118U4021
E-box Cable gland	118U5258	118U5258	118U5258	118U5258	118U5258	118U5258
Fan assembly	-	-	-	-	-	-
Fan blade	118U3481	118U3481	118U3481	118U3481	118U3481	118U3481
Fan capacitor	118U3297	118U3297	118U3297	118U3297	118U3297	118U3297
Fan cowl/grill	118U3484	118U3484	118U3484	118U3484	118U3484	118U3484
Fan motor	118U3823	118U3823	118U3823	118U3823	118U3823	118U3823
Filter drier	023Z5040	023Z5040	023Z5040	023Z5040	023Z5040	023Z5040
High-pressure switch	118U3718	118U3718	118U3718	118U3718	118U3718	118U3718
Liquid valve	009G7051	009G7051	009G7051	009G7051	009G7051	009G7051
Low-pressure switch	118U3720	118U3720	118U3720	118U3720	118U3720	118U3720
Receiver	118U4070	118U4070	118U4070	118U4070	118U4070	118U4070
Sight glass	014L0182	014L0182	014L0182	014L0182	014L0182	014L0182
Suction pressure sensor	118U4025	118U4025	118U4025	118U4025	118U4025	118U4025
Suction valve	009G7052	009G7052	009G7052	009G7052	009G7052	009G7052
Brass plug (3/8" NPT)	118U4037	118U4037	118U4037	118U4037	118U4037	118U4037
Electrical Spare Parts						
Crankcase heater	120Z0057	120Z0057	120Z0057	120Z0057	120Z0057	120Z0057
EMI Filter (Controller)	118U3974	118U3974	118U3974	118U3974	118U3974	118U3974
Optyma™ Plus Controller	118U3465	118U3465	118U3465	118U3465	118U3465	118U3465
Discharge temperature sensor	084N2007	084N2007	084N2007	084N2007	084N2007	084N2007
Suction and ambient temp sensor	084N2007	084N2007	084N2007	084N2007	084N2007	084N2007
Contact kit	118U3847	118U3845	118U3846	118U3846	118U3848	118U3845
Door handle + Shaft	118U3858	118U3858	118U3858	118U3858	118U3858	118U3858
Main switch kit	118U3852	118U3853	118U5237	118U5237	118U3854	118U3851
Run capacitor	123B9215	123B9215		123B9302	123B9226	
Starting capacitor	123B9304	123B9304	123B9304	123B9146	123B9304	
Starting relay	123B9154	123B9154	123B9146	123B9219	123B9154	
Electrical Characteristics						
LRA Compressor [A]	38	15.7	32		41	
MCC Compressor [A]	11.5	4.8	8.7		17.5	6.4
Max cont.power [kW]						
MCC Fan [A]	0.47	0.47	0.47	0.47	0.47	0.47
Fan Power [W]	1x68	1x68	1x68	1x68	1x68	1x68
Accessories (Not Premounted)						
Acoustic hood						
Adap-Kool Accessories						
External Display & settings	084B8575	084B8575	084B8575	084B8575	084B8575	084B8575
Cable for EKA Displays 6 m	084B7299	084B7299	084B7299	084B7299	084B7299	084B7299
Mounting kit for EKA Display	084B8584	084B8584	084B8584	084B8584	084B8584	084B8584
MODBUS Communication Module	084B8571	084B8571	084B8571	084B8571	084B8571	084B8571
Lon-Bus Communication Module	084B8579	084B8579	084B8579	084B8579	084B8579	084B8579
Programming Key	084B8582	084B8582	084B8582	084B8582	084B8582	084B8582
Sheet Metal						
Top Panel	118U5126	118U5126	118U5126	118U5126	118U5126	118U5126
Fan Panel	118U5127	118U5127	118U5127	118U5127	118U5127	118U5127
Back Panel	118U5128	118U5128	118U5128	118U5128	118U5128	118U5128
Front Panel	118U5129	118U5129	118U5129	118U5129	118U5129	118U5129
Access Panel	118U5286	118U5286	118U5286	118U5286	118U5286	118U5286
Left side Panel	118U5164	118U5164	118U5164	118U5164	118U5164	118U5164
Fan Panel (LH)	-	-	-	-	-	-
Fan Panel (RH)	-	-	-	-	-	-

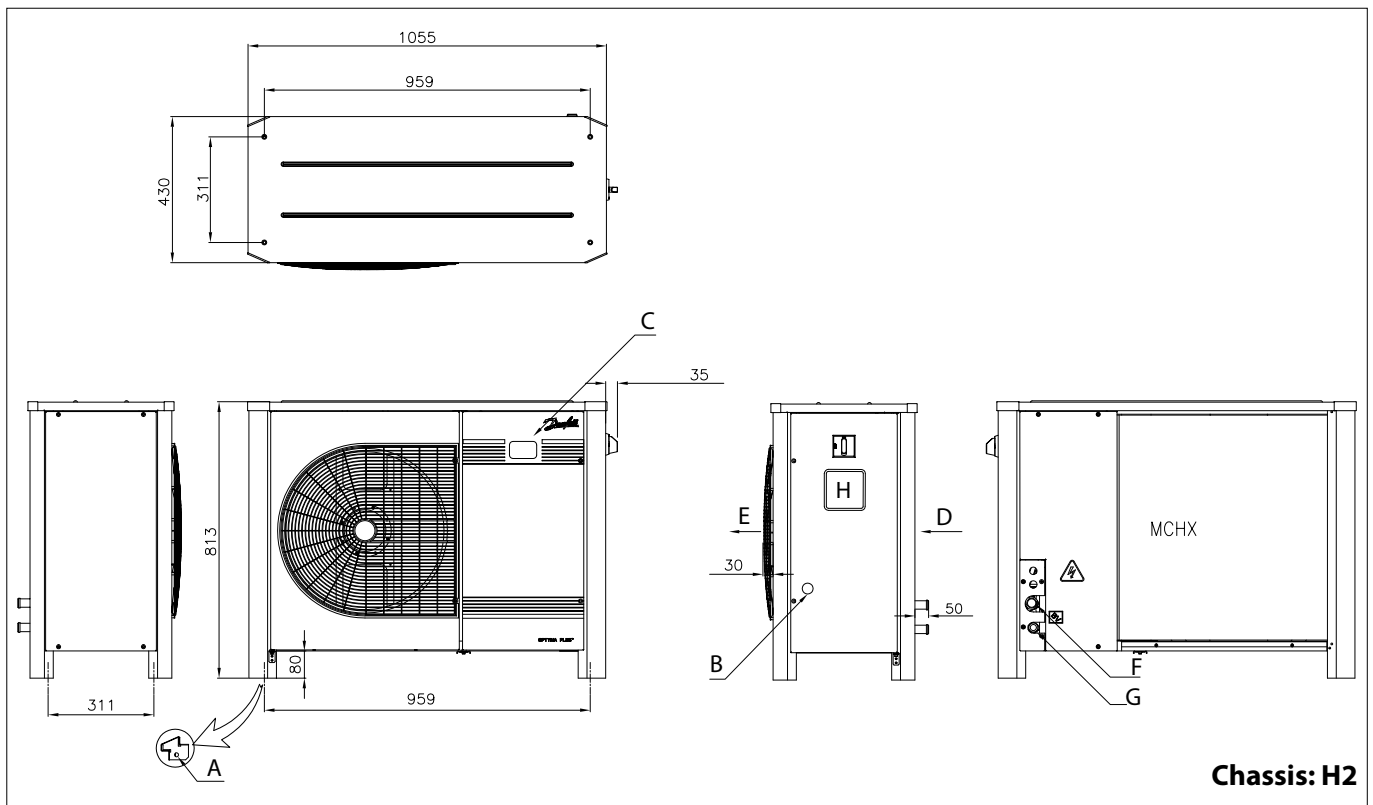
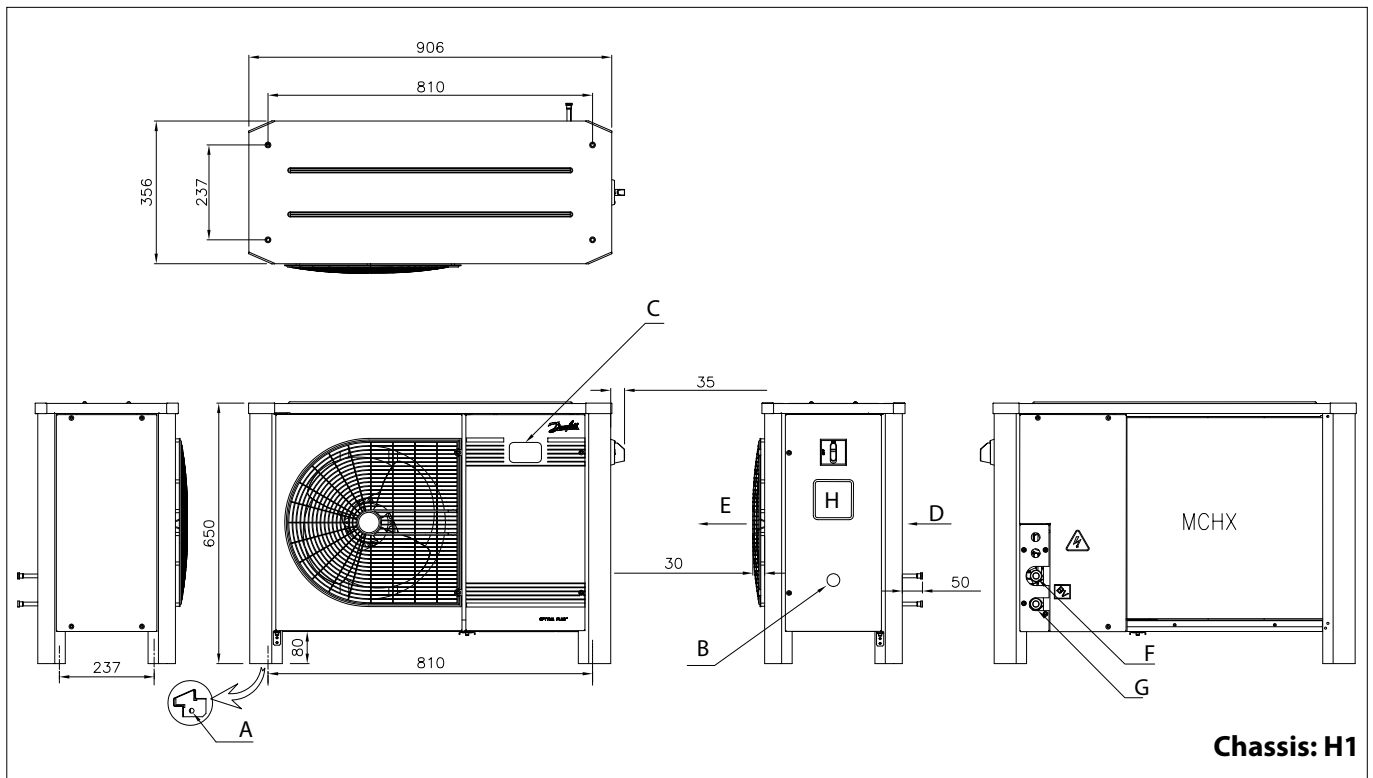
MCA - Minimum Circuit Ampacity
MCC - Max Continuous Current
LRA - Locked Rotor Amps
* - Spare part, Starting Kit

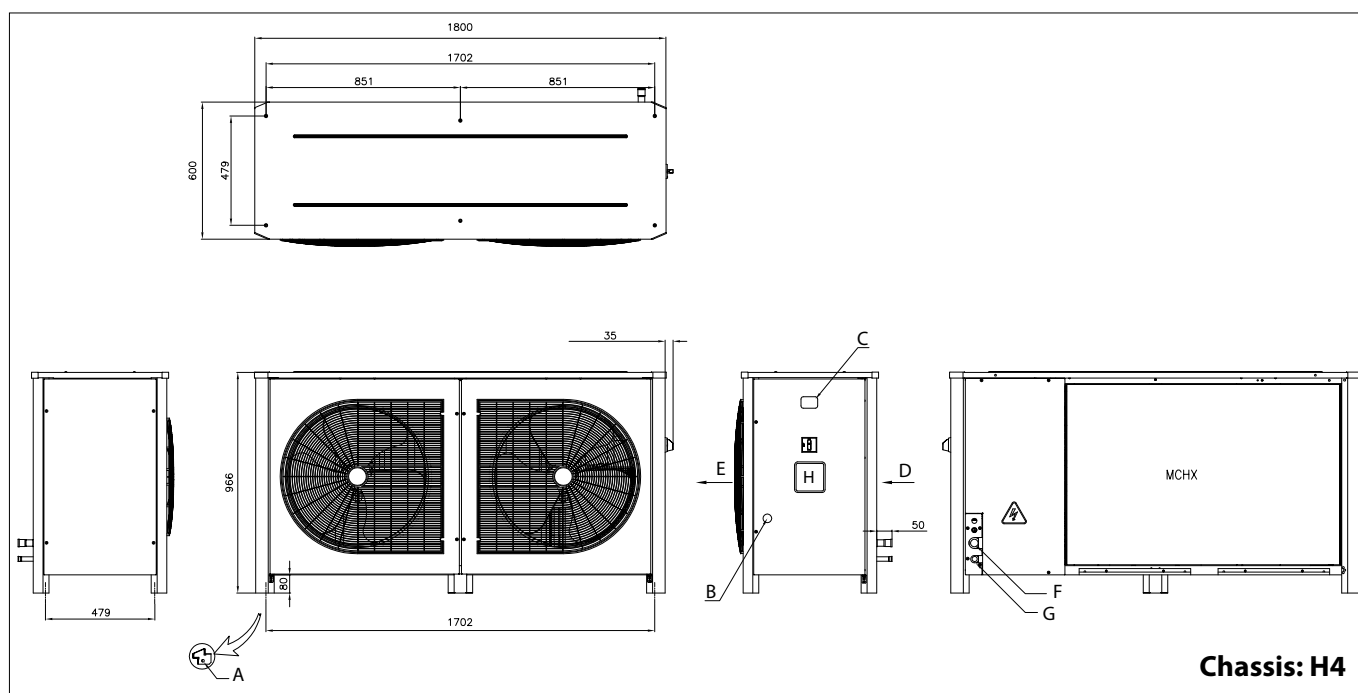
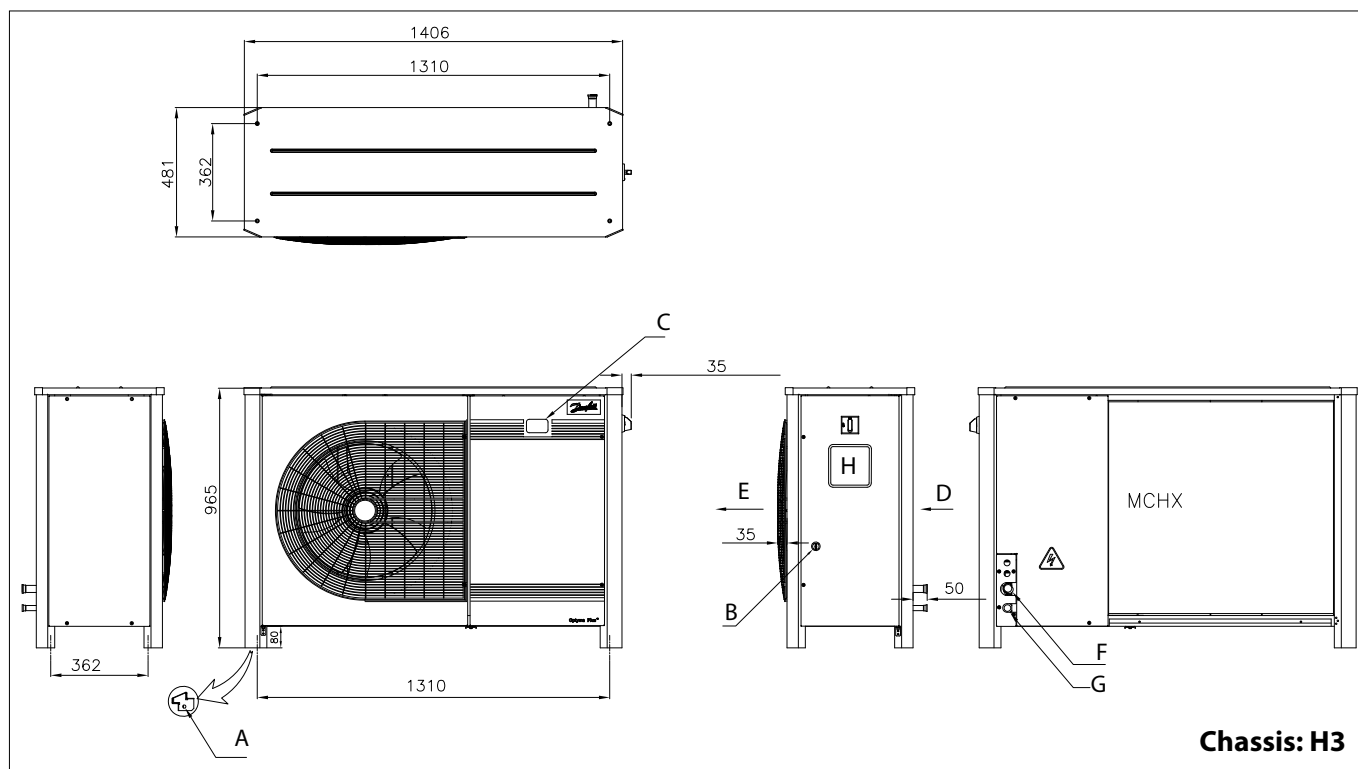
Component type	Component code	Component description	Additional informations
Acoustic Hood	120Z0575	ACOUSTIC HOOD COMP 1CYL	
Acoustic Hood	120Z5043	ACCOUSTIC HOOD - SMALL FRAME	
Acoustic Hood	120Z5044	Acoustic hood for Scroll MLZ compressor	
Acoustic Hood	120Z5045	ACCOUSTIC HOOD, LARGE FRAME	
Acoustic Hood	120Z5052	Sound Cover, LLZ013-018	
Brass plug (3/8" NPT)	118U4037	SPARE PART, 3/8" BRASS PLUG	
Cable for EKA Displays 6 m	084B7299	EKA Accessory	
Capacitor	8173001	CAPACITOR 100µF 330V+R	
Capacitor	8173041	CAPACITOR 30µF 450V	
Compressor Single Pack	118U3914	FH2511Z	
Compressor Single Pack	118U3915	TFH2511Z	
Compressor Single Pack	118U3988	CAJ9510Z - AJ2 range	
Compressor Single Pack	118U3989	TAJ4519Z - AJ2 range	
Compressor Single Pack	118U3991	TAJ4517Z - AJ2 range	
Compressor Single Pack	118U3992	CAJ2446Z - AJ2 range	
Compressor Single Pack	118U3993	CAJ4517Z - AJ2 range	
Compressor Single Pack	118U3994	CAJ4519Z - AJ2 range	
Compressor Single Pack	118U3995	CAJ9513Z - AJ2 range	
Compressor Single Pack	118U3996	CAJ4511Y - AJ2 range	
Compressor Single Pack	120F0226	NTZ048-4LR1B	
Compressor Single Pack	120F0228	NTZ048-5LR1B	
Compressor Single Pack	120F0230	NTZ068-4LR1B	
Compressor Single Pack	120F0232	NTZ068-5LR1B	
Compressor Single Pack	120F0234	NTZ096A4LR1B	
Compressor Single Pack	120F0236	NTZ136A4LR1B	
Compressor Single Pack	121L8629	MLZ015T4LP9A	
Compressor Single Pack	121L8631	MLZ015T5LP9A	
Compressor Single Pack	121L8633	MLZ021T4LP9A	
Compressor Single Pack	121L8635	MLZ021T5LP9A	
Compressor Single Pack	121L8637	MLZ026T4LP9A	
Compressor Single Pack	121L8639	MLZ026T5LP9A	
Compressor Single Pack	121L8641	MLZ030T4LC9A	
Compressor Single Pack	121L8643	MLZ030T5LC9A	
Compressor Single Pack	121L8645	MLZ038T4LC9A	
Compressor Single Pack	121L8647	MLZ038T5LC9A	
Compressor Single Pack	121L8651	MLZ048T4LC9A	
Compressor Single Pack	121L8653	MLZ058T4LC9A	
Compressor Single Pack	121L8655	MLZ076T4LC9A	
Compressor Single Pack	121L9541	LLZ024T4LQ9A	
Compressor Single Pack	121L9543	LLZ034T4LQ9A	
Compressor Single Pack	123B2127	MPT16LA	
Compressor Single Pack	123B2510	MLY80RAb	
Compressor Single Pack	123B2514	MLY90RAb	
Compressor Single Pack	123B2518	MPT12RA	
Compressor Single Pack	123B2704	MPT14RA	
Compressor Single Pack	195B0323	SC12MLX	CU phased out but spare part still available
Compressor Single Pack	195B0332	SC18CLX.2	CU phased out but spare part still available
Compressor Single Pack	195B0345	SC10MLX	CU phased out but spare part still available
Compressor Single Pack	195B0391	SC15MLX	CU phased out but spare part still available
Compressor Single Pack	195B0427	GS26CLX	CU phased out but spare part still available
Compressor Single Pack	195B0435	GS34MFX	CU phased out but spare part still available
Compressor Single Pack	195B0438	GS34MLX	CU phased out but spare part still available
Compressor Single Pack	195B0443	NF7MLX	CU phased out but spare part still available
Compressor Single Pack	195B0624	SC18MLX	CU phased out but spare part still available
Compressor Single Pack	123B6001	CS26TB; 220-240V 50Hz ~1; I Pack	
Compressor Single Pack	123B6002	CS30TB; 220-240V 50Hz ~1; I Pack	
Compressor Single Pack	123B6003	DLY80RAb; 220-240V 50Hz ~1; I Pack	
Compressor Single Pack	123B6004	DLY90RAb; 220-240V 50Hz ~1; I Pack	
Compressor Single Pack	123B6005	DPT12RA; 220-240V 50Hz ~1; I Pack	
Compressor Single Pack	123B6006	DPT14RA; 220-240V 50Hz ~1; I Pack	
Compressor Single Pack	123B6007	DX18TBa; 220-240V 50Hz ~1; I Pack	
Compressor Single Pack	123B6008	DS22TB; 220-240V 50Hz ~1; I Pack	
Compressor Single Pack	123B6009	DS26TB; 220-240V 50Hz ~1; I Pack	
Compressor Single Pack	123B6010	DS34TB; 220-240V 50Hz ~1; I Pack	
Compressor Single Pack	123B6011	DS26T3; 400/440V 50/60Hz ~3; I Pack	
Compressor Single Pack	123B6012	DS34T3; 400/440V 50/60Hz ~3; I Pack	
Compressor Single Pack	123B6013	DPT14LA; 220-240V 50Hz ~1; I Pack	
Compressor Single Pack	123B6014	DPT16LA; 220-240V 50Hz ~1; I Pack	

Component type	Component code	Component description	Additional informations
Compressor Single Pack	123B6015	DST26NA; 220-240V 50Hz; I Pack	
Compressor Single Pack	123B6016	DST34LA; 220-240V 50Hz ~1; I Pac	
Condenser	118U3492	Spare part, A7 MCHX	Phased out & replaced by 118U5217 from SN: -096147CG0419
Condenser	118U3493	Spare part, D7 MCHX	Phased out & replaced by 118U5218 from SN: -096147CG0419
Condenser	118U3494	Spare part, G7 MCHX	Phased out & replaced by 118U5219 from SN: -096147CG0419
Condenser	118U3717	Spare part, J7 MCHX	Phased out & replaced by 118U5220 from SN: -096147CG0420
Discharge pressure sensor	075G1036	Sensor DST P110 (0 to 32 bar SG)	
Suction pressure sensor	075G1013	Sensor DST P110 (-1 to 12 bar SG)	
E-box Cable gland	118U5258	SPARE PART, CABLE GLAND (A2L)	
Electric expansion valve	034G5015	ETS 6-14 Electric expansion valve	
Electric expansion valve coil	034G5145	ETS 6 coil for Ele expansion valve	
Electric expansion valve coil	034G5185	ETS 6 coil for Ele expansion valve	
Contactorkit	118U3845	A 9-30-01-80, DILM07-01, DILM09-01	
Contactorkit	118U3846	A12-30-01-80, DILM12-01	
Contactorkit	118U3847	A 16-30-01-80, DILM15-01	
Contactorkit	118U3848	A 26-30-01-80, DILM17-01	
Contactorkit	118U3849	A 30-30-01-80, DILM25-01	
Contactorkit	118U3850	A 50-30-00-80, DILM32-01	
Crankcase heater	120Z0057	Belt type, 50 W, 230 V, CE mark, UL	
Crankcase heater	120Z0459	PTC heater 27 W, CE mark, UL	
Crankcase heater	120Z5040	Belt type, 70 W, 240 V, CE mark, UL	
Crankcase heater	118U0051	CRANKCASE HEATER 55W	
Discharge pressure sensor	118U4021	AKS 32R 0...32 bar	
Discharge temperature sensor	084N2007	AKS 21 A -70 TIL 160	
Door handle	118U3858	Door handle, ABB-OHB2AJM,MSMN,OX55X131	
External Display & settings	084B8575	EKA 164B, Display, Remote setting	
EMI Filter (Controller)	118U3974	CONTROLLER EMC/RFI FILTER OPTYMA PLUS	
Fan assembly	118U3829	FAN ASSEMBLIES, EBM, ERP2015	
Fan blade	118U3480	FAN BLADE 14"	
Fan blade	118U3481	FAN BLADE 18"	
Fan capacitor	118U3296	CAPACITOR 1,8 µF	
Fan capacitor	118U3297	CAPACITOR 3,5 µF	
Fan cowl/grill	118U3483	FAN GRILL HOUSING Ø356 mm	
Fan cowl/grill	118U3484	FAN GRILL HOUSING Ø457 mm	
Fan cowl/grill	118U3485	FAN GRILL HOUSING Ø609 mm	
Fan motor (Capacitor not included)	118U3477	FAN MOTOR 25W	
Fan motor (Capacitor not included)	118U3823	FAN MOTOR 68 W	
Fan motor (Capacitor not included)	118U3478	FAN MOTOR 75W	
Filter drier	023Z5039	Filter drier DML 082	
Filter drier	023Z5040	Filter drier DML083	
Filter drier	023Z5041	Filter drier DML084	
Filter drier	023Z5044	Filter drier DML164	
Filter drier	023Z5045	Filter drier DML165	
Filter drier	023Z5046	Filter drier DML166	
Fusible plug (1/4")	118U5170	SPARE PART, FUSIBLE PLUG	
High-pressure switch	118U3718	ACB-2UB463W	
Lon-Bus COM Module	084B8579	EKA175, LON-module	
Low-pressure switch	118U3720	ACB-2UA418W	
Liquid injection controller	118U4010	Spare Part, Module B Plus	
Main switch kit	118U3855	MPCB,MS132-25+HK1-12	
Main switch kit	118U3856	MPCB,MS132-32+HK1-12	
Main switch kit	118U3857	MPCB,MS450-40+HKS4-21	
MODBUS COM Module	084B8571	EKA 178B, Modbus Module	
Mounting kit for EKA Display	084B8584	Mounting kit, EKA display	
Module B+	118U4010	SPARE PART, MODULE B PLUS LLZ LI	
MPCB	118U3851	MPCB,MS116-10+HK1-12	
MPCB	118U3852	MPCB,MS116-16+HK1-12	
MPCB	118U3853	MPCB,MS116-6.3+HK1-12	
MPCB	118U3854	MPCB,MS132-20+HK1-12	
Oil	-	POE32 for Light Commercial (MLY / MPT)	
Oil	-	RL32HA/HT for light Commercial (CAJ/FH/TAJ/TFH)	
Oil	120Z0638	1 litre can of 175PZ - POE (NTZ Platform)	CU with a SN above 051220CG3016
Oil	120Z0639	2,5 litre can of 175PZ - POE (NTZ Platform)	CU with a SN above 051220CG3016
Oil	120Z0648	1 litre can of 215PZ - POE46 (MLZ & LLZ Platform)	CU with a SN above 051220CG3016

Component type	Component code	Component description	Additional informations
Optyma Plus Controller	118U3465	OPTYMA PLUS CONTROLLER-084B8080	
Programming Key	084B8582	AKA183A	
Receiver	118U4020	LIQUID RECEIVER 1,3 L	
Receiver	118U4012	LIQUID RECEIVER 3,4 L	
Receiver	118U4014	LIQUID RECEIVER 6,2 L	
Receiver	118U3716	LIQUID RECEIVER 10 L	
Receiver	118U4069	SPARE PART, RCVR 1.3L, 1/4x3/8	
Receiver	118U4070	SPARE PART, RCVR 3.4L, 1/2x1/2	
Run capacitor	7701035	PSC starting kit, 30 µF, 15 µF	
Run capacitor	8173231	Run capacitor 440V, 40 µF	
Run capacitor	8173233	Run capacitor 440V, 50 µF	
Run capacitor	8173234	Run capacitor 440V, 55 µF	
Run capacitor	120Z0051	Run capacitor 70 µF	
Service valve	009G7050	GBC 6s Ball Valve M/25	
Service valve	009G7051	GBC 10s Ball Valve M/25	
Service valve	009G7052	GBC 12s Ball Valve M/25	
Service valve	009G7053	GBC 16s Ball Valve M/25	
Service valve	009G7054	GBC 18s Ball Valve M/25	
Service valve	009G7055	GBC 22s Ball Valve M/25	
Service valve	009G7056	GBC 28s Ball Valve M/5	
Sight glass	014L0172	Sight Glass, SGP 10 N	
Sight glass	014L0173	Sight Glass, SGP 12 N	
Sight glass	014L0174	Sight Glass, SGP 16 N	
Sight glass	014L0175	Sight Glass, SGP 19 N	
Sight glass	014L0181	Sight Glass, SGP 6s N	
Sight glass	014L0182	Sight Glass, SGP 10s N	
Starting capacitor	123B9215	CAPACITOR 20µF/420V, REF. 309 MET	
Starting capacitor	117U5012	Start capacitor 125 µF, 220V - SC	
Starting capacitor	117U5017	Start capacitor 80 µF, 220V - SC	
Starting capacitor	117U5018	Start capacitor 125 µF, 220V - NF,NL	
Starting capacitor	120Z0040	Start capacitor 161-193 µF	
Starting capacitor	120Z0399	Start capacitor 145-175 µF	
Starting relay	8173022	Starting relay type RVA-6AMKL/3ARR3J4A4	
Starting relay	117U4139	RELAY ASSY. HST - "MRP56EN-6; 117U2121	
Starting relay	120Z0393	Starting relay type RVA9CKL/3ARR3J4A4	
Starting relay	120Z0394	Starting relay type RVA3EKL/3ARR3J2P4	
Starting relay	120Z0395	Starting relay type RVA4GKL/3ARR3J2S54	
Relay	117-7027	SC-RELAY	
Suc & Amb temp sensor	084N0003	Sensor, AKS11	
Suction pressure sensor	118U4025	AKS 32R -1...12 bar	
Starting KIT	118U5191	CAJ2446Z _ F1 KIT Capacitor and relay	
Starting KIT	118U5192	CAJ2464Z _ F1 KIT Capacitor and relay	
Starting KIT	118U5193	CAJ4492Y _ F1 KIT Capacitor and relay	
Starting KIT	118U5194	CAJ4511Y _ F1KIT Capacitor and relay	
Starting KIT	118U5195	CAJ4517Z _ F1 KIT Capacitor and relay	
Starting KIT	118U5196	CAJ4519Z _ F1 KIT Capacitor and relay	
Starting KIT	118U5197	CAJ9510Z _ F1 KIT Capacitor and relay	
Starting KIT	118U5198	CAJ9513Z _ F1KIT Capacitor and relay	
Starting KIT	118U5199	FH2511Z _ F1KIT Capacitor and relay	
Start capacitor	123B9316	STARTING CAPACITOR+CC 72-88µF/330V R216	
Run C capacitor	123B9219	RUN CAPACITOR 16µF/420V, REF. 321	
Relay	123B9151	RELAY + CON. BOARD 1158-8 BDG 158S+ NTC	
Start capacitor	123B9315	STARTING CAPACITOR+CC 64-77µF/330V R205	
Run C capacitor	123B9222	RUN CAPACITOR 10µF/420V, REF. 326	
Relay	123B9133	RELAY + CON. BOARD 1149-8 BDG 149S+ NTC	
Start capacitor	117U5373	START CAPACITOR 80 mfd	
Relay	123B9139	RELAY + CON. BOARD 1166-8 BDG 166S+ NTC	
Run C capacitor	123B9226	RUN CAPACITOR 25µF/420V, REF. 310 MET.	
Top Panel H1	118U5121	SPARE PART, SHEET METAL TOP H1	
Fan panel H1	118U5122	SPARE PART, SHEET METAL FAN H1	
Back Panel H1	118U5123	SPARE PART, SHEET METAL BACK H1	
Front Panel H1	118U5124	SPARE PART, SHEET METAL FRONT H1	
Front Panel H1	118U5283	SPARE PART, FRONT DOOR H1 (A2L)	
Access Panel H1	118U5125	SPARE PART, SHEET METAL ACCESS H1	
Access Panel H1	118U5284	SPARE PART, SERVICE DOOR H1 (A2L)	
Left Side Panel H1	118U5163	SPARE PART, SHEET METAL LEFT SIDE H1	

Component type	Component code	Component description	Additional informations
Top Panel H2	118U5126	SPARE PART, SHEET METAL TOP H2	
Fan panel H2	118U5127	SPARE PART, SHEET METAL FAN H2	
Back Panel H2	118U5128	SPARE PART, SHEET METAL BACK H2	
Front Panel H2	118U5129	SPARE PART, SHEET METAL FRONT H2	
Front Panel H2	118U5285	SPARE PART, FRONT DOOR H2 (A2L)	
Access Panel H2	118U5130	SPARE PART, SHEET METAL ACCESS H2	
Access Panel H2	118U5286	SPARE PART, SERVICE DOOR H2 (A2L)	
Left Side Panel H2	118U5164	SPARE PART, SHEET METAL LEFT SIDE H2	
Top Panel H3	118U5131	SPARE PART, SHEET METAL TOP H3	
Fan panel H3	118U5132	SPARE PART, SHEET METAL FAN H3	
Back Panel H3	118U5133	SPARE PART, SHEET METAL BACK H3	
Front Panel H3	118U5134	SPARE PART, SHEET METAL FRONT H3	
Access Panel H3	118U5135	SPARE PART, SHEET METAL ACCESS H3	
Left Side Panel H3	118U5165	SPARE PART, SHEET METAL LEFT SIDE H3	
Top Panel H4	118U5136	SPARE PART, SHEET METAL TOP H4	
Fan LH panel H4	118U5137	SPARE PART, SHEET METAL FAN LH H4	
Fan RH panel H4	118U5138	SPARE PART, SHEET METAL FAN RH H4	
Back Panel H4	118U5139	SPARE PART, SHEET METAL BACK H4	
Access Panel H4	118U5140	SPARE PART, SHEET METAL ACCESS H4	
Left Side Panel H4	118U5166	SPARE PART, SHEET METAL LEFT SIDE H4	





- A Ø12 Hole for Mounting
- B Sight Glass
- C Controller Display

- D Air in
- E Air out
- F Suction Port

- G Liquid Port
 - ⚠ Electrical Cables
- Note: all dimension are in mm



For electrical wiring diagrams refer to installation guide AN18658643414603-xxxxxx

Optyma™ Plus INVERTER

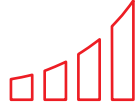
Capacity modulation in a simple and adaptive package

Combines our market-leading expertise in condensing unit design with the unique benefits of stepless inverter scroll technology. The result is energy consumption reduced by up to 30% with better food preservation.



Quick and safe installation and service

Preset parameters and Modbus communication makes start-up and maintenance of the condensing unit effortlessly quick and easy.



High SEPR*: 3.84 – certified by ASERCOM

All models in the range are highly efficient and well above EcoDesign 2018 thresholds, contributing to a reduction in energy costs. *SEPR: Seasonal Energy Performance Ratio.



Accurate temperature control

Accurate temperature control and low in-rush current result in a more stable storage temperature and longer product shelf life.



Extended capacity

Stepless compressor modulation - able to slow down and speed up from 30 to 100 RPS to save energy and match load fluctuations very accurately. The inverter drive incorporates smart logic to increase reliability during operation.



Designed for ultimate efficiency

Stepless capacity modulation

From 30 to 100 rps modulation leads to 20-30% higher energy efficiency compared to fixed-speed condensing units.

Simple commissioning

Preset drive parameters with dedicated refrigeration software.

Future-proof

Working with lower GWP refrigerants such as R448A and R449. Also compatible with R407A/F and R404A.



Danfoss compressor and drive package

Dedicated to refrigeration with years of market application and validation.

Simple plug-and-play installation

Safe, simple and hassle-free installation with tried-and-tested components.

Full intelligent control through the Optyma™ Plus Controller

Control, alarm management, day & night operation, can connect to ADAP-KOOL® software, etc.

Model	Code	Version	Compressor	Electrical code (1)	Compressor speed, rps	T _{amb} [°C]	Cooling capacity Q [kW] (2)					EcoDesign (3)		Sound power level dB(A)	Sound pressure level 10 m dB(A)
							Evaporating Temperature (Mid point) [°C]					COP	SEPR		
							-15 °C	-10 °C	-5 °C	0 °C	5 °C				
OP-MPPM028VVV	114X4302	P01	VLZ028TGA	E	30	27	1.61	2.01	2.49	3.03	-	-	-	72	41
						32	1.52	1.90	2.35	2.87	-				
						38	-	-	-	-	-				
						43	-	-	-	-	-				
					50	27	2.74	3.39	4.16	5.02	-	-	-	73	41
						32	2.58	3.20	3.93	4.75	-				
						38	-	2.96	3.65	4.42	-				
						43	-	2.75	3.40	4.13	-				
					75	27	4.01	4.94	6.04	7.27	-	-	-	73	42
						32	3.78	4.66	5.70	6.87	-				
						38	-	4.32	5.29	6.38	-				
						43	-	4.02	4.93	5.96	-				
					100	27	5.14	6.30	7.68	9.24	-	-	3.75	74	43
						32	4.85	5.95	7.26	8.73	-				
						38	-	5.53	6.74	8.11	-				
						43	-	5.16	6.31	7.59	-				
OP-MPPM035VVV	114X4316	P01	VLZ035TGA	E	30	27	2.02	2.52	3.11	3.79	-	-	-	72	41
						32	1.90	2.37	2.94	3.58	-				
						38	-	-	-	-	-				
						43	-	-	-	-	-				
					50	27	3.40	4.20	5.14	6.19	-	-	-	72	41
						32	3.19	3.96	4.85	5.85	-				
						38	-	3.65	4.49	5.42	-				
						43	-	3.38	4.18	5.06	-				
					75	27	4.95	6.09	7.42	8.90	-	-	-	74	43
						32	4.66	5.73	6.99	8.40	-				
						38	-	5.30	6.47	7.78	-				
						43	-	4.923	6.02	7.25	-				
					100	27	6.34	7.76	9.43	11.31	-	-	3.63	74	43
						32	5.98	7.32	8.90	10.67	-				
						38	-	6.79	8.25	9.90	-				
						43	-	6.34	7.71	9.25	-				
OP-MPPM044VVV	114X4334	P01	VLZ044TGA	E	30	27	2.60	3.23	3.97	4.80	-	-	-	72	41
						32	2.44	3.04	3.75	4.54	-				
						38	-	-	-	-	-				
						43	-	-	-	-	-				
					50	27	4.27	5.27	6.44	7.74	-	-	-	74	43
						32	4.01	4.96	6.07	7.30	-				
						38	-	4.57	5.61	6.77	-				
						43	-	4.24	5.22	6.31	-				
					75	27	6.22	7.62	9.25	11.04	-	-	-	74	43
						32	5.83	7.16	8.70	10.40	-				
						38	-	6.59	8.03	9.61	-				
						43	-	6.10	7.45	8.94	-				
					100	27	7.99	9.75	11.76	13.95	-	-	4.12	74	43
						32	7.46	9.13	11.05	13.12	-				
						38	-	8.36	10.14	12.08	-				
						43	-	7.68	9.35	11.18	-				

MBP

(1) E - Compressor 400V/3~/50Hz, fan 230V/1~/50Hz

(2) Nominal conditions (EN13215), Evaporating temperatures at Mid point, Superheat 10K, Subcooling 0K

(3) Rated conditions (EN13215), Evaporating temperature (Mid point) -10°C, Ambient air temperature +32°C, Return Gas Temperature 20°C, Subcooling 0K

SEPR, Seasonal Energy Performance Ratio

Q [kW], Cooling Capacity

P [kW], Power Input



For regular updates and detailed capacities, please refer to **Coolselector®2** software

Model	Code	Version	Compressor	Electrical code (1)	Compressor speed, rps	Tamb [°C]	Cooling capacity Q [kW] (2)					EcoDesign (3)		Sound power level dB(A)	Sound pressure level 10 m dB(A)
							Evaporating Temperature (Mid point) [°C]					COP	SEPR		
							-15 °C	-10 °C	-5 °C	0 °C	5 °C				
OP-MPPM028VVV	114X4302	P01	VLZ028TGA	E	30	27	1.61	2.00	2.46	2.99	-	-	-	72	41
						32	1.49	1.87	2.30	2.80	-				
						38	-	-	-	-	-				
						43	-	-	-	-	-				
					50	27	2.72	3.36	4.11	4.96	-	-	-	72	41
						32	2.52	3.13	3.83	4.63	-				
						38	-	2.84	3.49	4.23	-				
						43	-	2.60	3.19	3.88	-				
					75	27	4.03	4.96	6.02	7.24	-	-	-	73	42
						32	3.74	4.61	5.61	6.76	-				
						38	-	4.19	5.11	6.16	-				
						43	-	3.82	4.68	5.65	-				
100	27	5.25	6.44	7.79	9.32	-	-	3.56	74	43					
	32	4.88	6.00	7.27	8.70	-									
	38	-	5.44	6.61	7.92	-									
	43	-	4.96	6.03	7.25	-									
OP-MPPM035VVV	114X4316	P01	VLZ035TGA	E	30	27	2.04	2.53	3.11	3.76	-	-	-	72	41
						32	1.89	2.36	2.89	3.52	-				
						38	-	-	-	-	-				
						43	-	-	-	-	-				
					50	27	3.43	4.22	5.14	6.20	-	-	-	72	41
						32	3.18	3.93	4.79	5.78	-				
						38	-	3.56	4.35	5.25	-				
						43	-	3.24	3.97	4.80	-				
					75	27	5.01	6.14	7.44	8.93	-	-	-	74	43
						32	4.65	5.71	6.93	8.31	-				
						38	-	5.17	6.28	7.55	-				
						43	-	4.71	5.73	6.90	-				
100	27	6.42	7.85	9.48	11.34	-	-	3.87	74	43					
	32	5.96	7.29	8.82	10.55	-									
	38	-	6.60	7.99	9.57	-									
	43	-	6.00	7.27	8.72	-									
OP-MPPM044VVV	114X4334	P01	VLZ044TGA	E	30	27	2.64	3.26	3.98	4.80	-	-	-	72	41
						32	2.44	3.03	3.71	4.48	-				
						38	-	-	-	-	-				
						43	-	-	-	-	-				
					50	27	4.36	5.34	6.47	7.75	-	-	-	74	43
						32	4.04	4.97	6.03	7.24	-				
						38	-	4.51	5.49	6.60	-				
						43	-	4.10	5.01	6.04	-				
					75	27	6.32	7.72	9.31	11.10	-	-	-	74	43
						32	5.87	7.18	8.67	10.34	-				
						38	-	6.50	7.87	9.40	-				
						43	-	5.91	7.17	8.59	-				
100	27	8.09	9.86	11.85	14.06	-	-	3.89	74	43					
	32	7.49	9.14	11.00	13.06	-									
	38	-	8.23	9.93	11.82	-									
	43	-	7.45	9.01	10.75	-									

MBP

(1) E - Compressor 400V/3~/50Hz, fan 230V/1~/50Hz

(2) Nominal conditions (EN13215), Evaporating temperatures at Mid point, Superheat 10K, Subcooling 0K

(3) Rated conditions (EN13215), Evaporating temperature (Mid point) -10°C, Ambient air temperature +32°C, Return Gas Temperature 20°C, Subcooling 0K

SEPR, Seasonal Energy Performance Ratio

Q [kW], Cooling Capacity

P [kW], Power Input



For regular updates and detailed capacities, please refer to **Coolselector®2** software

Optyma™ Plus INVERTER - Technical data

Application	Code number	Model number	Compressor Model	Electrical Code (1)	Refrigerant (2)	Condenser Coil			Fan		Receiver	Dimensions			Connection		Weight		
						Type	Airflow	Internal Volume	Number	Blade ø	Volume	Housing	Height	Width	Length	Suction valve	Liquid valve	Gross	Net
	P01	(m³/h)	(dm³)	(mm)	(L)	mm	mm	mm	inch	inch	inch	inch	Kg	Kg					
MBP	114X4302	OP-MPPM028VVLP01E	VLZ028TGA	E	P	G7	5200	1.62	1	500	6.2	H3	965	1406	481	3/4"	5/8"	150	124
MBP	114X4316	OP-MPPM035VVLP01E	VLZ035TGA	E	P	G7	5200	1.62	1	500	6.2	H3	965	1406	481	3/4"	5/8"	151	125
MBP	114X4334	OP-MPPM044VVLP01E	VLZ044TGA	E	P	G7	5200	1.62	1	500	6.2	H3	965	1406	481	3/4"	5/8"	151	125

(1) E - Compressor 400V/3~/50Hz, fan 230V/1~/50Hz
 (2) P - R448A, R449A, R407A, R407F, R404A

Optyma™ Plus INVERTER - Spare parts & accessories - MBP

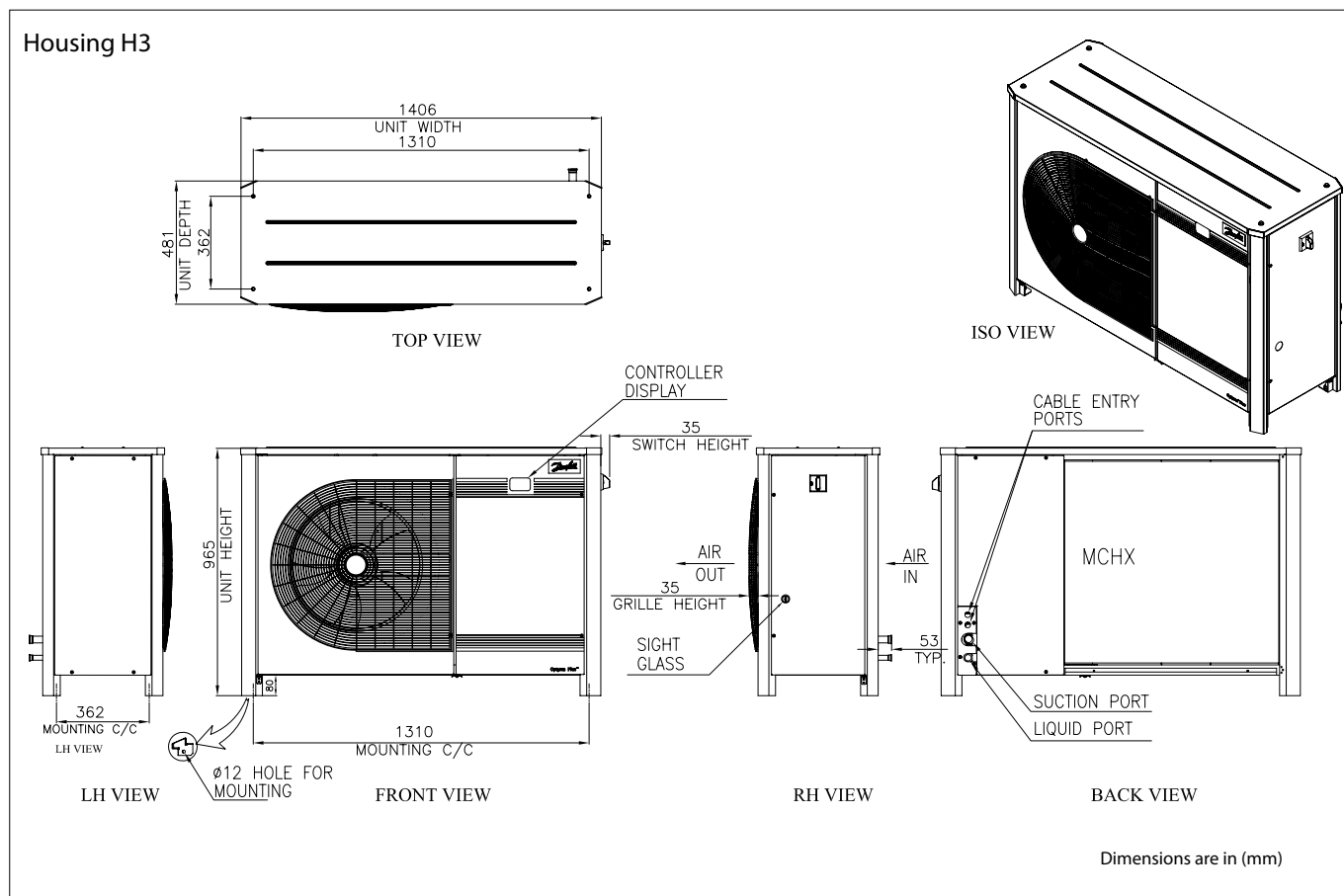
Designation	OP-MPPM028	OP-MPPM035	OP-MPPM044
Code Number	114X4302	114X4316	114X4334
Compressor Description	VLZ028TGA	VLZ035TGA	VLZ044TGA
Compressor oil	120Z0648	120Z0648	120Z0648
Spare Parts			
Compressor	120G0162	120G0159	120G0156
Condenser	118U5219	118U5219	118U5219
Oil separator	118U3981	118U3981	118U3982
Fan assembly	118U3829	118U3829	118U3829
Fan cowl/grill	118U3485	118U3485	118U3485
Filter	023Z5045	023Z5045	023Z5045
High-pressure switch	118U3718	118U3718	118U3718
Low-pressure switch	118U3720	118U3720	118U3720
Receiver	118U4015	118U4015	118U4015
Sight glass	014F0174	014F0174	014F0174
Suction line valve	009G7054	009G7054	009G7054
Liquid line valve	009G7053	009G7053	009G7053
Electrical Spare Parts			
Crankcase heater (Compressor)	120Z5040	120Z5040	120Z5040
Crankcase heater (Oil separator)	120Z0460	120Z0460	120Z0460
Controller	118U3465	118U3465	118U3465
Discharge temperature sensor	084N2007	084N2007	084N2007
High-pressure transmitter	118U4021	118U4021	118U4021
Low-pressure transmitter	118U4025	118U4025	118U4025
Suction and ambient temp sensor	084N0003	084N0003	084N0003
Compressor contact	118U3847	118U3847	118U3847
Door handle	118U3858	118U3858	118U3858
Main switch	118U3854	118U3854	118U3854
Compressor drive CDS803	118U3973	118U3973	118U3973
EMI filter (Drive)	118U4079	118U4079	118U4079
EMI filter (Controller)	118U3974	118U3974	118U3974
Electrical Characteristics			
MCC Compressor [A] 400V/3phase	8.1	9.8	12.0
Max cont.power consumption [kW]	3.98	4.94	6.33
Max Cont. fuse rating gG (A)	25	25	25
MCC Fan [A] 230V/1 phase	0.96	0.96	0.96
Fan power output [W]	1x130	1x130	1x130
Fan power consumption [W]	1x220	1x220	1x220
Accessories (Not Premounted)			
Acoustic hood	120Z5043	120Z5043	120Z5043
Adapter Plug (Receiver)	118U4037	118U4037	118U4037
Sheet Metal			
Top panel	118U5131	118U5131	118U5131
Fan Panel	118U5132	118U5132	118U5132
Back panel	118U5133	118U5133	118U5133
Front panel	118U5134	118U5134	118U5134
Access panel	118U5135	118U5135	118U5135
Left side panel	118U5165	118U5165	118U5165

MCC - Max Continuous Current
 *Phased out model

NOTICE For service purpose original components (spare parts) recommended by Danfoss should be used.

Component type	Component code	Component description	Additional informations
Access Panel	118U5135	SPARE PART, SHEET METAL ACCESS H3	
Acoustic hood	120Z5043	ACCOUSTIC HOOD SMALL now use (120Z5083)	
Adapter Plug	118U4037	Adapter Plug	
Back panel	118U5133	SPARE PART, SHEET METAL BACK H3	
Compressor contact	118U3847	CONT, ABB-A16-30-01-80+CA5-11	
Compressor drive CDS803	118U3973	Drive CDS803 7,5kW H OPTYMA INVERTER	
Compressor Single pack	120G0162	Compressor VLZ028TGNE9A/M	
Compressor Single pack	120G0159	Compressor VLZ035TGNE9A/M	
Compressor Single pack	120G0156	Compressor VLZ044TGNE9A/M	
Condenser	118U5219	SPare part, 9513 B3, H3, G7 MCHX	
Controller	118U3465	OPTYMA PLUS CONTROLLER-084B8080	
Crankcase heater	120Z5040	CRANKCASE HEATER, 240V 70W	
Discharge temperature sensor	084N2007	Sensor AKS 21 A 2.5m	
Door handle	118U3858	HANDLE, ABB-OHB2AJM,MSMN,OX5S131	
EMI filter (Controller)	118U3974	CONTROLLER EMC/RFI FILTER OPTYMA PLUS	
EMI filter (Drive)	118U4079	SPARE PART, EMC/RFI FILTER FN3288-16-44-C17-R65	For prior unit upto SN XXXXXCG3820, follow instruction manual to replace 118U3972 to 118U4079
Fan assembly	118U3829	FAN ASSEMBLIES, EBM, ERP2015	
Fan cowl/grill	118U3485	FAN GRILL HOUSING 3 OP PLUS	
Fan panel	118U5132	SPARE PART, SHEET METAL FAN H3	
Filter	023Z5045	Filter drier DML 165 M/12	
Front Panel	118U5134	SPARE PART, SHEET METAL FRONT H3	
High-pressure switch	118U3718	HIGH PR SWITCH ACB-2UB463W	
High-pressure transmitter	075G1036	Sensor DST P110 (0 to 32 bar SG)	For prior units upto SNXXXXXXXX0120, Use 118U4021 to replace AKS pressure transmitter to DST P110.
Left Side panel	118U5165	SPARE PART, SHEET METAL LEFT SIDE H3	
Liquid valve	009G7053	GBC 16s Ball Valve M/25	
Low-pressure switch	118U3720	LOW PR SWITCH ACB-2UA418W	
Low-pressure transmitter	075G1013	Sensor DST P110 (-1 to 12 bar SG)	For prior units upto SNXXXXXXXX0120, Use 118U4025 to replace AKS pressure transmitter to DST P110.
Main switch	118U3852	MPCB, ABB-MS116-16+HK1-12	
Main switch	118U3854	MPCB, ABB-MS132-20+HK1-12	
Oil Separator	118U3981	SEPARATEUR HUILE SO/ER-31 OPTYMA INVERT	
Oil separator	118U3982	SEPARATEUR HUILE SO/ER16101 OPTYMA INVER	
Receiver	118U4015	Receiver 6.2L, 3/8 NPT (Ods 5/8" - Dia 16.2 Rotor Lock)	
Sight glass	014F0174	Del-SGN+ 16 Sight Glass M/36	
Suction and ambient temp sensor	084N0003	Sensor AKS 11 3.5m	
Suction valve	009G7054	GBC 18s Ball Valve M/25	
Top Panel	118U5131	SPARE PART, SHEET METAL TOP H3	

OP-MPLM028-035-044, OP-MPPM028-035-044



Optyma™ Plus INVERTER - Housing spare parts



For electrical wiring diagrams refer to installation guide AN18718642524202-xxxxxx

Optyma™ iCO₂

Features and benefits

MBP - 1.5 to 4.7 kW



Danfoss GBC service valves



Night mode operation



PED class 1



Danfoss MMILDS display



Microchannel condenser



2.5 L Suction accumulator



Danfoss filter drier



Sight glass



2 X 2.5 L Receiver



Stacking up to 2 units



2 doors for servicing



Integrated controller and drive



Gas By Pass Valve



Variable speed scroll compressor: 37 Hz to 117 Hz



Main switch



Connectable to Danfoss System Managers



DC fan



Charge indication

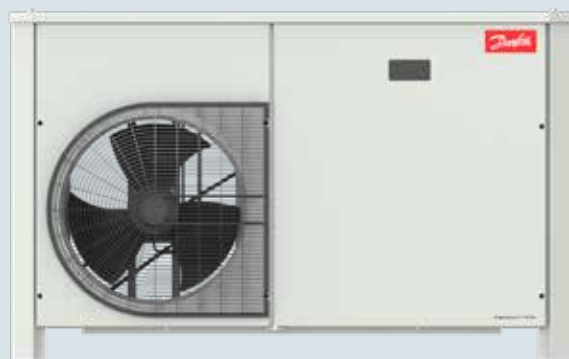


Relief valve

Remote monitoring & management and integration into DES thanks to connectivity to Danfoss System Managers

Better food preservation by continuously matching the load fluctuations with variable speed compressor and drive

Reduce operational costs as one unit can handle multiple cold rooms or e.g., 1.5 to 5 meters of display cabinets



Reduce disruption with a fast setup, commissioning and servicing (2 service doors, preset controller, remote control)

Reduce commissioning costs with a PED class 1 unit avoiding check by certified body

Reduce footprint and installation time with stack mounting units (up to 2)

Model	Code	Version	Electrical code (1)	Compressor load	Tamb [°C]	Cooling capacity Q [kW] (preliminary) (2)					EcoDesign (3)		Min Fuse rating gL/gG (A)	Sound pressure level @ 10m dB(A)
						Evaporating Temperature (Mid point) [°C]					COP	SEPR		
						-15 °C	-10 °C	-5 °C	0 °C	5 °C				
OP-MPAM005CO	114X6001	P04	G	Max speed	46	1.77	2.12	2.55	3.06	3.64	-	3.42	16A	35
					43	2.19	2.62	3.15	3.74	4.41				
					38	3.20	3.80	4.50	5.31	6.25				
					32	3.87	4.58	5.42	6.40	7.54				
					27	4.18	4.94	5.84	6.90	8.13				
				Min speed	46	0.58	0.73	0.92	1.13	1.36				
					43	0.71	0.90	1.13	1.39	1.65				
					38	0.84	1.06	1.32	1.60	1.91				
					32	1.03	1.29	1.60	1.94	2.31				
					27	1.14	1.42	1.74	2.11	2.51				

(1) G - Compressor 230V/1~/50Hz, fan 230V/1~/50Hz

(2) Nominal conditions (EN13215), Evaporating temperatures at Mid point, Superheat 10K, Subcooling 0K



For regular updates and detailed capacities, please refer to **Coolselector®2** software



Application	Code number	Model number	Compressor Model	Electrical Code (1)	Refrigerant (2)	Condenser Coil			Fan		Receiver	Dimensions			Connection		Weight		
						Type	Airflow	Internal Volume	Number	Blade ø	Volume	Housing	Height	Width	Length	Suction valve	Liquid valve	Gross	Net
							(m ² /h)												
MBP	114X6001	OP-MPAM005COP04G	Scroll	G	R744	D1	2500	0.27	1	400	2 x2.5	TBC	800	480	1290	3/8'	3/8'	136 TBC	116

Danfoss Cooling

is a worldwide manufacturer of compressors and condensing units for refrigeration and HVAC applications. With a wide range of high quality and innovative products we help your company to find the best possible energy efficient solution that respects the environment and reduces total life cycle costs.

We have 40 years of experience within the development of hermetic compressors which has brought us amongst the global leaders in our business, and positioned us as distinct variable speed technology specialists. Today we operate from engineering and manufacturing facilities spanning across three continents.



Our products can be found in a variety of applications such as rooftops, chillers, residential air conditioners, heatpumps, coldrooms, supermarkets, milk tank cooling and industrial cooling processes.

www.danfoss.com

Danfoss, BP 331, 01603 Trévoux Cedex, France | +334 74 00 28 29



Danfoss can accept no responsibility for possible errors in catalogues, brochures and other printed material. Danfoss reserves the right to alter its products without notice. This also applies to products already on order provided that such alterations can be made without subsequential changes being necessary in specifications already agreed. All trademarks in this material are property of the respective companies. Danfoss and the Danfoss logotype are trademarks of Danfoss A/S. All rights reserved.