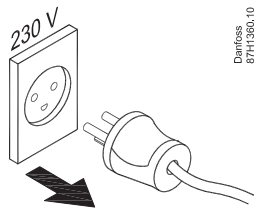
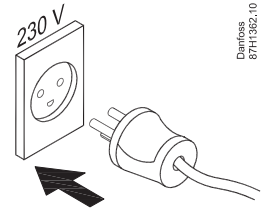
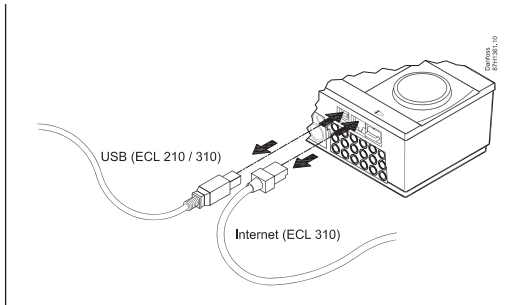


Installation Guide

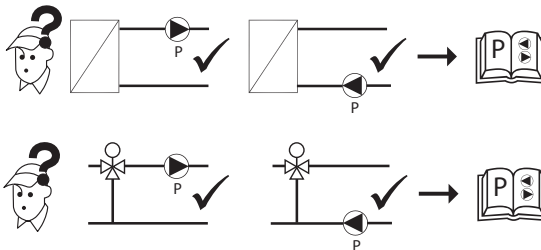
ECL Comfort 310, A315, 24 V (code no. 087H3846)



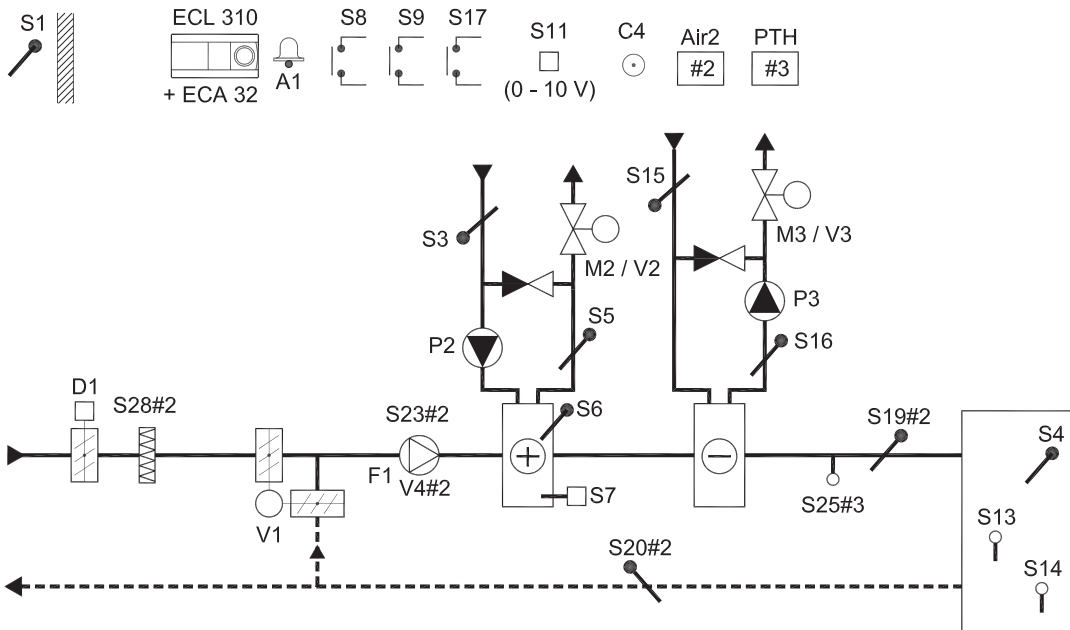
Danfoss
87H1386.10



Danfoss
87H1382.10

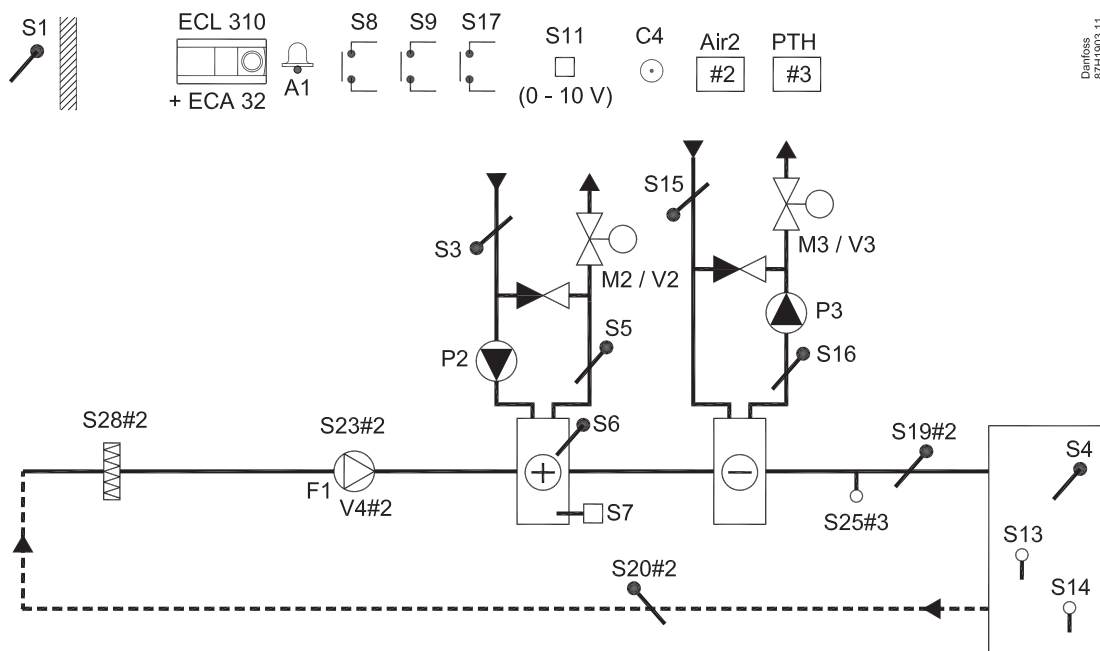


A315.1, ex. a



Danfoss
87H1392.11

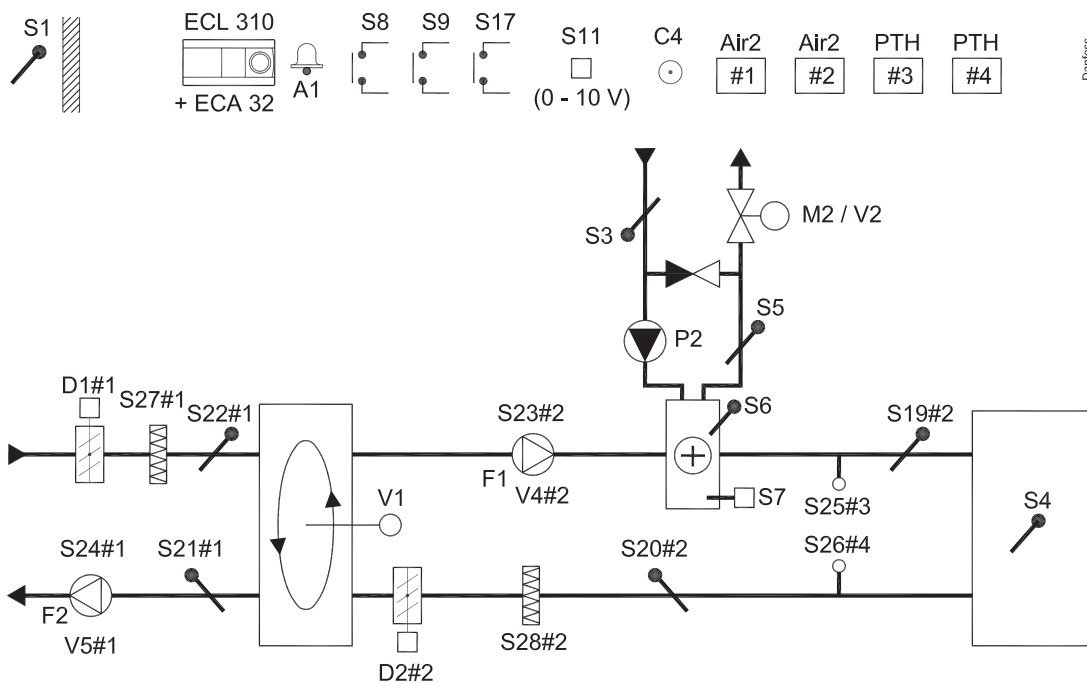
A315.1, ex. b



Danfoss
87H1903.11

A315.3, A315.4, ex. a

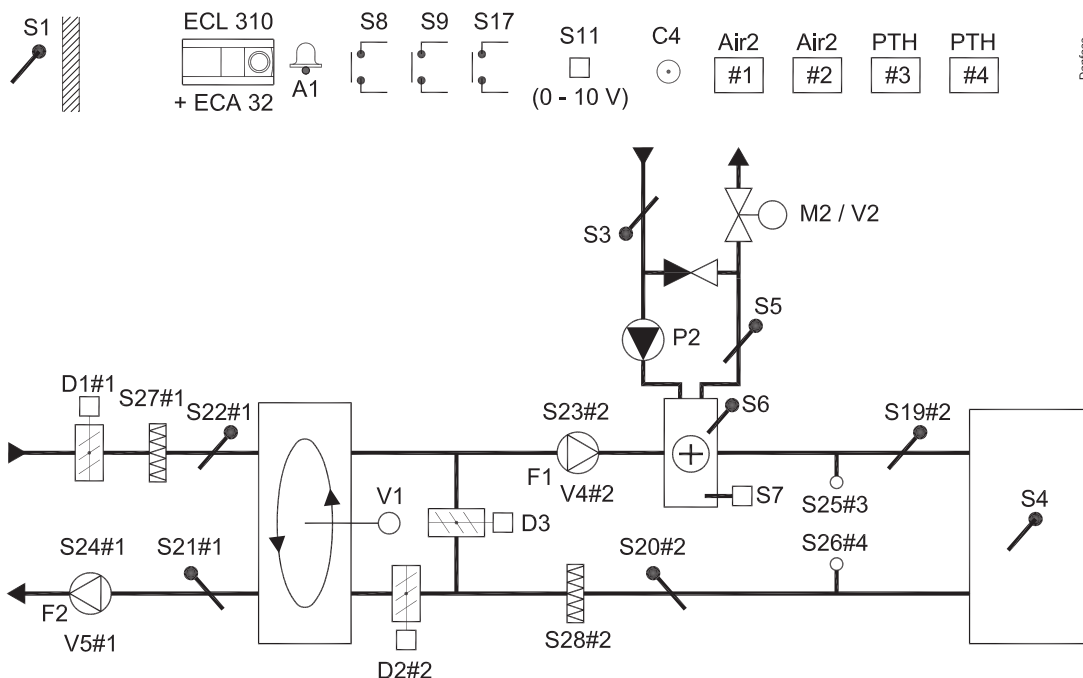
	F1 + F2
A315.3	Pa
A315.4	m ³ /h / Pa



Danfoss
87H1823.11

A315.3, A315.4, ex. b

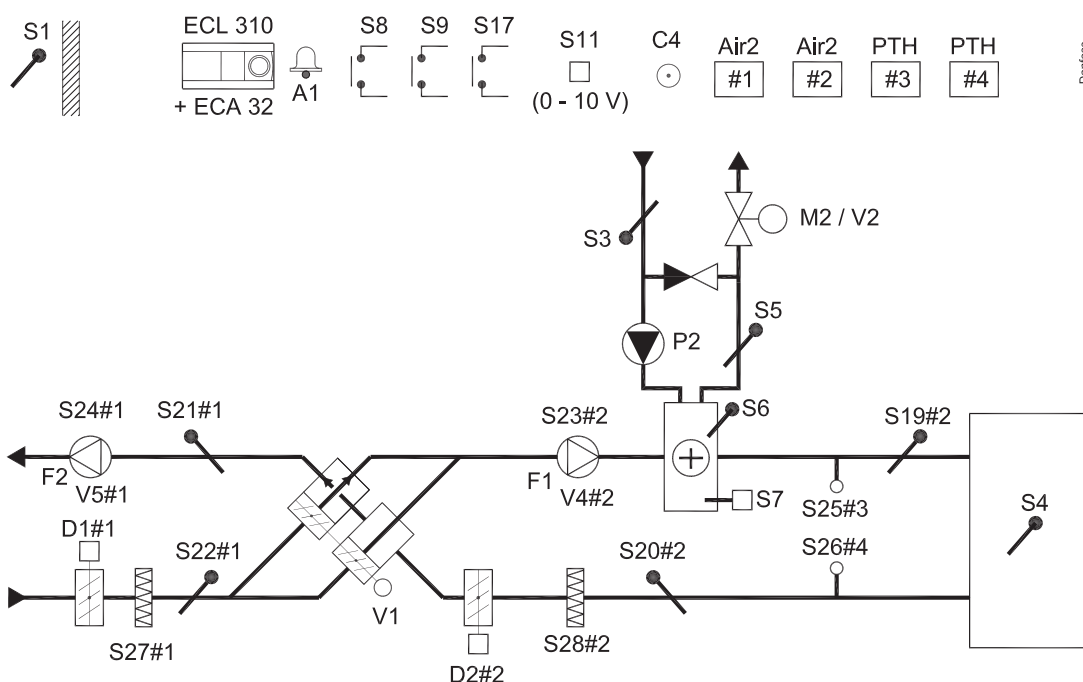
	F1 + F2
A315.3	Pa
A315.4	m ³ /h / Pa



Danfoss
87H1624,11

A315.3, A315.4, ex. c

	F1 + F2
A315.3	Pa
A315.4	m ³ /h / Pa

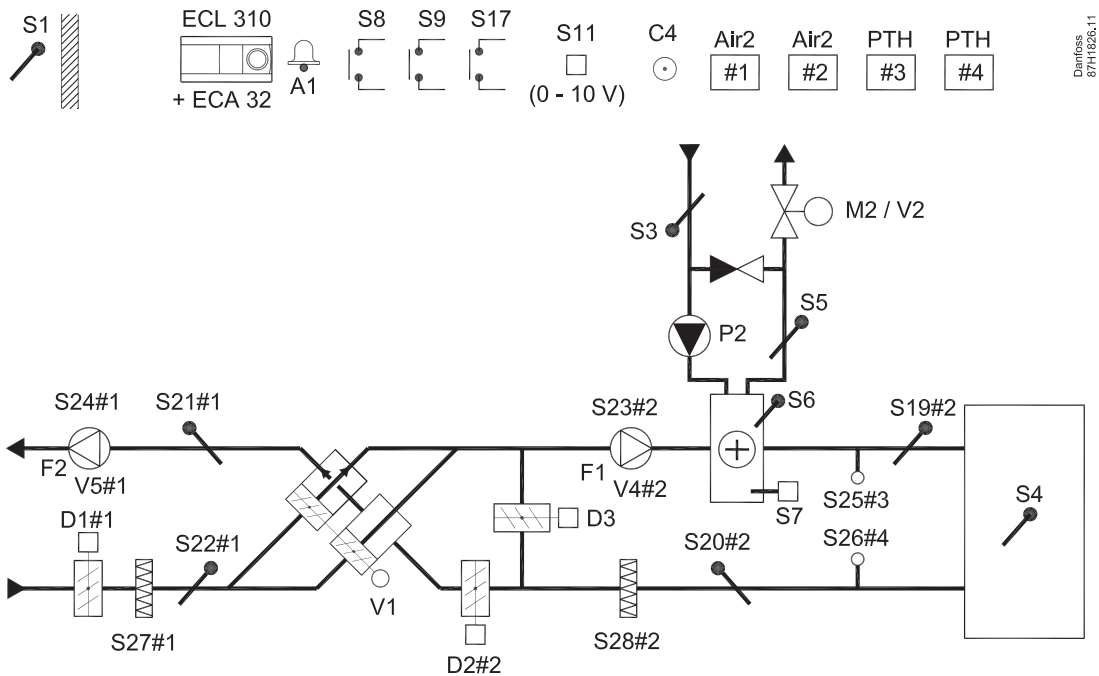


Danfoss
87H1625,11

Installation Guide, ECL Comfort 310, A315, 24 V

A315.3, A315.4, ex. d

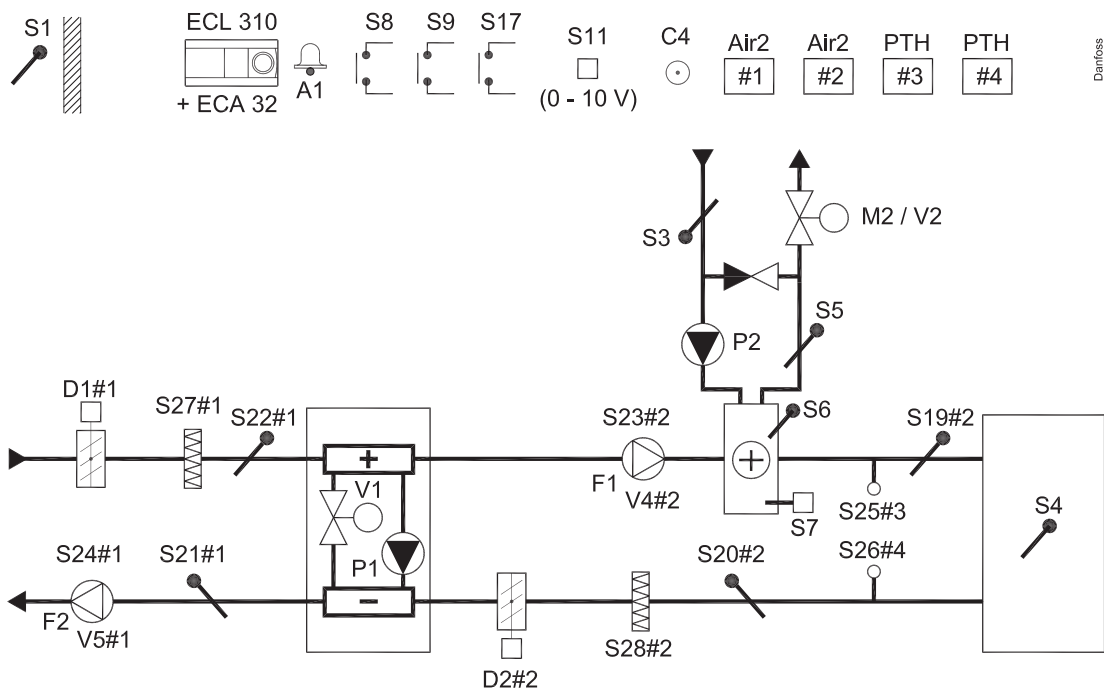
	F1 + F2
A315.3	Pa
A315.4	m ³ /h / Pa



Danfoss
87H1826.11

A315.3, A315.4, ex. e

	F1 + F2
A315.3	Pa
A315.4	m ³ /h / Pa

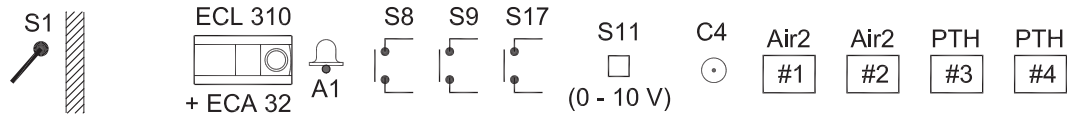


Danfoss
87H1827.11

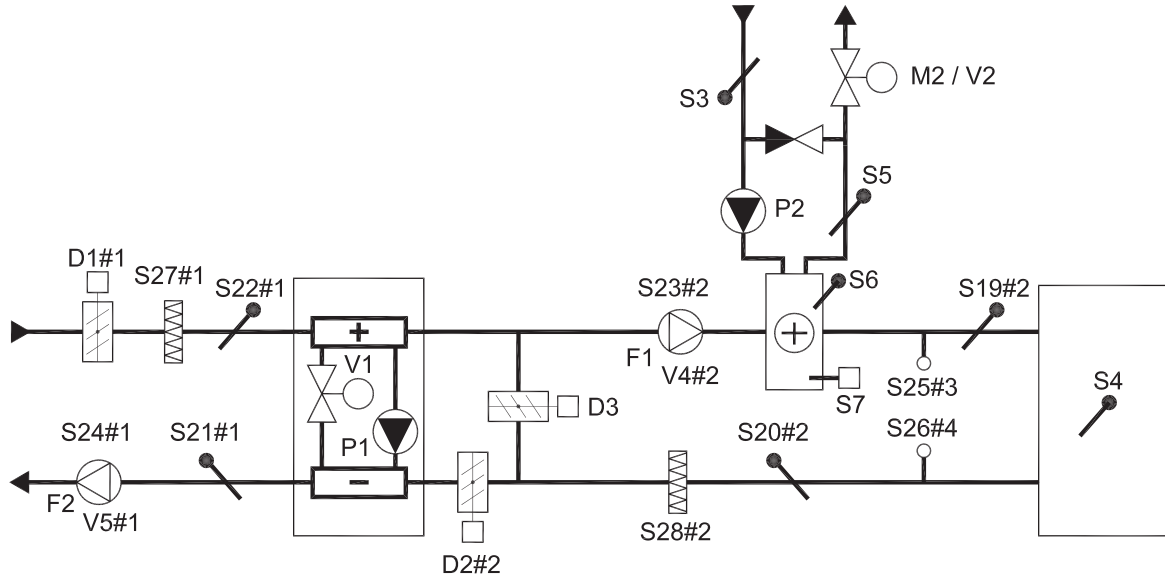
Installation Guide, ECL Comfort 310, A315, 24 V

A315.3, A315.4, ex. f

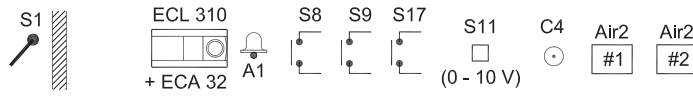
	F1 + F2
A315.3	Pa
A315.4	m ³ /h / Pa



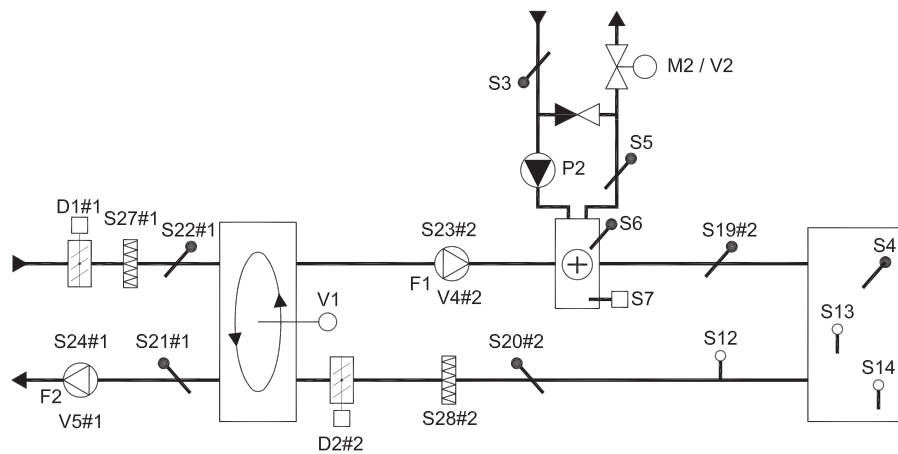
Danfoss
87H1828.11



A315.5, ex. a

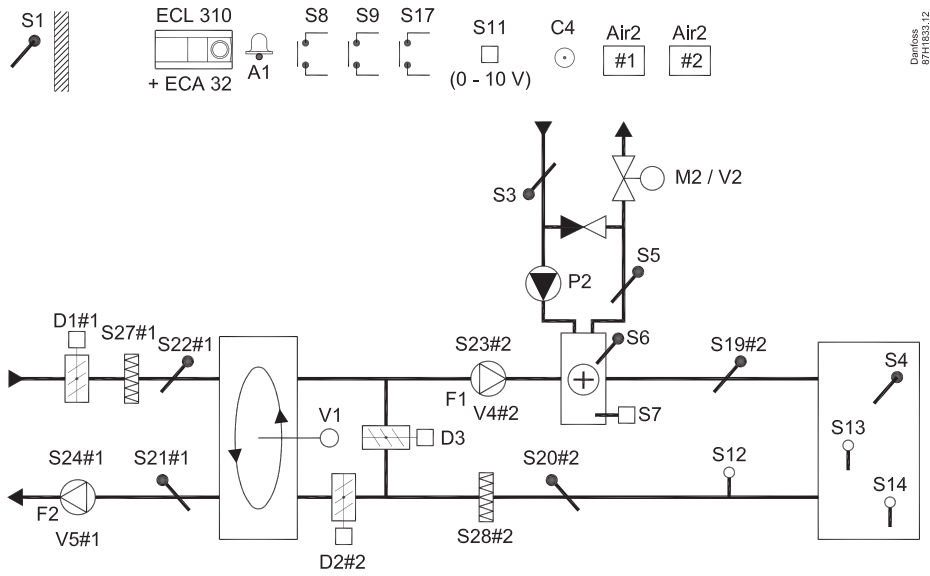


Danfoss
87H1832.12



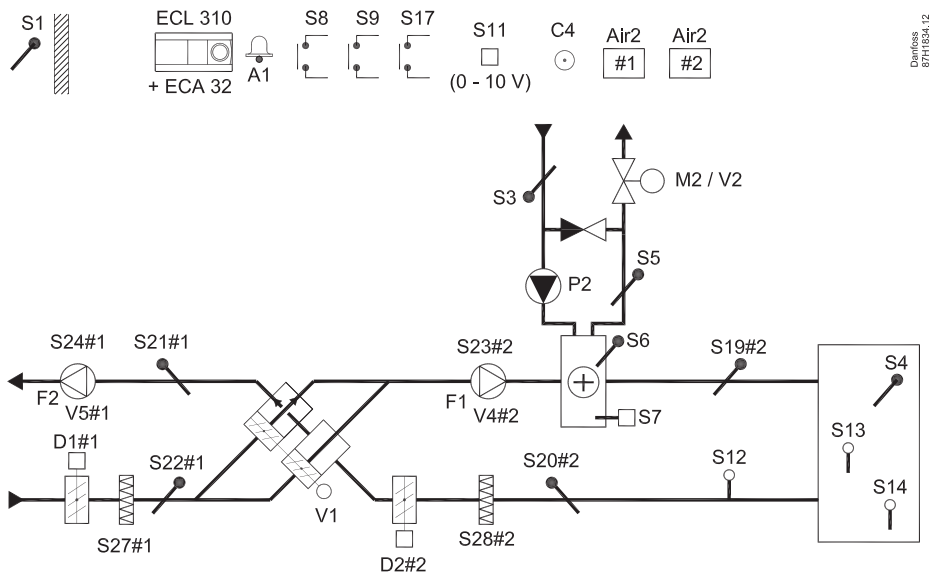
Installation Guide, ECL Comfort 310, A315, 24 V

A315.5, ex. b



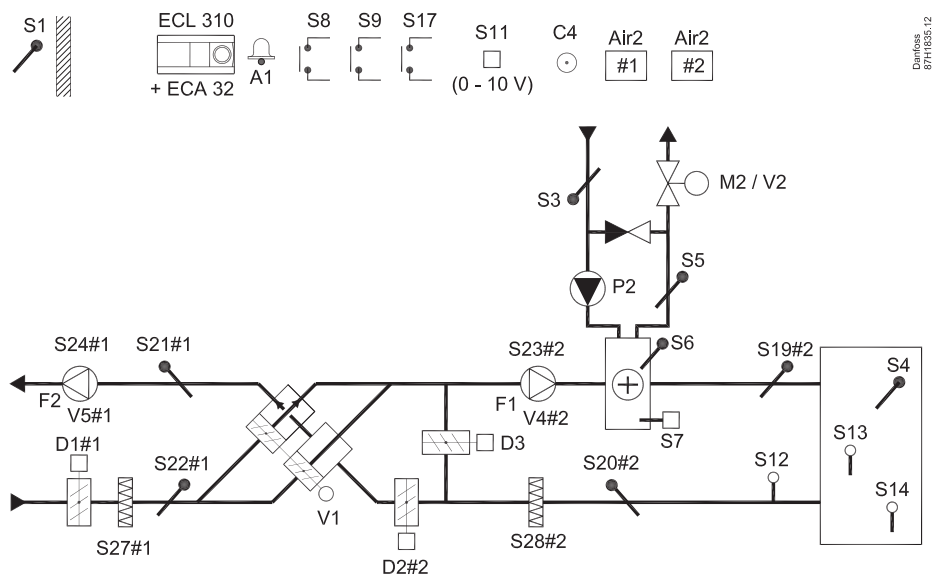
Danfoss 87H1833.12

A315.5, ex. c



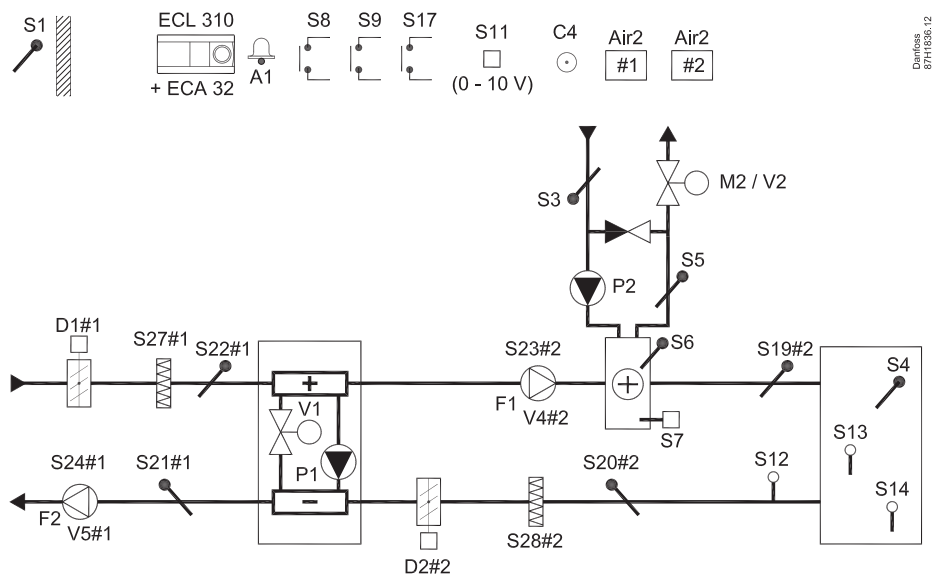
Danfoss 87H1834.12

A315.5, ex. d



Danfoss
87H1836.12

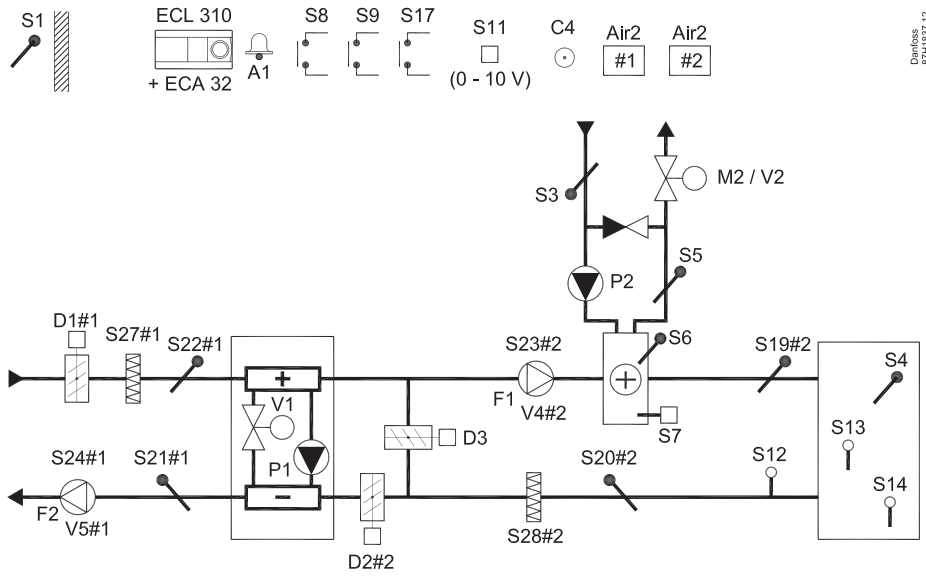
A315.5, ex. e



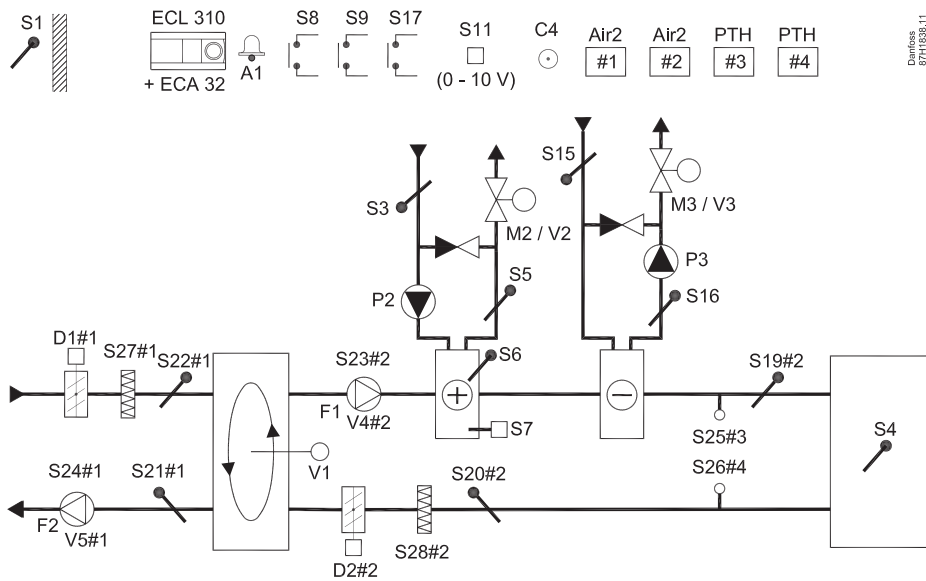
Danfoss
87H1836.12

Installation Guide, ECL Comfort 310, A315, 24 V

A315.5, ex. f

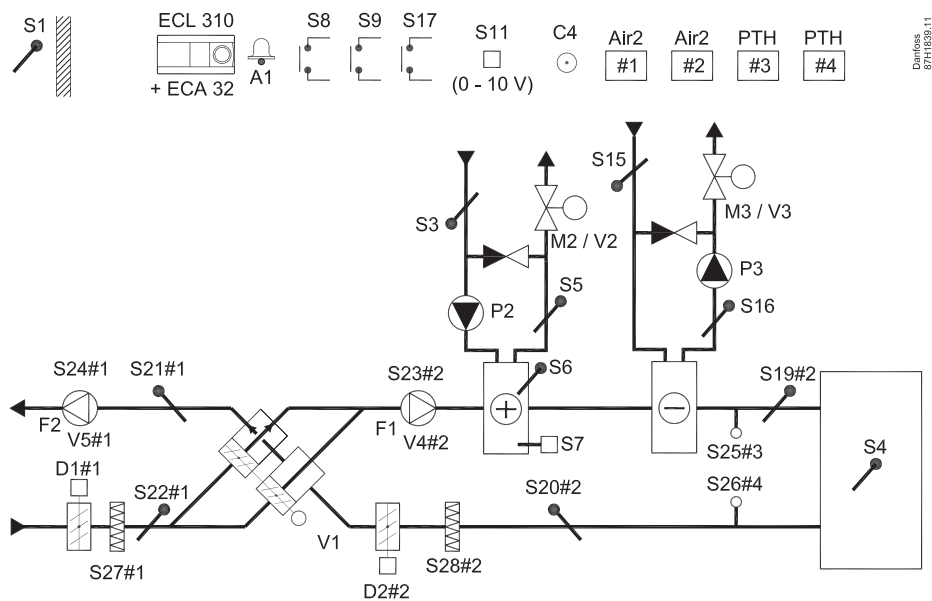


A315.6, ex. a



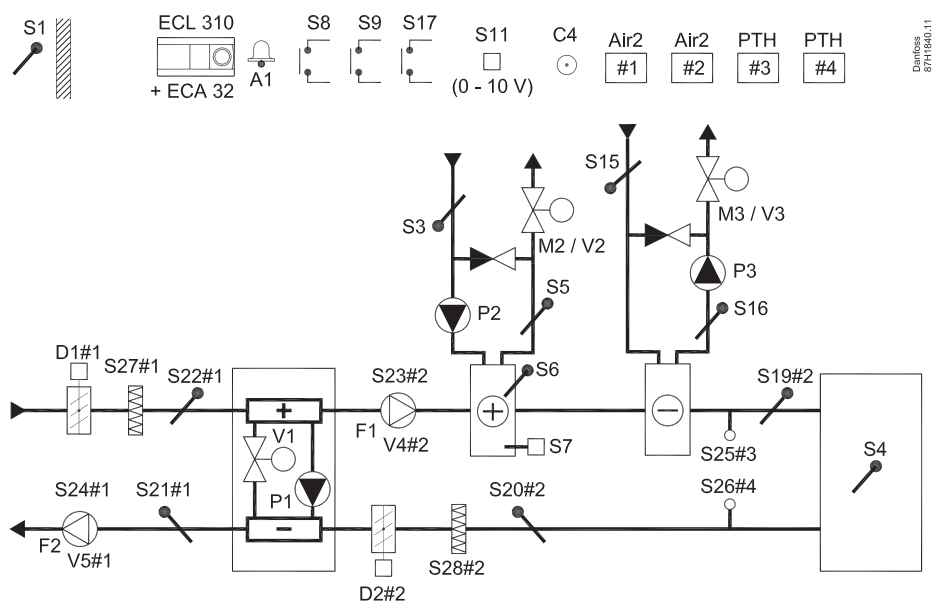
Installation Guide, ECL Comfort 310, A315, 24 V

A315.6, ex. b



Danfoss
87H1839.11

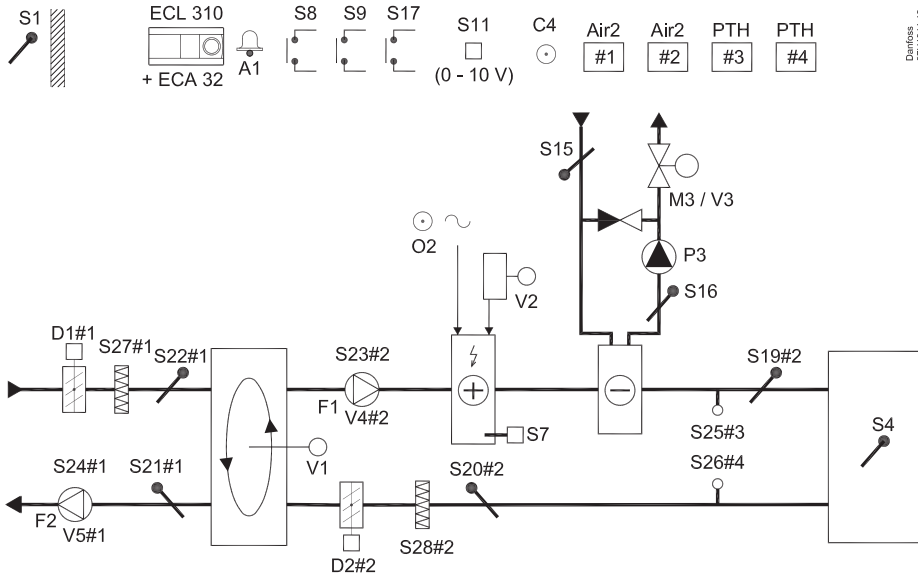
A315.6, ex. c



Danfoss
87H1839.11

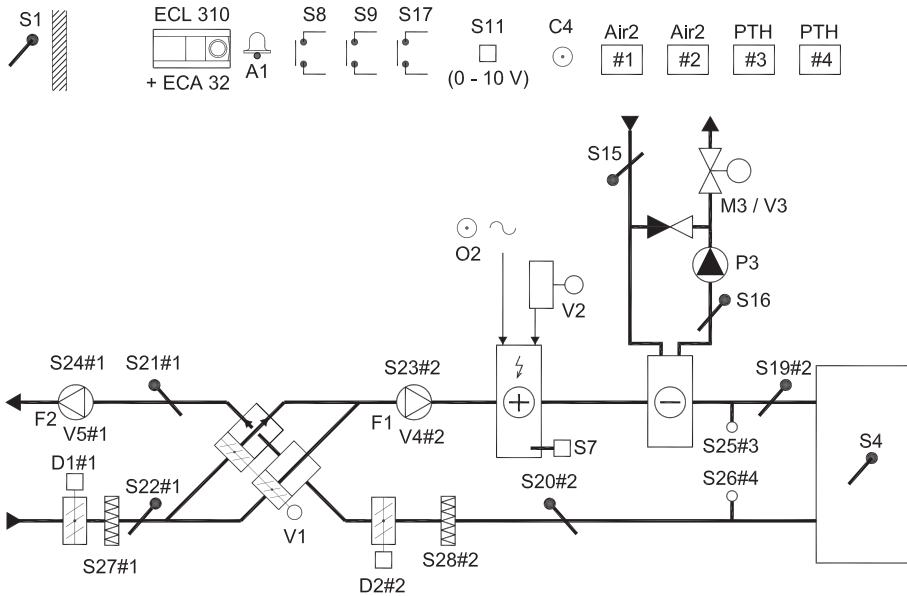
Installation Guide, ECL Comfort 310, A315, 24 V

A315.10, ex. a



Danfoss
87H184.1.2

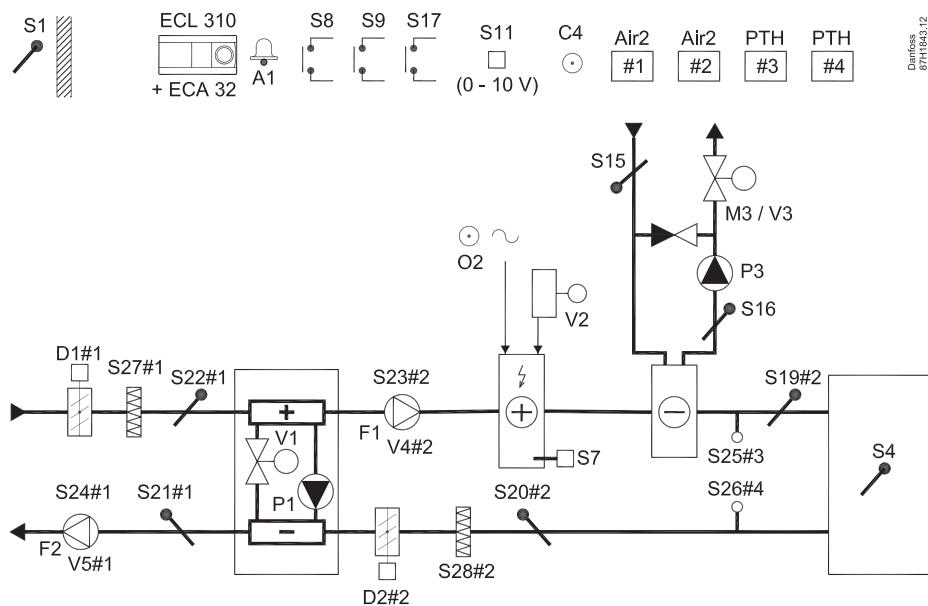
A315.10, ex. b



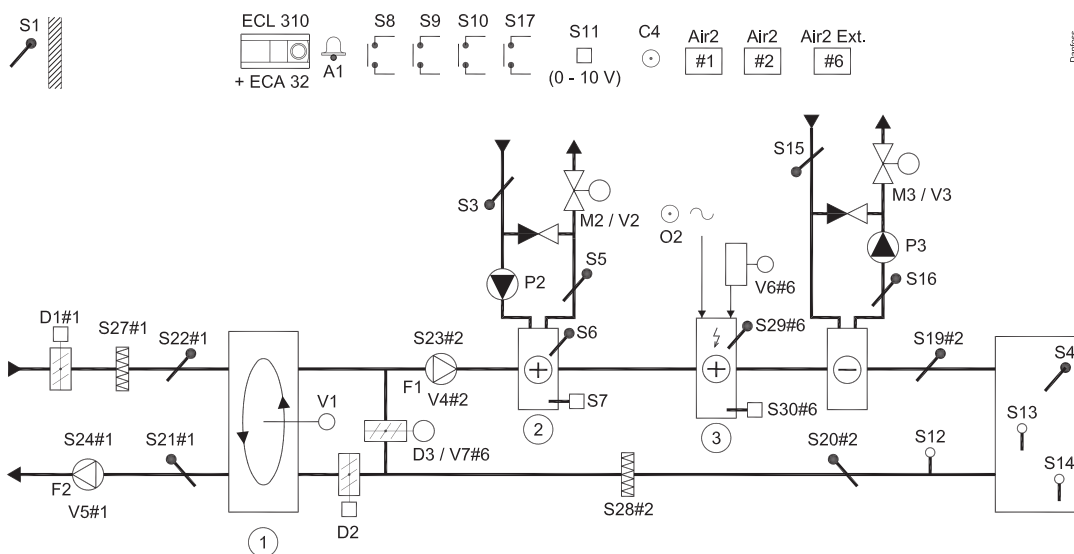
Danfoss
87H184.2.1.2

Installation Guide, ECL Comfort 310, A315, 24 V

A315.10, ex. c

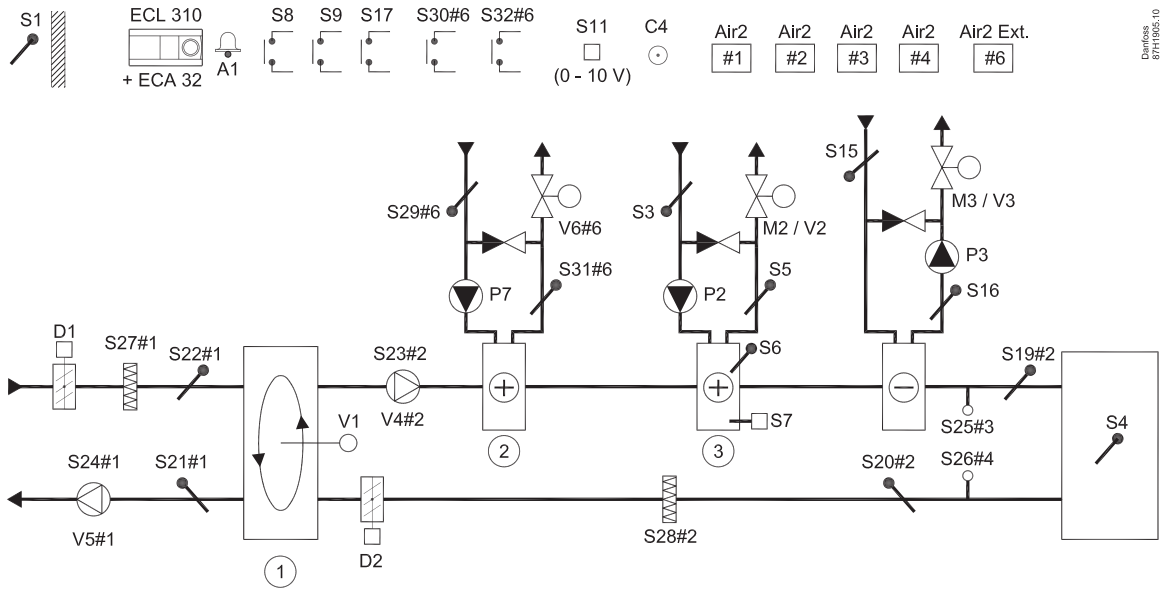


A315.11, ex. a



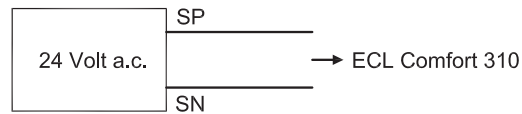
Installation Guide, ECL Comfort 310, A315, 24 V

A315.12, ex. a

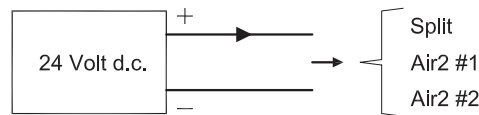


Danfoss
6711805.10

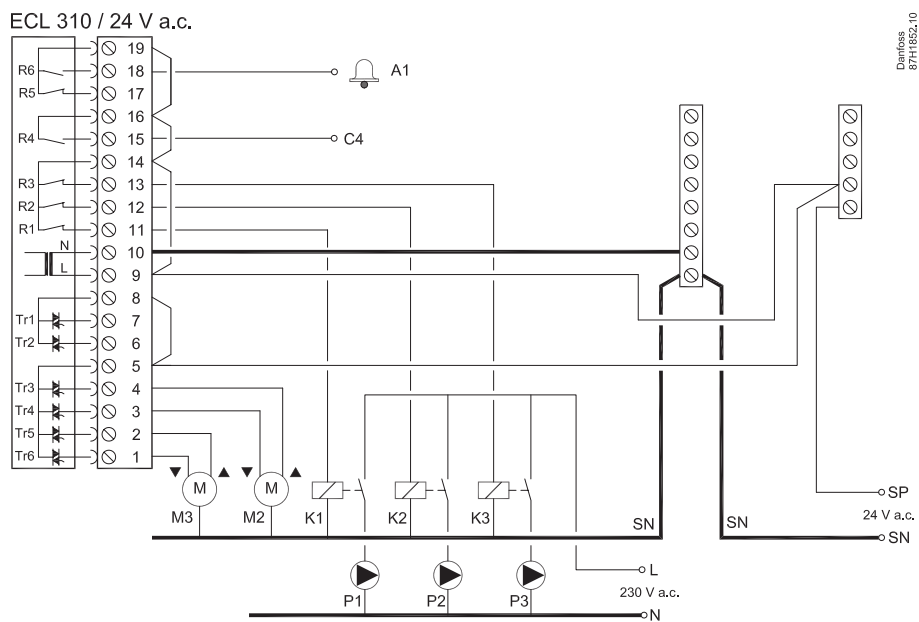
A315 24 Volt



Danfoss
6711810.11



A315 24 V a.c.



Danfoss
6711622.10

DK

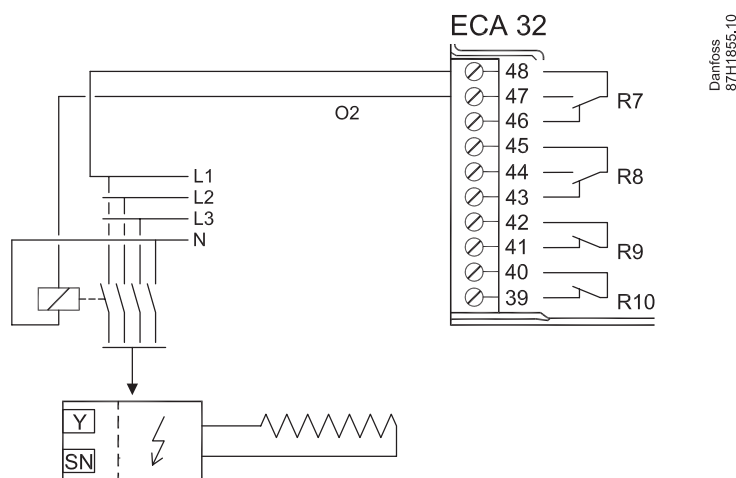


ECA 32

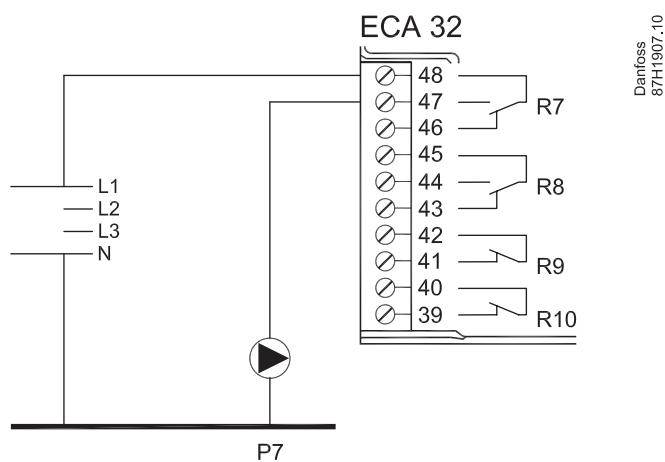
R7, R8, R9, R10

	R7	R8	R9	R10
A315.1			F1	
A315.3		D3	F1	F2
A315.4		D3	F1	F2
A315.5		D3	F1	F2
A315.6			F1	F2
A315.10	O2		F1	F2
A315.11	O2	D3	F1	F2
A315.12	P7		F1	F2

ECL 310, ECA 32
O2
A315.10, A315.11



ECL 310, ECA 32
R7
A315.12



ECL 310, 24 V a.c

	M1	M2	M3	V1	V2	V3
A315.1		x		x	x	
A315.3		x		x	x	
A315.4		x		x	x	
A315.5		x		x	x	
A315.6		x	x	x	x	x
A315.10			x	x	x	x
A315.11		x	x	x	x	x
A315.12		x	x	x	x	x

ECL 310, 24 V a.c.

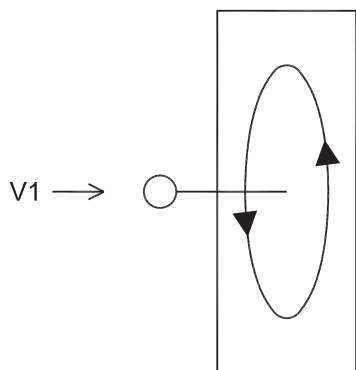
		ex. a	ex. b	ex. c	ex. d	ex. e	ex. f
A315.1	P2	x	x				
	P3	x	x				
A315.3 / A315.4 / A315.5	P1					x	x
	P2	x	x	x	x	x	x
A315.6	P1			x			
	P2	x	x	x			
	P3	x	x	x			
A315.10	P1			x			
	P2						
	P3	x	x	x			
A315.11	P2	x					
	P3	x					
A315.12	P2	x					
	P3	x					

A315.3, A315.4, A315.5, A315.6, A315.10, A315.11, A315.12



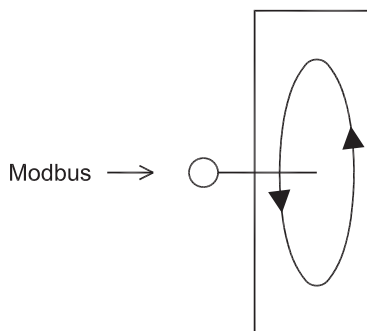
A / B ?

A:
ECL 310 + ECA 32



Danfoss
87H1866.10

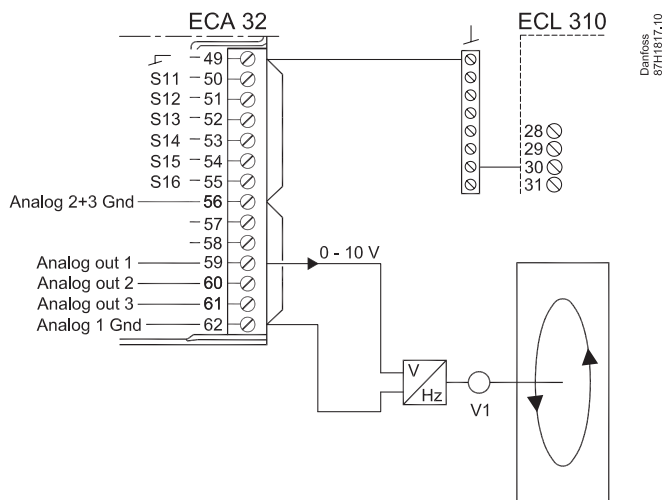
B:
ECL 310 + DHRX #5



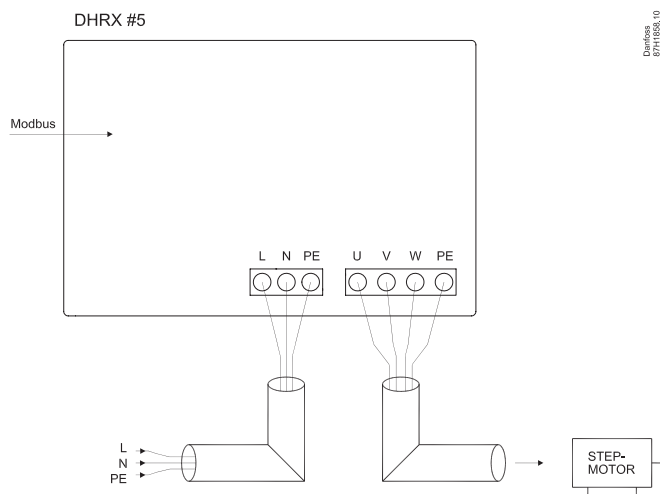
Danfoss
87H1857.10

Installation Guide, ECL Comfort 310, A315, 24 V

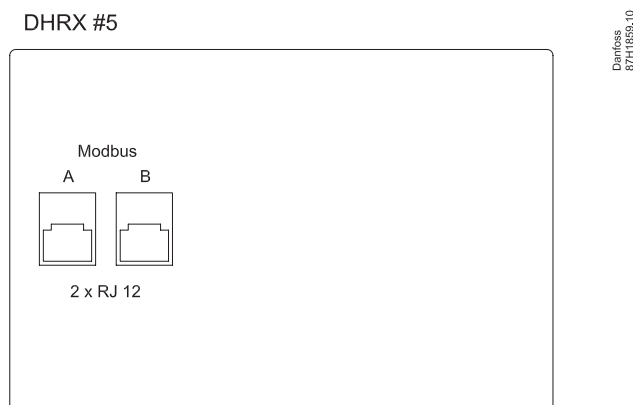
A:
ECA 32
V1
A315.3, A315.4, A315.5, A315.6, A315.10, A315.11, A315.12



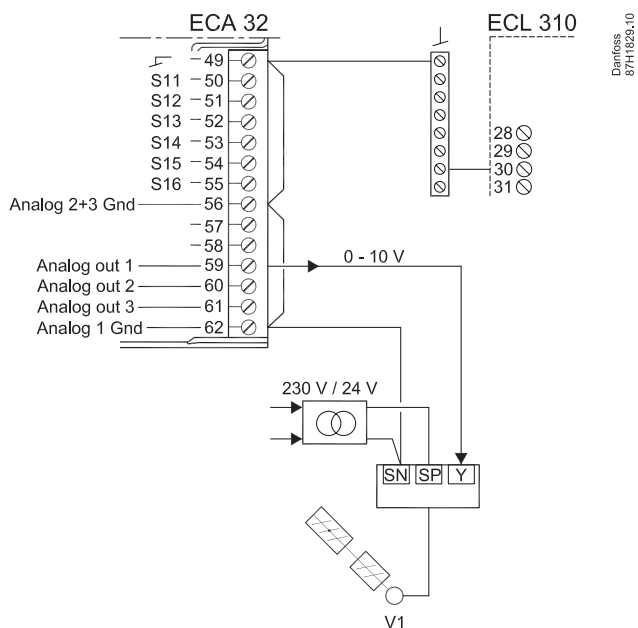
B:
DHRX #5
V1
A315.3, A315.4, A315.5, A315.6, A315.10, A315.11, A315.12



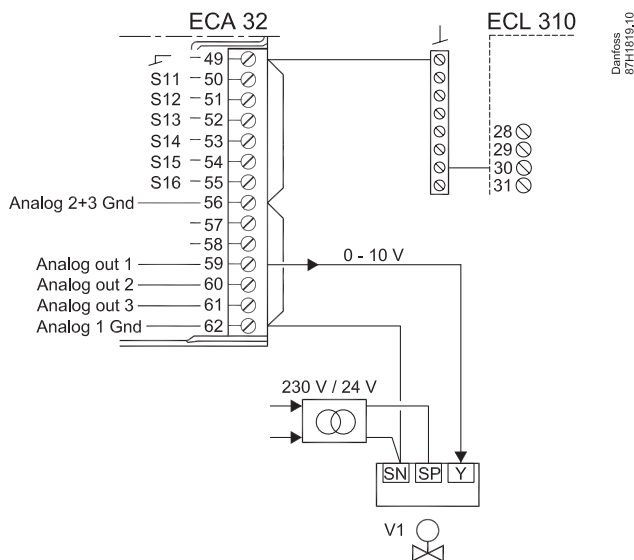
Modbus



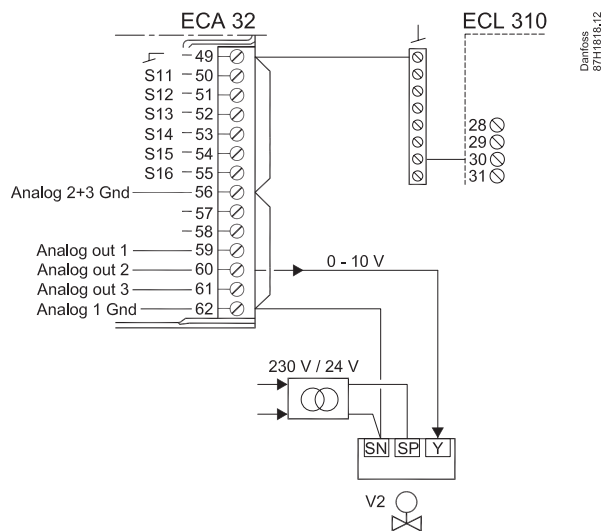
ECA 32
V1
A315



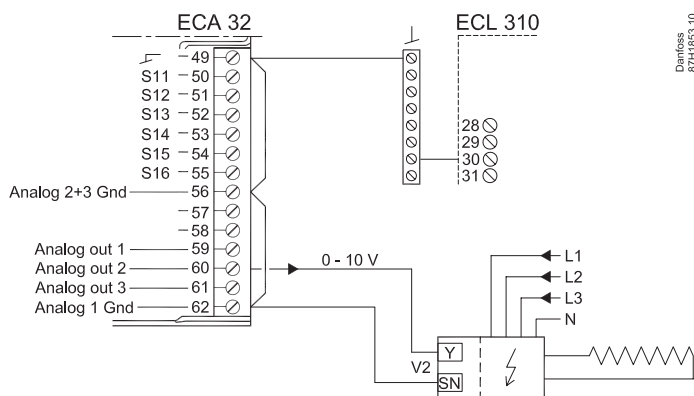
ECA 32
V1
A315



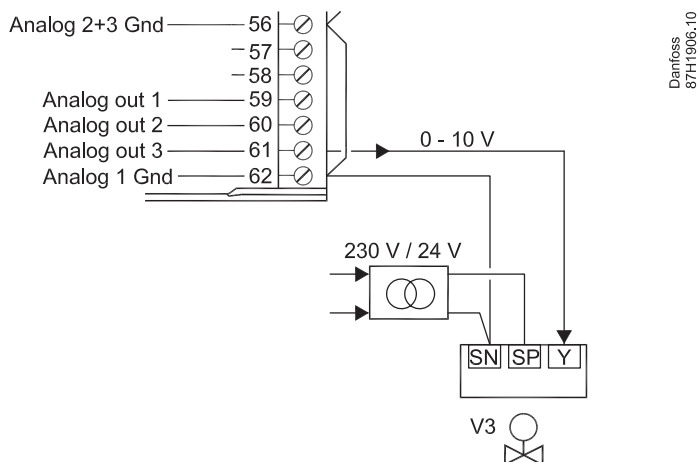
ECA 32
V2
A315.1, A315.3, A315.4, A315.5, A315.6



ECA 32
V2
A315.10, A315.11



ECA 32
V3



A315

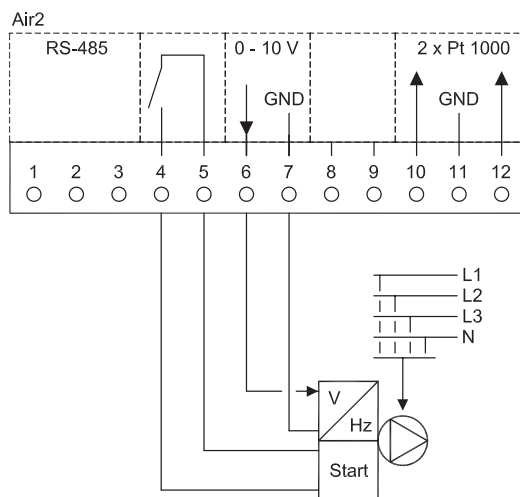
#1, #2, #3, #4, #6

	S19	S20	S21	S22	S23	S24	S25	S26
A315.1	#2			#1	#2		#3	
A315.3	#2	#2	#1	#1	#2	#1	#3	#4
A315.4	#2	#2	#1	#1	#2	#1	#3	#4
A315.5	#2	#2	#1	#1	#2	#1		
A315.6	#2	#2	#1	#1	#2	#1	#3	#4
A315.10	#2	#2	#1	#1	#2	#1	#3	#4
A315.11	#2	#2	#1	#1	#2	#1		
A315.12	#2	#2	#1	#1	#2	#1	#3	#4

	S27	S28	S29	S30	S31	S32
A315.1		#2				
A315.3	#1	#2				
A315.4	#1	#2				
A315.5	#1	#2				
A315.6	#1	#2				
A315.10	#1	#2				
A315.11	#1	#2	#6	#6		
A315.12	#1	#2	#6	#6	#6	#6

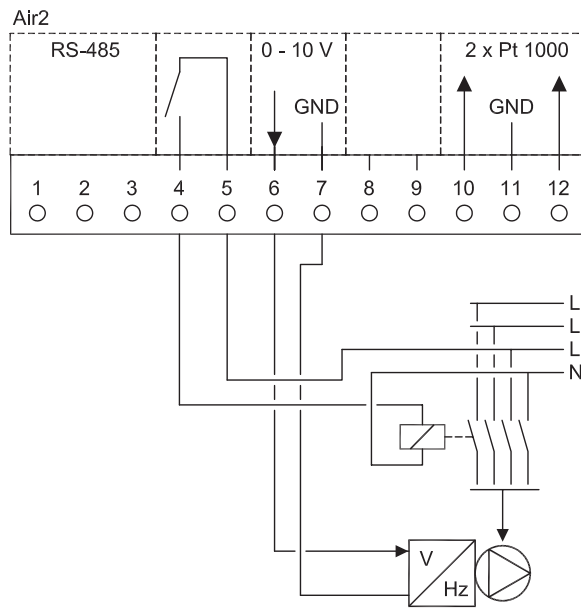
A315

F1, F2



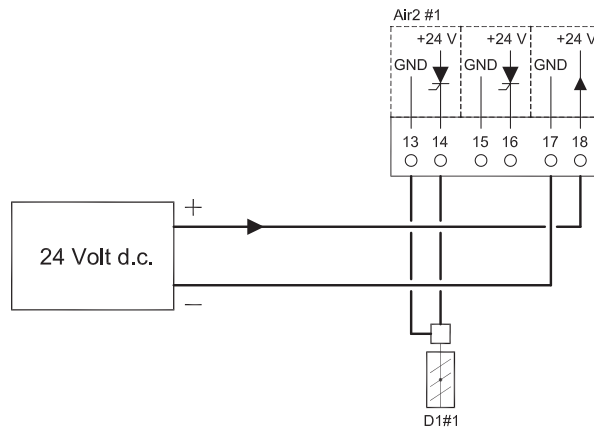
Danfoss
87H1813.12

**A315
F1, F2**



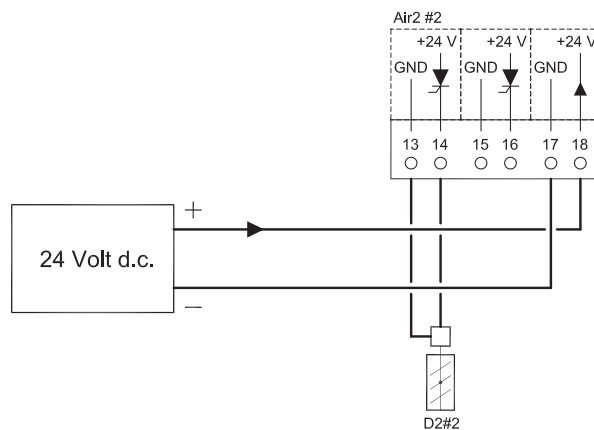
Danfoss
87H1814.13

**A315
D1#1**



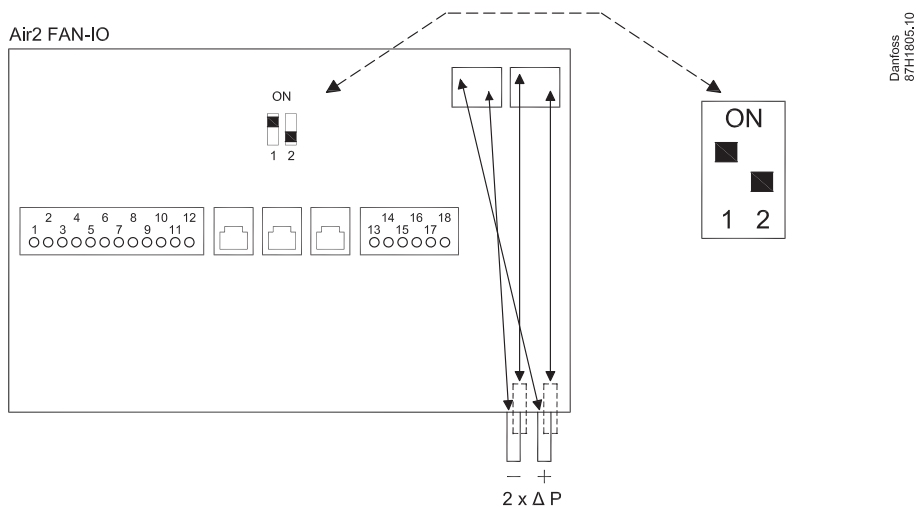
Danfoss
87H1811.11

**A315
D2#2**



Danfoss
87H1812.12

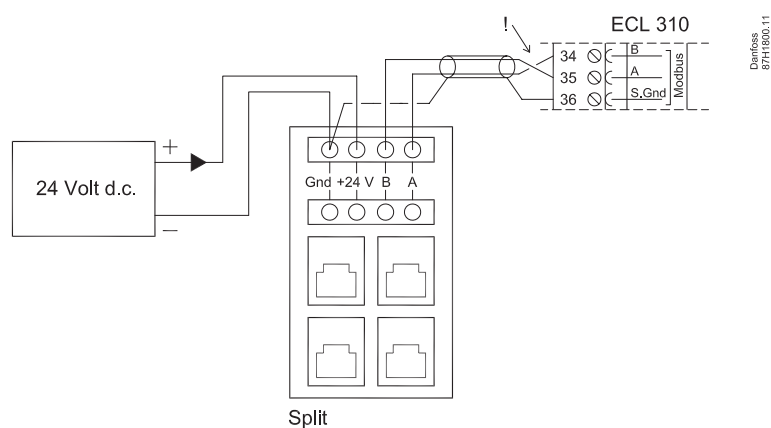
Air2 #1, Air2 #2



Danfoss
87H1805.10

		Address		(= HEX)
A315	Air2 #1	 <small>Danfoss 87H1807.10</small>	1 = ON 2 = OFF	"54"
	Air2 #2	 <small>Danfoss 87H1805.10</small>	1 = ON 2 = ON	"55"

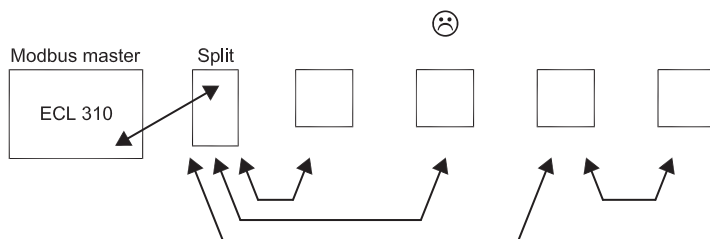
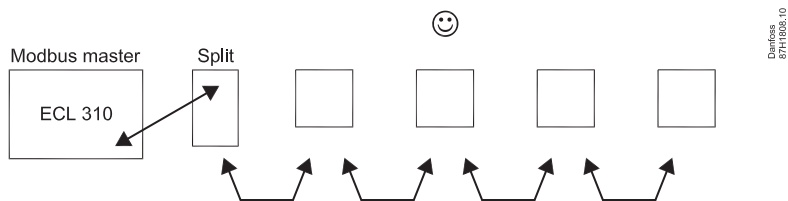
Modbus, ECL 310 - Split



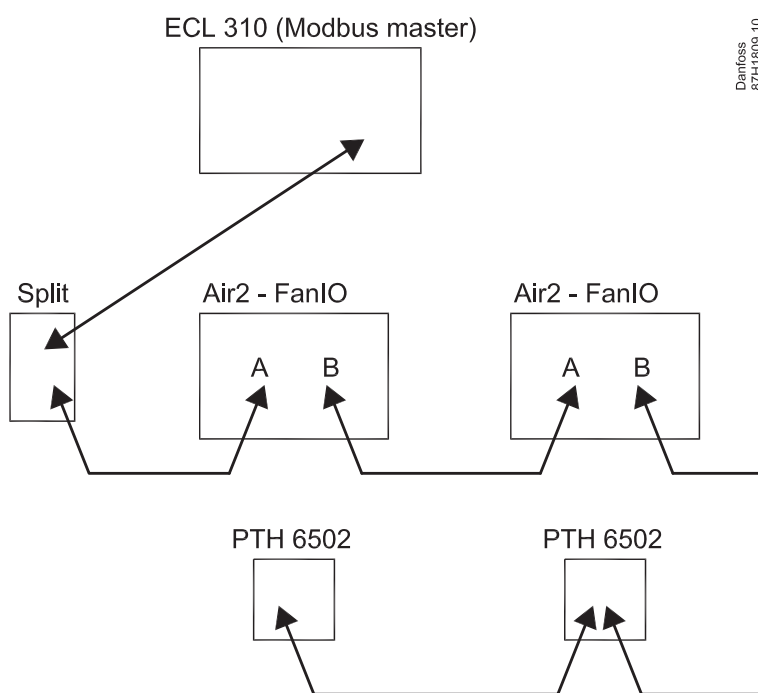
Danfoss
87H1805.11

Modbus:
ECL 310 (A) -> Split (B)
ECL 310 (B) -> Split (A)

Modbus

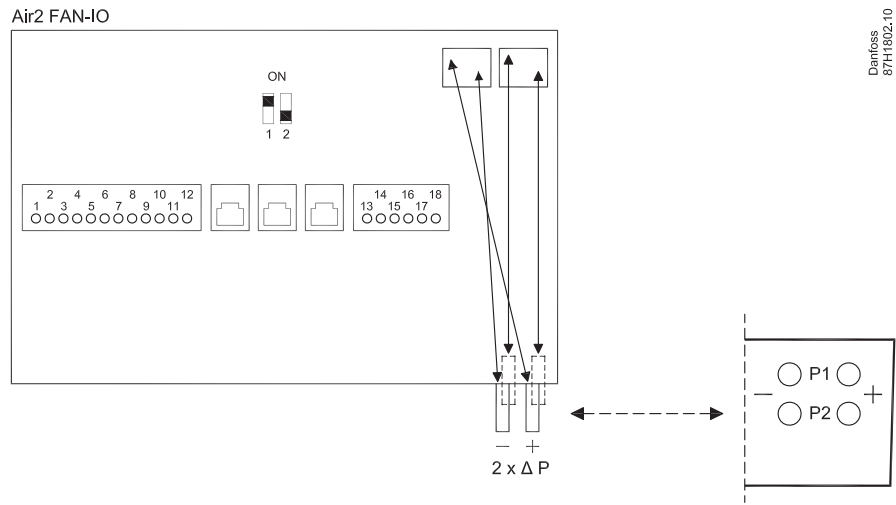


Modbus

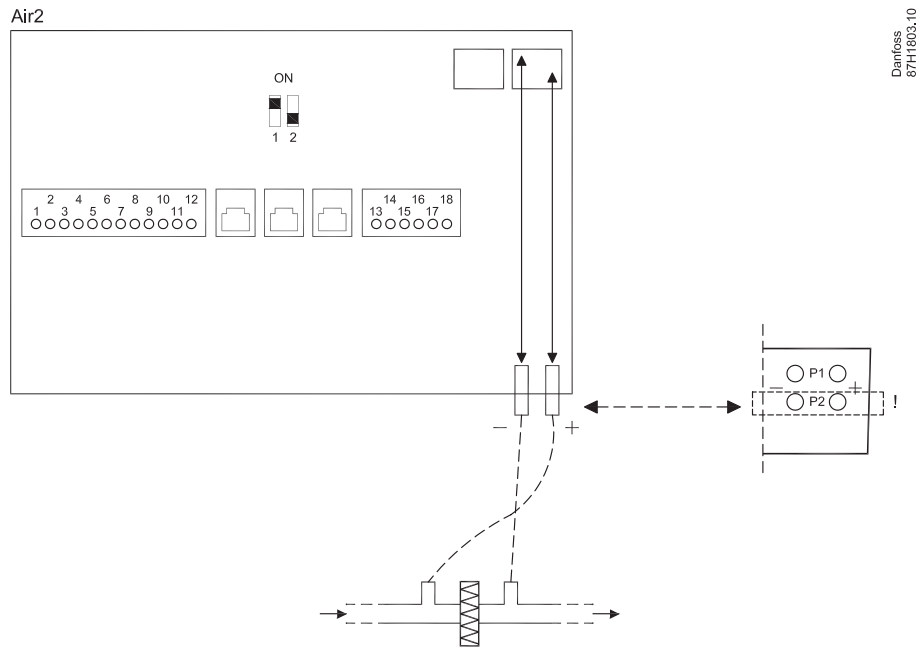


A315

Air2 #1, Air2 #2



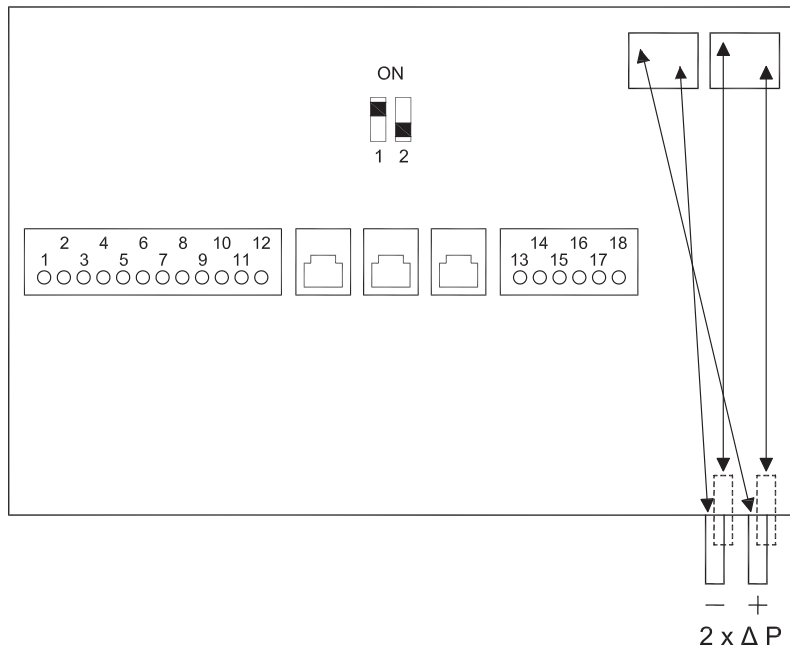
S27#1, S28#2



	Air2 #1	Air2 #2
S27#1	P2	
S28#2		P2

Air2 #1, Air2 #2

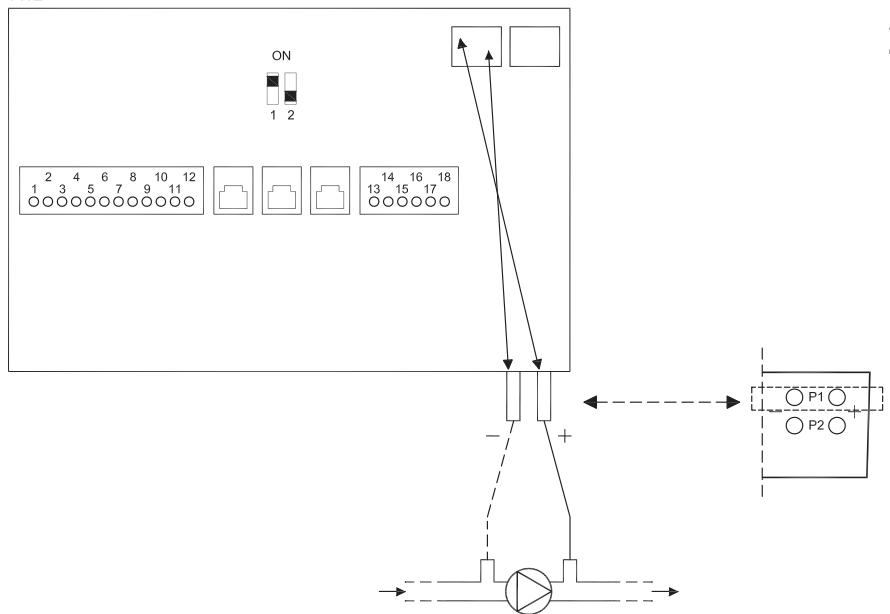
Air2 FAN-IO



Danfoss
87H1801.10

S24#1, S23#2

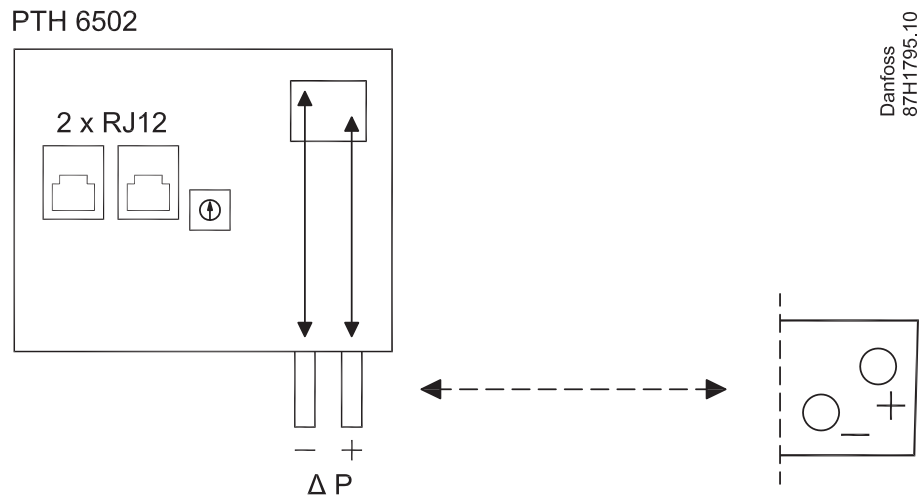
Air2



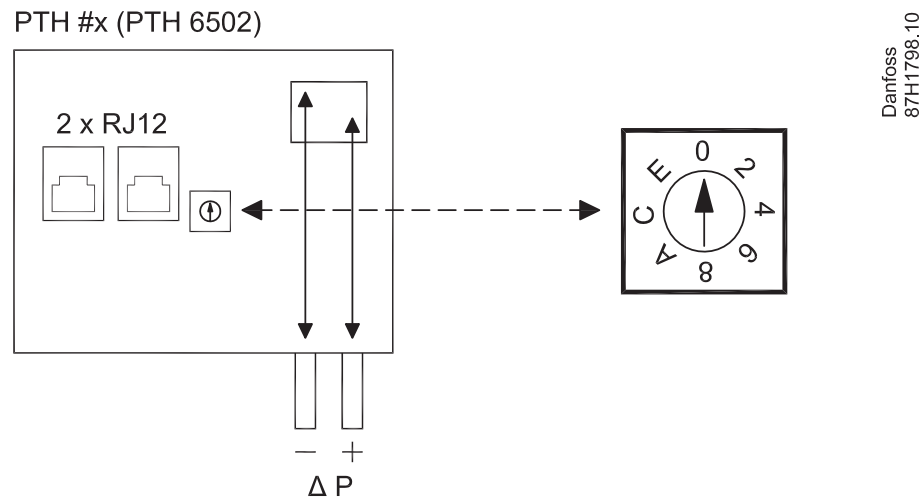
Danfoss
87H1804.10

	Air2 #1	Air2 #2
S24#1 (F2)	P2	
S23#2 (F1)		P1

PTH #3, PTH #4

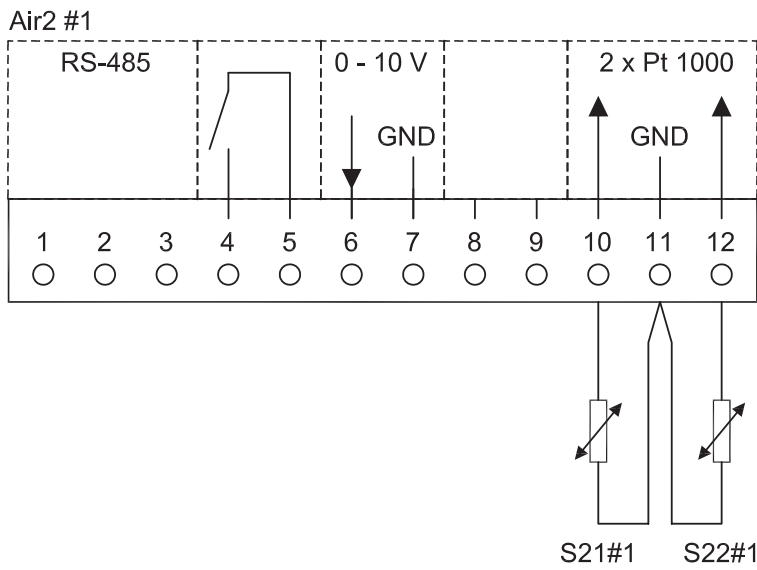


PTH #3, PTH #4



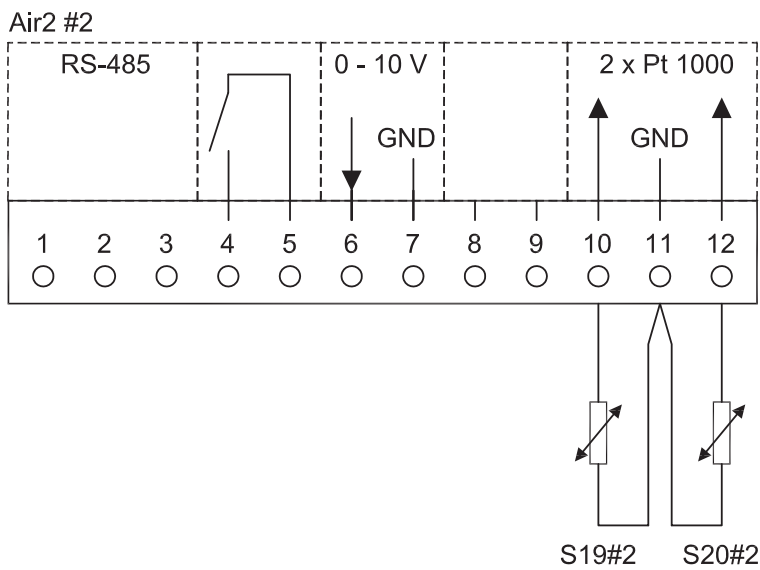
		Address	(= HEX)
A315	PTH #3	"0"	"59"
	PTH #4	"1"	"56"

S21#1, S22#1



Danfoss
87H1816.12

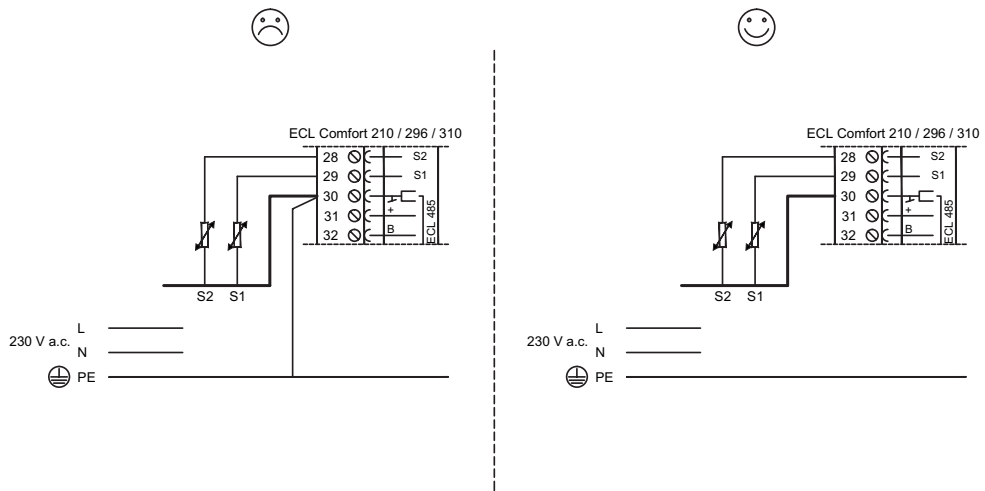
S19#2, S20#2



Danfoss
87H1815.12

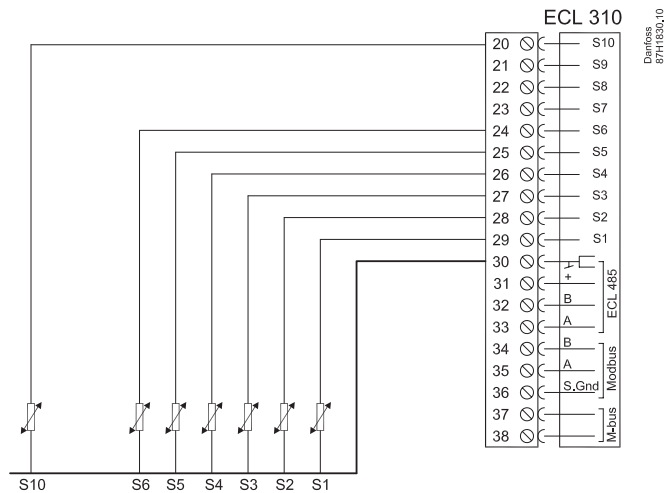
Installation Guide, ECL Comfort 310, A315, 24 V

Pt 1000 (1000 Ω / 0 °C)



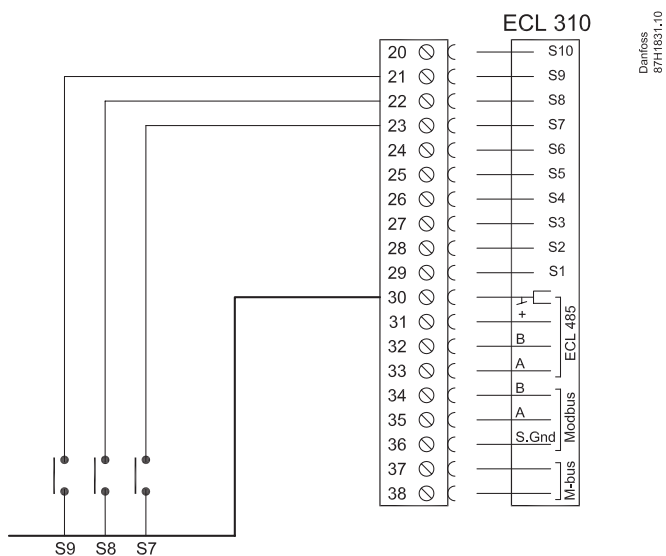
Danfoss
87H1487/11

A315, ECL 310 S1 - S6, S10



Danfoss
87H1830/10

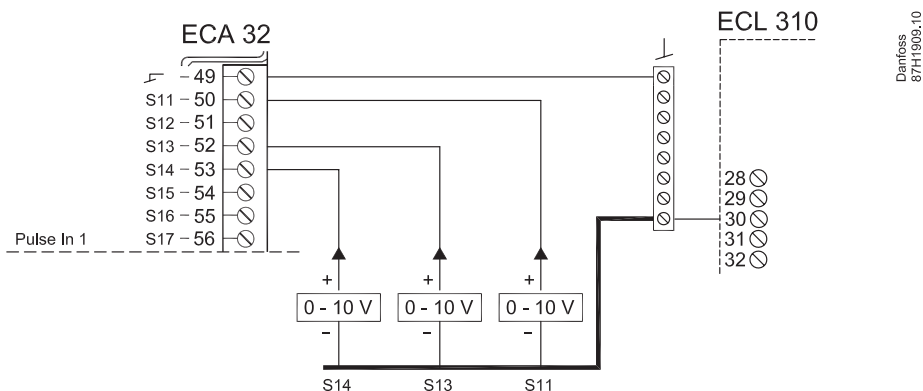
A315, ECL 310
S7 - S9



A315, ECL 310
ECA 32

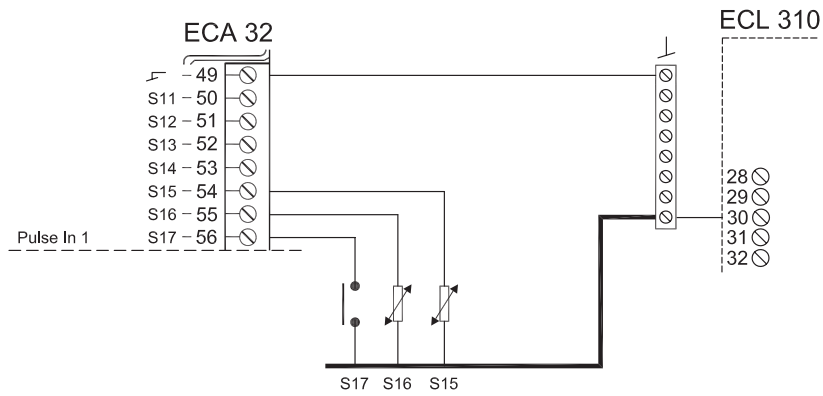
	S11	S12	S13 (Air PPM)	S14 (RH %)	S15	S16	S17	
A315.1	0 - 10 V		0 - 10 V	0 - 10 V	Pt 1000	Pt 1000		
A315.3								
A315.4								
A315.5				0 - 10 V	0 - 10 V			
A315.6						Pt 1000		Pt 1000
A315.10						Pt 1000		Pt 1000
A315.11				0 - 10 V	0 - 10 V	Pt 1000		Pt 1000
A315.12						Pt 1000		Pt 1000

A315, ECL 310
ECA 32, S11, S13, S14



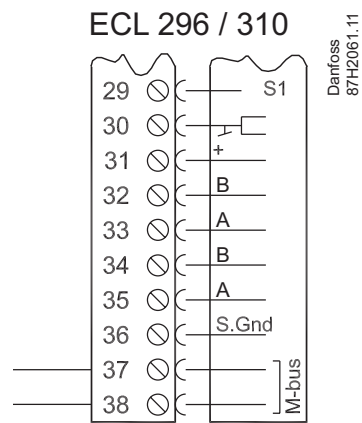
Installation Guide, ECL Comfort 310, A315, 24 V

A315, ECL 310
 ECA 32, S15, S16, S17



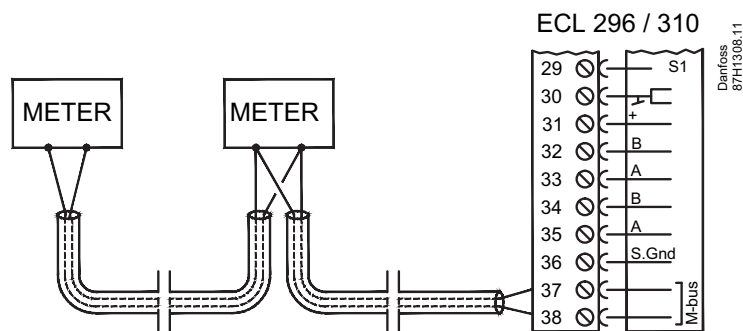
Danfoss
 87H1908.10

M-bus



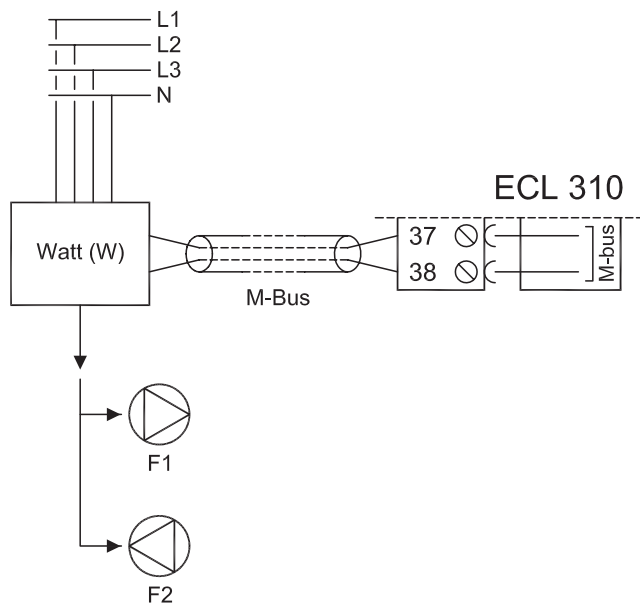
Danfoss
 87H2061.11

M-bus



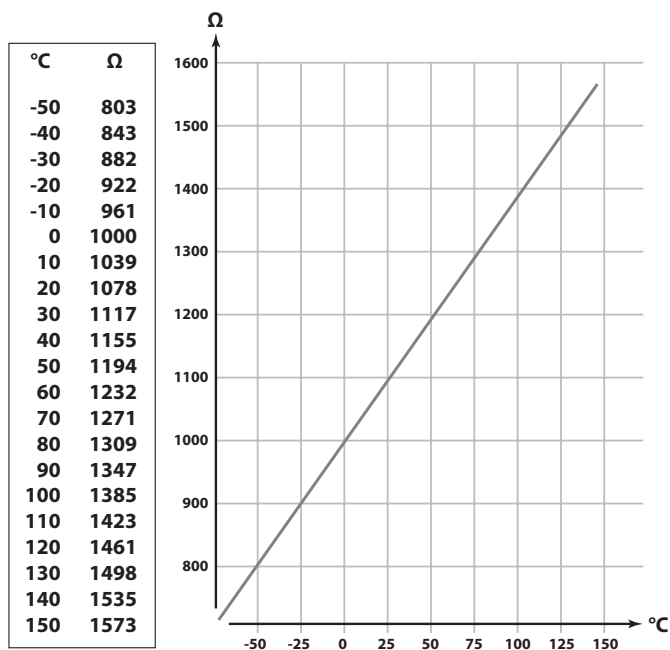
Danfoss
 87H1308.11

**A315
M-bus**



Danfoss
87H1820.10

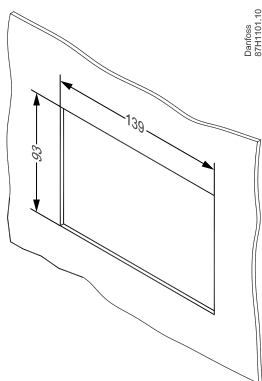
Pt 1000 (IEC 751B, 1000 Ω / 0 °C)



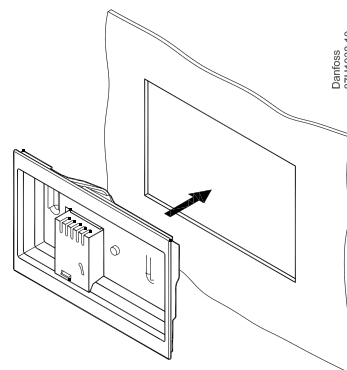
Installation Guide, ECL Comfort 310, A315, 24 V

ECA 30

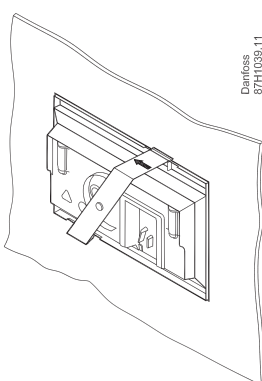
1



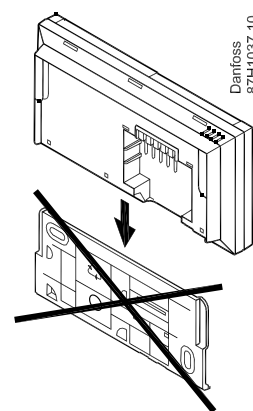
2



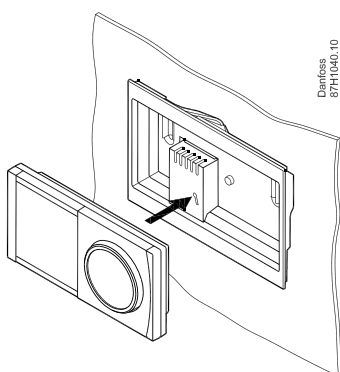
3



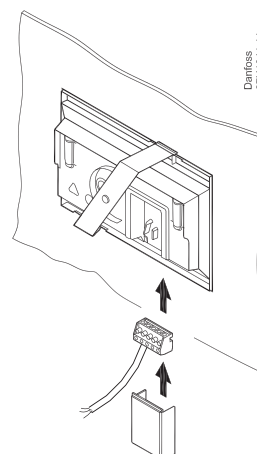
4



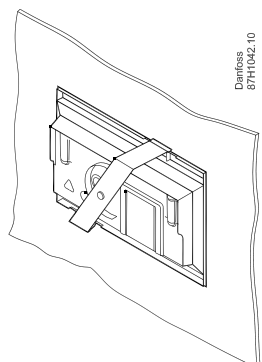
5



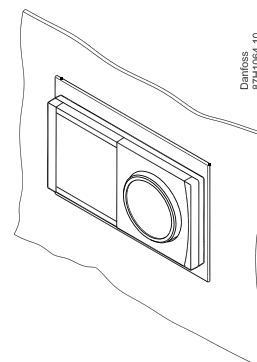
6



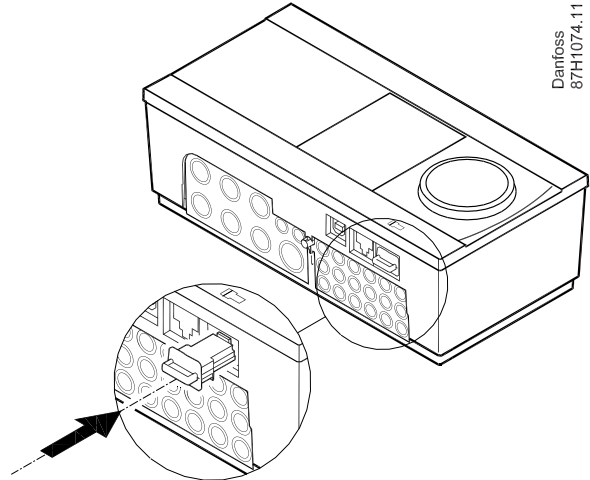
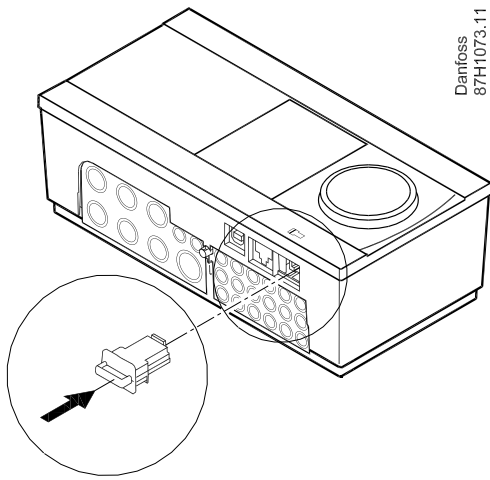
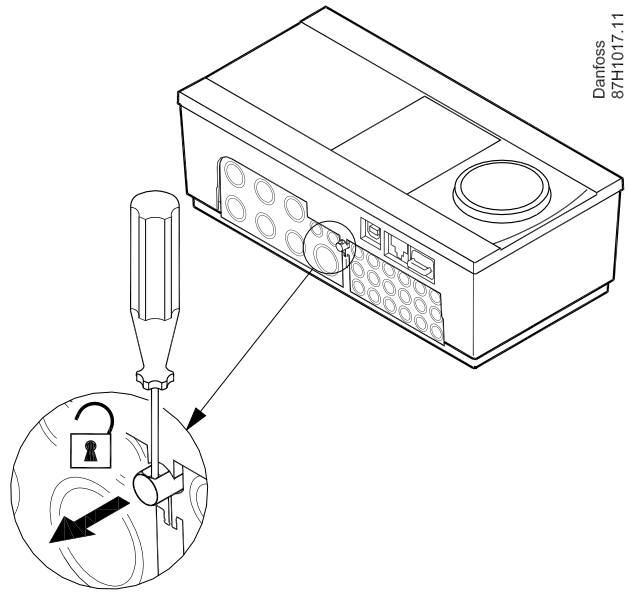
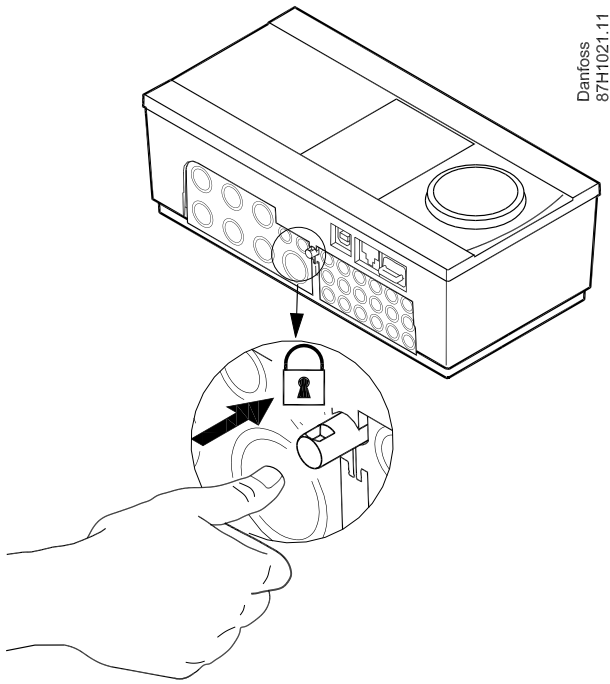
7



8



Installation Guide, ECL Comfort 310, A315, 24 V



? **ECL Comfort 310, A315: www.heating.danfoss.com**

? **<https://www.youtube.com/user/DanfossHeating>
-> Playlists -> How-to Videos -> District Energy installation videos**



Danfoss A/S

Climate Solutions • climatesolutions.danfoss.com • +45 7488 2222 • E-Mail: climatesolutions@danfoss.com

Any information, including, but not limited to information on selection of product, its application or use, product design, weight, dimensions, capacity or any other technical data in product manuals, catalogues descriptions, advertisements, etc. and whether made available in writing, orally, electronically, online or via download, shall be considered informative, and is only binding if and to the extent, explicit reference is made in a quotation or order confirmation. Danfoss cannot accept any responsibility for possible errors in catalogues, brochures, videos and other material. Danfoss reserves the right to alter its products without notice. This also applies to products ordered but not delivered provided that such alterations can be made without changes to form, fit or function of the product.

All trademarks in this material are property of Danfoss A/S or Danfoss group companies. Danfoss and the Danfoss logo are trademarks of Danfoss A/S. All rights reserved.