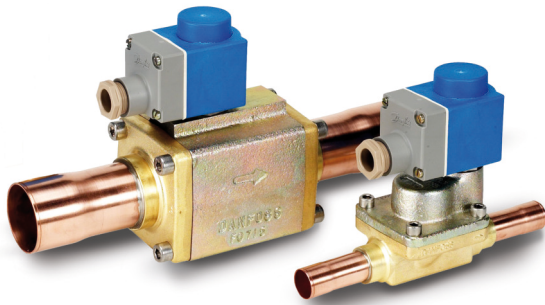


## Data Sheet

# Electric expansion valve Type **AKV 15** and **AKV 20**

For liquid injection into evaporators



AKV are electrically operated expansion valves designed for refrigerating plants.

The AKV valves are normally controlled by a controller from Danfoss' range of ADAP- KOOL® controllers.

The AKV valves are supplied as a component programme, as follows:

- Separate valve
- Separate coil with terminal box or cable
- Spare parts in the form upper part, orifice and filter

Valve capacity is indicated with a number forming part of the type designation. The number represents the size of the orifice of the valve in question. A valve with orifice 3 will for example be designated AKV 15-3. The orifice assembly is replaceable.

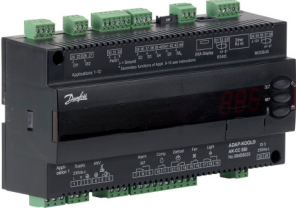



**Features:**

- Refrigerants: R134a, R22, R23, R404A, R407A, R407C, R407F, R407H, R410A, R422B, R422D, R438A, R448A, R449A, R449B, R450A, R452A, R463A, R507, R513A, R513B, R515A, R515B, R744.
- For a complete list of approved refrigerants, visit <https://store.danfoss.com/> and search for individual code numbers, where refrigerants are listed as part of technical data.
- The valve requires no adjustment
- Wide regulation range Replaceable orifice assembly
- Both expansion valve and solenoid valve
- Wide range of AC and DC coils

**Portfolio overview**

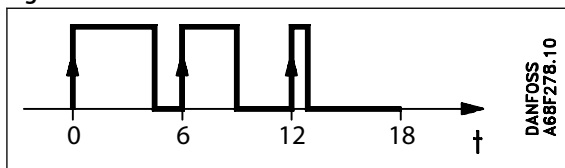
**Related products**

Table 1: Portfolio overview

AK-CC 550 case controller	AK-CC 750 case controller	EKC 315A superheat controller	DML/DMSC Eliminator® hermetic filter drier
			

## Function

Figure 1: Function



The valve capacity is regulated by means of pulse-width modulation. Within a period of six seconds a voltage signal from the controller will be transmitted to and removed from the valve coil. This makes the valve open and close for the flow of refrigerant.

The relation between this opening and closing time indicates the actual capacity. If there is an intense need for refrigeration, the valve will remain open for almost all six seconds of the period. If the required amount of refrigeration is modest, the valve will only stay open during a fraction of the period.

The amount of refrigeration needed is determined by the controller. When no refrigeration is required, the valve will remain closed and thus function as a solenoid valve.

**Product specification**

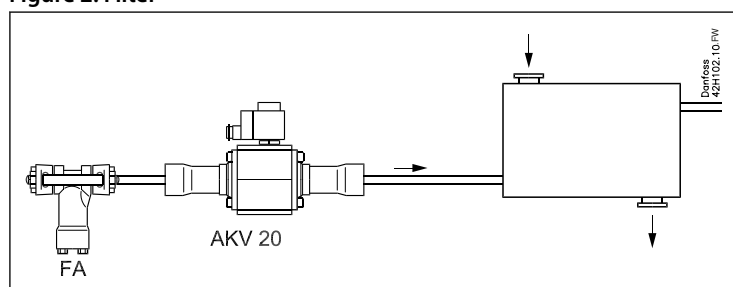
**Technical data**

**Table 2: Technical data**

Valve type	AKV 15	AKV 20
Tolerance of coil voltage (coil dependent)	10 / - 15%	10 / - 15%
Enclosure to IEC 529	Max. IP67	Max. IP67
Working principle	Pulse Width Modulation (PWM)	
Recommended period of time	6 sec.	6 sec.
Capacity (R404A/R507)	14 – 85 kW / 3.98 – 24.17 ton	56 – 530 kW / 15.92 – 150.70 ton
Regulation range (Capacity range)	10 – 100%	10 – 100%
Connection	Solder	Solder or weld
Evaporating temperature	- 50 – 60 °C / -58 – 140 °F	- 40 – 60 °C / -104 – 140 °F
Ambient temperature (coil dependent)	- 40 – 50 °C / -104 – 122 °F	- 40 – 50 °C / -104 – 122 °F
MOPD (Max. Opening Pressure Differential)	22 bar / 319 psig	18 bar / 261 psig
Filter, replaceable	External 100 µm	External 100 µm
Max. working pressure	AKV 15-1 – 15-4: 46 barg / 667 psig	AKV 20-1 – 20-5: 28 barg / 406 psig

**Filter**

**Figure 2: Filter**



On plants using AKV 15 or AKV 20 a filter must be mounted in front of AKV 15 and AKV 20.

**Capacity**

**Table 3: AKV 15**

Valve type	Rated capacity <sup>(1)</sup>														kv value[m <sup>3</sup> /h]	Connections Solder ODF		
	R22		R134a		R407C		R404A/ R507		R407A		R410A		R744			Inlet x outlet [in]	Inlet x outlet [mm]	Multipack Code no.
	[kW]	[TR]	[kW]	[TR]	[kW]	[TR]	[kW]	[TR]	[kW]	[TR]	[kW]	[TR]	[kW]	[TR]				
AKV 15-1	25.7	7.3	19.9	5.66	27.1	7.72	18.1	5.14	25.4	7.23	30.1	8.56	32.7	9.3	0.25	¾ x ¾	-	068F5000
	25.7	7.3	19.9	5.66	27.1	7.72	18.1	5.14	25.4	7.23	30.1	8.56	32.7	9.3	0.25	-	18 x 18	068F5001
	25.7	7.3	19.9	5.66	27.1	7.72	18.1	5.14	25.4	7.23	30.1	8.56	32.7	9.3	0.25	¾ x ¾	-	068F5035 <sup>(2)</sup>
AKV 15-2	41.1	11.7	31.8	9.03	43.3	12.3	28.9	8.23	40.6	11.6	48.1	13.7	52.4	14.9	0.4	¾ x ¾	-	068F5005
	41.1	11.7	31.8	9.03	43.3	12.3	28.9	8.23	40.6	11.6	48.1	13.7	52.4	14.9	0.4	-	18 x 18	068F5006
	41.1	11.7	31.8	9.03	43.3	12.3	28.9	8.23	40.6	11.6	48.1	13.7	52.4	14.9	0.4	¾ x ¾	-	068F5036 <sup>(2)</sup>
AKV 15-3	64.5	18.3	49.9	14.1	68.1	19.4	45.4	12.9	63.8	18.1	75.7	21.5	82.6	23.5	0.63	7/8 x 7/8	-	068F5010
	64.5	18.3	49.9	14.1	68.1	19.4	45.4	12.9	63.8	18.1	75.7	21.5	82.6	23.5	0.63	7/8 x 7/8	-	068F5037 <sup>(2)</sup>
AKV 15-4	102	29	78.6	22.3	107	30.5	71.9	20.5	101	28.6	120	34.1	131	37.2	1	1 1/8 x 1 1/8	-	068F5015
	102	29	78.6	22.3	107	30.5	71.9	20.5	101	28.6	120	34.1	131	37.2	1	-	28 x 28	068F5016
	102	29	78.6	22.3	107	30.5	71.9	20.5	101	28.6	120	34.1	131	37.2	1	1 1/8 x 1 1/8	-	068F5038 <sup>(2)</sup>

## Electric expansion valve, Type AKV 15 and AKV 20

<sup>(1)</sup> Rated capacities are based on:  
 Condensing temperature  $t_c = 38\text{ }^\circ\text{C} / 100\text{ }^\circ\text{F}$   
 Liquid temperature  $t_l = 37\text{ }^\circ\text{C} / 98\text{ }^\circ\text{F}$   
 Evaporating temperature  $t_e = 4.4\text{ }^\circ\text{C} / 40\text{ }^\circ\text{F}$

<sup>(2)</sup> UL Listed

Table 4: AKV 20

Valve type	Rated capacity <sup>(3)</sup>														kv valve[m <sup>3</sup> h]	Connections Solder ODF			Code no.
	R22		R134a		R407C		R404A/ R507		R407A		R410A		R744			Inlet × outlet[in]	Inlet × outlet[mm]	Multi-pack Code no.	
	[kW]	[TR]	[kW]	[TR]	[kW]	[TR]	[kW]	[TR]	[kW]	[TR]	[kW]	[TR]	[kW]	[TR]					
AKV 20-1	103	29.2	79.5	22.6	108	30.8	72	20.6	102	28.9	120	34.2	131	37.2	1	1 3/8 × 1 3/8	35 × 35	-	042H2020
	103	29.2	79.5	22.6	108	30.8	72	20.6	102	28.9	120	34.2	131	37.2	1	-	-	1 1/4 × 1 1/4	042H2021
AKV 20-2	164	46.6	127	36	173	49.2	115	32.9	162	46.1	192	54.7	210	59.7	1.6	1 3/8 × 1 3/8	35 × 35	-	042H2022
	164	46.6	127	36	173	49.2	115	32.9	162	46.1	192	54.7	210	59.7	1.6	-	-	1 1/4 × 1 1/4	042H2023
AKV 20-3	255	72.6	197	55.9	269	76.5	180	51.2	252	71.7	300	85.3	328	93.3	2.5	-	42 × 42	-	042H2025
	255	72.6	197	55.9	269	76.5	180	51.2	252	71.7	300	85.3	328	93.3	2.5	1 5/8 × 1 5/8	-	-	042H2024
	255	72.6	197	55.9	269	76.5	180	51.2	252	71.7	300	85.3	328	93.3	2.5	-	-	1 1/4 × 1 1/4	042H2026
AKV 20-4	405	115	311	88.3	426	121	286	81.4	400	114	477	136	526	150	4	2 1/8 × 2 1/8	54 × 54	-	042H2027
	405	115	311	88.3	426	121	286	81.4	400	114	477	136	526	150	4	-	-	1 1/4 × 1 1/4	042H2028
AKV 20-5	631	179	478	136	660	188	446	127	620	176	746	212	835	237	6.3	2 1/8 × 2 1/8	54 × 54	-	042H2029
	631	179	478	136	660	188	446	127	620	176	746	212	835	237	6.3	-	-	2 × 2	042H2030

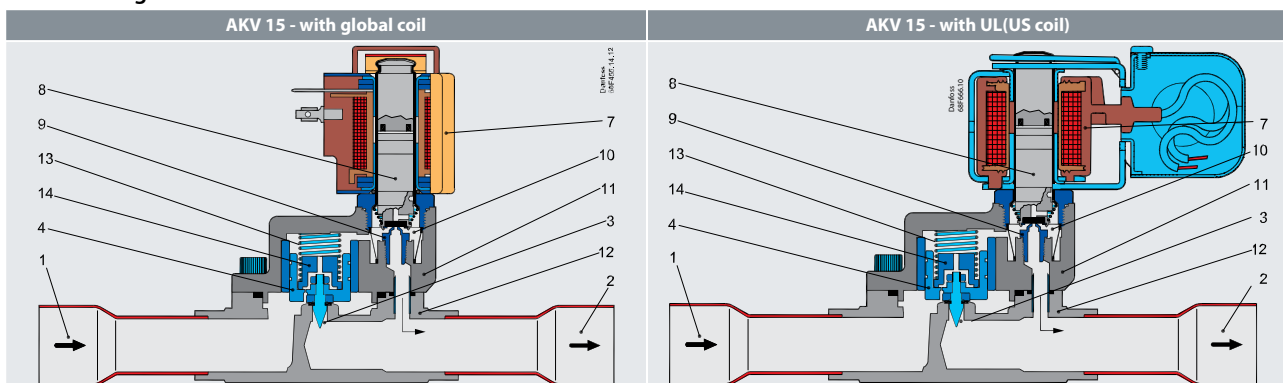
<sup>(3)</sup> Rated capacities are based on:  
 Condensing temperature  $t_c = 38\text{ }^\circ\text{C} / 100\text{ }^\circ\text{F}$   
 Liquid temperature  $t_l = 37\text{ }^\circ\text{C} / 98\text{ }^\circ\text{F}$   
 Evaporating temperature  $t_e = 4.4\text{ }^\circ\text{C} / 40\text{ }^\circ\text{F}$

### ⚠ WARNING:

AKV 20 are not suitable for R744 applications with media temperatures constantly below 0 °C. For other media temperatures, please contact Danfoss.

## Design

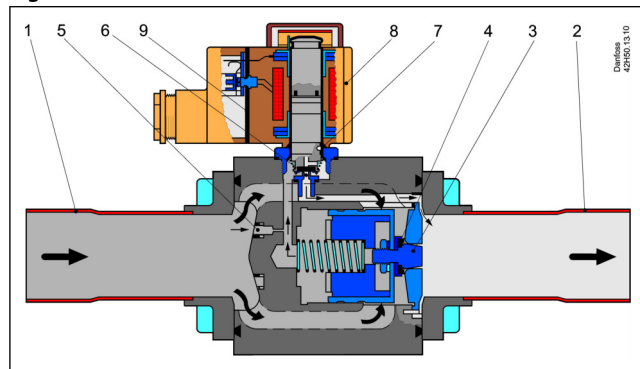
Table 5: Design



## Electric expansion valve, Type AKV 15 and AKV 20

1	Inlet	7	Pilot orifice
2	Outlet	8	Filter
3	Orifice	9	Cover
4	Piston assembly	10	Valve body
5	Coil	11	Spring
6	Armature	12	Orifice assembly

Figure 3: AKV 20



1	Inlet
2	Outlet
3	Orifice
4	Valve seat
5	Filter
6	Pilot orifice
7	O-ring
8	Coil
9	Terminal box

### Dimensions [mm] and weights [kg]

#### AKV 20 - with global coil

Figure 4: AKV 20 - with global coil

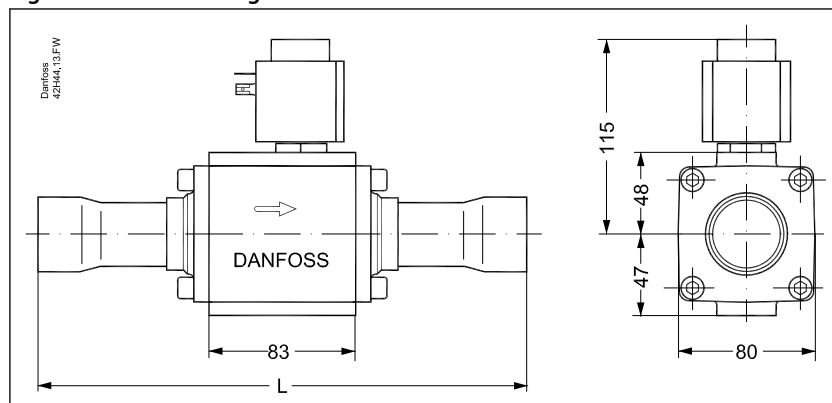


Table 6: AKV 20 - with global coil

Valve type	Solder connections						Weld connections			
	Inlet	Outlet	Inlet	Outlet	L	Net weight without coil	Inlet	Outlet	L	Net weight without coil
	[in.]	[in.]	[mm]	[mm]	[mm]	[kg]	[mm]	[mm]	[mm]	[kg]
AKV 20-1	1 $\frac{3}{8}$	1 $\frac{3}{8}$	35	35	281	4.3	1 $\frac{1}{4}$	1 $\frac{1}{4}$	176	4.1
AKV 20-2	1 $\frac{3}{8}$	1 $\frac{3}{8}$	35	35	281	4.3	1 $\frac{1}{4}$	1 $\frac{1}{4}$	176	4.1
AKV 20-3	1 $\frac{5}{8}$	1 $\frac{5}{8}$	42	42	281	4.3	1 $\frac{1}{4}$	1 $\frac{1}{4}$	176	4.1
AKV 20-4	2 $\frac{1}{8}$	2 $\frac{1}{8}$	54	54	281	4.3	1 $\frac{1}{2}$	1 $\frac{1}{2}$	176	4.1

**AKV 15 - with global coil**

Figure 5: AKV 15 - with global coil

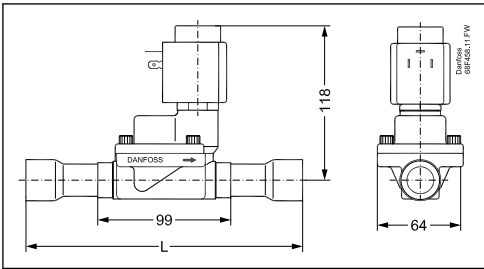


Table 7: AKV 15 - with global coil

Valve type	Inlet	Outlet	Inlet	Outlet	L	Net weight without coil
	[in.]	[in.]	[mm]	[mm]		
AKV 15-1	3/4	3/4	18	18	190	1.5
AKV 15-2	3/4	3/4	18	18	190	1.5
AKV 15-3	7/8	7/8	22	22	190	1.5
AKV 15-4	1 1/8	1 1/8	28	28	216	1.5

**AKV 15 - with BJ/BX coil**

Table 8: AKV 15 - with BJ/BX coil

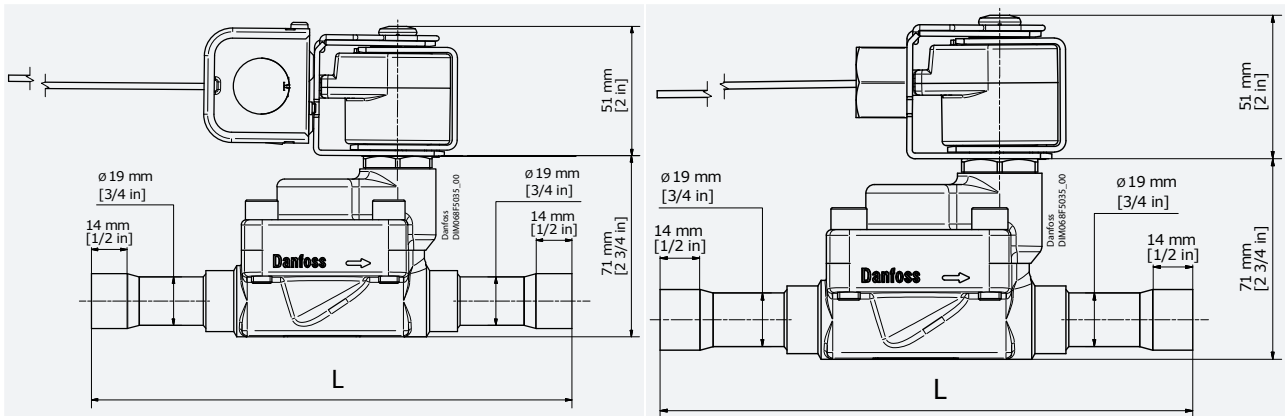


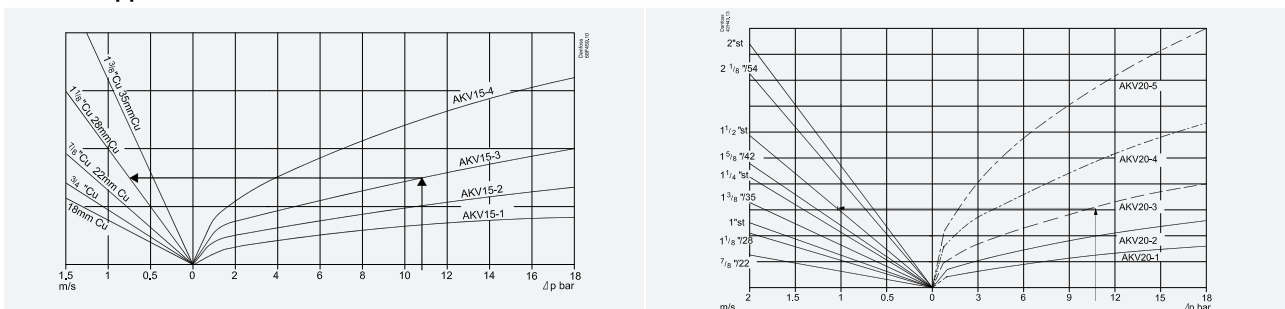
Table 9: AKV 15 - with BJ/BX coil

Valve type	Inlet [inch]	Outlet [inch]	L [inch]	Net weight without coil [kg]
AKV 15-1	3/4	3/4	7.48	3.31
AKV 15-2	3/4	3/4	7.48	3.31
AKV 15-3	7/8	7/8	7.48	3.31
AKV 15-4	1 1/8	1 1/8	8.5	3.31

**Appendix 1**

Dimensioning of the liquid line (R22/R407C, R134a, R404A, R507)

Table 10: Appendix 1



## Ordering

### Coils for AKV valves

Table 11: Coils for AKV valves

DC coils	AKV	AKV
	15-1 15-2 15-3 15-4	20-1 20-3 20-2
		20-4 20-5

Table 12: DC coils

DC coils	Code no.	AKV	AKV	AKV
220 V DC 20 W, standard with terminal box	018F6851	+	+	+
100 V DC 18 W, special with terminal box	018F6780	+	+	+
with DIN plugs	—			
230 V DC 18 W, special with terminal box	018F6781 <sup>(1)</sup>	+	+	+
with DIN plugs	018F6991 <sup>(1)</sup>			
230 V DC 18 W, special with 2.5 m cable	018F6288 <sup>(1)</sup>			
with 4.0 m cable	018F6278 <sup>(1)</sup>	+	+	+
with 8.0 m cable	018F6279 <sup>(1)</sup>			

<sup>(1)</sup> Recommended for commercial refrigeration plant.

Table 13: AC coils

AC coils	Code no.	AKV	AKV	AKV
240 V AC 10 W, 50 Hz with terminal box	018F6702	+	—	—
with DIN plugs	018F6177			
240 V AC 10 W, 60 Hz with terminal box	018F6713	+	—	—
with DIN plugs	—			
240 V AC 12 W, 50 Hz with terminal box	018F6802	+	+	—
230 V AC 10 W, 50 Hz with terminal box	018F6701	+	—	—
with DIN-plugs	018F6176			
230 V AC 10 W, 60 Hz with terminal box	018F6714	+	—	—
with DIN-plugs	018F6189			
230 V AC 10 W, 50/60 Hz with terminal box	018F6732	+	—	—
with DIN-plugs	018F6193			
230 V AC 12 W, 50 Hz with terminal box	018F6801	+	+	—
230 V AC 12 W, 60 Hz with terminal box	018F6814	+	+	—
230 V AC 20 W, 50 Hz with terminal box	018F6905 <sup>(2)</sup>	+	+	+
115 V AC 10 W, 50 Hz with terminal box	018F6711	+	—	—
with DIN-plugs	—			
115 V AC 10 W, 60 Hz with terminal box	018F6710	+	—	—
with DIN-plugs	018F6185			
110 V AC 12 W, 50 Hz with terminal box	018F6811	+	+	—
110 V AC 12 W, 60 Hz with terminal box	018F6813	+	+	—
110 V AC 20 W, 50 Hz with terminal box	018Z6904	+	+	+
24 V AC 10 W, 50 Hz with terminal box	018F6707	+	—	—
with DIN-plugs	018F6182			
24 V AC 10 W, 60 Hz with terminal box	018F6715	+	—	—
with DIN-plugs	—			
24 V AC 12 W, 50 Hz with terminal box	018F6807	+	+	+



## Electric expansion valve, Type AKV 15 and AKV 20

AC coils		Code no.	AKV	AKV	AKV
24 V AC 12 W, 60 Hz	with terminal box	018F6815	+	+	+
24 V AC 20 W, 50 Hz	with terminal box	018F6904 <sup>(2)</sup>	+	+	+
24 V AC 20 W, 60 Hz	with terminal box	018F6902 <sup>(2)</sup>	+	+	+

<sup>(2)</sup> 20 W coils can not be connected to AKC 24P2 and AKC 24W2.

### AC coils for AKV

#### Junction box NEMA 2

Figure 6: Junction box NEMA 2



Table 14: Junction box NEMA 2

Valve type	Coil type	Wire length		Voltage [V AC]	Frequency [Hz]	Power consumption [W]	Code no.
		[in]	[cm]				
AKV 15, 20	BJ024CS	7	18	24	50 / 60	14	018F4100
	BJ120CS	7	18	110	50 / 60	16	018F4110
		7	18	120	60	15	
	BJ240CS	7	18	208 – 240	60	14	018F4120
		7	18	230	50	17	

#### Conduit boss NEMA 4

Figure 7: Conduit boss NEMA 4



Table 15: Conduit boss NEMA 4

Valve type	Coil type	Wire length		Voltage [V AC]	Frequency [Hz]	Power consumption [W]	Code no.
		[in]	[cm]				
AKV 15, 20	BX024CS	18	46	24	50 / 60	14	018F4102
	BX024CS	71	180	24	50 / 60	14	018F4103
	BX024CS	98	250	24	50 / 60	14	018F4104
	BX120CS	18	46	110	50 / 60	16	018F4112
		18	46	120	60	15	
	BX120CS	36	91	110	50 / 60	16	018F4113
		36	91	120	60	15	
	BX120CS	71	180	110	50 / 60	16	018F4114
		71	180	120	60	15	
	BX120CS	98	250	110	50 / 60	16	018F4115
		98	250	120	60	15	
	BX240CS	18	46	208 – 240	60	14	018F4122
		98	250	230	50	17	
	BX240CS	18	46	208 – 240	60	14	018F4123
		98	250	230	50	17	

## Certificates, declarations, and approvals

The list contains all certificates, declarations, and approvals for this product type. Individual code number may have some or all of these approvals, and certain local approvals may not appear on the list.

Some approvals may change over time. You can check the most current status at [danfoss.com](http://danfoss.com) or contact your local Danfoss representative if you have any questions.

**Table 16: Certificates, declarations, and approvals**

File name	Document type	Document topic	Approval authority
UL MH7648	Electrical - Safety Certificate	-	UL

## Online support

Danfoss offers a wide range of support along with our products, including digital product information, software, mobile apps, and expert guidance. See the possibilities below.

### The Danfoss Product Store



The Danfoss Product Store is your one-stop shop for everything product related—no matter where you are in the world or what area of the cooling industry you work in. Get quick access to essential information like product specs, code numbers, technical documentation, certifications, accessories, and more.

Start browsing at [store.danfoss.com](https://store.danfoss.com).

### Find technical documentation



Find the technical documentation you need to get your project up and running. Get direct access to our official collection of data sheets, certificates and declarations, manuals and guides, 3D models and drawings, case stories, brochures, and much more.

Start searching now at [www.danfoss.com/en/service-and-support/documentation](https://www.danfoss.com/en/service-and-support/documentation).

### Danfoss Learning



Danfoss Learning is a free online learning platform. It features courses and materials specifically designed to help engineers, installers, service technicians, and wholesalers better understand the products, applications, industry topics, and trends that will help you do your job better.

Create your Danfoss Learning account for free at [www.danfoss.com/en/service-and-support/learning](https://www.danfoss.com/en/service-and-support/learning).

### Get local information and support



Local Danfoss websites are the main sources for help and information about our company and products. Find product availability, get the latest regional news, or connect with a nearby expert—all in your own language.

Find your local Danfoss website here: [www.danfoss.com/en/choose-region](https://www.danfoss.com/en/choose-region).

Any information, including, but not limited to information on selection of product, its application or use, product design, weight, dimensions, capacity or any other technical data in product manuals, catalogues descriptions, advertisements, etc. and whether made available in writing, orally, electronically, online or via download, shall be considered informative, and is only binding if and to the extent, explicit reference is made in a quotation or order confirmation. Danfoss cannot accept any responsibility for possible errors in catalogues, brochures, videos and other material. Danfoss reserves the right to alter its products without notice. This also applies to products ordered but not delivered provided that such alterations can be made without changes to form, fit or function of the product. All trademarks in this material are property of Danfoss A/S or Danfoss group companies. Danfoss and the Danfoss logo are trademarks of Danfoss A/S. All rights reserved.