

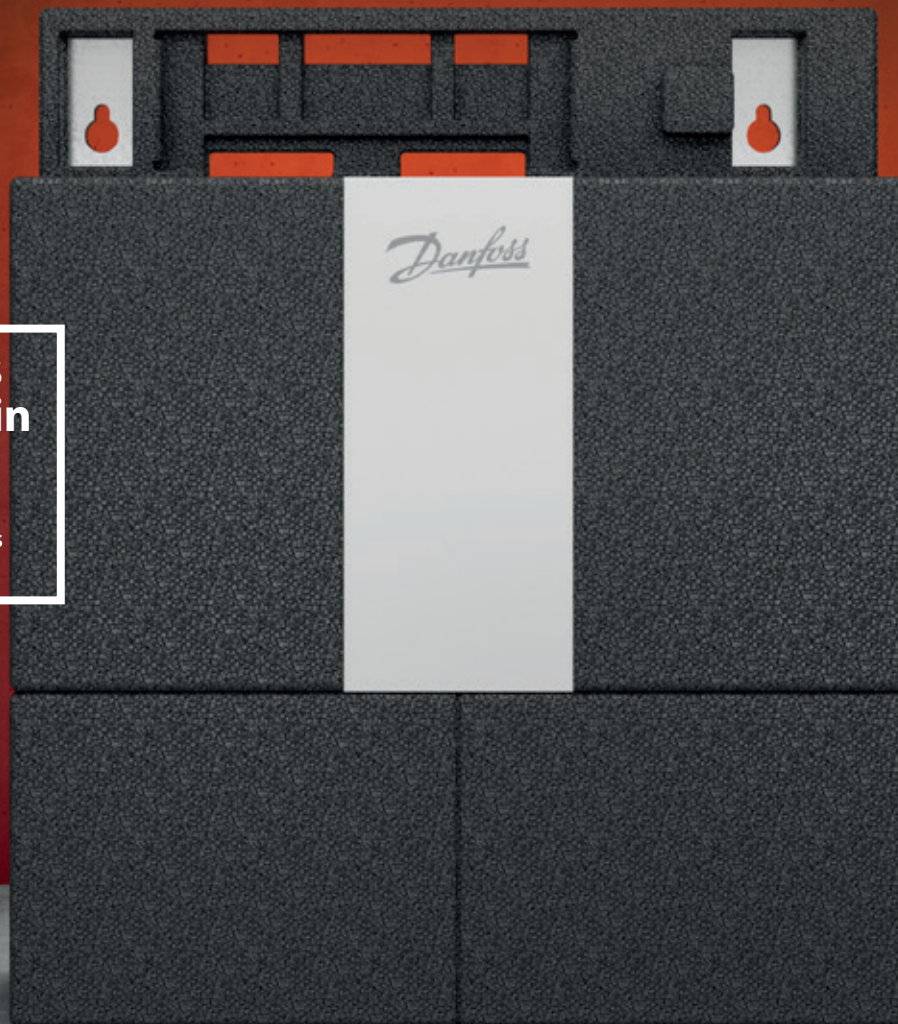
Flat stations | EvoFlat 4.0

Industrial and modular designed flat stations that **help you win** **project tenders**

EvoFlat 4.0 is a series of modular flat stations (a.k.a. Heat Interface Unit or HIU) with self-acting controls for decentralized heating systems in flats and apartments. The flat stations provide residents comfortable heating and on-demand domestic hot water with highest energy efficiency. The stations are designed for mounting into a recess box or directly on a wall.

3 models
432+ main
variants

to choose from
and many options
to add



Next generation **Danfoss EvoFlat 4.0 flat stations** **Better | Lighter | Easier**

In residential heating projects it's all about time, money and reliability. For that reason our engineers completely re-designed our EvoFlat flat stations. They used the most innovative technologies available today to design the flat station for the next decade.

The result: EvoFlat 4.0.

The new EvoFlat 4.0 is:

- **modular designed** to cover every design requirement
- equipped with the highest **quality components** for a long lifetime value
- highly **energy-efficient** to minimize heating costs
- the **lightest** flat station on the market for fast and easy installation



Better. The key to success is established by the innovative new 'body' inside the station. It's made from glass-fiber reinforced PPS composite. Composite is strong, has a limited heat emission, has a smooth surface that avoids scaling and clogging and is super lightweight. It's the perfect innovation that eliminates the traditional brass or stainless-steel pipes, fittings and valves as seen in most stations. On top, it makes the station compliant with upcoming RoHS 2024 regulations.



Lighter. The special composite 'body' also includes the hydronic components. From the traditional components such as differential pressure controller, summer by-pass and temperature controllers, the brass valve bodies are now integrated in the composite 'body'. This significantly reduces weight and use of materials.



Easier. All the remaining components are mounted to the 'body' using newly designed click-fit connections. Every component can be easily accessed from the front. This makes service to, or an upgrade of, the station very easy. The new EvoFlat 4.0 has the same connections and in-between distances as the existing EvoFlat for easy replacement.

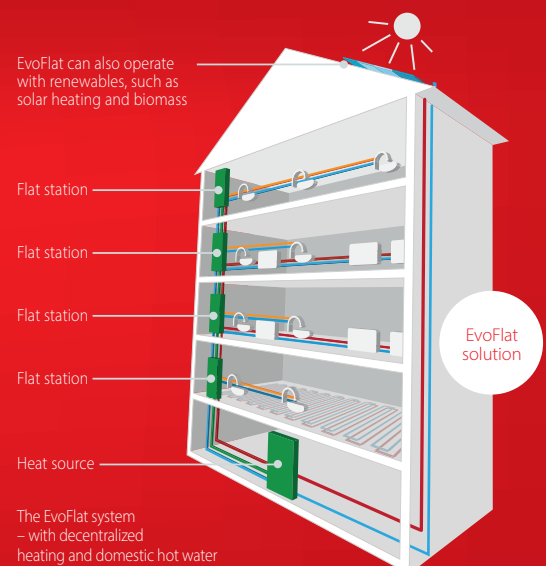
EvoFlat 4.0:

- Compact flat station for direct heating and/or domestic hot water
- Available in 3 models with 15 kW heating and/or 45-80 kW hot water capacity
- 2 differential pressure controllers for high energy efficiency and constant hot water temperature
- Compact dimensions: H 613 x W 530 x D 150 mm incl. insulation
- Lightweight: < 11 kg in the most complete configuration

Decentralized **heating** and **domestic hot water**

The EvoFlat decentralized heating systems offer the better alternative to traditional heating systems as commonly used in flats and apartment buildings. The increased flexibility, high cost efficiency, long system lifetime and less maintenance not only lower the carbon footprint, they also result in quicker and more sustainable return on investment.

With EvoFlat 4.0 we maximize these benefits and offer even greater comfort for the residents and lower overall costs for the building owner.

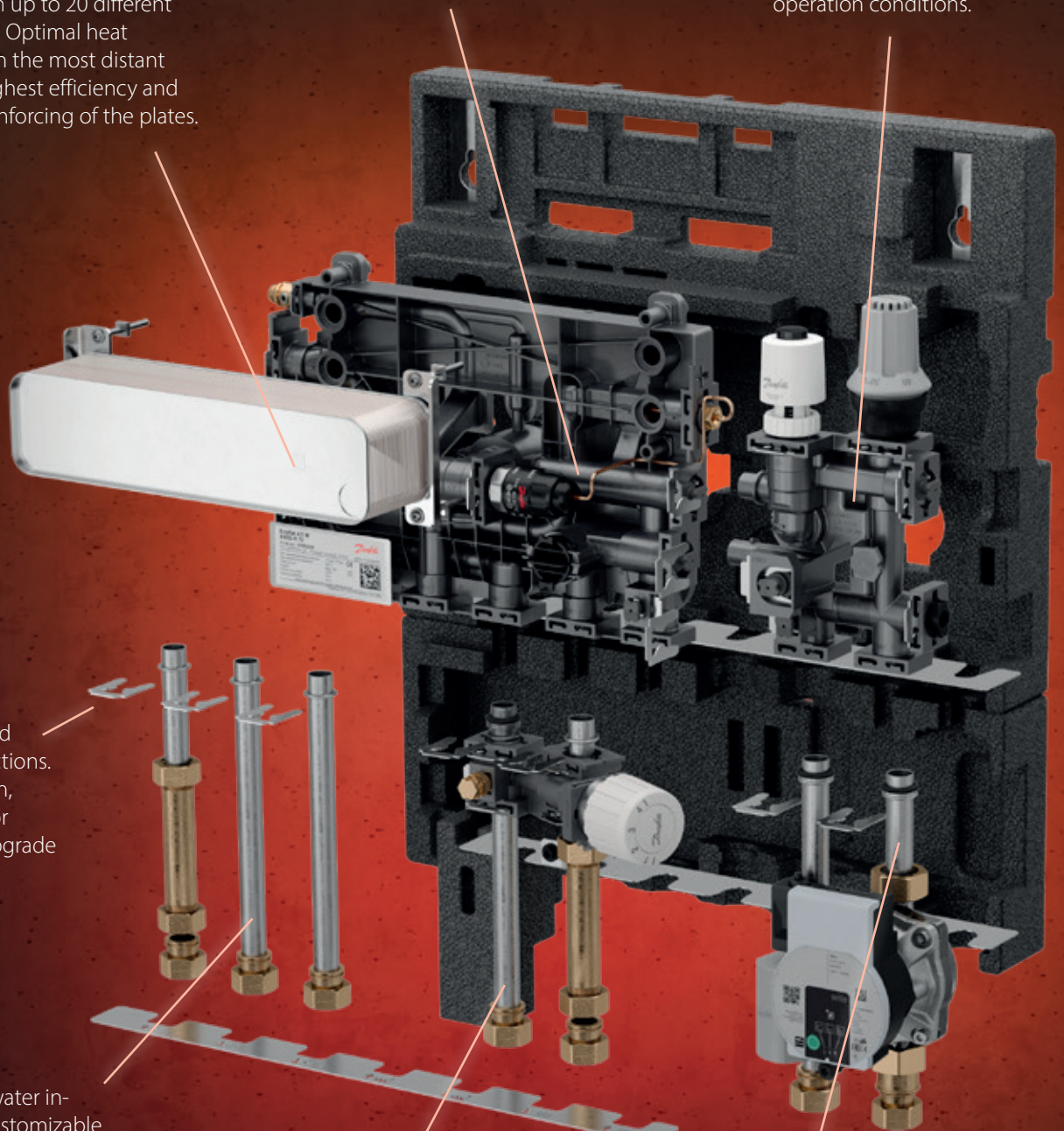


Top quality materials and components for optimum comfort and energy efficiency

2nd generation of Microplate Heat Exchanger with up to 20 different dimple shapes. Optimal heat transfer, even in the most distant corners. For highest efficiency and mechanical reinforcing of the plates.

'Body' made from glass-fiber reinforced PPS composite. Lightweight, limited heat emission and avoids scaling. Also contains built-in control components and provides more space for easier installation and service.

Detachable heating side 'body'. With flow temperature controls for optimal heating operation conditions.



Newly designed click-fit connections. Easy installation, maintenance or component upgrade without tools.



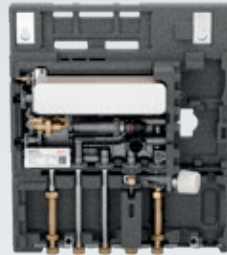
Hot and cold water in- and outlets. Customizable with pipes, with 80 mm or 110 mm water meter fitting pieces.

Insulated primary supply connection with optional summer by-pass. Fast response time for domestic hot water even when no heating is used. Includes a fitting piece for optional heat meter and corresponding sensor pocket.

Heating system connection. With options for radiator heating (model F) or underfloor heating (model M) including heating pump.

EvoFlat 4.0 Product overview

EvoFlat 4.0 series flat stations are designed to be customized to every single project requirement. The modular concept allows you to order the station exactly as you want it; nothing more, nothing less. You can find most of the standard options in the table below but do reach out to us for any special configurations. Almost everything is possible.

Type EvoFlat 4.0	EvoFlat 4.0 M 183B1xxx	EvoFlat 4.0 F 183B2xxx	EvoFlat 4.0 W 183B3xxx
			
Application	<ul style="list-style-type: none"> • Domestic Hot Water • Underfloor heating 	<ul style="list-style-type: none"> • Domestic Hot Water • Radiator heating 	<ul style="list-style-type: none"> • Domestic Hot Water
Heat Exchanger options	<ul style="list-style-type: none"> • Type 1-36 plates /45 kW • Type 2-46 plates /53 kW • Type 3-54 plates /60 kW • Type 4-70 plates /80 kW • Copper brazing • Stainless steel brazing 		
Hot and cold water connection options	<ul style="list-style-type: none"> • Stainless steel pipes • Pipes with 80 mm fitting pieces • Pipes with 110 mm fitting pieces • Mix of the above 		
Primary connection options	<ul style="list-style-type: none"> • Without summer by-pass • Temperature controlled summer by-pass • Manual controlled summer by-pass • Summer by-pass before heat meter or fitting piece • Summer by-pass after heat meter or fitting piece • Heat meter fitting piece • Danfoss SonoSelect® heat meter • Danfoss SonoSafe® heat meter 		
Heating control options	<ul style="list-style-type: none"> • Flow temperature controller 30-50°C • Electronic shut-off 	<ul style="list-style-type: none"> • Return temperature limiter 10-50°C • Manual shut-off • Electronic zone valve 	
Heating connection	<ul style="list-style-type: none"> • Safety thermostat at 55°C for electronic shut-off • Circulation pump (Wilo Para R) 	<ul style="list-style-type: none"> • Stainless steel pipes 	
External flat station options	<ul style="list-style-type: none"> • DHW circulation set with safety valve • High temperature connection set • Recess box 	<ul style="list-style-type: none"> • DHW circulation set with safety valve • Recess box 	<ul style="list-style-type: none"> • DHW circulation set with safety valve • Recess box
Related product options	<ul style="list-style-type: none"> • Danfoss Icon room control system • Danfoss SG/SGC/SGCi manifold 	<ul style="list-style-type: none"> • Danfoss TP programmable room thermostats • Danfoss RT non-programmable room thermostats 	

Any information, including, but not limited to information on selection of product, its application or use, product design, weight, dimensions, capacity or any other technical data in product manuals, catalogues descriptions, advertisements, etc. and whether made available in writing, orally, electronically, online or via download, shall be considered informative, and is only binding if and to the extent, explicit reference is made in a quotation or order confirmation. Danfoss cannot accept any responsibility for possible errors in catalogues, brochures, videos and other material. Danfoss reserves the right to alter its products without notice. This also applies to products ordered but not delivered provided that such alterations can be made without changes to form, fit or function of the product. All trademarks in this material are property of Danfoss A/S or Danfoss group companies. Danfoss and the Danfoss logo are trademarks of Danfoss A/S. All rights reserved.