

Installation Guide

# Optyma™ control

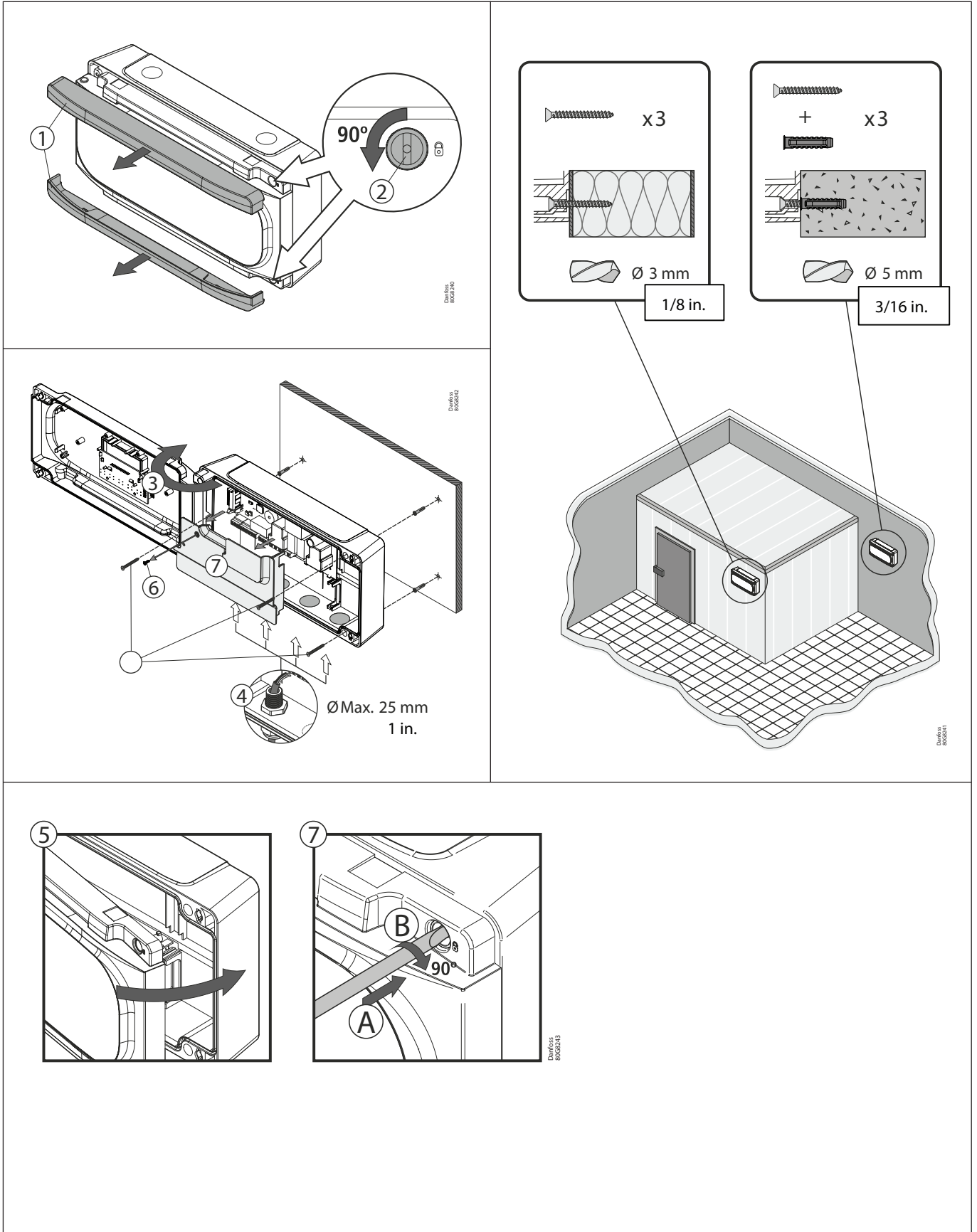
## AK-RC 251 mounting kit



084R8064



AN370611318819en-000101





**Note:** Make sure your printer is set to ACTUAL SIZE when printing.