

## Data Sheet

Gas detection unit  
**Accessory**

Type **GD Premium, Premium+, Premium Duplex, Premium Remote, Premium Flex and Premium Uptime**  
Next generation gas detection for industrial refrigeration



The Premium line gas detection units are used for monitoring and warning of hazardous gas concentrations. They can be used for detecting most commonly used refrigerants. Depending on the application and model, each unit is available with one or two of 4 sensor types.

The Premium line gas detection units are intended as Stand-alone, or connected to a central system like Gas Detection Controller Unit, or a PLC.

As stand-alone the on-board relays can be used for activation of alarm devices, while the Analog or RS485 Modbus connection to a central system allows additional centralized monitoring and alarm activation.

4 out of the 6 Premium models have integrated Display/keypad for direct access to the user interface

The gas detection units come with a factory default, 2-step alarm set-up ready for use. The user interface enables the user to configure two individual alarm settings. Alarm 1, a pre-alarm indicating the gas level has passed a predefined threshold 1, and - if the gas level passes predefined threshold 2 - the final alarm 2.

## Features

- Digital, factory configured and pre-calibrated gas detectors for plug-and-play installation (no adjustment required)
- Easy configuration via Display/keypad (some models) and intuitive user-interface; helps simplify operator handling and minimize risk of operational, settings and calibration errors
- Stand-alone (integrated relays) and/or flexible connection to central controller - by either Analog or RS485 open Modbus communications
- Wide selection of refrigerants, sensor types and detection ranges
- 2 Sensor versions available (different sensor types)
- Remote sensor location possible
- Fieldbus wiring - connect and power up to 96 sensors, wire length max. 900 meters (2953 ft) per segment; expansion modules permits additional segments
- Automatic self-diagnostics to ensure correct communication and operation
- Sensor seal cap to prevent premature exposure during installation
- Digital user interface ensures higher sensor accuracy
- Reduced risk of false alarms due to temperature compensated sensors
- Password protected alarm settings allowing authorized access only
- LED status signals and alarms
- Buzzer & Light option for local audio and visual alarms (Premium+, Premium Uptime)
- On-board acknowledge button to reset alarms and to verify that no gas leaks are present
- Service alerts on unit, controller or both, readable via service tool Display
- Quick and precise calibration procedures - either by Plug & Play replacement sensors or calibration with gas. No potentiometers or multi-meters required
- For improved safety and to optimize the lifetime of the sensor, degenerated sensors with too low sensitivity (<30%) are rejected during calibration process
- Conformity to EN 50271, EN 61010-1, ANSI/UL 61010 1, CAN/CSA-C22.2 No. 61010-1
- Enables regulatory compliance with EN 378:2016, ISO 5149:2014, IIR 2-2017, and ASHRAE 15:2016

## Functions

### Working principle/Operation

One (or two) sensor(s) are connected to the Premium sensor board via local bus (when two sensors connected, they must be of a different type). The Sensor board provides the power supply of the sensor(s) and prepares the measured data for digital communication.

The operation menu of the Premium software is accessed through the Display (if fitted), or the connected Gas Detection Controller, or via the dedicated GD Service tool (or PC tool). The Service tool (or PC tool) is plugged directly to the board of the unit. These interfaces with Display allow the unit configuration, setting of the unit alarm levels and calibration of the attached sensor(s).

The service tool (or PC tool) can be used on all units across the Basic, Premium and Heavy Duty platforms.

For Stand-alone units the alarm signals are handled by the unit software, which activates the integrated relays directly. For central controlled units the alarm signals are handled by the Gas Detection Controller (or a PLC) via the 4-20 mA (2-10V) analog output or the RS485 open Modbus communication.

For additional operational safety the changing of parameters is password protected allowing authorized access only. The factory default password can easily be customized.

**Table 1: Digital outputs with 3 relays**

| Action  | Reaction         | Reaction         | Reaction         | Reaction              | Reaction        | Reaction               |
|---|------------------|------------------|------------------|-----------------------|-----------------|------------------------|
|   | Relay 1 (Alarm1) | Relay 2 (Alarm2) | Flashlight X13-7 | Horn X13-6            | Relay 3 (Fault) | LED                    |
| <b>Gas signal &lt; alarm threshold 1</b>  | OFF              | OFF              | OFF              | OFF                   | ON              | GREEN                  |
| <b>Gas signal &gt; alarm threshold 1</b>  | ON               | OFF              | OFF              | OFF                   | ON              | RED Slow blinking      |
| <b>Gas signal &gt; alarm threshold 2</b>  | ON               | ON               | ON               | ON                    | ON              | RED Fast blinking      |
| <b>Gas signal ≥ alarm threshold 2, but ackn. button pressed</b>                 | ON               | ON               | ON               | OFF after delay<br>ON |                 | RED Fast blinking      |
| <b>Gas signal &lt; (alarm threshold 2 - hysteresis) but ≥ alarm threshold 1</b> | ON               | OFF              | OFF              | OFF                   | ON              | RED Slow blinking      |
| <b>Gas signal &lt; (alarm threshold 1 - hysteresis) but not acknowledged</b>    | OFF              | OFF              | OFF              | OFF                   | ON              | RED Very fast blinking |
| <b>No alarm, no fault</b>   | OFF              | OFF              | OFF              | OFF                   | ON              | GREEN                  |
| <b>No fault, but maintenance due</b>  | OFF              | OFF              | OFF              | OFF                   | ON              | GREEN Slow blinking    |
| <b>Communication error</b>  | OFF              | OFF              | OFF              | OFF                   | OFF             | YELLOW                 |

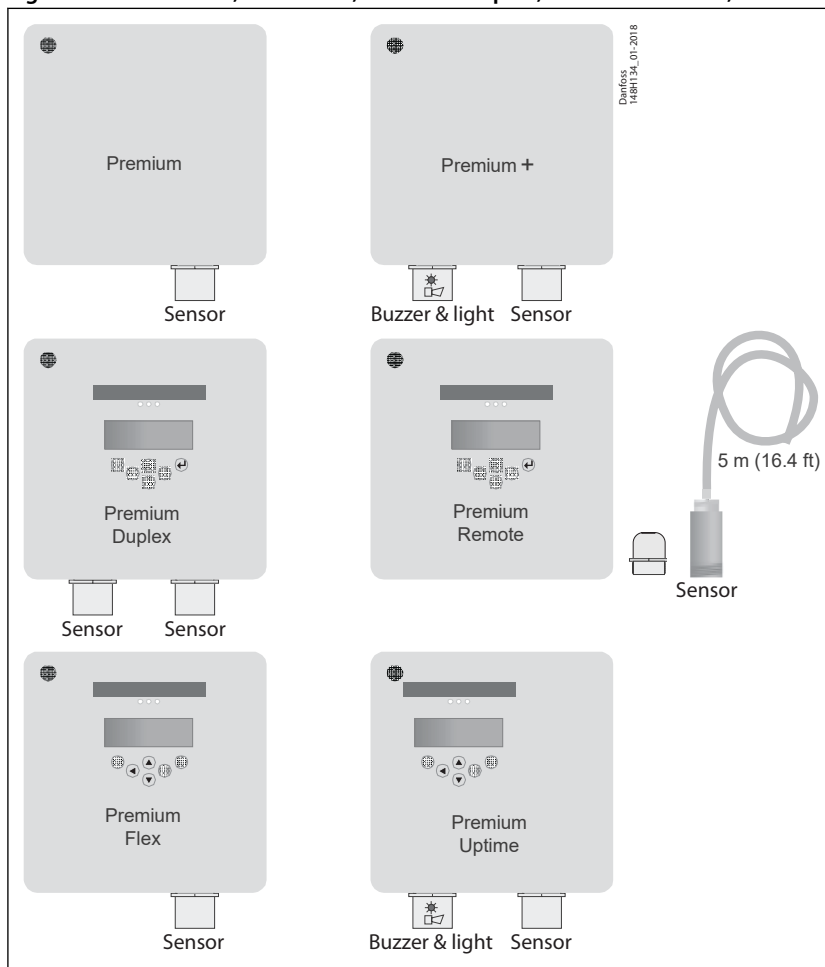
**Product specification**

**Design**

**General info**

- Cable gland not mounted but enclosed
- 4 mounting ears included
- Sensor head mounted bottom right (not Premium Remote)
- Alarm device (buzzer & 3 light alarm) mounted bottom left (only Premium +, Premium Uptime)

Figure 1: GD Premium, Premium+, Premium Duplex, Premium Remote, Premium Flex and Premium Uptime



**Gas types and thresholds**

Table 2: Gas types and thresholds

| Sensor                            | Sensor Type     | Range                            | Alarm1                  | Alarm2                  | Hysteresis |
|-----------------------------------|-----------------|----------------------------------|-------------------------|-------------------------|------------|
| Ammonia EC 100                    | Electrochemical | 0 – 100 ppm                      | 25 ppm                  | 35 ppm                  | 2 ppm      |
| Ammonia EC 300                    | Electrochemical | 0 – 300 ppm                      | 25 ppm                  | 150 ppm                 | 2 ppm      |
| Ammonia EC 1000                   | Electrochemical | 0 – 1000 ppm                     | 500 ppm                 | 900 ppm                 | 25 ppm     |
| Ammonia EC 5000                   | Electrochemical | 0 – 5000 ppm                     | 1000 ppm                | 4500 ppm                | 50 ppm     |
| Ammonia SC 1000                   | Semiconductor   | 0 – 1000 ppm                     | 500 ppm                 | 900 ppm                 | 25 ppm     |
| Ammonia SC 10000                  | Semiconductor   | 0 – 10000 ppm                    | 5000 ppm                | 9000 ppm                | 250 ppm    |
| Ammonia P LEL                     | Pellistor       | 0 – 100% LEL<br>(0 – 140000 ppm) | 21% LEL<br>(30000 ppm)  | 21% LEL<br>(30000 ppm)  | 1 % LEL    |
| CO <sub>2</sub> IR 20000 (2% Vol) | Infrared        | 0 – 2% Vol<br>(0 – 20000 ppm)    | 0.5 % Vol<br>(5000 ppm) | 0.9% Vol<br>(9000 ppm)  | 0.025% Vol |
| CO <sub>2</sub> IR 50000 (5% Vol) | Infrared        | 0 – 5% Vol<br>(0 – 50000 ppm)    | 1% Vol<br>(10000 ppm)   | 1.8% Vol<br>(18000 ppm) | .05% Vol   |

## Gas detection unit, Accessory

| Sensor                  | Sensor Type   | Range        | Alarm1  | Alarm2   | Hysteresis |
|-------------------------|---------------|--------------|---------|----------|------------|
| HCFC R123 SC 2000       | Semiconductor | 0 – 2000 ppm | 500 ppm | 900 ppm  | 25 ppm     |
| HCFC R401 SC 2000       | Semiconductor | 0 – 2000 ppm | 500 ppm | 900 ppm  | 25 ppm     |
| HFC R404A, R507 SC 2000 | Semiconductor | 0 – 2000 ppm | 500 ppm | 900 ppm  | 25 ppm     |
| HFC R134A SC 2000       | Semiconductor | 0 – 2000 ppm | 500 ppm | 900 ppm  | 25 ppm     |
| HC R290/Propane P 5000  | Pellistor     | 0 – 5000 ppm | 800 ppm | 2500 ppm | 40 ppm     |

### **i** NOTE:

Hysteresis = 5% of Alarm1 (rounded up to the next higher integer).

Alarm thresholds can have the same value, therefore the relays and/or the buzzer and LED can be triggered together.

LEL/LFL=Lower explosive limit / Lower flammability limit.

"It is not recommended to set alarm levels below 10% or above 90% of the measuring range."

## Electrical

Table 3: Electrical

| Details                               | Description   |
|---------------------------------------|---|
| Power supply                          | 24 V DC $\pm$ 20 %, reverse-polarity protected  |
| Power consumption (24 V DC)           | Max. 210 mA (5.1 VA)  |
| Alarm relays (3)                      | 250 V AC, 5 A, potential-free, contacts (SPDT)  |
| Transistor output (2) (connector X13) | 24 V DC / 0.1 A (switching to plus) (only at 24 V DC power supply)  |
|                                       | Proportional, overload and short-circuit proof,<br>load $\leq$ 500 Ohm  |
| Analog output signal (1)              | 4 – 20 mA = measuring range<br>3.0 < 4 mA = underrange<br>> 20 - 21.2 mA = overrange<br>2.0 mA = fault (configurable) |
| Output for local bus                  | 5 V DC, 250 mA max. Overload, short-circuit and reverse-polarity protected  |

## Ambient conditions

Table 4: Ambient conditions

| Details             | Description                            |
|---------------------|--|
| Temperature range   | Model dependant. See ordering section. |
| Humidity range      | 15 – 95 % RH not-condensing            |
| Storage temperature | +5 °C to +30 °C (+41 °F to +86 °F)     |
| Storage time        | 12 months                              |

## Serial interface

Table 5: Serial interface

| Details   | Description         |
|-----------|---------------------|
| Local bus | 1-wire / 19200 Baud |
| Fieldbus  | RS 485 / 19200 Baud |
| Tool bus  | 2-wire / 19200 Baud |

## Physical

Table 6: Physical

| Details                      | Description    |                         |
|------------------------------|----------------|-------------------------|
| Housing                      | Type C         | Type E (Premium Uptime) |
| Material                     | Polycarbonate  |                         |
| Combustion                   | UL 94 V2       |                         |
| Housing colour               | Black          |                         |
| Dimensions (W x H x D in mm) | 130 x 130 x 75 | 130 x 130 x 99          |
| Weight (kg)                  | Approx. 0.6 kg | Approx. 0.7 kg          |
| Protection class             | IP65           |                         |
| Installation                 | Wall mounting  |                         |

| Details  | Description   |
|--|---|
| <b>Cable entry</b>                                     | Standard 6 x M20/25   |
| <b>Wire connection:</b>                                |   |
| <b>Local bus (SC2)</b>                                 | 3-pin connector   |
| <b>Digital input, analog output</b>                    | Screw-type terminal min. 0.25 mm <sup>2</sup> , max. 1.3 mm <sup>2</sup> (min. 25 AWG, max. 17 AWG) |
| <b>Power supply, relays</b>                            | Screw-type terminal min. 0.25 mm <sup>2</sup> , max. 2.5 mm <sup>2</sup> (min. 25 AWG, max. 14 AWG) |
| <b>Cable lengths local bus for Remote Sensor Board</b> | Max. 5 m (16.4 ft.)   |

## Display (not Premium and Premium+)

Table 7: Display (not Premium and Premium+)

| Details                  | Description  |
|--------------------------|--|
| <b>Temperature range</b> | -20 °C to +50 °C (-4 °F to 122 °F)                                   |
| <b>LCD</b>               | Two lines, 16 characters each, background highlighted in two colours |
| <b>Operation</b>         | Menu driven via six push-buttons                                     |
| <b>Power consumption</b> | 5 V, 60 mA, 0.3 VA   |

## Status LED

Table 8: Status LED

| Details                 | Description  |
|-------------------------|--|
| <b>Colour / Mode</b>    | Red / yellow / green (alarm – fault – operation - service) |
| <b>Protection class</b> | IP65   |

## Warning buzzer

Table 9: Warning buzzer

| Details                  | Description                  |
|--------------------------|------------------------------|
| <b>Acoustic pressure</b> | > 85 dB (A) (0.1 m distance) |
| <b>Frequency</b>         | 2300 Hz                      |
| <b>Protection class</b>  | IP65                         |

## UPS (only Premium Uptime)

Table 10: UPS (only Premium Uptime)

| Details                                 | Description              |
|---|--------------------------|
| <b>Power unit with wide range input</b> | 90 – 240 V AC - 50/60 Hz |
| <b>Output rating</b>                    | 15 VA                    |
| <b>Rechargeable battery</b>             | 12 V, 0.8 Ah             |
| <b>Operating time</b>                   | > 60 min                 |

## Service & maintenance

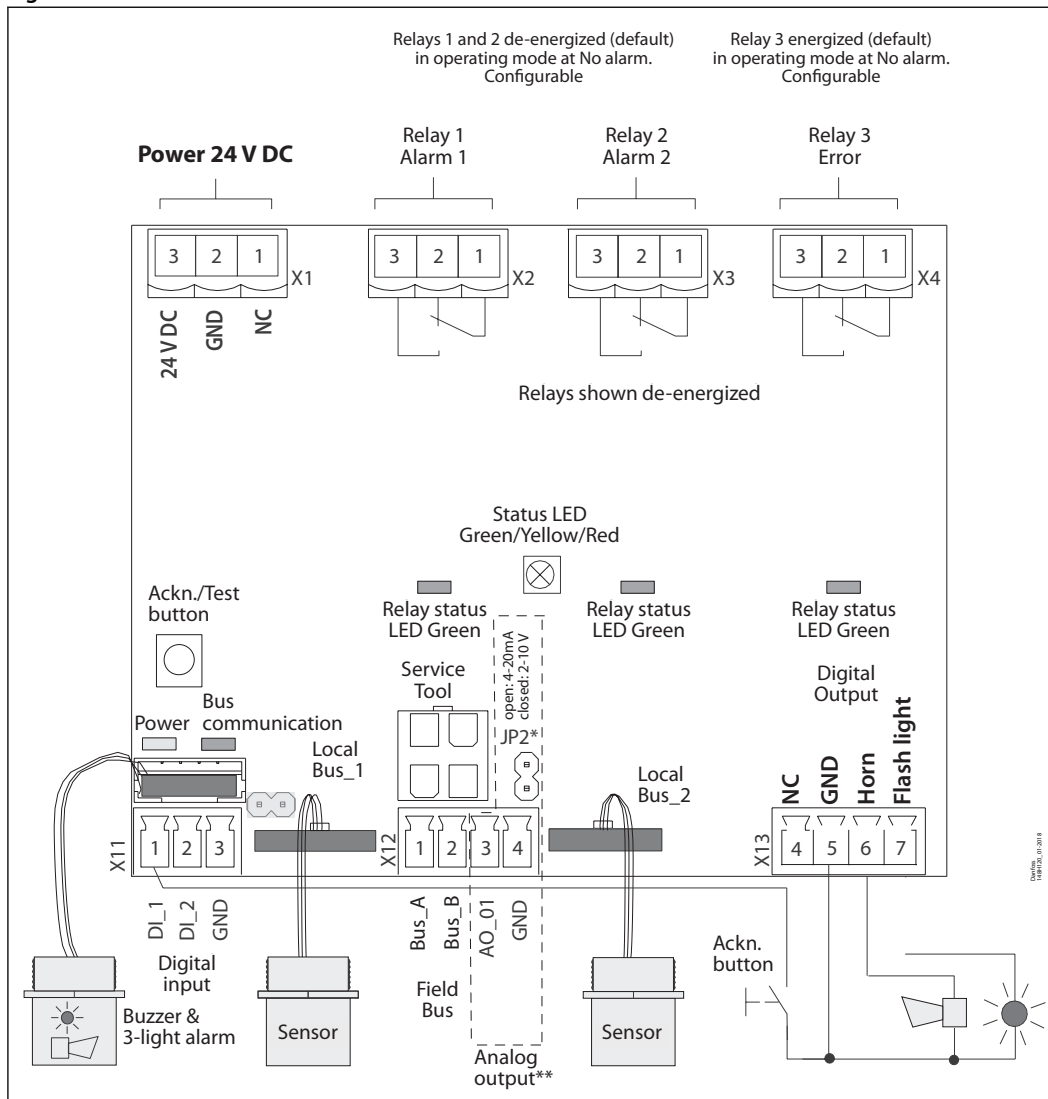
The Premium line gas detection units are calibrated either by replacing of sensor heads or by calibration with gas.

Plug & Play replacement sensors are pre-calibrated and factory certified for quick and easy calibration procedure. The sensor is connected to the local bus via a plug connection enabling easy and simple exchange of sensor instead of a calibration. The internal X-change routine recognizes the exchanged sensor during the exchange process and restarts the measurement mode automatically. An LED indicates the correct procedure of the exchange operation. To ensure the proper functioning of the units and to prevent human errors, the sensor head can only be replaced by the same type and ppm range (exact replacement) that match the configuration. If a different sensor head is installed, the GD unit will show a communication error.

As an alternative, calibration with gas can be performed via the service tool (or PC tool), calibration gas with correct concentration and the Danfoss calibration adapter. The Danfoss gas detection units have an integrated, digital calibration interface and procedure, which makes the calibration process easy, accurate, and time-saving. No potentiometers or multi-meters required for the calibration. The calibration procedure requires significantly less calibration gas per calibration compared to traditional routines.

## Electrical connection

Figure 2: Electrical connection



### Status LED:

- GREEN is power on
  - flashing if maintenance needed
- YELLOW is an indicator of Error
  - when the sensor head is disconnected or not the expected type
  - AO is activated but nothing connected
- RED on alarm, similar to the Buzzer & light alarm.

### Ackn. -/Test button:

- TEST
  - The button must be pressed for 20 sec.
  - Alarm1 and Alarm2 is simulated, stop on release
- ACKN
  - Pressed while Alarm2, the audible warning switches off and goes back on after 5 min. when the alarm situation is still active

\* JP2 open → AO 4 – 20 mA (Default)

\* JP2 closed → AO 2 – 10 Volt

### NOTE:

\*\* A resistor comes installed on the analog output connections – if analog output is used, remove the resistor.

### Fieldbus loop

Each GD controller can handle up to 96 sensors and handle any mix of individual Gas detection units of the types Basic, Premium and Heavy Duty.

The max. recommended loop wire length is 900 meter (2953 ft) per segment.

With additional segments (and additional controller expansion modules) the max recommended loop wire length is 7200 meter 23622 ft).

The controller and the last GDU in each segment must be provided with a resistor of 560 Ohm. A  $U_{min}$  of 16 V DC must be secured at any spot in the loop.

Figure 3: how to make proper connections between the controller and each GDU

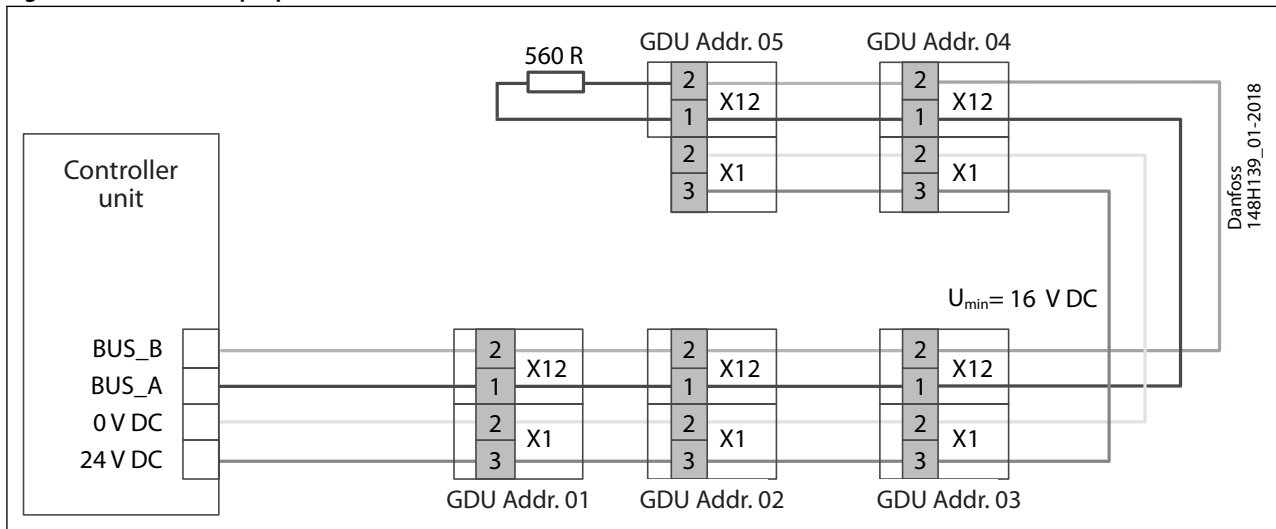
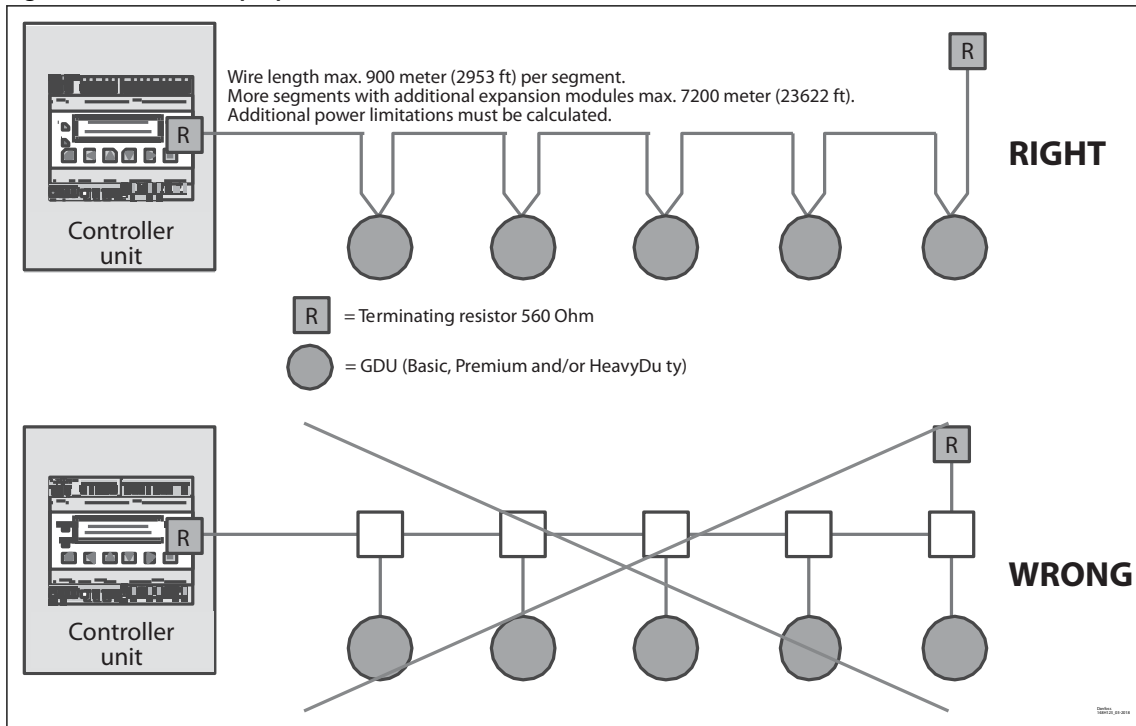


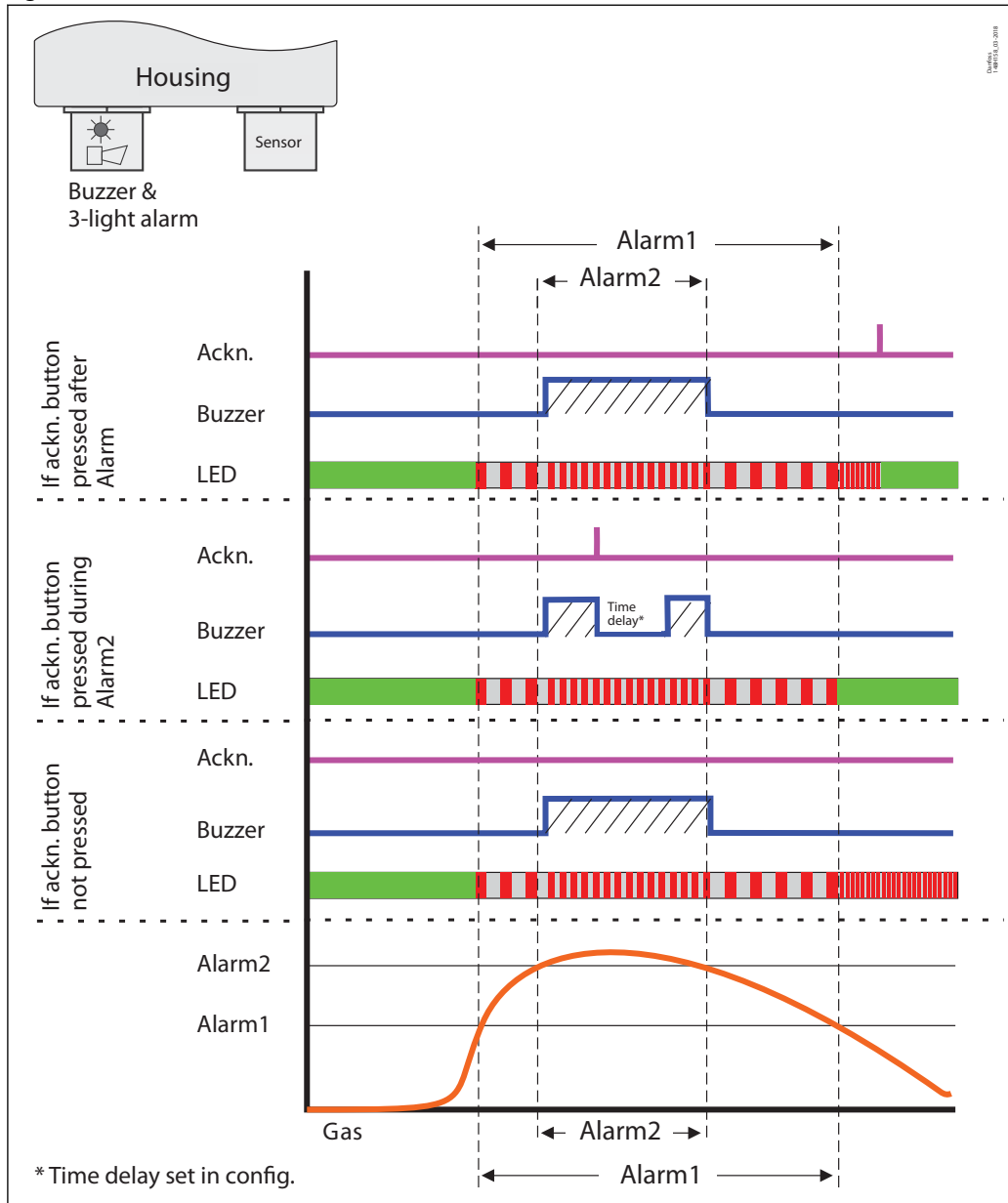
Figure 4: how to make proper connections between the controller and each GDU





## Alarm scheme

Figure 5: Alarm scheme



### Buzzer & light

|  |                               |
|--|-------------------------------|
|  | Blinking (2 sec.)             |
|  | Fast blinking (1 sec.)        |
|  | Very fast blinking (0.1 sec.) |
|  | Buzzer on                     |
|  | Static, Power LED             |

## Ordering

**Table 11: Ordering**

| Type                  | Description  |
|-----------------------|--|
| <b>Premium</b>        | Standard   |
| <b>Premium +</b>      | Standard + Buzzer & light warning device   |
| <b>Premium Duplex</b> | Standard + 2nd sensor + Display and keyboard   |
| <b>Premium Remote</b> | Remote sensor (stainless steel) with 5m cable (2nd cable gland needed) not mounted but enclosed + Display and keyboard |
| <b>Premium Flex</b>   | Standard + Display and keyboard  |
| <b>Premium Uptime</b> | Standard + Buzzer & light warning device + Display and keyboard + UPS  |

**Table 12: Ordering standards**

| Type | Model                 | Refrigerant | Sensor                     | ppm range | Alarm ppm | 2nd Sensor ppm (Alarm ppm) | Remote sensor ppm (Alarm ppm) | Buzzer & Light | Display | UPS | Temp. Range °C | Temp. Range °F | Code number     |                 |
|------|-----------------------|-------------|----------------------------|-----------|-----------|----------------------------|-------------------------------|----------------|---------|-----|----------------|----------------|-----------------|-----------------|
| GDA  | <b>Premium</b>        | Ammonia     | Electro-chemical           | 0 – 100   | 25/35     |                            |                               |                |         |     | -30 to +50     | -22 to 122     | <b>148H6002</b> |                 |
|      | <b>Premium+</b>       | Ammonia     | Electro-chemical           | 0 – 100   | 25/35     |                            |                               | x              |         |     | -30 to +50     | -22 to 122     | <b>148H6003</b> |                 |
|      | <b>Premium Duplex</b> | Ammonia     | Electro-chemical Pellistor | 0 – 100   | 25/35     | 0 – 140000 (30000)         |                               |                | x       |     | -20 to +50     | -4 to 122      | <b>148H6004</b> |                 |
|      | <b>Premium Remote</b> | Ammonia     | Electro-chemical           |           |           |                            | 0 – 100 (25/35)               |                | x       |     | -20 to +50     | -4 to 122      | <b>148H6005</b> |                 |
|      | <b>Premium Flex</b>   | Ammonia     | Electro-chemical           | 0 – 100   | 25/35     |                            |                               |                | x       |     | -20 to +50     | -4 to 122      | <b>148H6006</b> |                 |
|      | <b>Premium Uptime</b> | Ammonia     | Electro-chemical           | 0 – 100   | 25/35     |                            |                               | x              | x       | x   | 0 to +40       | 32 to 104      | <b>148H6007</b> |                 |
|      | <b>Premium</b>        | Ammonia     | Electro-chemical           | 0 – 300   | 25/150    |                            |                               |                |         |     |                | -30 to +50     | -22 to 122      | <b>148H6010</b> |
|      | <b>Premium+</b>       | Ammonia     | Electro-chemical           | 0 – 300   | 25/150    |                            |                               |                | x       |     |                | -30 to +50     | -22 to 122      | <b>148H6011</b> |
|      | <b>Premium Duplex</b> | Ammonia     | Electro-chemical Pellistor | 0 – 300   | 25/150    | 0 – 140000 (30000)         |                               |                |         | x   |                | -20 to +50     | -4 to 122       | <b>148H6012</b> |
|      | <b>Premium Flex</b>   | Ammonia     | Electro-chemical           | 0 – 300   | 25/150    |                            |                               |                |         | x   |                | -20 to +50     | -4 to 122       | <b>148H6013</b> |
|      | <b>Premium</b>        | Ammonia     | Electro-chemical           | 0 – 1000  | 500/900   |                            |                               |                |         |     |                | -30 to +50     | -22 to 122      | <b>148H6016</b> |
|      | <b>Premium+</b>       | Ammonia     | Electro-chemical           | 0 – 1000  | 500/900   |                            |                               |                | x       |     |                | -30 to +50     | -22 to 122      | <b>148H6017</b> |
|      | <b>Premium Duplex</b> | Ammonia     | Electro-chemical Pellistor | 0 – 1000  | 500/900   | 0 – 140000 (30000)         |                               |                |         | x   |                | -20 to +50     | -4 to 122       | <b>148H6018</b> |

## Gas detection unit, Accessory

| Type         | Model          | Refrigerant   | Sensor                         | ppm range                     | Alarm ppm   | 2nd Sensor ppm (Alarm ppm) | Remote sensor ppm (Alarm ppm) | Buzzer & Light | Display | UPS | Temp. Range °C | Temp. Range °F | Code number |          |
|--------------|----------------|---|--------------------------------|-------------------------------|-------------|----------------------------|-------------------------------|----------------|---------|-----|----------------|----------------|-------------|----------|
| GDA          | Premium Remote | Ammonia   | Electro-chemical               |                               |             |                            | 0 – 1000 (500/900)            |                | x       |     | -20 to +50     | -4 to 122      | 148H6019    |          |
|              | Premium Flex   | Ammonia   | Electro-chemical               | 0 – 1000                      | 500/900     |                            |                               |                | x       |     | -20 to +50     | -4 to 122      | 148H6020    |          |
|              | Premium Uptime | Ammonia   | Electro-chemical               | 0 – 1000                      | 500/900     |                            |                               | x              | x       | x   | 0 to +40       | 32 to 104      | 148H6021    |          |
|              | Premium        | Ammonia   | Semiconductor                  | 0 – 1000                      | 500/900     |                            |                               |                |         |     | -10 to +50     | 14 to 122      | 148H6025    |          |
|              | Premium+       | Ammonia   | Semiconductor                  | 0 – 1000                      | 500/900     |                            |                               | x              |         |     | -10 to +50     | 14 to 122      | 148H6026    |          |
|              | Premium Flex   | Ammonia   | Semiconductor                  | 0 – 1000                      | 500/900     |                            |                               |                | x       |     |                | -10 to +50     | 14 to 122   | 148H6027 |
|              | Premium+       | Ammonia   | Electro-chemical               | 0 – 5000                      | 1000/4500   |                            |                               | x              |         |     |                | -30 to +50     | -22 to 122  | 148H6028 |
|              | Premium Remote | Ammonia   | Electro-chemical               |                               |             |                            | 0 – 5000 (1000/4500)          |                | x       |     |                | -20 to +50     | -4 to 122   | 148H6029 |
|              | Premium Uptime | Ammonia   | Electro-chemical               | 0 – 5000                      | 1000/4500   |                            |                               | x              | x       | x   |                | 0 to +40       | 32 to 104   | 148H6030 |
|              | Premium        | Ammonia   | Semiconductor                  | 0 – 10000                     | 5000/9000   |                            |                               |                |         |     |                | -10 to +50     | 14 to 122   | 148H6032 |
|              | Premium+       | Ammonia   | Semiconductor                  | 0 – 10000                     | 5000/9000   |                            |                               | x              |         |     |                | -10 to +50     | 14 to 122   | 148H6033 |
|              | Premium Remote | Ammonia   | Semiconductor                  |                               |             |                            | 0 – 10000 (5000/9000)         |                | x       |     |                | -10 to +50     | 14 to 122   | 148H6034 |
|              | Premium+       | Ammonia   | Pellistor                      | 0 – 100% LEL (0 – 140000 ppm) | 30000       |                            |                               |                | x       |     |                | -25 to +50     | -13 to 122  | 148H6036 |
|              | Premium Duplex | Ammonia   | Semiconductor Pellistor        | 0 – 1000                      | 500/900     | 0 – 140000 (30000)         |                               |                | x       |     |                | -10 to +50     | 14 to 122   | 148H6037 |
| Premium Flex | Ammonia        | Pellistor   | 0 – 100 % LEL (0 – 140000 ppm) | 30000                         |             |                            |                               | x              |         |     | -20 to +50     | -4 to 122      | 148H6038    |          |
| GDC          | Premium Flex   | CO <sub>2</sub>   | Infrared                       | 0 – 2 % Vol (0 – 20000 ppm)   | 5000/9000   |                            |                               |                | x       |     | -20 to +50     | -4 to 122      | 148H6040    |          |
|              | Premium Flex   | CO <sub>2</sub>   | Infrared                       | 0 – 5% Vol (0 – 50000 ppm)    | 10000/18000 |                            |                               |                | x       |     | -20 to +50     | -4 to 122      | 148H6041    |          |
| GDHC         | Premium        | R123  | Semiconductor                  | 0 – 2000                      | 500/900     |                            |                               |                |         |     | -30 to +50     | -22 to 122     | 148H6042    |          |
|              | Premium+       | R123  | Semiconductor                  | 0 – 2000                      | 500/900     |                            |                               | x              | x       |     | -30 to +50     | -22 to 122     | 148H6043    |          |
|              | Premium Flex   | R123  | Semiconductor                  | 0 – 2000                      | 500/900     |                            |                               |                | x       |     | -20 to +50     | -4 to 122      | 148H6044    |          |
| GDHC         | Premium Flex   | R401a, R22, R401b, R402a, R402b, R403a, R408a, R409a, R411a | Semiconductor                  | 0 – 2000                      | 500/900     |                            |                               |                | x       |     | -20 to +50     | -4 to 122      | 148H6062    |          |
|              | Premium        | R401a, R22, R401b, R402a, R402b, R403a, R408a, R409a, R411a | Semiconductor                  | 0 – 2000                      | 500/900     |                            |                               |                |         |     | -30 to +50     | -22 to 122     | 148H6063    |          |

## Gas detection unit, Accessory

| Type | Model        | Refrigerant  | Sensor        | ppm range | Alarm ppm | 2nd Sensor ppm (Alarm ppm) | Remote sensor ppm (Alarm ppm) | Buzzer & Light | Display | UPS | Temp. Range °C | Temp. Range °F | Code number |
|------|--------------|--|---------------|-----------|-----------|----------------------------|-------------------------------|----------------|---------|-----|----------------|----------------|-------------|
| GDHF | Premium      | R404a, R507a, R32, R125, R407c, R434a, R488a, R410a, R452b, R143b                  | Semiconductor | 0 – 2000  | 500/900   |                            |                               |                |         |     | -30 to +50     | -22 to 122     | 148H6047    |
|      | Premium+     | R404a, R507a, R32, R125, R407c, R434a, R488a, R410a, R452b, R143b                  | Semiconductor | 0 – 2000  | 500/900   |                            |                               | x              |         |     | -30 to +50     | -22 to 122     | 148H6048    |
|      | Premium Flex | R404a, R507a, R32, R125, R407c, R434a, R488a, R410a, R452b, R143b                  | Semiconductor | 0 – 2000  | 500/900   |                            |                               |                | x       |     | -20 to +50     | -4 to 122      | 148H6049    |
|      | Premium      | R134a, R407a, R416a, R417a, R422a, R422d, R427a, R437a, R438a, R449a, R407f, R450a | Semiconductor | 0 – 2000  | 500/900   |                            |                               |                |         |     | -30 to +50     | -22 to 122     | 148H6050    |
| GDHF | Premium+     | R134a, R407a, R416a, R417a, R422a, R422d, R427a, R437a, R438a, R449a, R407f, R450a | Semiconductor | 0 – 2000  | 500/900   |                            |                               | x              |         |     | -30 to +50     | -22 to 122     | 148H6051    |
|      | Premium Flex | R134a, R407a, R416a, R417a, R422a, R422d, R427a, R437a, R438a, R449a, R407f, R450a | Semiconductor | 0 – 2000  | 500/900   |                            |                               |                | x       |     | -20 to +50     | -4 to 122      | 148H6052    |
| GDH  | Premium      | R290/Propane   | Pellistor     | 0 – 5000  | 800/2500  |                            |                               |                |         |     | -30 to +50     | -22 to 122     | 148H6053    |
|      | Premium+     | R290/Propane   | Pellistor     | 0 – 5000  | 800/2500  |                            |                               | x              |         |     | -30 to +50     | -22 to 122     | 148H6054    |
|      | Premium Flex | R290/Propane   | Pellistor     | 0 – 5000  | 800/2500  |                            |                               |                | x       |     | -20 to +50     | -4 to 122      | 148H6055    |

## Spare parts and accessories

**Table 13: Spare parts and accessories**

| Description  | Code number |
|--|-------------|
| Replacement sensor - Ammonia EC 100  | 148H6200    |
| Replacement sensor - Ammonia EC 300  | 148H6201    |
| Replacement sensor - Ammonia EC 1000   | 148H6202    |
| Replacement sensor - Ammonia SC 1000   | 148H6203    |
| Replacement sensor - Ammonia EC 5000   | 148H6204    |
| Replacement sensor - Ammonia SC 10000  | 148H6205    |
| Replacement sensor - Ammonia P LEL   | 148H6206    |
| Replacement sensor - CO <sub>2</sub> IR 20000  | 148H6207    |
| Replacement sensor - CO <sub>2</sub> IR 50000  | 148H6208    |
| Replacement sensor - HCFC R123 SC 2000   | 148H6209    |
| Replacement sensor HCFC R401a SC 2000  | 148H6243    |
| Replacement sensor - HFC R404A, R507 SC 2000   | 148H6210    |
| Replacement sensor - HFC R134a SC 2000   | 148H6211    |
| Replacement sensor HCFC R401a SC 2000  | 148H6243    |
| Replacement sensor - HC R290/Propane P 5000  | 148H6212    |
| Remote sensor - Ammonia EC 100 (length: 5m (16.4 ft.) - External thread M30 x 1.5)   | 148H6213    |
| Remote sensor - Ammonia EC 1000 (length: 5m (16.4 ft.) - External thread M30 x 1.5)  | 148H6214    |
| Remote sensor - Ammonia EC 5000 (length: 5m (16.4 ft.) - External thread M30 x 1.5)  | 148H6215    |
| Remote sensor - Ammonia SC 10000 (length: 5m (16.4 ft.) - External thread M30 x 1.5) | 148H6216    |
| Controller unit  | 148H6231    |
| Controller solution (controller + enclosure)   | 148H6221    |
| Uptime solution (UPS for controller)   | 148H6237    |
| Controller expansion module  | 148H6222    |
| Service tool   | 148H6224    |
| PC Tool  | 148H6235    |
| Calibration adapter  | 148H6232    |
| Calibration adapter for remote sensors   | 148H6233    |
| Buzzer & light - acoustic buzzer and optic led                                       | 148H6225    |
| Air duct set   | 148H6236    |
| Seal cap   | 148H6227    |
| Remote kit   | 148H6238    |
| Splash guard   | 148H6226    |
| NPT adapter for remote sensor (M30 x 1.5 to NPT ¾ in.)                               | 148H6234    |
| Gateway for controller   | 148H6228    |
| Display replacement for premium units  | 148H6250    |
| Display replacement for Premium Uptime units   | 148H6251    |

## Accessories overview

### Controller unit

Used for a centralized monitoring and warning. The input signals for the controller are collected via RS485 Modbus or analog communication. The controller can handle up to 96 digital sensors via Fieldbus and four (4) analog input. An additional 28 analog input is possible using seven (7) expansion modules (4 – 20 mA signal interface). The total number of connected sensors should not exceed 128 sensors. The controller unit can be employed as pure analog controller, as analog/digital, or as digital controller. Configuration is menu-driven via the keypad. For fast and easy configuration, the PC Tool is recommended.

### Controller solution

Controller unit placed in an enclosure ready to be connected to a power source. A separate UPS for the controller is available.

### Controller expansion module

The gas detection Controller Expansion module is used for expansion of the cable coverage in terms of number of loops and the total wire length. Each Controller Unit can handle up to 7 Expansion modules allowing additional 7 segments with a total of 7200 meters (23622 ft.) wiring and a total of 32 relays for alarm device circuits.

### **Service tool**

For interface with units with no display (Basic, Basic+, Premium, Premium+). Acts as a portable display and can be connected to all Danfoss gas detection units. (Heavy Duty w. adapter).

### **PC tool**

The PC tool is a menu-driven and standalone software used for easy addressing, parameter setting, calibration, and data logging of the Basic, Premium and Heavy Duty gas detection units, and the controller unit.

### **Calibration adapter**

The calibration adapter is required for connecting the calibration gas container, via the flow regulator, to the sensor head on the gas detection units. (Two variants, One for Basic and Premium plastic head sensors; one for heavy duty and Premium remote metal head sensors.).

### **Buzzer & light - acoustic buzzer and optic led**

Can be installed in Basic or Premium units providing a local alarm.

### **Air duct set**

The air duct set is specially designed to capture the airflow in air ducts. It can be connected to the standard sensor heads, except from Heavy Duty gas detection units.

### **Seal cap**

Airtight seal cap to protect the sensor head against premature exposure during installation. The seal cap is mounted on new sensors (complete units and replacement sensors) but is also available as an accessory.

### **Remote kit**

Enabling installation of a sensor head in plastic housing 5m (16.4 ft.) from the unit. This means that the gas detection unit can be placed outside the room where the sensor is placed to detect hazardous gases, allowing reading of and interfacing with the unit without entering the dedicated space. Basic and Premium gas detection units.

### **Splash guard**

To protect the sensor head against water exposure during wash-down cleaning and rinsing operations.

### **NPT adapter**

The NPT adapter is a steel fitting for installation of remote sensors into NPT threads; it converts the standards M30 X 1.5 thread of the Stainless Steel remote sensor head into an External NPT 3/4" thread for more convenient installation.

### **Gateway for controller**

The gateway is an addition to the controller and used for communicating via Modbus TCP/IP.

**Certificates, declarations and approvals**


The list contains all certificates, declarations, and approvals for this product type. Individual code number may have some or all of these approvals, and certain local approvals may not appear on the list.

Some approvals may change over time. You can check the most current status at danfoss.com or contact your local Danfoss representative if you have any questions.

**Table 14: Valid Approvals**

| Type       | File name       | Document type             | Document topic | Approval authority |
|------------|-----------------|---------------------------|----------------|--------------------|
| <b>GD</b>  | 500000219230.AA | Manufacturers Declaration | Similarity     | Danfoss            |
| <b>GDA</b> | 148R6115.AA     | EU Declaration            | EMCD/LVD       | Danfoss            |

**Table 15: Compliance**

|   |   |
|---|---|
|  | EMC directives 2014/30/EU   |
|   | Low voltage directive 2014/35/EU  |
|   | Conformity to EN 50271, EN 61010-1  |
|   | ETL listed to UL 61010-1 and CSA C22.2 No.61010-1   |
|   | Enables regulatory compliance with EN 378:2016, ISO 5149:2014, IAR 2-2017, and ASHRAE 15:2016 |

## Online support

Danfoss offers a wide range of support along with our products, including digital product information, software, mobile apps, and expert guidance. See the possibilities below.

### The Danfoss Product Store



The Danfoss Product Store is your one-stop shop for everything product related—no matter where you are in the world or what area of the cooling industry you work in. Get quick access to essential information like product specs, code numbers, technical documentation, certifications, accessories, and more.

Start browsing at [store.danfoss.com](https://store.danfoss.com).

### Find technical documentation



Find the technical documentation you need to get your project up and running. Get direct access to our official collection of data sheets, certificates and declarations, manuals and guides, 3D models and drawings, case stories, brochures, and much more.

Start searching now at [www.danfoss.com/en/service-and-support/documentation](https://www.danfoss.com/en/service-and-support/documentation).

### Danfoss Learning



Danfoss Learning is a free online learning platform. It features courses and materials specifically designed to help engineers, installers, service technicians, and wholesalers better understand the products, applications, industry topics, and trends that will help you do your job better.

Create your Danfoss Learning account for free at [www.danfoss.com/en/service-and-support/learning](https://www.danfoss.com/en/service-and-support/learning).

### Get local information and support



Local Danfoss websites are the main sources for help and information about our company and products. Find product availability, get the latest regional news, or connect with a nearby expert—all in your own language.

Find your local Danfoss website here: [www.danfoss.com/en/choose-region](https://www.danfoss.com/en/choose-region).

### Spare Parts



Get access to the Danfoss spare parts and service kit catalog right from your smartphone. The app contains a wide range of components for air conditioning and refrigeration applications, such as valves, strainers, pressure switches, and sensors.

Download the Spare Parts app for free at [www.danfoss.com/en/service-and-support/downloads](https://www.danfoss.com/en/service-and-support/downloads).

Any information, including, but not limited to information on selection of product, its application or use, product design, weight, dimensions, capacity or any other technical data in product manuals, catalogues descriptions, advertisements, etc. and whether made available in writing, orally, electronically, online or via download, shall be considered informative, and is only binding if and to the extent, explicit reference is made in a quotation or order confirmation. Danfoss cannot accept any responsibility for possible errors in catalogues, brochures, videos and other material. Danfoss reserves the right to alter its products without notice. This also applies to products ordered but not delivered provided that such alterations can be made without changes to form, fit or function of the product. All trademarks in this material are property of Danfoss A/S or Danfoss group companies. Danfoss and the Danfoss logo are trademarks of Danfoss A/S. All rights reserved.