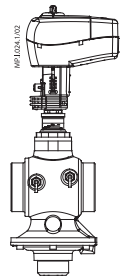
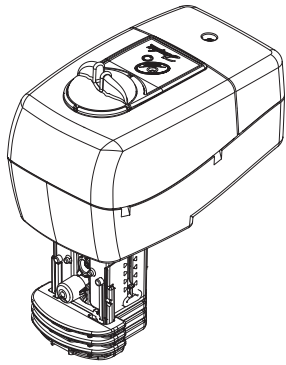


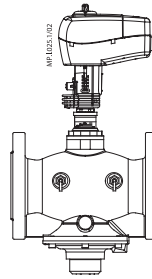
Operating Guide

NovoCon® M / 73697030

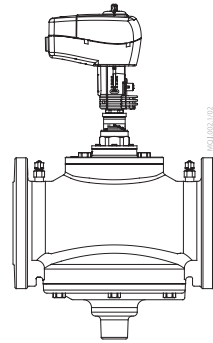
NovoCon® M



NovoCon® M +
AB-QM NovoCon
(DN 40/50)

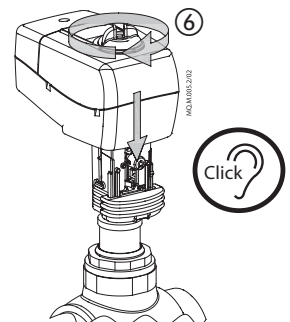
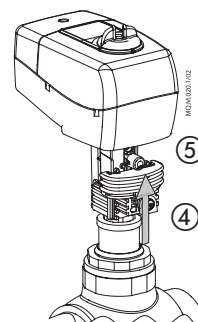
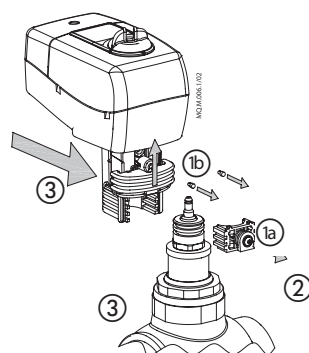
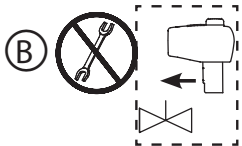
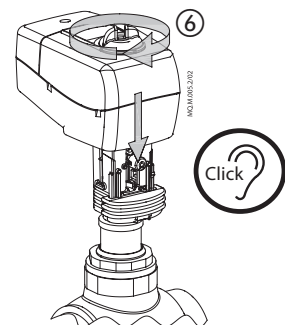
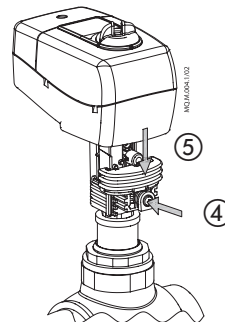
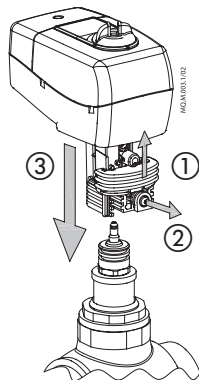
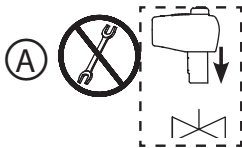
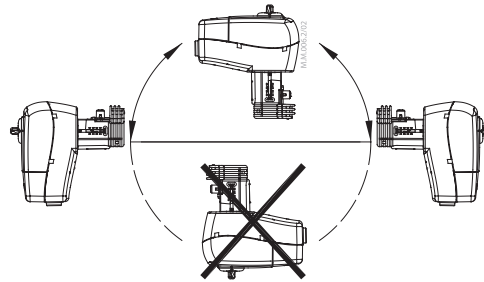


NovoCon® M +
AB-QM NovoCon
(DN 50)



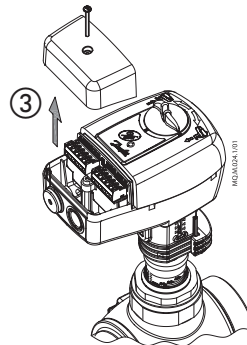
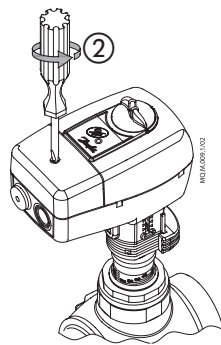
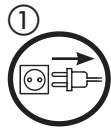
NovoCon® M +
AB-QM NovoCon
(DN 65-100)

1

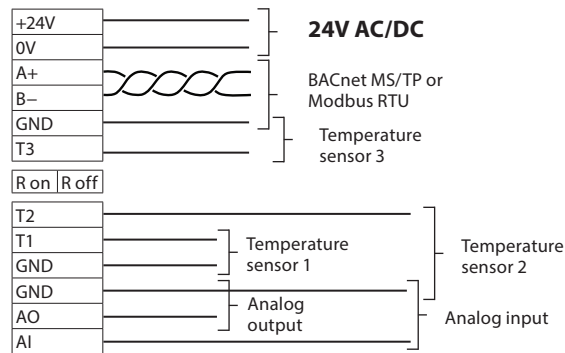
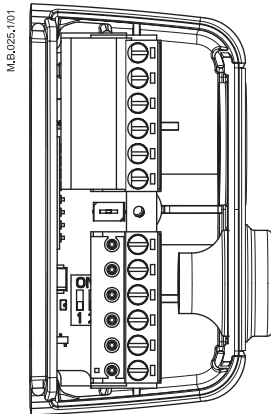


NovoCon® M

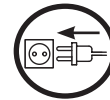
2



4



5



GND is common for all signals

3

NovoCon® M
003Z8540
Actuator for AB-QM DN40-100
 Control signal: BACnet MS/TP, Modbus RTU, 0-10V, 0-20mA

Power: 24VAC/DC, 50/60 HZ
 Force: 550N. Stroke: 20 mm, Speed: 3-24s/mm
 Consumption: 3.5VA running, Standby 0.9W
 IP54/40, -10T55

E100 V01
281624
0030471

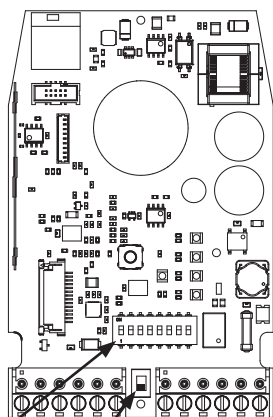
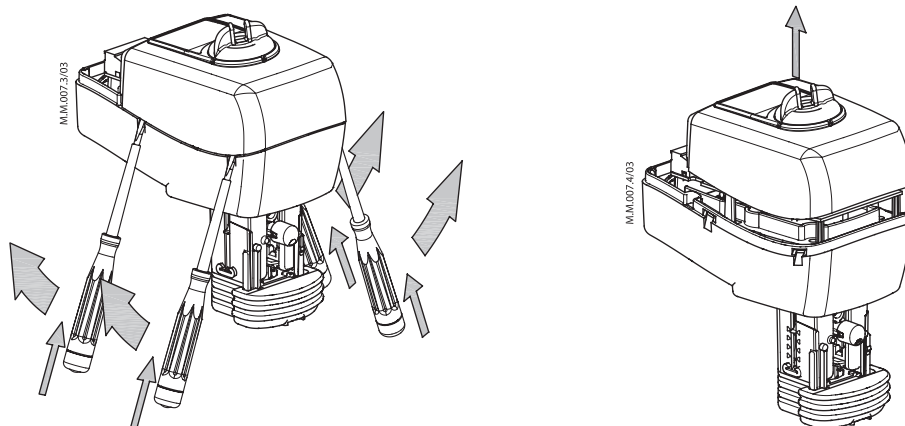
6430 Nordborg, Denmark
MADE IN SLOVENIA

Serial number and QR code can be removed from the NovoCon® M label and added to installation drawing.

E100 V01
281624
0030471

→ Device Object Instance Number

4



5

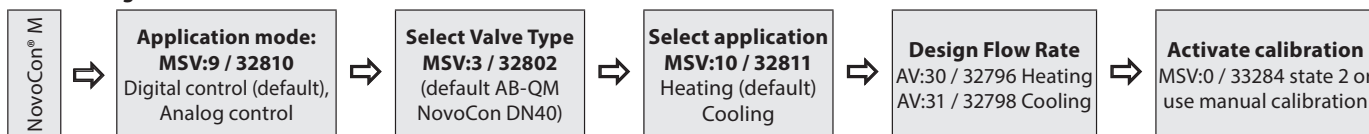
DIP Switch



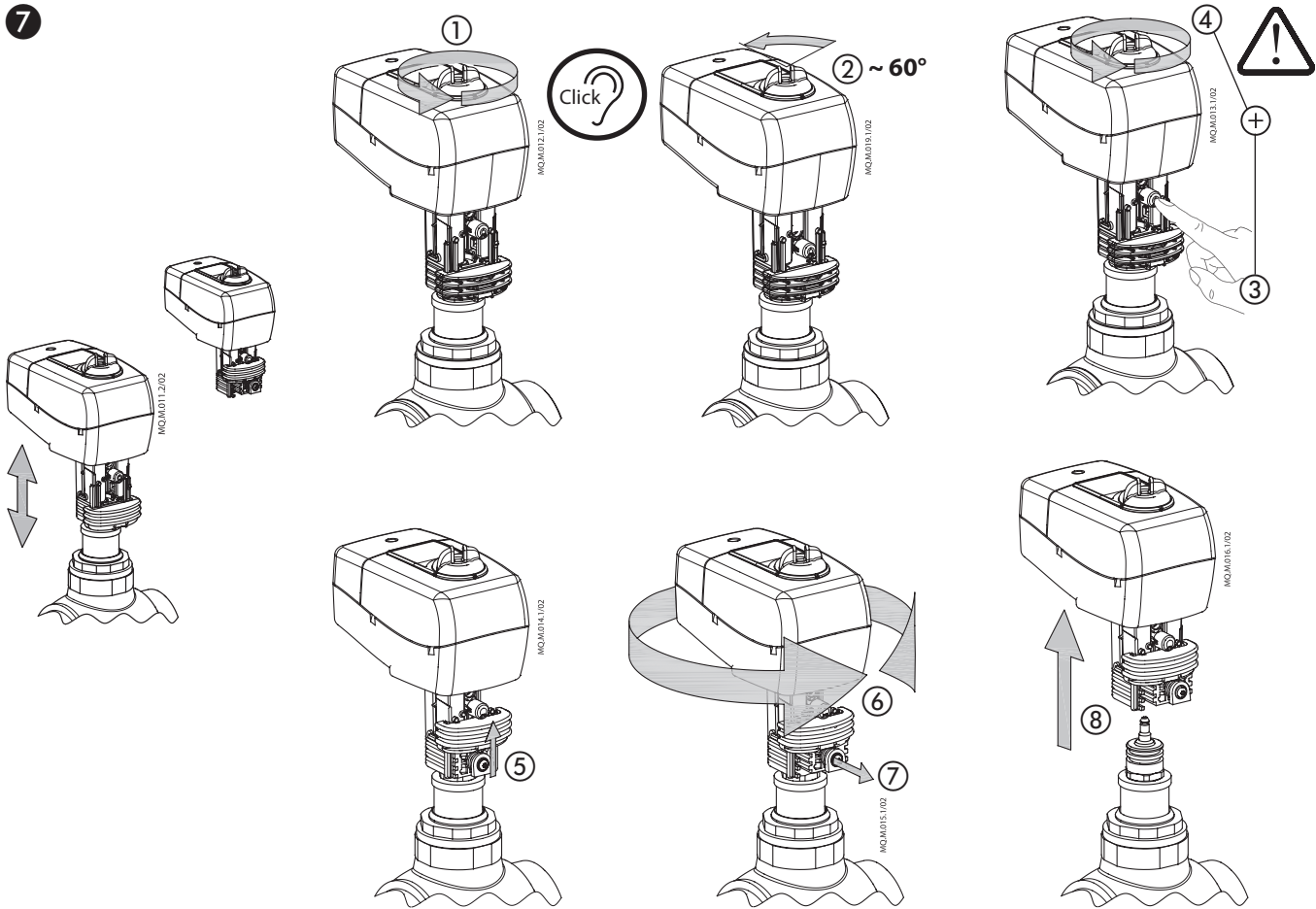
Dip switches for addressing and bus protocol selection are located under the lid of the actuator. Dip switches 1 to 7 are used to assign the MAC address manually. Default MAC address assignment method is Auto MAC addressing for BACnet MS/TP and DIP Switches for Modbus RTU. Dip switch 8 is used to select between BACnet MS/TP (OFF=Default) and Modbus RTU (ON). When the protocol is changed on DIP Switch 8, a power cycle is required. For termination of the last unit on the field bus, turn the DIP Switch R located between the connectors to ON.

6

Initial configuration



NovoCon® M



8

Safety Note

To avoid injury and damage to persons and devices, it is absolutely necessary these instructions are carefully read and observed prior to assembly and commissioning. Necessary assembly, start-up, and maintenance work must be performed only by qualified, trained and authorised personnel. Switch off the power line before wiring the actuator.

Safety Note

If the NovoCon® M network is supplied with two or more AC power boosters, caution must be observed when disconnecting one of the transformers from the high voltage power line. As the NovoCons are connected in a daisy chain, there may be high voltage on the primary side of the disconnected power supply. Disconnect always both the primary and secondary side of the transformer.

Firmware update

We recommend to validate the firmware version before installation. The latest firmware can be downloaded at www.novocon.com by selecting the tab: Support files.

Part Name	Hazardous Substances Table					
	Lead (Pb)	Mercury (Hg)	Cadmium (Cd)	Hexavalent Chromium (Cr(VI))	Polybrominated biphenyls (PBB)	Polybrominated diphenyl ethers (PBDE)
Motor	X	O	O	O	O	O

O: Indicates that this hazardous substance contained in all of the homogeneous material for this part is below the limit requirement in GB/T 26572;
X: Indicates that this hazardous substance contained in at least one of the homogeneous material for this part is above the limit requirement in GB/T 26572;

ИМПОРТЕР:

UA: ТОВ з ІІ «Данфосс ТОВ», вул. Вікентія Хвойки, 15/15/6, м. Київ, 04080, Україна

Danfoss A/S

Climate Solutions • danfoss.com • +45 7488 2222

Any information, including, but not limited to information on selection of product, its application or use, product design, weight, dimensions, capacity or any other technical data in product manuals, catalogues descriptions, advertisements, etc. and whether made available in writing, orally, electronically, online or via download, shall be considered informative, and is only binding if and to the extent, explicit reference is made in a quotation or order confirmation. Danfoss cannot accept any responsibility for possible errors in catalogues, brochures, videos and other material. Danfoss reserves the right to alter its products without notice. This also applies to products ordered but not delivered provided that such alterations can be made without changes to form, fit or function of the product. All trademarks in this material are property of Danfoss A/S or Danfoss group companies. Danfoss and the Danfoss logo are trademarks of Danfoss A/S. All rights reserved.