





ECtemp Smart

The ECtemp Smart is an intuitive programmable timer thermostat to be connected to WIFI and ECtemp Smart App controllable from anywhere, at any time. The thermostat is primarily used for controlling electrical floor heating elements. The thermostat is designed for fixed installation only and due to the special designed 2-part construction it fits a wide range of frames and sensors.

The ECtemp Smart is fast and intuitive to setup using the App wizard. It has an open window detector and energy-saving program including an optimum start/end control ensuring the desired temperature at the correct time and thereby reducing the heating costs.

Product specifications

Benefits <ul style="list-style-type: none"> • WIFI Connectivity • Remote Controllable via ECtemp Smart App • A single ECtemp Smart thermostat can be paired with up to 10 mobile devices using ECtemp Smart App • Can communicate with two mobile devices simultaneously • With one ECtemp Smart App you are able to control as many locations with as many ECtemp Smart thermostats as you need • Adaptive PWM function • Fits many foreign single and multiple frames • Fits many foreign competitive NTC sensors 	Operation voltage	220 - 240 V~, 50/60 Hz
	Standby power consumption	max. 0,40 W
Approvals: 	Relay: Resistive load	16 A (368 0W) @ 230V
	Inductive load	1 A (Cos Φ = 0,3)
Standard compliance <ul style="list-style-type: none"> • EN/IEC 60730-1 (general) • EN/IEC 60730-2-9 (thermostat) • EN 300 328 (WIFI) 	Sensing unit	NTC 15 kΩ @ 25 °C, 3 m (default), NTC 6,8 kΩ @ 25 °C, NTC 10 kΩ @ 25 °C, NTC 12 kΩ @ 25 °C, NTC 33 kΩ @ 25 °C, NTC 47 kΩ @ 25 °C
	Regulation	PWM - Pulse Width Modulation
	Ambient temperature	0 °C to 30 °C
	Frost protection	5 °C to 9 °C (default 5 °C)
	Temperature range	5 °C to 35 °C (room) 5°C to 35°C (45°C with break out) (floor)
	Storage temperature	-20 °C to 65 °C
	Cable specification max.	1 x 4 mm ²
	Ball pressure test temperature	75 °C
	Pollution degree	2 (domestic use)
	Controller type	1 C
	Software class	A
	Expected Wi-Fi data use	125 kByte / 24h, 3,9 Mb / month
	IP class	21
	Protection class	Class II - 
	ECtemp Smart App	1 App can control up to 100 thermostats 10 Apps can be connected to 1 thermostat 2 Apps can control one thermostat at the same time
	Dimensions (H/W/D)	85 x 85 x 20-24 mm (in-wall depth: 22 mm)
	Weight	127 g

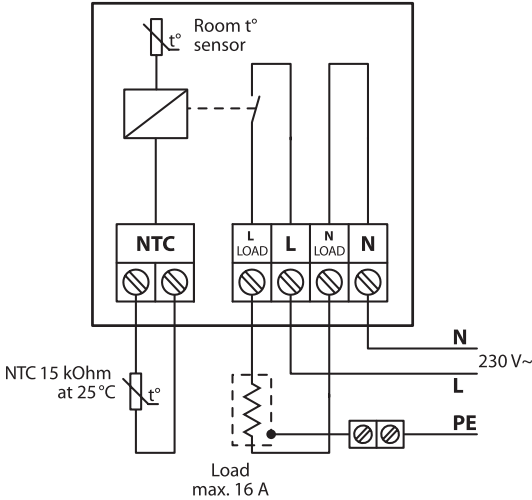
Types

Item no.	Product name	Type	EAN no.
088L1140	ECtemp Smart	Polar White (RAL 9016)	5703466239667
088L1141	ECtemp Smart	Pure White (RAL 9010)	5703466239674
088L1143	ECtemp Smart	Pure Black (RAL 9005)	5703466239698



Try it!
Download the ECtemp Smart App

Connection scheme



Pure White



Polar White



Pure Black