

Operating Guide

ECL Comfort 310, application A368



1.0 Table of Contents

| | | | |
|---|-----------|--|------------|
| 1.0 Table of Contents | 1 | 6.0 Common controller settings | 122 |
| 1.1 Important safety and product information..... | 2 | 6.1 Introduction to 'Common controller settings' | 122 |
| 2.0 Installation | 5 | 6.2 Time & Date..... | 123 |
| 2.1 Before you start | 5 | 6.3 Settings..... | 124 |
| 2.2 Identifying the system type..... | 15 | 6.4 Holiday | 125 |
| 2.3 Mounting | 16 | 6.5 Input overview | 127 |
| 2.4 Placing the temperature sensors..... | 20 | 6.6 Log | 128 |
| 2.5 Electrical connections..... | 22 | 6.7 Output override..... | 129 |
| 2.6 Inserting the ECL Application Key | 34 | 6.8 Alarm | 130 |
| 2.7 Check list | 41 | 6.9 Key functions | 131 |
| 2.8 Navigation, ECL Application Key A368 | 42 | 6.10 System | 133 |
| 3.0 Daily use | 55 | 7.0 Miscellaneous | 140 |
| 3.1 How to navigate | 55 | 7.1 ECA 30 / 31 setup procedures | 140 |
| 3.2 Understanding the controller display | 56 | 7.2 Override function | 148 |
| 3.3 A general overview: What do the symbols mean? | 60 | 7.3 Several controllers in the same system | 151 |
| 3.4 Monitoring temperatures and system components | 61 | 7.4 Frequently asked questions..... | 154 |
| 3.5 Influence overview | 62 | 7.5 Definitions | 157 |
| 3.6 Manual control..... | 63 | 7.6 Type (ID 6001), overview | 161 |
| 3.7 Schedule | 64 | 7.7 Automatic / manual update of firmware..... | 162 |
| 4.0 Settings overview | 65 | 7.8 Parameter ID overview..... | 163 |
| 5.0 Settings | 68 | | |
| 5.1 Introduction to Settings | 68 | | |
| 5.2 Flow temperature..... | 69 | | |
| 5.3 Return limit | 73 | | |
| 5.4 Flow / power limit | 79 | | |
| 5.5 Optimization..... | 83 | | |
| 5.6 Control parameters..... | 90 | | |
| 5.7 Pump control..... | 94 | | |
| 5.8 Refill water | 97 | | |
| 5.9 Application | 103 | | |
| 5.10 Heat cut-out | 109 | | |
| 5.11 Water meter | 112 | | |
| 5.12 Alarm | 114 | | |
| 5.13 Alarm overview | 119 | | |
| 5.14 Anti-bacteria..... | 120 | | |

Operating Guide ECL Comfort 310, application A368

1.1 Important safety and product information

1.1.1 Important safety and product information

This Installation Guide is associated with ECL Application Key A368 (order code no. 087H3803).

The ECL Application Key A368 contains 6 subtypes, all applicable in ECL Comfort 310:

- A368.1: Heating and DHW control. Pump for refill water control
- A368.2: Heating and DHW control. Supply temperature can determine desired flow temperature. Pump for refill water control
- A368.3: Heating and DHW control and 2 pumps for refill water control. Pressure monitoring
- A368.4: Heating and DHW control and 2 pumps for refill water control. Supply temperature can determine desired flow temperature. Pressure monitoring
- A368.5: Heating and DHW control. 2 pumps and flow meter for refill water control. Pressure and secondary temperature monitoring
- A368.6: Heating and DHW control. Pump for refill water control. Secondary temperature monitoring

See the Mounting Guide (delivered with the application key) for application examples and electrical connections.

The described functions are realized in ECL Comfort 310 for advanced solutions, e.g. M-bus, Modbus and Ethernet (Internet) communication.

The Application Key A368 complies with ECL Comfort 310 controllers as of software version 1.11 (visible at start-up of the controller and in 'Common controller settings' in 'System').

The applications A368.3, A368.4 and A368.5 work with the Internal I/O module ECA 32 (order code no. 087H3202). ECA 32 is placed in the base part for ECL Comfort 310. Up to two Remote Control Units, ECA 30 or ECA 31, can be connected for remote monitoring and setting.

ECL Comfort 310 is available as:

- ECL Comfort 310, 230 volt a.c. (087H3040)
- ECL Comfort 310B, 230 volt a.c. (087H3050)
- ECL Comfort 310, 24 volt a.c. (087H3044)

The base part for ECL Comfort 310, 230 volt and 24 volt:

- 087H3230

The B-types have no display and dial.

The B-types are operated by means of the remote control unit ECA 30 / 31:

- ECA 30 (087H3200)
- ECA 31 (087H3201)

Additional documentation for ECL Comfort 310, modules and accessories is available on <http://danfoss.com/>.



Safety Note

To avoid injury of persons and damages to the device, it is absolutely necessary to read and observe these instructions carefully.

Necessary assembly, start-up, and maintenance work must be performed by qualified and authorized personnel only.

Local legislations must be respected. This comprises also cable dimensions and type of isolation (double isolated at 230 V).

A fuse for the ECL Comfort installation is max. 10 A typically.

The ambient temperature ranges for ECL Comfort in operation are:

ECL Comfort 210 / 310 / 311: 0 - 55 °C

ECL Comfort 296: 0 - 45 °C.

Exceeding the temperature range can result in malfunctions.

Installation must be avoided if there is a risk for condensation (dew).

The warning sign is used to emphasize special conditions that should be taken into consideration.

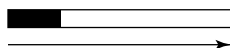


Application keys might be released before all display texts are translated. In this case the text is in English.



Automatic update of controller software (firmware):

The software of the controller is updated automatically when the key is inserted (as of controller version 1.11 (ECL 210 / 310) and version 1.58 (ECL 296)). The following animation will be shown when the software is being updated:



Progress bar

During update:

- Do not remove the KEY
If the key is removed before the hour-glass is shown, you have to start afresh.
- Do not disconnect the power
If the power is interrupted when the hour-glass is shown, the controller will not work.
- Manual update of controller software (firmware):
See the section "Automatic / manual update of firmware"



This symbol indicates that this particular piece of information should be read with special attention.



As this Operating Guide covers several system types, special system settings will be marked with a system type. All system types are shown in the chapter: 'Identifying your system type'.



°C (degrees Celsius) is a measured temperature value whereas K (Kelvin) often is used for temperature differences.



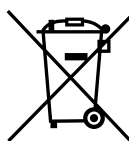
The ID no. is unique for the selected parameter.

| Example | First digit | Second digit | Last three digits |
|---------|-------------|--------------|-------------------|
| 11174 | 1 | 1 | 174 |
| | - | Circuit 1 | Parameter no. |
| 12174 | 1 | 2 | 174 |
| | - | Circuit 2 | Parameter no. |

If an ID description is mentioned more than once, it means that there are special settings for one or more system types. It will be marked with the system type in question (e.g. 12174 - A266.9).



Parameters indicated with an ID no. like "1x607" mean a universal parameter.
x stands for circuit / parameter group.



Disposal Note

This symbol on the product indicates that it may not be disposed of as household waste. It must be handed over to the applicable take-back scheme for the recycling of electrical and electronic equipment.

- Dispose of the product through channels provided for this purpose.
- Comply with all local and currently applicable laws and regulations.

Operating Guide ECL Comfort 310, application A368

2.0 Installation

2.1 Before you start

The ECL application key **A368** contains of 6 subtypes: A368.1, A368.2, A368.3, A368.4, A368.5 and A368.6.

The 6 different applications are heating and DHW applications in various combinations.

The basic principles for a heating circuit (example referring to A368.1)

Heating (circuit 1):

Typically, the flow temperature is adjusted according to your requirements. The flow temperature sensor (S3) is the most important sensor. The desired flow temperature at S3 is calculated in the ECL controller, based on the outdoor temperature (S1) and the desired room temperature. The lower the outdoor temperature, the higher the desired flow temperature.

By means of a week schedule, the heating circuit can be in 'Comfort' or 'Saving' mode. The week schedule can have up to 3 'Comfort' periods / day. A value for the desired room temperature can be set in each of the modes. In Saving mode the heating can be reduced or switched off totally.

The motorized control valve (M2) is opened gradually when the flow temperature is lower than the desired flow temperature and vice versa.

The return temperature (S5) can be limited, for example not to be too high. If so, the desired flow temperature at S3 can be adjusted (typically to a lower value), thus resulting in a gradual closing of the motorized control valve. Furthermore, the return temperature limitation can be dependent on the outdoor temperature. Typically, the lower the outdoor temperature, the higher the accepted return temperature.

In boiler-based heating supply the return temperature should not be too low (same adjustment procedure as above).

The circulation pumps P3 and P5 are operated alternately. One circulation pump is used as working pump and the other circulation pump is used as spare pump. The circulation pump in question is ON at heat demand or at frost protection. The alternation time can be set as a number of days and a set time on the shift day. A solution with a single circulation pump can also be selected.

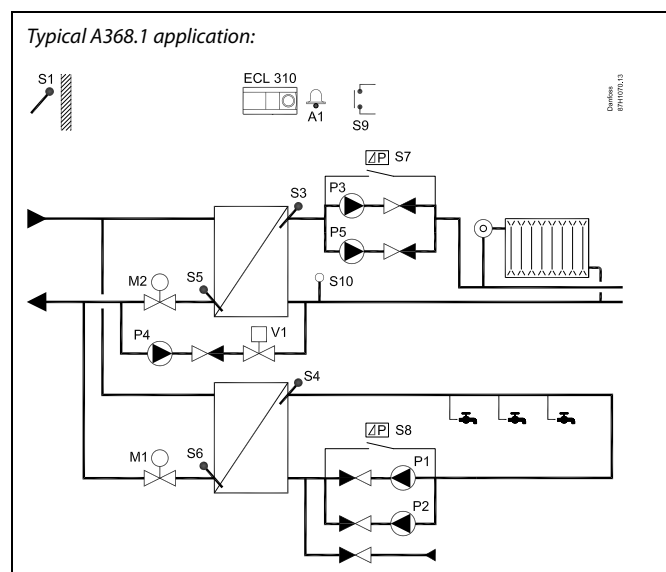
By means of the pressure difference switch S7 the ECL controller verifies that the circulation pump in question is operating. If an acceptable pressure difference is not detected, the ECL controller activates the alarm and shifts the operating command to the opposite circulation pump.

The heating can be switched OFF when the outdoor temperature is higher than a selectable value.

The Frost protection mode maintains a selectable flow temperature, for example 10 °C.

The heating circuit can be gradually or full closed during DHW heating

The static pressure on the secondary side (consumer side) can 1) be measured as a 0 - 10 V signal (from a pressure transmitter) or 2) be a switch signal from a pressure switch. In case of a too low pressure, the refill water function will supplement with water from a water source or the supply side. The refill pump P4 is switched ON and the ON / OFF valve V1 opens.



The shown diagram is a fundamental and simplified example and does not contain all components that are necessary in a system.

All named components are connected to the ECL Comfort controller.

List of components:

| | |
|---------|---|
| ECL 310 | Electronic controller ECL Comfort 310 |
| S1 | Outdoor temperature sensor |
| S3 | Flow temperature sensor, circuit 1 |
| S4 | DHW flow temperature sensor, circuit 2 |
| S5 | (Optional) Return temperature sensor, circuit 1 |
| S6 | (Optional) DHW return temperature sensor, circuit 2 |
| S7 | Differential pressure switch, circuit 1 |
| S8 | Differential pressure switch, circuit 2 |
| S9 | Alarm input |
| S10 | (Optional) Pressure transmitter or pressure switch, circuit 1 |
| P1 | Circulation pump, DHW, circuit 2 |
| P2 | Circulation pump, DHW, circuit 2 |
| P3 | Circulation pump, heating, circuit 1 |
| P4 | Refill water pump, circuit 1 |
| P5 | Circulation pump, heating, circuit 1 |
| M1 | Motorized control valve, circuit 2 |
| M2 | Motorized control valve, circuit 1 |
| V1 | ON / OFF valve, circuit 1, refill water valve |
| A1 | Alarm |

Operating Guide ECL Comfort 310, application A368

A368.3, A368.4 and A368.5 only:

The refill pumps P4 and P7 are operated alternately. The alternation time can be set as a number of days.

A solution with a single refill pump can also be selected.

In case of not reached pressure at S10 within a set time an alarm will be generated.

A368.2 and A368.4 only:

The supply temperature S2 can determine the desired flow temperature.

A368.3 and A368 only:

S11 is used for monitoring the pressure in the flow to the heating circuit.

A368.5 only:

A flow meter F1 (pulse signal) measures the injected refill water. S11 is used for monitoring the return temperature from the heating circuit.

A368.6 only:

S2 is used for monitoring the return temperature from the heating circuit.

Heating in general:

Exercise of circulation pumps and control valve in periods without heating demand can be arranged.

Modbus communication to a SCADA system can be established.

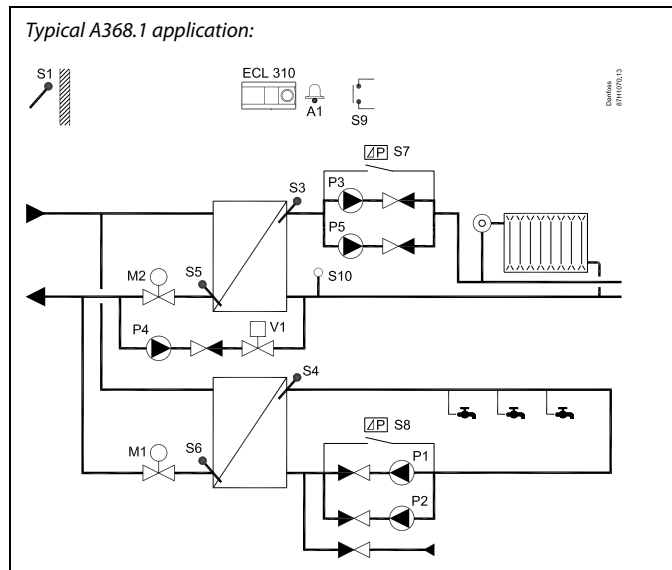
A connected flow or energy meter based on M-bus signal can limit the flow or power to a set maximum value. Furthermore, the limitation can be in relation to the outdoor temperature. Typically, the lower the outdoor temperature, the higher the accepted flow / power.

M-bus data can be transferred to the Modbus communication.

Override function:

By means of an external switch or a relay contact the schedule of the heating circuit can be overridden to

- constant Comfort mode
- constant Saving mode
- constant desired flow temperature
- constant Frost protection mode



Operating Guide ECL Comfort 310, application A368

The basic principles for a DHW circuit (circuit 2): (example referring to A368.1)

If the measured DHW temperature (S4) is lower than the desired DHW temperature, the motorized control valve (M1) is opened gradually and vice versa.

By means of a week schedule, the DHW circuit can be in 'Comfort' or 'Saving' mode. The week schedule can have up to 3 'Comfort' periods / day.
A value for the desired DHW temperature can be set in each of the modes.

The return temperature (S6) can be limited to a set value.

An anti-bacteria function is available for activation on selected days of the week.

If the desired DHW temperature cannot be reached, the heating circuit can be closed gradually to allow more energy to the DHW circuit.

The circulation pumps P1 and P2 are operated alternately. One circulation pump is used as working pump and the other circulation pump is used as spare pump. The circulation pump in question is ON at DHW heating demand or at frost protection. The alternation time can be set as a number of days and a set time on the shift day. A solution with a single circulation pump can also be selected.

By means of the pressure difference S8 (except A368.6) the ECL controller verifies that the circulation pump in question is operating.

The Frost protection mode maintains a selectable flow temperature, for example 10 °C.

A connected flow or energy meter based on M-bus signal can limit the flow or power to a set maximum value.

A368.3, A368.4 and A368.5 only:

S13 is used for monitoring the pressure in the return from the DHW circulation.

S14 is used for monitoring the pressure of the cold water supply.

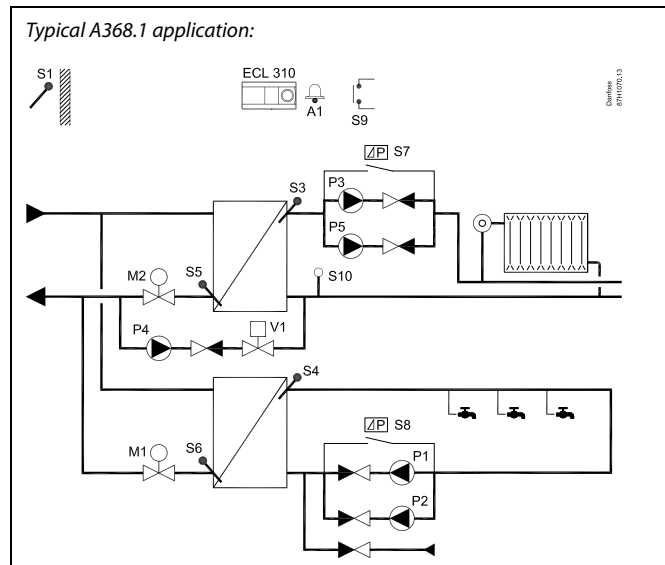
A368.6 only:

S8 is used for monitoring the temperature in the return from the DHW circulation.

Override function:

By means of an external switch or a relay contact the schedule of the DHW circuit can be overridden to

- constant Comfort mode
- constant Saving mode
- constant Frost protection mode



The shown diagram is a fundamental and simplified example and does not contain all components that are necessary in a system.

All named components are connected to the ECL Comfort controller.

List of components:

| | |
|---------|---|
| ECL 310 | Electronic controller ECL Comfort 310 |
| S1 | Outdoor temperature sensor |
| S3 | Flow temperature sensor, circuit 1 |
| S4 | DHW flow temperature sensor, circuit 2 |
| S5 | (Optional) Return temperature sensor, circuit 1 |
| S6 | (Optional) DHW return temperature sensor, circuit 2 |
| S7 | Differential pressure switch, circuit 1 |
| S8 | Differential pressure switch, circuit 2 |
| S9 | Alarm input |
| S10 | (Optional) Pressure transmitter or pressure switch, circuit 1 |
| P1 | Circulation pump, DHW, circuit 2 |
| P2 | Circulation pump, DHW, circuit 2 |
| P3 | Circulation pump, heating, circuit 1 |
| P4 | Refill water pump, circuit 1 |
| P5 | Circulation pump, heating, circuit 1 |
| M1 | Motorized control valve, circuit 2 |
| M2 | Motorized control valve, circuit 1 |
| V1 | ON / OFF valve, circuit 1, refill water valve |
| A1 | Alarm |

Operating Guide ECL Comfort 310, application A368

A368, in general:

The heating circuit can be gradually or full closed during DHW heating (sliding or full DHW priority).

Up to two Remote Control Units, ECA 30 / 31 can be connected to one ECL controller in order to control the ECL controller remotely.

Additional ECL Comfort controllers can be connected via the ECL 485 bus in order to utilize common outdoor temperature signal, time and date signals.

The ECL controllers in the ECL 485 system can work in master - slave system.

Unused input can, by means of an override switch, be used to override the schedule to a fixed 'Comfort' or 'Saving' mode.

Modbus communication to a SCADA system can be established.

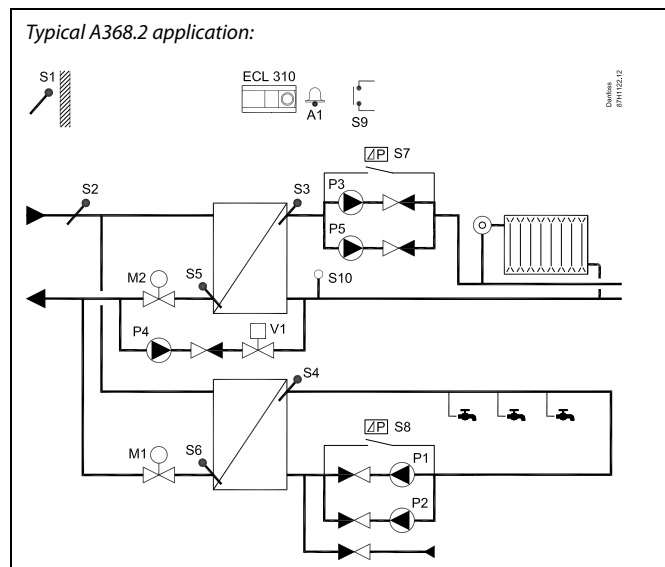
The M-bus data can furthermore be transferred to the Modbus communication.

Alarm A1 (= relay 6) can be activated if:

- The actual flow temperature differs from the desired flow temperature
- The activated circulation pump does not generate a pressure difference
- The refill water function does not generate a pressure within a preset time
- If a temperature sensor or its connection disconnects / short circuits. (See: Common controller settings > System > Raw input overview)
- If the universal alarm input(s) S9 / S12 are activated.

Operating Guide ECL Comfort 310, application A368

Typical A368.2 application: (Heating and DHW)



The shown diagram is a fundamental and simplified example and does not contain all components that are necessary in a system.

All named components are connected to the ECL Comfort controller.

List of components:

- ECL 310 Electronic controller ECL Comfort 310
- S1 Outdoor temperature sensor
- S2 Supply temperature sensor
- S3 Flow temperature sensor, circuit 1
- S4 DHW flow temperature sensor, circuit 2
- S5 (Optional) Return temperature sensor, circuit 1
- S6 (Optional) DHW return temperature sensor, circuit 2
- S7 Differential pressure switch, circuit 1
- S8 Differential pressure switch, circuit 2
- S9 Alarm input
- S10 (Optional) Pressure transmitter or pressure switch, circuit 1
- P1 Circulation pump, DHW, circuit 2
- P2 Circulation pump, DHW, circuit 2
- P3 Circulation pump, heating, circuit 1
- P4 Refill water pump, circuit 1
- P5 Circulation pump, heating, circuit 1
- M1 Motorized control valve, circuit 2
- M2 Motorized control valve, circuit 1
- V1 ON / OFF valve, circuit 1, refill water valve
- A1 Alarm

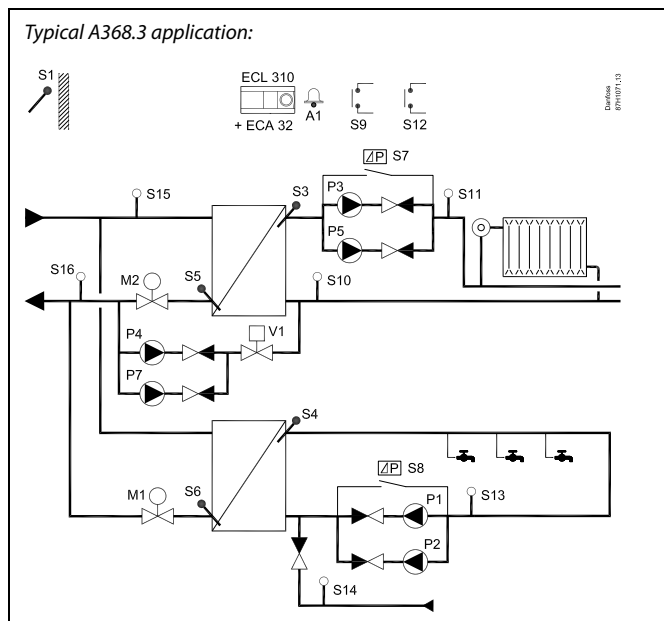
Operating Guide ECL Comfort 310, application A368

Typical A368.3 application: (Heating and DHW)



The shown diagram is a fundamental and simplified example and does not contain all components that are necessary in a system.

All named components are connected to the ECL Comfort controller.



List of components:

- ECL 310 Electronic controller ECL Comfort 310
- ECL 32 Built-in extension module
- S1 Outdoor temperature sensor
- S3 Flow temperature sensor, circuit 1
- S4 DHW flow temperature sensor, circuit 2
- S5 (Optional) Return temperature sensor, circuit 1
- S6 (Optional) DHW return temperature sensor, circuit 2
- S7 Differential pressure switch, circuit 1
- S8 Differential pressure switch, circuit 2
- S9 Alarm input
- S10 (Optional) Pressure transmitter or pressure switch, circuit 1
- S11 (Optional) Secondary pressure sensor, circuit 1. For monitoring purpose
- S12 Alarm input
- S13 (Optional) DHW circulation return pressure sensor. For monitoring purpose
- S14 (Optional) Cold water supply pressure sensor. For monitoring purpose
- S15 (Optional) Primary supply pressure sensor. For monitoring purpose
- S16 (Optional) Primary return pressure sensor. For monitoring purpose
- P1 Circulation pump, DHW, circuit 2
- P2 Circulation pump, DHW, circuit 2
- P3 Circulation pump, heating, circuit 1
- P4 Refill water pump, circuit 1
- P5 Circulation pump, heating, circuit 1
- P7 Refill water pump, circuit 1
- M1 Motorized control valve, circuit 2
- M2 Motorized control valve, circuit 1
- V1 ON / OFF valve, circuit 1, refill water valve
- A1 Alarm

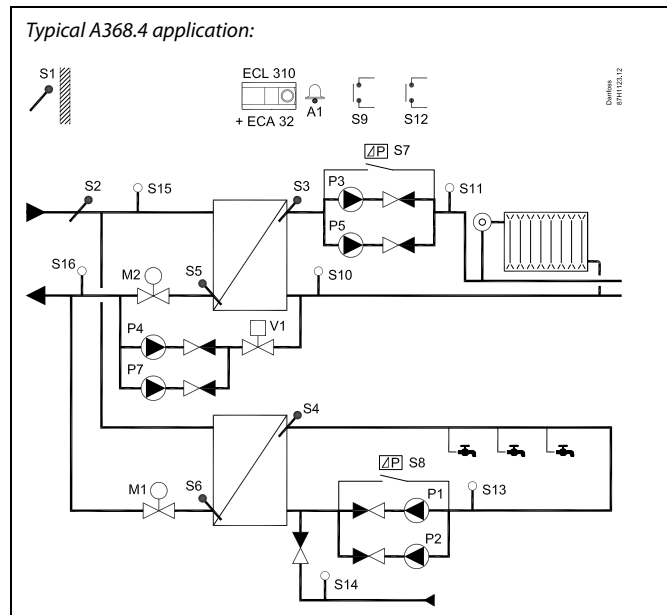
Operating Guide ECL Comfort 310, application A368

Typical A368.4 application: (Heating and DHW)



The shown diagram is a fundamental and simplified example and does not contain all components that are necessary in a system.

All named components are connected to the ECL Comfort controller.



List of components:

- ECL 310 Electronic controller ECL Comfort 310
- ECL 32 Built-in extension module
- S1 Outdoor temperature sensor
- S2 Supply temperature sensor
- S3 Flow temperature sensor, circuit 1
- S4 DHW flow temperature sensor, circuit 2
- S5 (Optional) Return temperature sensor, circuit 1
- S6 (Optional) DHW return temperature sensor, circuit 2
- S7 Differential pressure switch, circuit 1
- S8 Differential pressure switch, circuit 2
- S9 Alarm input
- S10 (Optional) Pressure transmitter or pressure switch, circuit 1
- S11 (Optional) Secondary pressure sensor, circuit 1. For monitoring purpose
- S12 Alarm input
- S13 (Optional) DHW circulation return pressure sensor. For monitoring purpose
- S14 (Optional) Cold water supply pressure sensor. For monitoring purpose
- S15 (Optional) Primary supply pressure sensor. For monitoring purpose
- S16 (Optional) Primary return pressure sensor. For monitoring purpose
- P1 Circulation pump, DHW, circuit 2
- P2 Circulation pump, DHW, circuit 2
- P3 Circulation pump, heating, circuit 1
- P4 Refill water pump, circuit 1
- P5 Circulation pump, heating, circuit 1
- P7 Refill water pump, circuit 1
- M1 Motorized control valve, circuit 2
- M2 Motorized control valve, circuit 1
- V1 ON / OFF valve, circuit 1, refill water valve
- A1 Alarm

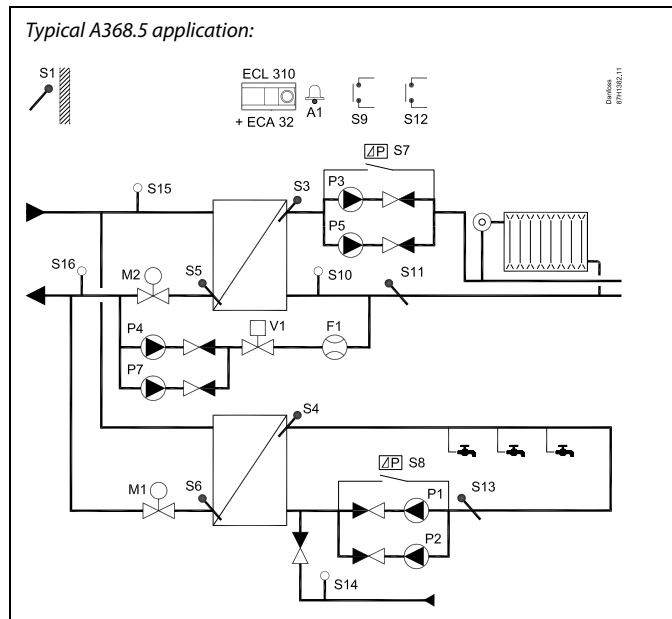
Operating Guide ECL Comfort 310, application A368

Typical A368.5 application: (Heating and DHW)



The shown diagram is a fundamental and simplified example and does not contain all components that are necessary in a system.

All named components are connected to the ECL Comfort controller.



List of components:

ECL 310 Electronic controller ECL Comfort 310

ECL 32 Built-in extension module

S1 Outdoor temperature sensor

S3 Flow temperature sensor, circuit 1

S4 DHW flow temperature sensor, circuit 2

S5 (Optional) Return temperature sensor, circuit 1

S6 (Optional) DHW return temperature sensor, circuit 2

S7 Differential pressure switch, circuit 1

S8 Differential pressure switch, circuit 2

S9 Alarm input

S10 (Optional) Pressure transmitter or pressure switch, circuit 1

S11 (Optional) Secondary return temperature sensor, circuit 1. For monitoring purpose

S12 Alarm input

S13 (Optional) DHW circulation return temperature sensor. For monitoring purpose

S14 (Optional) Cold water supply pressure sensor. For monitoring purpose

S15 (Optional) Primary supply pressure sensor. For monitoring purpose

S16 (Optional) Primary return pressure sensor. For monitoring purpose

F1 Refill water flow meter

P1 Circulation pump, DHW, circuit 2

P2 Circulation pump, DHW, circuit 2

P3 Circulation pump, heating, circuit 1

P4 Refill water pump, circuit 1

P5 Circulation pump, heating, circuit 1

P7 Refill water pump, circuit 1

M1 Motorized control valve, circuit 2

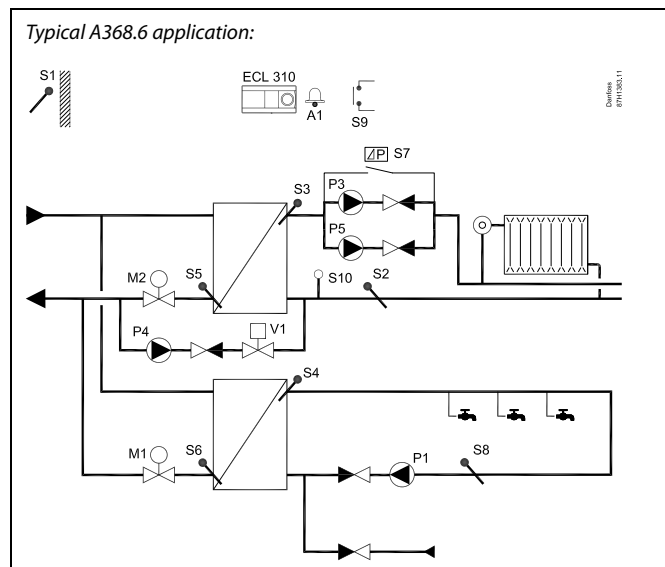
M2 Motorized control valve, circuit 1

V1 ON / OFF valve, circuit 1, refill water valve

A1 Alarm

Operating Guide ECL Comfort 310, application A368

Typical A368.6 application: (Heating and DHW)



The shown diagram is a fundamental and simplified example and does not contain all components that are necessary in a system.

All named components are connected to the ECL Comfort controller.

List of components:

ECL 310 Electronic controller ECL Comfort 310

- S1 Outdoor temperature sensor
- S2 (Optional) Secondary return temperature sensor, circuit 1. For monitoring purpose
- S3 Flow temperature sensor, circuit 1
- S4 DHW flow temperature sensor, circuit 2
- S5 (Optional) Return temperature sensor, circuit 1
- S6 (Optional) DHW return temperature sensor, circuit 2
- S7 Differential pressure switch, circuit 1
- S8 (Optional) DHW circulation return temperature sensor. For monitoring purpose
- S9 Alarm input
- S10 (Optional) Pressure transmitter or pressure switch, circuit 1
- P1 Circulation pump, DHW, circuit 2
- P3 Circulation pump, heating, circuit 1
- P4 Refill water pump, circuit 1
- P5 Circulation pump, heating, circuit 2
- M1 Motorized control valve, circuit 2
- M2 Motorized control valve, circuit 1
- V1 ON / OFF valve, circuit 1, refill water valve
- A1 Alarm



The controller is pre-programmed with factory settings that are shown in the 'Parameter ID overview' appendix.

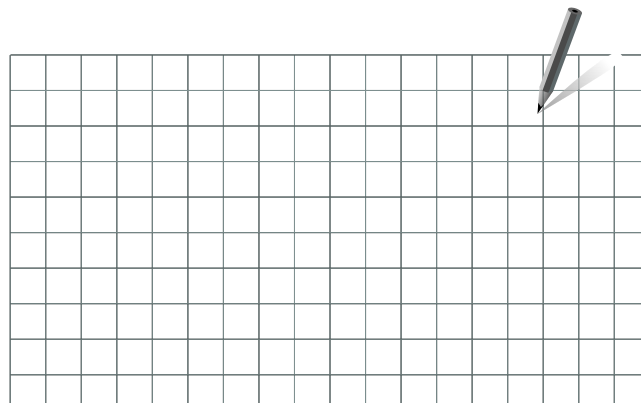
Operating Guide ECL Comfort 310, application A368

2.2 Identifying the system type

Sketch your application

The ECL Comfort controller series is designed for a wide range of heating, domestic hot-water (DHW) and cooling systems with different configurations and capacities. If your system differs from the diagrams shown here, you may want to make a sketch of the system about to be installed. This makes it easier to use the Operating Guide, which will guide you step-by-step from installation to final adjustments before the end-user takes over.

The ECL Comfort controller is a universal controller that can be used for various systems. Based on the shown standard systems, it is possible to configure additional systems. In this chapter you find the most frequently used systems. If your system is not quite as shown below, find the diagram which has the best resemblance with your system and make your own combinations.



See the Installation Guide (delivered with the application key) for application types / sub-types.



The circulation pump(s) in heating circuit(s) can be placed in the flow as well as the return. Place the pump according to the manufacturer's specification.

Advice for settings:

When circuit 1 (heating) must be able to receive a temperature demand from a slave:

MENU \ Settings \ Application:
'Demand offset' (ID 11017): 3 K*

When a heating or DHW circuit must be able to send its temperature demand to circuit 1 or the master:

MENU \ Settings \ Application:
'Send desired T' (ID 1x500): ON

When a heating or DHW circuit should not send its temperature demand to circuit 1 or the master:

MENU \ Settings \ Application:
'Send desired T' (ID 1x500): OFF

* This recommended value is added to the highest temperature demand value from the sub-circuit or a slave.

Operating Guide ECL Comfort 310, application A368

2.3 Mounting

2.3.1 Mounting the ECL Comfort controller

See the Installation Guide which is delivered together with the ECL Comfort controller.

For easy access, you should mount the ECL Comfort controller near the system.

ECL Comfort 210 / 296 / 310 can be mounted

- on a wall
- on a DIN rail (35 mm)

ECL Comfort 296 can be mounted

- in a panel cut-out

ECL Comfort 210 can be mounted in an ECL Comfort 310 base part (for future upgrade).

Screws, PG cable glands and rawlplugs are not supplied.

Locking the ECL Comfort 210 / 310 controller

In order to fasten the ECL Comfort controller to its base part, secure the controller with the locking pin.



To prevent injuries to persons or the controller, the controller has to be securely locked into the base. For this purpose, press the locking pin into the base until a click is heard and the controller no longer can be removed from the base.



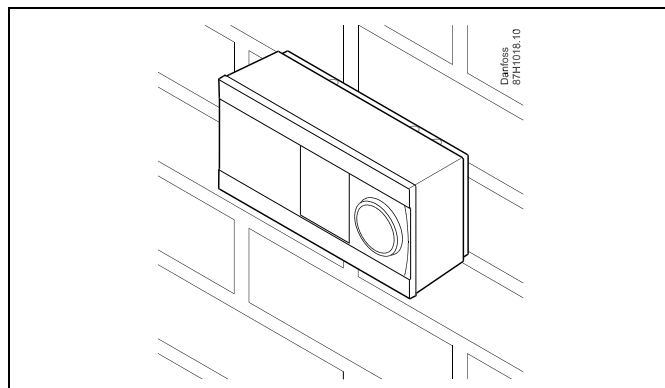
If the controller is not securely locked into the base part, there is a risk that the controller during operation can unlock from the base and the base with terminals (and also the 230 V a.c. connections) are exposed. To prevent injuries to persons, always make sure that the controller is securely locked into its base. If this is not the case, the controller should not be operated!



The easy way to lock the controller to its base or unlock it is to use a screw driver as lever.

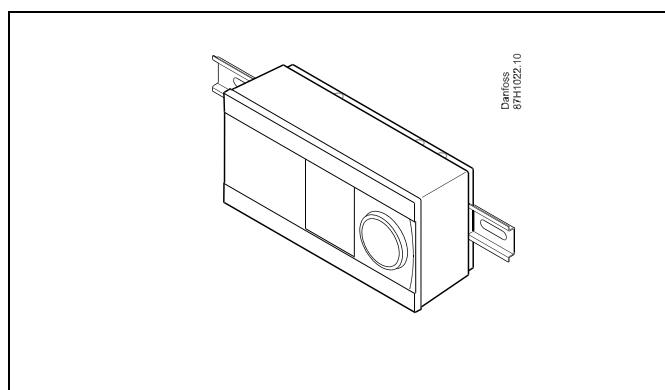
Mounting on a wall

Mount the base part on a wall with a smooth surface. Establish the electrical connections and position the controller in the base part. Secure the controller with the locking pin.



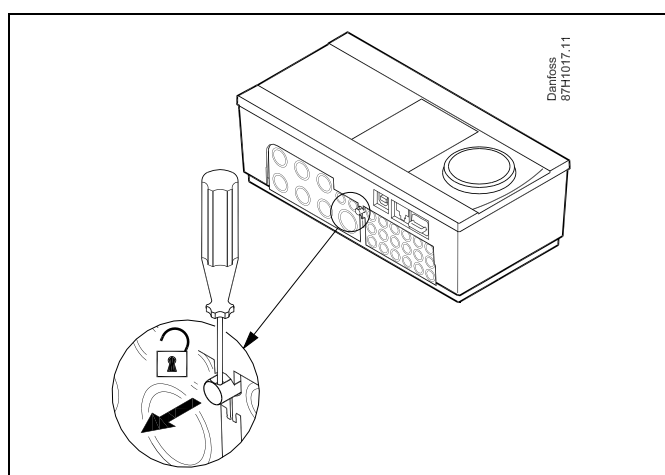
Mounting on a DIN rail (35 mm)

Mount the base part on a DIN rail. Establish the electrical connections and position the controller in the base part. Secure the controller with the locking pin.



Dismounting the ECL Comfort controller

In order to remove the controller from the base part, pull out the locking pin by means of a screwdriver. The controller can now be removed from the base part.



The easy way to lock the controller to its base or unlock it is to use a screw driver as lever.



Before removing the ECL Comfort controller from the base part, ensure that the supply voltage is disconnected.

2.3.2 Mounting the Remote Control Units ECA 30 / 31

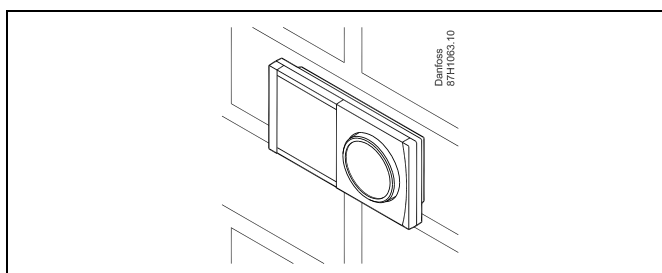
Select one of the following methods:

- Mounting on a wall, ECA 30 / 31
- Mounting in a panel, ECA 30

Screws and rawlplugs are not supplied.

Mounting on a wall

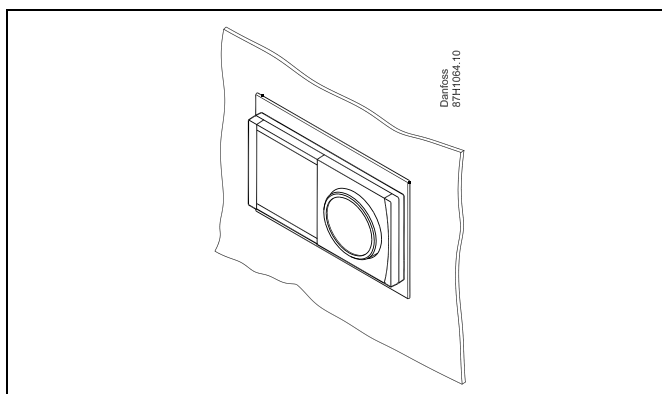
Mount the base part of the ECA 30 / 31 on a wall with a smooth surface. Establish the electrical connections. Place the ECA 30 / 31 in the base part.



Mounting in a panel

Mount the ECA 30 in a panel using the ECA 30 frame kit (order code no. 087H3236). Establish the electrical connections. Secure the frame with the clamp. Place the ECA 30 in the base part. The ECA 30 can be connected to an external room temperature sensor.

The ECA 31 must not be mounted in a panel if the humidity function is to be used.



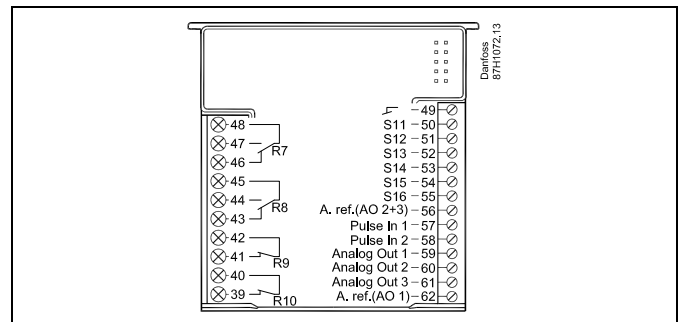
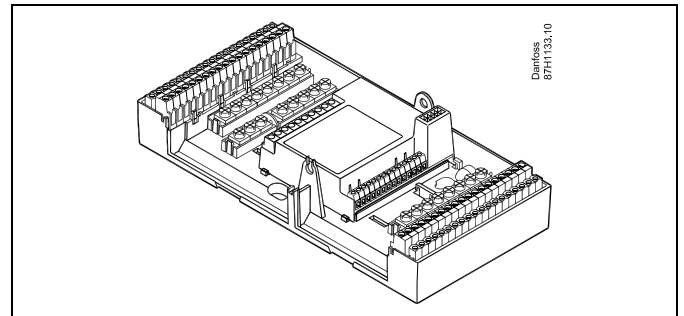
Operating Guide ECL Comfort 310, application A368

2.3.3 Mounting the internal I/O module ECA 32

Mounting of the internal I/O module ECA 32

The ECA 32 module (order code no. 087H3202) must be inserted into the ECL Comfort 310 / 310B base part for additional input and output signals in relevant applications.

The connection between the ECL Comfort 310 / 310B and ECA 32 is a 10-pole (2 x 5) connector. The connection is automatically established when the ECL Comfort 310 / 310B is placed on the base part.



Operating Guide ECL Comfort 310, application A368

2.4 Placing the temperature sensors

2.4.1 Placing the temperature sensors

It is important that the sensors are mounted in the correct position in your system.

The temperature sensor mentioned below are sensors used for the ECL Comfort 210 / 296 / 310 series which not all will be needed for your application!

Outdoor temperature sensor (ESMT)

The outdoor sensor should be mounted on that side of the building where it is less likely to be exposed to direct sunshine. It should not be placed close to doors, windows or air outlets.

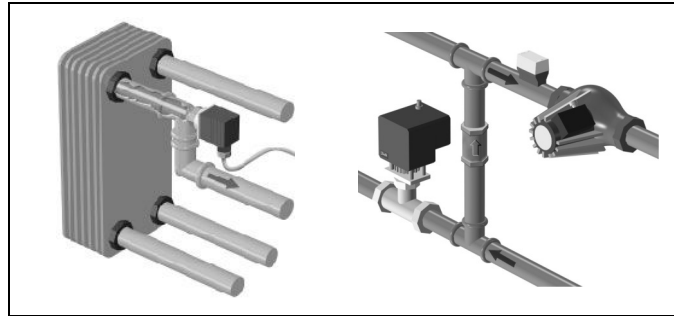
Flow temperature sensor (ESMU, ESM-11 or ESMC)

Place the sensor max. 15 cm from the mixing point. In systems with heat exchanger, Danfoss recommends that the ESMU-type to be inserted into the exchanger flow outlet.

Make sure that the surface of the pipe is clean and even where the sensor is mounted.

Return temperature sensor (ESMU, ESM-11 or ESMC)

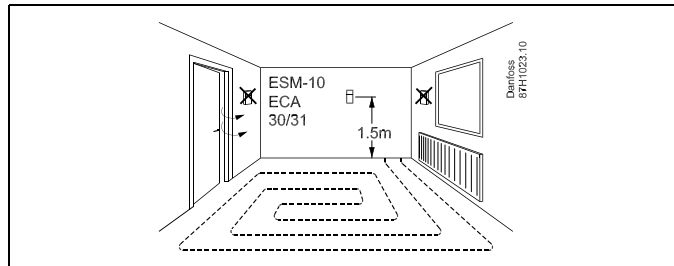
The return temperature sensor should always be placed so that it measures a representative return temperature.



Room temperature sensor

(ESM-10, ECA 30 / 31 Remote Control Unit)

Place the room sensor in the room where the temperature is to be controlled. Do not place it on outside walls or close to radiators, windows or doors.



Boiler temperature sensor (ESMU, ESM-11 or ESMC)

Place the sensor according to the boiler manufacturer's specification.

Air duct temperature sensor (ESMB-12 or ESMU types)

Place the sensor so that it measures a representative temperature.

DHW temperature sensor (ESMU or ESMB-12)

Place the DHW temperature sensor according to the manufacturer's specification.

Slab temperature sensor (ESMB-12)

Place the sensor in a protection tube in the slab.



ESM-11: Do not move the sensor after it has been fastened in order to avoid damage to the sensor element.



ESM-11, ESMC and ESMB-12: Use heat conducting paste for quick measurement of the temperature.

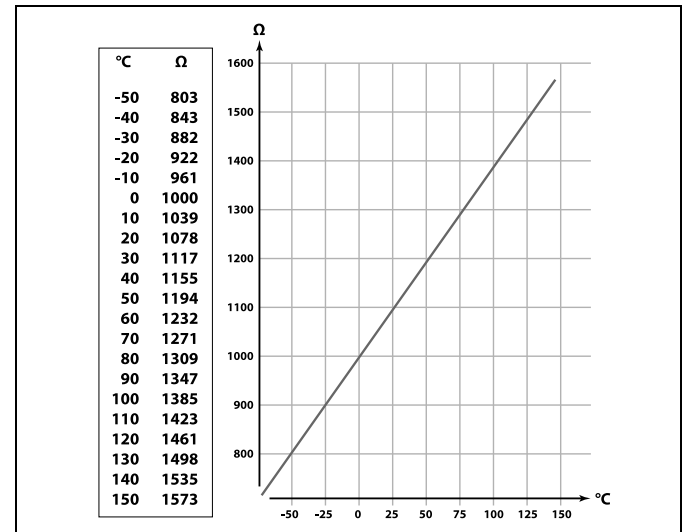


ESMU and ESMB-12: Using a sensor pocket to protect the sensor will, however, result in a slower temperature measurement.

Operating Guide ECL Comfort 310, application A368

Pt 1000 temperature sensor (IEC 751B, 1000 Ω / 0 $^{\circ}\text{C}$)

Relationship between temperature and ohmic value:



2.5 Electrical connections

2.5.1 Electrical connections 230 V a.c.

**Warning**

Electric conductors on PCB (**P**rinted **C**ircuit **B**oard) for supply voltage, relay contacts and triac outputs do not have mutual safety distance of minimum 6 mm. The outputs are not allowed to be used as galvanic separated (voltage free) outputs.

If a galvanic separated output is needed, an auxiliary relay is recommended.

24 Volt controlled units, for example actuators, are to be controlled by means of ECL Comfort 310, 24 Volt version.

**Safety Note**

Necessary assembly, start-up, and maintenance work must be performed by qualified and authorized personnel only.

Local legislations must be respected. This comprises also cable size and isolation (reinforced type).

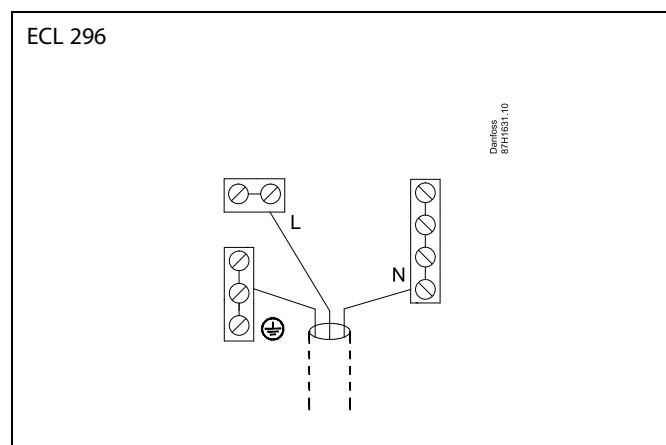
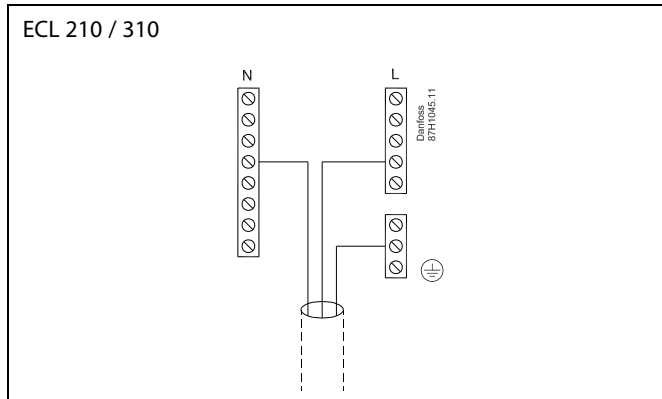
A fuse for the ECL Comfort installation is max. 10 A typically.

The ambient temperature range for the ECL Comfort in operation is 0 - 55 °C. Exceeding this temperature range can result in malfunctions.

Installation must be avoided if there is a risk for condensation (dew).

Operating Guide ECL Comfort 310, application A368

The common ground terminal is used for connection of relevant components (pumps, motorized control valves).



See also the Installation Guide (delivered with the application key) for application specific connections.



Wire cross section: 0.5 - 1.5 mm²
 Incorrect connection can damage the electronic outputs.
 Max. 2 x 1.5 mm² wires can be inserted into each screw terminal.

Maximum load ratings:


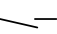

| | | |
|----|--------------------------------------|--|
| R | Relay terminals | 4 (2) A / 230 V a.c. (4 A for ohmic load, 2 A for inductive load) |
| Tr | Triac (= electronic relay) terminals | 0,2 A / 230 V a.c. |

Operating Guide ECL Comfort 310, application A368

2.5.2 Electrical connections 24 V a.c.

See also the Installation Guide (delivered with the application key) for application specific connections.

Maximum load ratings:

| | | |
|--|--------------------------------------|---|
| R  R  | Relay terminals | 4 (2) A / 24 V a.c. (4 A for ohmic load, 2 A for inductive load) |
| Tr  | Triac (= electronic relay) terminals | 1 A / 24 V a.c. |



Do not connect 230 V a.c. powered components to a 24 V a.c. power supplied controller directly. Use auxiliary relays (K) to separate 230 V a.c. from 24 V a.c.

Operating Guide ECL Comfort 310, application A368

2.5.3 Electrical connections, safety thermostats, in general

See also the Installation Guide (delivered with the application key) for application specific connections.

The connection diagrams show various solutions / examples:

Safety thermostat, 1-step closing:
Motorized control valve without safety function

Safety thermostat, 1-step closing:
Motorized control valve with safety function

Safety thermostat, 2-step closing:
Motorized control valve with safety function



When ST is activated by a high temperature, the safety circuit in the motorized control valve closes the valve immediately.



When ST1 is activated by a high temperature (the TR temperature), the motorized control valve is closed gradually. At a higher temperature (the ST temperature), the safety circuit in the motorized control valve closes the valve immediately.

Operating Guide ECL Comfort 310, application A368

2.5.4 Electrical connections, Pt 1000 temperature sensors and signals

A368, Pt 1000, ECL 310

| | S1 | S2 | S3 | S4 | S5 | S6 | S7 | S8 |
|--------|----|----|----|----|----|----|----|----|
| A368.1 | ✓ | | ✓ | ✓ | ✓ | ✓ | | |
| A368.2 | ✓ | ✓ | ✓ | ✓ | ✓ | ✓ | | |
| A368.3 | ✓ | | ✓ | ✓ | ✓ | ✓ | | |
| A368.4 | ✓ | ✓ | ✓ | ✓ | ✓ | ✓ | | |
| A368.5 | ✓ | | ✓ | ✓ | ✓ | ✓ | | |
| A368.6 | ✓ | ✓ | ✓ | ✓ | ✓ | ✓ | | ✓ |

| Sensor | Description | Recommended type |
|--------|---|-----------------------------|
| S1 | Outdoor temperature sensor* | ESMT |
| S2 | Supply flow temperature sensor | ESM-11 / ESMB / ESMC / ESMU |
| S3 | Flow temperature sensor**, heating | ESM-11 / ESMB / ESMC / ESMU |
| S4 | Flow temperature sensor**, DHW | ESMB / ESMU |
| S5 | Return temperature sensor, heating | ESM-11 / ESMB / ESMC / ESMU |
| S6 | Return temperature sensor, DHW | ESM-11 / ESMB / ESMC / ESMU |
| S7 | Differential pressure switch, heating | |
| S8 | Differential pressure switch, DHW or Return temperature sensor, DHW circulation | ESM-11 / ESMB / ESMC / ESMU |
| S9 | Alarm switch | |
| S10 | Pressure transmitter (0–10 V or 4–20 mA) or pressure switch | |

* If the outdoor temperature sensor is not connected or the cable is short-circuited, the controller assumes that the outdoor temperature is 0 (zero) °C.

** The flow temperature sensor must always be connected in order to have the desired functionality. If the sensor is not connected or the cable is short-circuited, the motorized control valve closes (safety function).



Wire cross section for sensor connections: Min. 0.4 mm².
Total cable length: Max. 200 m (all sensors incl. internal ECL 485 communication bus).
Cable lengths of more than 200 m may cause noise sensibility (EMC).

Operating Guide ECL Comfort 310, application A368

Connection of flow meter

See the Installation Guide (delivered with the application key).

Connection of flow switch or alarm contact / switch

The alarm contact acts as a Normally Closed (NC) contact. The set-up can be changed to react on a Normally Open (NO) contact. See Circuit 1 > MENU > Alarm > Digital > Alarm value:

0 = Alarm for NO contact

1 = Alarm for NC contact

Connection of pressure transmitter

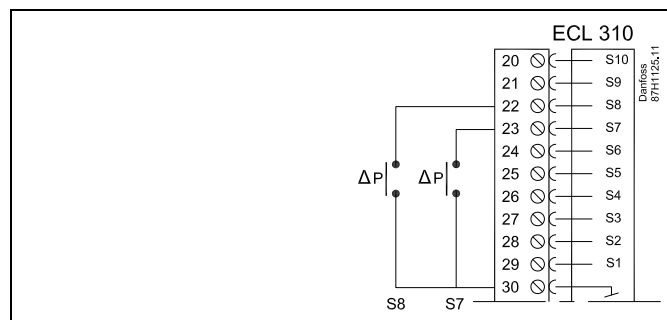
Scale for conversion of voltage to pressure is set in the ECL Comfort.

The pressure transmitter is powered with 12 - 24 V d.c.

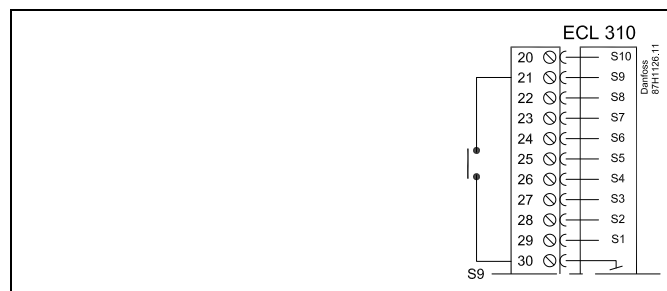
Output types: 0 - 10 V or 4 - 20 mA.

4 - 20 mA signal is converted to a 2 - 10 V signal by means of a 500 ohm (0,5 W) resistor.

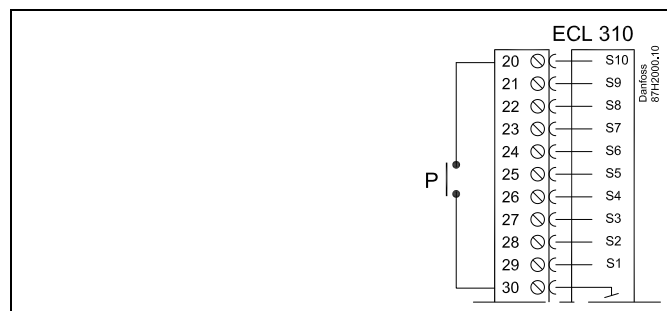
Connection of 2 differential pressure switches



Connection of alarm switch, S9



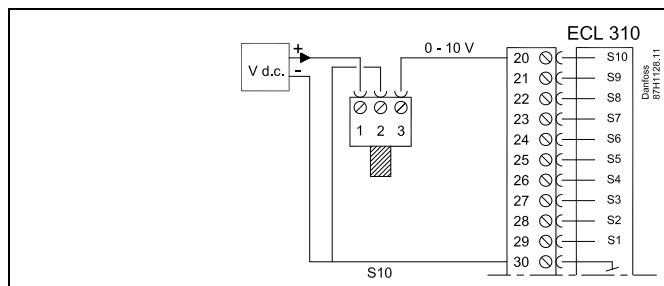
Connection of a pressure switch



Operating Guide ECL Comfort 310, application A368

Connection of pressure transmitter with 0-10 V output

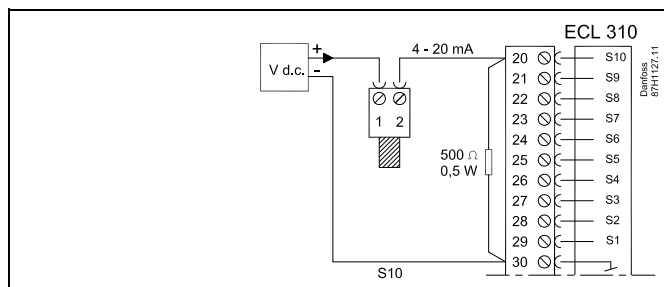
V d.c.: The pressure transmitter is powered with 12 - 24 V d.c.



Connection of pressure transmitter with 4-20 mA output

V d.c.: The pressure transmitter is powered with 12 - 24 V d.c.

The 4-20 mA signal is converted to a 2-10 V signal by means of the 500 ohm (0,5 W) resistor.



Wire cross section for sensor connections: Min. 0.4 mm².
 Total cable length: Max. 200 m (all sensors incl. internal ECL 485 communication bus)
 Cable lengths of more than 200 m may cause noise sensibility (EMC).

Operating Guide ECL Comfort 310, application A368

Pt 1000 temperature sensors and signals

A368, ECA 32

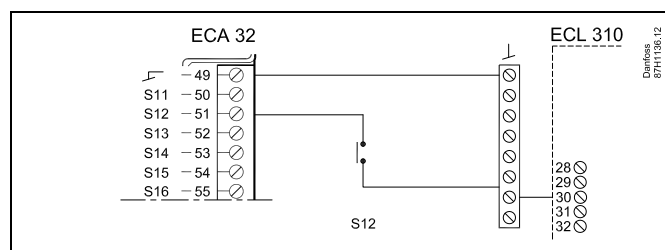
| | S11 | S12 | S13 | S14 | S15 | S16 |
|--------|-----|-----|-----|-----|-----|-----|
| A368.1 | | | | | | |
| A368.2 | | | | | | |
| A368.3 | | | | | | |
| A368.4 | | | | | | |
| A368.5 | ✓ | | ✓ | | | |
| A368.6 | | | | | | |



See also the A368 Mounting Guide.

| Sensor | Description | Recommended type |
|--------|---|---|
| S11 | Heating, secondary side, return temperature sensor or Pressure transmitter, 0–10 V or 4–20 mA | Temp. sensor: ESM-11 / ESMB / ESMC / ESMU |
| S12 | Alarm switch | |
| S13 | DHW circulation, return temperature sensor or Pressure transmitter, 0–10 V or 4–20 mA | Temp. sensor: ESM-11 / ESMB / ESMC / ESMU |
| S14 | Pressure transmitter, 0–10 V or 4–20 mA | |
| S15 | Pressure transmitter, 0–10 V or 4–20 mA | |
| S16 | Pressure transmitter, 0–10 V or 4–20 mA | |

Connection of alarm switch S12



Wire cross section for sensor connections: Min. 0.4 mm².
 Total cable length: Max. 200 m (all sensors incl. internal ECL 485 communication bus)
 Cable lengths of more than 200 m may cause noise sensibility (EMC).

Operating Guide ECL Comfort 310, application A368

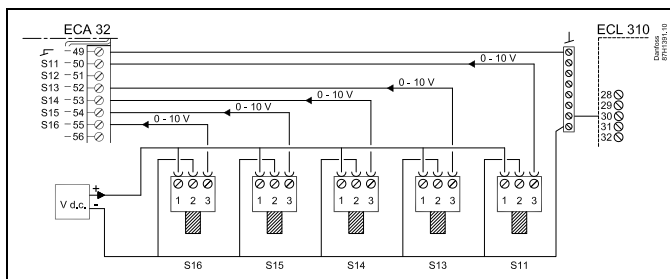
Pressure transmitters

A368, ECA 32

| | S11 | S12 | S13 | S14 | S15 | S16 |
|--------|-----|-----|-----|-----|-----|-----|
| A368.1 | | | | | | |
| A368.2 | | | | | | |
| A368.3 | ✓ | | ✓ | ✓ | ✓ | ✓ |
| A368.4 | ✓ | | ✓ | ✓ | ✓ | ✓ |
| A368.5 | | | | ✓ | ✓ | ✓ |
| A368.6 | | | | | | |

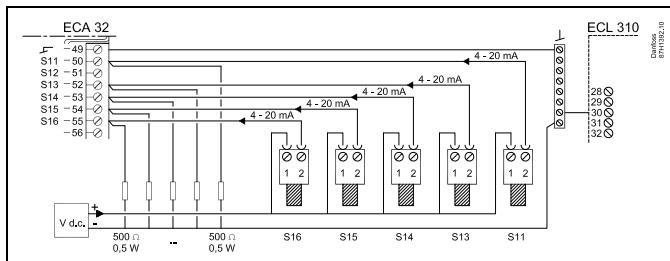
See also the A368 Mounting Guide.

Connection of pressure transmitter with 0-10 V output V d.c.: The pressure transmitter is powered with 12 - 24 V d.c.



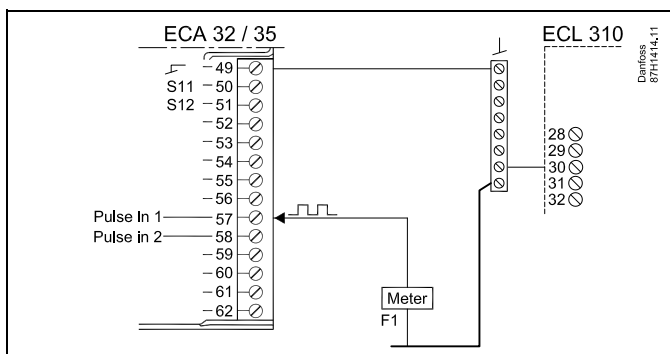
See also the A368 Mounting Guide.

Connection of pressure transmitter with 4-20 mA output V d.c.: The pressure transmitter is powered with 12 - 24 V d.c. The 4-20 mA signal is converted to a 2-10 V signal by means of the 500 ohm (0,5 W) resistor.



See also the A368 Mounting Guide.

A368.5: ECA 32, connection of water meter. Pulse type, input F1.



Operating Guide ECL Comfort 310, application A368

2.5.5 Electrical connections, ECA 30 / 31

| Terminal ECL | Terminal ECA 30 / 31 | Description | Type (recomm.) |
|--------------|----------------------|-------------------------------|------------------------|
| 30 | 4 | Twisted pair | Cable 2 x twisted pair |
| 31 | 1 | | |
| 32 | 2 | Twisted pair | |
| 33 | 3 | | |
| | 4 | Ext. room temperature sensor* | ESM-10 |
| | 5 | | |

* After an external room temperature sensor has been connected, ECA 30 / 31 must be repowered.

The communication to the ECA 30 / 31 must be set up in the ECL Comfort controller in 'ECA addr.'

The ECA 30 / 31 must be set up accordingly.

After application setup the ECA 30 / 31 is ready after 2–5 min. A progress bar in the ECA 30 / 31 is displayed.



If the actual application contains two heating circuits, it is possible to connect an ECA 30 / 31 to each circuit. The electrical connections are done in parallel.



Max. 2 ECA 30 / 31 can be connected to an ECL Comfort 310 controller or to ECL Comfort 210 / 296 / 310 controllers in a master-slave system.



Setup procedures for ECA 30 / 31: See section 'Miscellaneous'.



ECA information message:
 'Application req. newer ECA':
 The software (firmware) of your ECA does not comply with the software (firmware) of your ECL Comfort controller. Please contact your Danfoss sales office.



Some applications do not contain functions related to actual room temperature. The connected ECA 30 / 31 will only function as remote control.



Total cable length: Max. 200 m (all sensors incl. internal ECL 485 communication bus).
Cable lengths of more than 200 m may cause noise sensibility (EMC).

2.5.6 Electrical connections, master / slave systems

The controller can be used as master or slave in master / slave systems via the internal ECL 485 communication bus (2 x twisted pair cable).

The ECL 485 communication bus is not compatible with the ECL bus in ECL Comfort 110, 200, 300 and 301!

| Terminal | Description | Type (recomm.) |
|----------|--|------------------------|
| 30 | Common terminal | Cable 2 x twisted pair |
| 31 | +12 V*, ECL 485 communication bus * Only for ECA 30 / 31 and master / slave communication | |
| 32 | B, ECL 485 communication bus | |
| 33 | A, ECL 485 communication bus | |



ECL 485 bus cable

Maximum recommended length of the ECL 485 bus is calculated like this:

Subtract "Total length of all input cables of all ECL controllers in the master - slave system" from 200 m.

Simple example for total length of all input cables, 3 x ECL:

| | | |
|---------|-----------------------|------|
| 1 x ECL | Outdoor temp. sensor: | 15 m |
| 3 x ECL | Flow temp. sensor: | 18 m |
| 3 x ECL | Return temp. sensor: | 18 m |
| 3 x ECL | Room temp. sensor: | 30 m |
| Total: | | 81 m |

Maximum recommended length of the ECL 485 bus:
200 - 81 m = 119 m

2.5.7 Electrical connections, communication

Electrical connections, Modbus

ECL Comfort 210: Non-galvanic isolated Modbus connections
ECL Comfort 296: Galvanic isolated Modbus connections
ECL Comfort 310: Galvanic isolated Modbus connections

2.5.8 Electrical connections, communication

Electrical connections, M-bus

ECL Comfort 210: Not implemented

ECL Comfort 296: On board, non-galvanic isolated. Max. cable length 50 m.

ECL Comfort 310: On board, non-galvanic isolated. Max. cable length 50 m.

Operating Guide ECL Comfort 310, application A368

2.6 Inserting the ECL Application Key

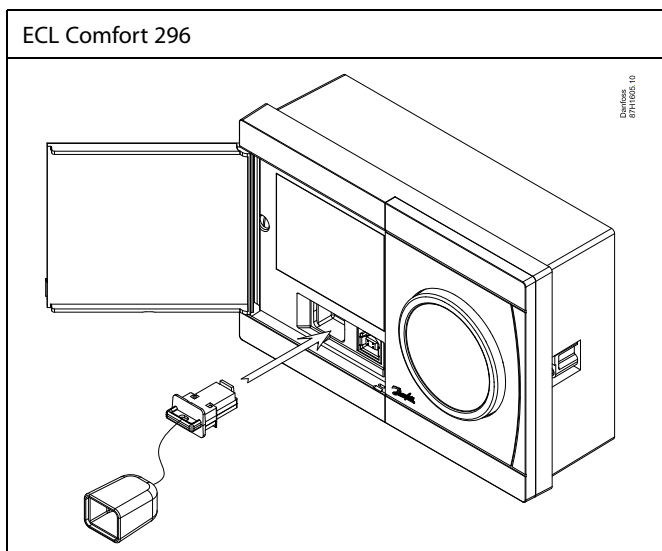
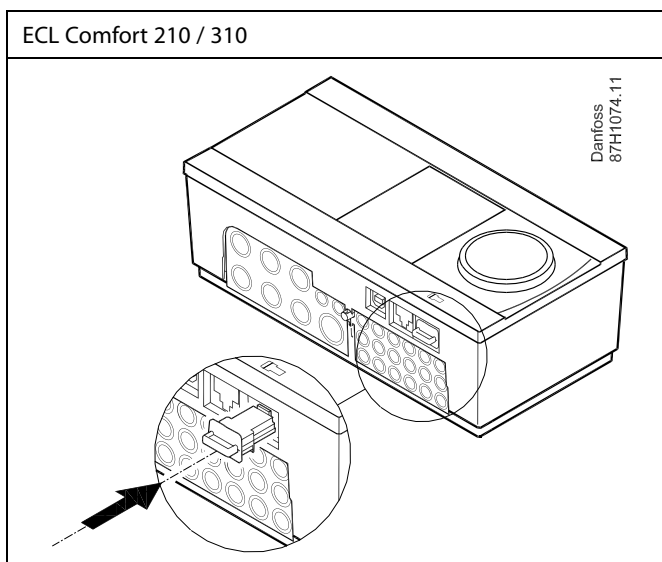
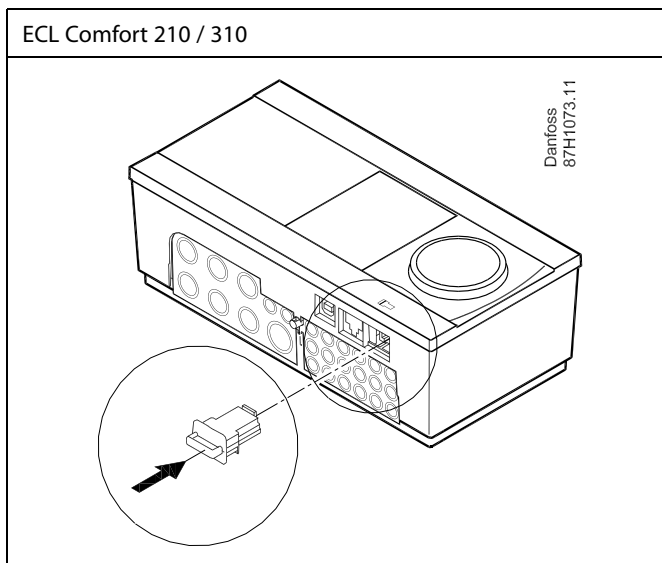
2.6.1 Inserting the ECL Application Key

The ECL Application Key contains

- the application and its subtypes,
- currently available languages,
- factory settings: e.g. schedules, desired temperatures, limitation values etc. It is always possible to recover the factory settings,
- memory for user settings: special user / system settings.

After having powered-up the controller, different situations might be existing:

1. The controller is new from the factory, the ECL Application Key is not inserted.
2. The controller already runs an application. The ECL Application Key is inserted, but the application needs to be changed.
3. A copy of the controllers settings is needed for configuring another controller.



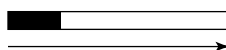
User settings are, among others, desired room temperature, desired DHW temperature, schedules, heat curve, limitation values etc.

System settings are, among others, communication set-up, display brightness etc.



Automatic update of controller software (firmware):

The software of the controller is updated automatically when the key is inserted (as of controller version 1.11 (ECL 210 / 310) and version 1.58 (ECL 296)). The following animation will be shown when the software is being updated:



Progress bar

During update:

- Do not remove the KEY
If the key is removed before the hour-glass is shown, you have to start afresh.
- Do not disconnect the power
If the power is interrupted when the hour-glass is shown, the controller will not work.
- Manual update of controller software (firmware):
See the section "Automatic / manual update of firmware"



The "Key overview" does not inform — through ECA 30 / 31 — about the subtypes of the application key.



Key inserted / not inserted, description:

ECL Comfort 210 / 310, controller versions lower than 1.36:

- Take out the application key; for 20 minutes settings can be changed.
- Power up the controller **without** the application key inserted; for 20 minutes settings can be changed.

ECL Comfort 210 / 310, controller versions 1.36 and up:

- Take out the application key; for 20 minutes settings can be changed.
- Power up the controller **without** the application key inserted; settings cannot be changed.

ECL Comfort 296 , controller versions 1.58 and up:

- Take out the application key; for 20 minutes settings can be changed.
- Power up the controller **without** the application key inserted; settings cannot be changed.

Operating Guide ECL Comfort 310, application A368

Application Key: Situation 1

The controller is new from the factory, the ECL Application Key is not inserted.

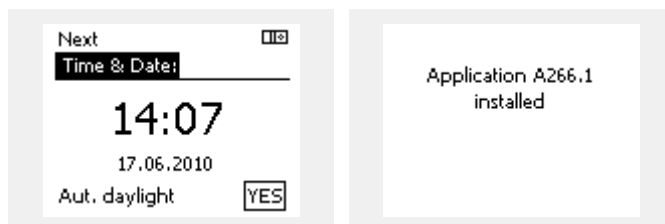
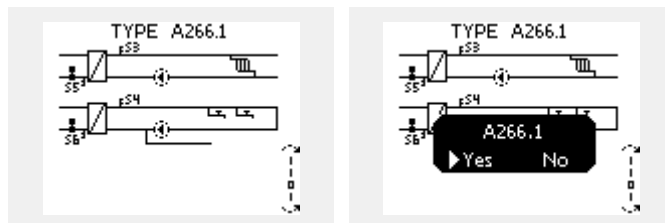
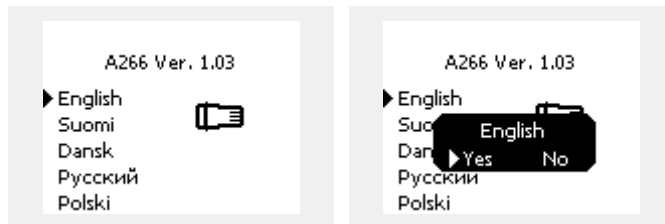
An animation for the ECL Application Key insertion is displayed. Insert the Application Key.

Application Key name and Version is indicated (example: A266 Ver. 1.03).

If the ECL Application Key is not suitable for the controller, a "cross" is displayed over the ECL Application Key-symbol.



| Action: | Purpose: | Examples: |
|---------|---|-----------|
| | Select language | |
| | Confirm | |
| | Select application (subtype) | |
| | Some keys have only one application. | |
| | Confirm with 'Yes' | |
| | Set 'Time & Date' | |
| | Turn and push the dial to select and change 'Hours', 'Minutes', 'Date', 'Month' and 'Year'. | |
| | Choose "Next" | |
| | Confirm with 'Yes' | |
| | Go to 'Aut. daylight' | |
| | Choose whether 'Aut. daylight' * should be active or not | YES or NO |



* 'Aut. daylight' is the automatic changeover between summer and winter time.

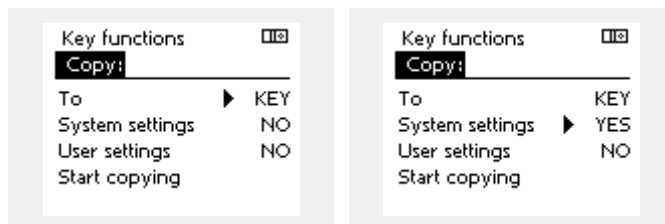
Depending on the contents of the ECL Application Key, procedure A or B is taking place:

A

The ECL Application key contains factory settings:

The controller reads / transfers data from the ECL Application Key to ECL controller.

The application is installed, and the controller resets and starts up.



B

The ECL Application key contains changed system settings:

Push the dial repeatedly.

'NO': Only factory settings from the ECL Application Key will be copied to the controller.

'YES*': Special system settings (differing from the factory settings) will be copied to the controller.

If the key contains user settings:

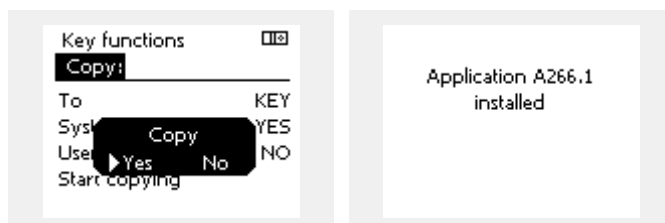
Push the dial repeatedly.

'NO': Only factory settings from the ECL Application Key will be copied to the controller.

'YES*': Special user settings (differing from the factory settings) will be copied to the controller.

* If 'YES' cannot be chosen, the ECL Application Key does not contain any special settings.

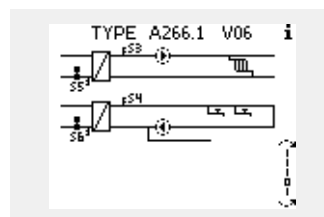
Choose 'Start copying' and confirm with 'Yes'.



Operating Guide ECL Comfort 310, application A368

(Example):

The "i" in the upper right corner indicates that - besides the factory settings - the subtype also contains special user / systems settings.

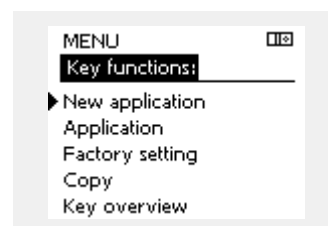
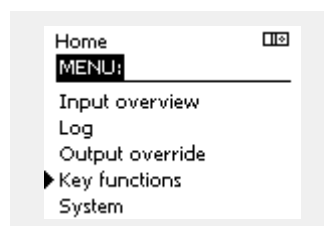


Application Key: Situation 2

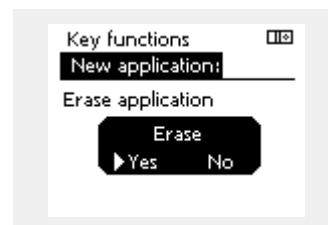
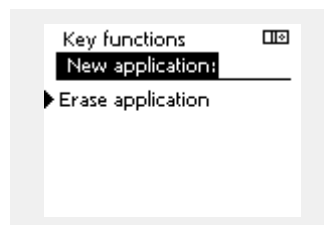
The controller already runs an application. The ECL Application Key is inserted, but the application needs to be changed.

To change to another application on the ECL Application Key, the current application in the controller must be erased (deleted).

Be aware that the Application Key must be inserted.



| Action: | Purpose: | Examples: |
|---------|--|-----------|
| | Choose 'MENU' in any circuit | MENU |
| | Confirm | |
| | Choose the circuit selector at the top right corner in the display | |
| | Confirm | |
| | Choose 'Common controller settings' | |
| | Confirm | |
| | Choose 'Key functions' | |
| | Confirm | |
| | Choose 'Erase application' | |
| | Confirm with 'Yes' | |



The controller resets and is ready to be configured.

Follow the procedure described in situation 1.

Operating Guide ECL Comfort 310, application A368

Application Key: Situation 3

A copy of the controllers settings is needed for configuring another controller.

This function is used

- for saving (backup) of special user and system settings
- when another ECL Comfort controller of the same type (210, 296 or 310) must be configured with the same application but user / system settings differ from the factory settings.

How to copy to another ECL Comfort controller:

| Action: | Purpose: | Examples: |
|---------|--|---------------------|
| | Choose 'MENU' | MENU |
| | Confirm | |
| | Choose the circuit selector at the top right corner in the display | |
| | Confirm | |
| | Choose 'Common controller settings' | |
| | Confirm | |
| | Go to 'Key functions' | |
| | Confirm | |
| | Choose 'Copy' | |
| | Confirm | |
| | Choose 'To': 'ECL' or 'KEY' will be indicated. Choose 'ECL' or 'KEY' | * 'ECL' or 'KEY' |
| | Push the dial repeatedly to choose copy direction | |
| | Choose 'System settings' or 'User settings' | ** 'NO' or 'YES' |
| | Push the dial repeatedly to choose 'Yes' or 'No' in 'Copy'. Push to confirm. | |
| | Choose 'Start copying' | |
| | The Application Key or the controller is updated with special system or user settings. | |

*

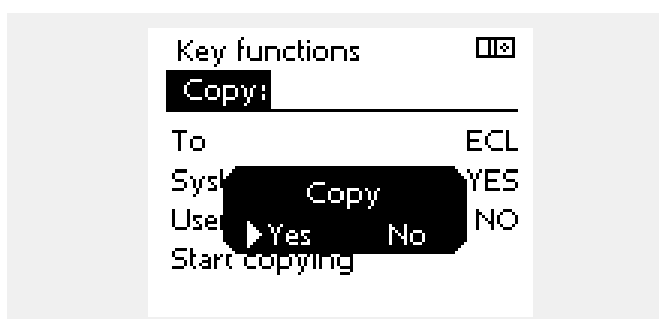
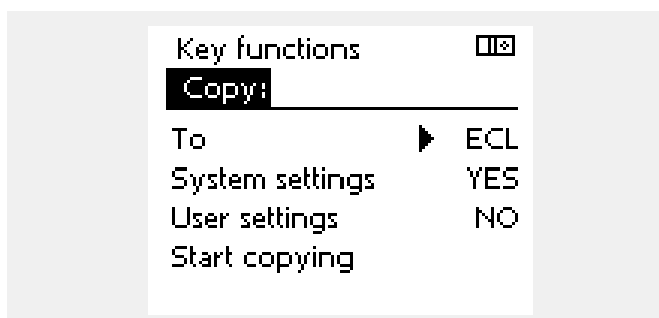
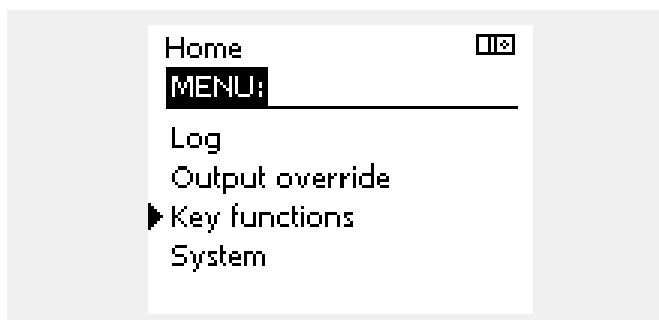
'ECL': Data will be copied from the Application Key to the ECL Controller.

'KEY': Data will be copied from the ECL Controller to the Application Key.

**

'NO': The settings from the ECL controller will not be copied to the Application Key or to the ECL Comfort controller.

'YES': Special settings (differing from the factory settings) will be copied to the Application Key or to the ECL Comfort controller. If YES can not be chosen, there are no special settings to be copied.



Operating Guide ECL Comfort 310, application A368

Language

At application upload, a language must be selected.*
 If another language than English is selected, the selected language **AND** English will be uploaded into the ECL controller.
 This makes service easy for English speaking service people, just because the English language menus can be visible by changing the actual set language into English.
 (Navigation: MENU > Common controller > System > Language)

If the uploaded language is not suitable, the application must be erased. User and System settings can be saved on the application key before erasing.
 After new upload with preferred language, the existing User and System settings can be uploaded.

*)
 (ECL Comfort 310, 24 Volt) If language cannot be selected, the power supply is not a.c. (alternating current).

2.6.2 ECL Application Key, copying data

General principles

When the controller is connected and operating, you can check and adjust all or some of the basic settings. The new settings can be stored on the Key.

How to update the ECL Application Key after settings have been changed?

All new settings can be stored on the ECL Application Key.

How to store factory setting in the controller from the Application Key?

Please read the paragraph concerning Application Key, Situation 1: The controller is new from the factory, the ECL Application Key is not inserted.

How to store personal settings from the controller to the Key?

Please read the paragraph concerning Application Key, Situation 3: A copy of the controllers settings is needed for configuring another controller

As a main rule, the ECL Application Key should always remain in the controller. If the Key is removed, it is not possible to change settings.



Factory settings can always be restored.



Make a note of new settings in the 'Settings overview' table.



Do not remove the ECL Application Key while copying. The data on the ECL Application Key can be damaged!



It is possible to copy settings from one ECL Comfort controller to another controller provided that the two controllers are from the same series (210 or 310).
 Furthermore, when the ECL Comfort controller has been uploaded with an application key, minimum version 2.44, it is possible to upload personal settings from application keys, minimum version 2.14.



The "Key overview" does not inform — through ECA 30 / 31 — about the subtypes of the application key.



Key inserted / not inserted, description:

ECL Comfort 210 / 310, controller versions lower than 1.36:

- Take out the application key; for 20 minutes settings can be changed.
- Power up the controller **without** the application key inserted; for 20 minutes settings can be changed.

ECL Comfort 210 / 310, controller versions 1.36 and up:

- Take out the application key; for 20 minutes settings can be changed.
- Power up the controller **without** the application key inserted; settings cannot be changed.

ECL Comfort 296 , controller versions 1.58 and up:

- Take out the application key; for 20 minutes settings can be changed.
- Power up the controller **without** the application key inserted; settings cannot be changed.

2.7 Check list



Is the ECL Comfort controller ready for use?

- Make sure that the correct power supply is connected to terminals 9 and 10 (230 V or 24 V).
- Make sure the correct phase conditions are connected:
230 V: Live = terminal 9 and Neutral = terminal 10
24 V: SP = terminal 9 and SN = terminal 10
- Check that the required controlled components (actuator, pump etc.) are connected to the correct terminals.
- Check that all sensors / signals are connected to the correct terminals (see 'Electrical connections').
- Mount the controller and switch on the power.
- Is the ECL Application Key inserted (see 'Inserting the Application Key').
- Does the ECL Comfort controller contain an existing application (see 'Inserting the Application Key').
- Is the correct language chosen (see 'Language' in 'Common controller settings').
- Is the time & date set correctly (see 'Time & Date' in 'Common controller settings').
- Is the right application chosen (see 'Identifying the system type').
- Check that all settings in the controller (see 'Settings overview') are set or that the factory settings comply with your requirements.
- Choose manual operation (see 'Manual control'). Check that valves open and close, and that required controlled components (pump etc.) start and stop when operated manually.
- Check that the temperatures / signals shown in the display match the actual connected components.
- Having completed the manual operation check, choose controller mode (scheduled, comfort, saving or frost protection).

Operating Guide ECL Comfort 310, application A368

2.8 Navigation, ECL Application Key A368

Navigation, application A368.1 and A368.3, circuit 1 and 2

| Home | | Circuit 1, Heating | | Circuit 2, DHW | |
|--------------------|------------------|--------------------|---------------|-----------------|--------------|
| | | ID no. | Function | ID no. | Function |
| MENU | | | | | |
| Schedule | | Selectable | | Selectable | |
| Settings | Flow temperature | | Heat curve | | |
| | | 11178 | Temp. max. | 12178 | Temp. max. |
| | | 11177 | Temp. min. | 12177 | Temp. min. |
| | | 11004 | Desired T | | |
| | Return limit | | | 12030 | Limit |
| | | 11031 | High T out X1 | | |
| | | 11032 | Low limit Y1 | | |
| | | 11033 | Low T out X2 | | |
| | | 11034 | High limit Y2 | | |
| | | 11035 | Infl. - max. | 12035 | Infl. - max. |
| | 11036 | Infl. - min. | 12036 | Infl. - min. | |
| | 11037 | Adapt. time | 12037 | Adapt. time | |
| | 11085 | Priority | 12085 | Priority | |
| | 11029 | DHW, ret. T limit | | | |
| | 11028 | Con. T, re. T lim. | | | |
| Flow / power limit | | Actual | | Actual | |
| | | Limit | 12111 | Limit | |
| | 11119 | High T out X1 | | | |
| | 11117 | Low limit Y1 | | | |
| | 11118 | Low T out X2 | | | |
| | 11116 | High limit Y2 | | | |
| | 11112 | Adapt. time | 12112 | Adapt. time | |
| | 11113 | Filter constant | 12113 | Filter constant | |
| | 11109 | Input type | 12109 | Input type | |
| | 11115 | Units | 12115 | Units | |
| Optimization | 11011 | Auto saving | | | |
| | 11012 | Boost | | | |
| | 11013 | Ramp | | | |
| | 11014 | Optimizer | | | |
| | 11026 | Pre stop | | | |
| | 11021 | Total stop | | | |
| | 11179 | Summer, cut-out | | | |
| | 11043 | Parallel operation | | | |
| Control par. | | | 12173 | Auto tuning | |
| | 11174 | Motor pr. | 12174 | Motor pr. | |
| | 11184 | Xp | 12184 | Xp | |
| | 11185 | Tn | 12185 | Tn | |
| | 11186 | M run | 12186 | M run | |
| | 11187 | Nz | 12187 | Nz | |
| | 11189 | Min. act. time | 12189 | Min. act. time | |

Operating Guide ECL Comfort 310, application A368

Navigation, applications A368.1 and A368.3, circuit 1 and circuit 2 continued

| Home MENU | | Circuit 1, Heating | | Circuit 2, DHW | |
|-----------------|----------------|--------------------|-------------------|----------------|------------------|
| | | ID no. | Function | ID no. | Function |
| Settings | Pump control | 11314 | Chan.-over time | 12314 | Chan.-over time |
| | | 11310 | Retry time | 12310 | Retry time |
| | | 11313 | Stab. time | 12313 | Stab. time |
| | | 11311 | Change, duration | 12311 | Change, duration |
| | | 11312 | Change time | 12312 | Change time |
| | | 11022 | P exercise | 12022 | P exercise |
| | Refill water | | Pressure | | |
| | | 11327 | Input type | | |
| | | 11323 | Time-out | | |
| | | 11321 | Pressure, des. | | |
| | | 11322 | Pressure, diff. | | |
| | | 11320 | P exercise | | |
| | | 11325 | Valve delay | | |
| | | 11326 | No. of pumps | | |
| | | 11316 | Alarm handling | | |
| | Application | 11017 | Demand offset | | |
| | | 11500 | Send desired T | 12500 | Send desired T |
| | | 11023 | M exercise | 12023 | M exercise |
| | | 11052 | DHW priority | | |
| | | 11077 | P frost T | 12077 | P frost T |
| | | 11078 | P heat T | 12078 | P heat T |
| | | 11093 | Frost pr. T | 12093 | Frost pr. T |
| | | 11141 | Ext. input | 12141 | Ext. input |
| | | 11142 | Ext. mode | 12142 | Ext. mode |
| | Heat cut-out | 11393 | Sum. start, day | | |
| | | 11392 | Sum. start, month | | |
| | | 11179 | Summer, cut-out | | |
| | | 11395 | Summer, filter | | |
| | | 11397 | Winter start, day | | |
| | | 11396 | Win. start, month | | |
| | | 11398 | Winter, cut-out | | |
| | | 11399 | Winter, filter | | |
| | Anti-bacteria | | | | Day |
| | | | | | Start time |
| | | | | | Duration |
| | | | | | Desired T |
| Holiday | | Selectable | | Selectable | |
| Alarm | Temp. monitor. | 11147 | Upper difference | 12147 | Upper difference |
| | | 11148 | Lower difference | 12148 | Lower difference |
| | | 11149 | Delay | 12149 | Delay |
| | | 11150 | Lowest temp. | 12150 | Lowest temp. |
| | Clear alarm | 11315 | Circ. pumps | 12315 | Circ. pumps |
| | | 11324 | Refill water | | |
| | Alarm overview | Selectable | | Selectable | |

Operating Guide ECL Comfort 310, application A368

Navigation, applications A368.1 and A368.3, circuit 1 and circuit 2 continued

| Home MENU | | Circuit 1, Heating | | Circuit 2, DHW | |
|--------------------|-------------|--------------------|-------------------|----------------|-------------------|
| | | ID no. | Function | ID no. | Function |
| Influence overview | Des. flow T | | Return lim. | | Return lim. |
| | | | Parallel priority | | |
| | | | Flow / power lim. | | Flow / power lim. |
| | | | Holiday | | Holiday |
| | | | Ext. override | | Ext. override |
| | | | Boost | | |
| | | | Ramp | | |
| | | | Slave, demand | | |
| | | | Heating cut-out | | |
| | | | DHW priority | | Anti-bacteria |

Operating Guide ECL Comfort 310, application A368

Navigation, applications A368.1 and A368.3; Common controller settings (* A368.3 only)

| Home MENU | | Common controller settings | |
|--------------------|---|---|---------------|
| | | ID no. | Function |
| Time & Date | | Selectable | |
| Settings* | | S11, S13 ... S16 press. sensor | |
| Holiday | | Selectable | |
| Input overview | | Outdoor T Heat flow T DHW flow T Heat return T DHW return T Static pressure S11, S13 ... S16 pressure* S7, S8, S9, S12* status | |
| Log (sensors) | Outdoor T Heating flow & des. DHW flow & des. Heat return T & limit DHW return T & limit Static pressure | Log today Log yesterday Log 2 days Log 4 days | |
| Output override | | M1, P1, P2, M2, P3, P5, V1, P4, P7*, A1 | |
| Alarm | Digital S9 Digital S12* Alarm overview | Alarm value Alarm time-out Digital S9, digital S12* | |
| Key functions | | New application | |
| | | Application | |
| | | Factory setting | |
| | | Copy | |
| | | System settings User settings Go to factory | |
| | | To System settings User settings Start copying | |
| System | | ECL version | |
| | | Code no. Hardware Software Build no. Serial no. MAC Production week | |
| Extension | | | |
| Ethernet | | | |
| Portal config | | Selectable | |
| M-bus config | | Selectable | |
| Energy Meters | | Selectable | |
| Raw input overview | | Selectable | |
| Alarm | | | |
| Display | | 60058 | Backlight |
| | | 60059 | Contrast |
| Communication | | 2048 | ECL 485 addr. |
| | | 38 | Modbus addr. |
| | | 39 | Baud |
| | | 2150 | Service pin |
| | | 2151 | Ext. reset |
| Language | | 2050 | Language |

Operating Guide ECL Comfort 310, application A368

Navigation, applications A368.2 and A368.4, circuit 1 and 2

| Home | | Circuit 1, Heating | | Circuit 2, DHW | | | |
|--------------------|-------------------|--------------------|-----------------|-----------------|------------|-------|-------|
| | | ID no. | Function | ID no. | Function | | |
| MENU | | | | | | | |
| Schedule | | | Selectable | | Selectable | | |
| Settings | Flow temperature | | Heat curve | | | | |
| | | 11178 | Temp. max. | 12178 | Temp. max. | | |
| | | 11177 | Temp. min. | 12177 | Temp. min. | | |
| | | 11300 | High supp. T X2 | | | | |
| | | 11301 | High T max Y2 | | | | |
| | | 11302 | Low supply T X1 | | | | |
| | | 11303 | Low T max Y1 | | | | |
| | | 11004 | Desired T | | | | |
| | | Return limit | | | | 12030 | Limit |
| | | | 11031 | High T out X1 | | | |
| 11032 | Low limit Y1 | | | | | | |
| 11033 | Low T out X2 | | | | | | |
| 11034 | High limit Y2 | | | | | | |
| 11035 | Infl. - max. | | 12035 | Infl. - max. | | | |
| 11036 | Infl. - min. | | 12036 | Infl. - min. | | | |
| 11037 | Adapt. time | | 12037 | Adapt. time | | | |
| 11085 | Priority | | 12085 | Priority | | | |
| 11029 | DHW, ret. T limit | | | | | | |
| Flow / power limit | | Actual | | Actual | | | |
| | | Limit | 12111 | Limit | | | |
| | 11119 | High T out X1 | | | | | |
| | 11117 | Low limit Y1 | | | | | |
| | 11118 | Low T out X2 | | | | | |
| | 11116 | High limit Y2 | | | | | |
| | 11112 | Adapt. time | 12112 | Adapt. time | | | |
| | 11113 | Filter constant | 12113 | Filter constant | | | |
| | 11109 | Input type | 12109 | Input type | | | |
| | 11115 | Units | 12115 | Units | | | |
| Optimization | 11011 | Auto saving | | | | | |
| | 11012 | Boost | | | | | |
| | 11013 | Ramp | | | | | |
| | 11014 | Optimizer | | | | | |
| | 11026 | Pre stop | | | | | |
| | 11021 | Total stop | | | | | |
| | 11179 | Summer, cut-out | | | | | |
| | 11043 | Parallel operation | | | | | |
| Control par. | | | 12173 | Auto tuning | | | |
| | 11174 | Motor pr. | 12174 | Motor pr. | | | |
| | 11184 | Xp | 12184 | Xp | | | |
| | 11185 | Tn | 12185 | Tn | | | |
| | 11186 | M run | 12186 | M run | | | |
| | 11187 | Nz | 12187 | Nz | | | |
| | 11189 | Min. act. time | 12189 | Min. act. time | | | |

Operating Guide ECL Comfort 310, application A368

Navigation, applications A368.2 and A368.4, circuit 1 and circuit 2 continued

| Home MENU | | Circuit 1, Heating | | Circuit 2, DHW | | |
|----------------|----------------|--------------------|------------------|----------------|------------------|--|
| | | ID no. | Function | ID no. | Function | |
| Settings | Pump control | 11314 | Chan.-over time | 12314 | Chan.-over time | |
| | | 11310 | Retry time | 12310 | Retry time | |
| | | 11313 | Stab. time | 12313 | Stab. time | |
| | | 11311 | Change, duration | 12311 | Change, duration | |
| | | 11312 | Change time | 12312 | Change time | |
| | | 11022 | P exercise | 12022 | P exercise | |
| | Refill water | | | Pressure | | |
| | | 11327 | Input type | | | |
| | | 11323 | Time-out | | | |
| | | 11321 | Pressure, des. | | | |
| | | 11322 | Pressure, diff. | | | |
| | | 11320 | P exercise | | | |
| | | 11325 | Valve delay | | | |
| | | 11326 | No. of pumps | | | |
| | Application | 11017 | Demand offset | | | |
| | | 11500 | Send desired T | 12500 | Send desired T | |
| | | 11023 | M exercise | 12023 | M exercise | |
| | | 11052 | DHW priority | | | |
| | | 11077 | P frost T | 12077 | P frost T | |
| | | 11078 | P heat T | 12078 | P heat T | |
| 11093 | | Frost pr. T | 12093 | Frost pr. T | | |
| 11141 | | Ext. input | 12141 | Ext. input | | |
| Heat cut-out | 11142 | Ext. mode | 12142 | Ext. mode | | |
| | 11393 | Sum. start, day | | | | |
| | 11392 | Sum. start, month | | | | |
| | 11179 | Summer, cut-out | | | | |
| | 11395 | Summer, filter | | | | |
| | 11397 | Winter start, day | | | | |
| | 11396 | Win. start, month | | | | |
| | 11398 | Winter, cut-out | | | | |
| Anti-bacteria | | | | Day | | |
| | | | | Start time | | |
| | | | | Duration | | |
| | | | | Desired T | | |
| Holiday | | Selectable | | Selectable | | |
| Alarm | Temp. monitor. | 11147 | Upper difference | 12147 | Upper difference | |
| | | 11148 | Lower difference | 12148 | Lower difference | |
| | | 11149 | Delay | 12149 | Delay | |
| | | 11150 | Lowest temp. | 12150 | Lowest temp. | |
| | Clear alarm | 11315 | Circ. pumps | 12315 | Circ. pumps | |
| | | 11324 | Refill water | | | |
| Alarm overview | | Selectable | | Selectable | | |

Operating Guide ECL Comfort 310, application A368

Navigation, applications A368.2 and A368.4, circuit 1 and circuit 2 continued

| Home MENU | | Circuit 1, Heating | | Circuit 2, DHW | |
|--------------------|-------------|--------------------|-------------------|----------------|-------------------|
| | | ID no. | Function | ID no. | Function |
| Influence overview | Des. flow T | | Return lim. | | Return lim. |
| | | | Parallel priority | | |
| | | | Flow / power lim. | | Flow / power lim. |
| | | | Holiday | | Holiday |
| | | | Ext. override | | Ext. override |
| | | | Boost | | |
| | | | Ramp | | |
| | | | Slave, demand | | |
| | | | Heating cut-out | | |
| | | | DHW priority | | Anti-bacteria |

Operating Guide ECL Comfort 310, application A368

Navigation, applications A368.2 and A368.4, Common controller settings (* A368.4 only)

| Home MENU | Common controller settings | |
|-----------------|---|---|
| | ID no. | Function |
| Time & Date | | Selectable |
| Settings* | | S11, S13 ... S16 press. sensor |
| Holiday | | Selectable |
| Input overview | | Outdoor T Supply T Heat flow T DHW flow T Heat return T DHW return T Static pressure S11, S13 ... S16 pressure* S7, S8, S9, S12* status |
| Log (sensors) | Outdoor T Supply T Heating flow & des. DHW flow & des. Heat return T & limit DHW return T & limit Static pressure | Log today Log yesterday Log 2 days Log 4 days |
| Output override | | M1, P1, P2, M2, P3, P5, V1, P4, P7*, A1 |
| Alarm | Digital S9 Digital S12* Alarm overview | Alarm value Alarm time-out Digital S9, digital S12* |
| Key functions | New application | Erase application |
| | Application | |
| | Factory setting | System settings User settings Go to factory |
| | Copy | To System settings User settings Start copying |
| System | Key overview | |
| | ECL version | Code no. Hardware Software Build no. Serial no. MAC Production week |
| | Extension | |
| | Ethernet | |
| | Portal config | Selectable |
| | M-bus config | Selectable |
| | Energy Meters | Selectable |
| | Raw input overview | Selectable |
| | Alarm | |
| | Display | 60058 Backlight 60059 Contrast |
| | Communication | 2048 ECL 485 addr. 38 Modbus addr. 39 Baud 2150 Service pin 2151 Ext. reset |
| | Language | 2050 Language |

Operating Guide ECL Comfort 310, application A368

Navigation, applications A368.5 and A368.6, circuit 1 and 2

| Home | | Circuit 1, Heating | | Circuit 2, DHW | |
|--------------------|------------------|--------------------|--------------------|-----------------|--------------|
| | | ID no. | Function | ID no. | Function |
| MENU | | | | | |
| Schedule | | Selectable | | Selectable | |
| Settings | Flow temperature | | Heat curve | | |
| | | 11178 | Temp. max. | 12178 | Temp. max. |
| | | 11177 | Temp. min. | 12177 | Temp. min. |
| | | 11004 | Desired T | | |
| | Return limit | | | 12030 | Limit |
| | | 11031 | High T out X1 | | |
| | | 11032 | Low limit Y1 | | |
| | | 11033 | Low T out X2 | | |
| | | 11034 | High limit Y2 | | |
| | | 11035 | Infl. - max. | 12035 | Infl. - max. |
| | | 11036 | Infl. - min. | 12036 | Infl. - min. |
| | | 11037 | Adapt. time | 12037 | Adapt. time |
| | | 11085 | Priority | 12085 | Priority |
| | | 11029 | DHW, ret. T limit | | |
| | | 11028 | Con. T, re. T lim. | | |
| Flow / power limit | | Actual | | Actual | |
| | | Limit | 12111 | Limit | |
| | 11119 | High T out X1 | | | |
| | 11117 | Low limit Y1 | | | |
| | 11118 | Low T out X2 | | | |
| | 11116 | High limit Y2 | | | |
| | 11112 | Adapt. time | 12112 | Adapt. time | |
| | 11113 | Filter constant | 12113 | Filter constant | |
| | 11109 | Input type | 12109 | Input type | |
| | 11115 | Units | 12115 | Units | |
| Optimization | | | | | |
| | 11011 | Auto saving | | | |
| | 11012 | Boost | | | |
| | 11013 | Ramp | | | |
| | 11014 | Optimizer | | | |
| | 11026 | Pre stop | | | |
| | 11021 | Total stop | | | |
| | 11179 | Summer, cut-out | | | |
| | 11043 | Parallel operation | | | |
| Control par. | | | 12173 | Auto tuning | |
| | 11174 | Motor pr. | 12174 | Motor pr. | |
| | 11184 | Xp | 12184 | Xp | |
| | 11185 | Tn | 12185 | Tn | |
| | 11186 | M run | 12186 | M run | |
| | 11187 | Nz | 12187 | Nz | |
| | 11189 | Min. act. time | 12189 | Min. act. time | |

Operating Guide ECL Comfort 310, application A368

Navigation, applications A368.5 and A368.6, circuit 1 and circuit 2 continued (* A368.5 only)

| Home MENU Settings | | Circuit 1, Heating | | Circuit 2, DHW | | |
|--------------------|----------------|--------------------|-------------------|-------------------|-------------------|----------------|
| | | ID no. | Function | ID no. | Function | |
| Settings | Pump control | 11314 | Chan.-over time | 12314 | Chan.-over time* | |
| | | 11310 | Retry time | 12310 | Retry time* | |
| | | 11313 | Stab. time | 12313 | Stab. time* | |
| | | 11311 | Change, duration | 12311 | Change, duration* | |
| | | 11312 | Change time | 12312 | Change time* | |
| | | 11022 | P exercise | 12022 | P exercise* | |
| | Refill water | | | Pressure | | |
| | | 11327 | Input type | | | |
| | | 11323 | Time-out | | | |
| | | 11321 | Pressure, des. | | | |
| | | 11322 | Pressure, diff. | | | |
| | | 11320 | P exercise | | | |
| | | 11325 | Valve delay | | | |
| | | 11326 | No. of pumps | | | |
| | Application | | 11017 | Demand offset | | |
| | | | 11500 | Send desired T | 12500 | Send desired T |
| | | | 11023 | M exercise | 12023 | M exercise |
| | | | 11052 | DHW priority | | |
| | | | 11077 | P frost T | 12077 | P frost T |
| | | | 11078 | P heat T | 12078 | P heat T |
| | | | 11093 | Frost pr. T | 12093 | Frost pr. T |
| | | | 11141 | Ext. input | 12141 | Ext. input |
| | | | 11142 | Ext. mode | 12142 | Ext. mode |
| | Heat cut-out | | 11393 | Sum. start, day | | |
| | | | 11392 | Sum. start, month | | |
| | | | 11179 | Summer, cut-out | | |
| | | | 11395 | Summer, filter | | |
| | | 11397 | Winter start, day | | | |
| | | 11396 | Win. start, month | | | |
| | | 11398 | Winter, cut-out | | | |
| | | 11399 | Winter, filter | | | |
| Water meter* | | | Consump. | | | |
| | | 11513 | Pulse value | | | |
| | | 11514 | Preset | | | |
| Anti-bacteria | | | | Day | | |
| | | | | Start time | | |
| | | | | Duration | | |
| | | | | Desired T | | |
| Holiday | | | Selectable | | Selectable | |
| Alarm | Temp. monitor. | 11147 | Upper difference | 12147 | Upper difference | |
| | | 11148 | Lower difference | 12148 | Lower difference | |
| | | 11149 | Delay | 12149 | Delay | |
| | | 11150 | Lowest temp. | 12150 | Lowest temp. | |
| | Clear alarm* | 11315 | Circ. pumps* | 12315 | Circ. pumps* | |
| | | 11324 | Refill water* | | | |
| Alarm overview | | Selectable | | Selectable | | |

Operating Guide ECL Comfort 310, application A368

Navigation, applications A368.5 and A368.6, circuit 1 and circuit 2 continued

| Home MENU | | Circuit 1, Heating | | Circuit 2, DHW | |
|--------------------|-------------|--------------------|-------------------|----------------|-------------------|
| | | ID no. | Function | ID no. | Function |
| Influence overview | Des. flow T | | Return lim. | | Return lim. |
| | | | Parallel priority | | |
| | | | Flow / power lim. | | Flow / power lim. |
| | | | Holiday | | Holiday |
| | | | Ext. override | | Ext. override |
| | | | Boost | | |
| | | | Ramp | | |
| | | | Slave, demand | | |
| | | | Heating cut-out | | |
| | | | DHW priority | | Anti-bacteria |

Operating Guide ECL Comfort 310, application A368

Navigation, applications A368.5 and A368.6, Common controller settings (* A368.5 only)

| Home MENU | Common controller settings | |
|-----------------|--|--|
| | ID no. | Function |
| Time & Date | | Selectable |
| Settings* | | S14, S15, S16 press. sensor |
| Holiday | | Selectable |
| Input overview | | Outdoor T Heat flow T Heat return T Heat sec. return T DHW flow T DHW return T Circ. return T Static pressure S14, S15, S16 pressure* S7, S8*, S9, S12* status Consump.* |
| Log (sensors) | Outdoor T Heating flow & des. Heat return T & limit Heat sec. return T DHW flow & des. DHW return T & lim. Circ. return T Static pressure | Log today Log yesterday Log 2 days Log 4 days |
| Output override | | M1, P1, P2, M2, P3, P5, V1, P4, P7*, A1 |
| Alarm | Digital S9 Digital S12* Alarm overview | Alarm value Alarm time-out Digital S9, digital S12* |
| Key functions | New application | Erase application |
| | Application | |
| | Factory setting | System settings User settings Go to factory |
| | Copy | To System settings User settings Start copying |
| | Key overview | |

Operating Guide ECL Comfort 310, application A368

Navigation, applications A368.5 and A368.6, Common controller settings (* A368.5 only)

| Home MENU | | Common controller settings | |
|-----------|--------------------|----------------------------|---|
| | | ID no. | Function |
| System | ECL version | | Code no. Hardware Software Build no. Serial no. MAC Production week |
| | Extension | | |
| | Ethernet | | |
| | Portal config | | Selectable |
| | M-bus config | | Selectable |
| | Energy Meters | | Selectable |
| | Raw input overview | | Selectable |
| | Alarm | | |
| | Display | 60058 | Backlight |
| | | 60059 | Contrast |
| | Communication | 2048 | ECL 485 addr. |
| | | 38 | Modbus addr. |
| | | 39 | Baud |
| | 2150 | Service pin | |
| | 2151 | Ext. reset | |
| Language | 2050 | Language | |

Operating Guide ECL Comfort 310, application A368

3.0 Daily use

3.1 How to navigate

You navigate in the controller by turning the dial left or right to the desired position (◂/▸).

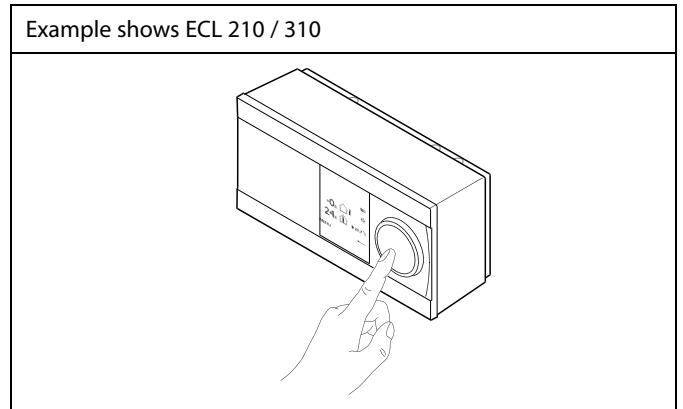
The dial has a built-in accelerator. The faster you turn the dial, the faster it reaches the limits of any wide setting range.

The position indicator in the display (▶) will always show you where you are.

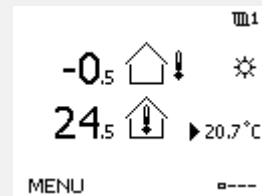
Push the dial to confirm your choices (Ⓜ).

The display examples are from a two-circuit application: One heating circuit (Ⓜ) and one domestic hot-water (DHW) circuit (⚡). The examples might differ from your application.

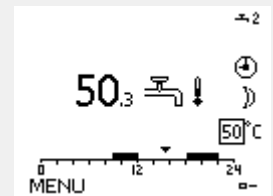
Example shows ECL 210 / 310



Heating circuit (Ⓜ):



DHW circuit (⚡):



Some general settings which apply to the entire controller are located in a specific part of the controller.

To enter 'Common controller settings':

| Action: | Purpose: | Examples: |
|---------|--|-----------|
| | Choose 'MENU' in any circuit | MENU |
| | Confirm | |
| | Choose the circuit selector at the top right corner in the display | |
| | Confirm | |
| | Choose 'Common controller settings' | |
| | Confirm | |

Circuit selector



Operating Guide ECL Comfort 310, application A368

3.2 Understanding the controller display

This section describes the function in general for the ECL Comfort 210 / 296 / 310 series. The shown displays are typical and not application related. They might differ from the displays in your application.

Choosing a favorite display

Your favorite display is the display you have chosen as the default display. The favorite display will give you a quick overview of the temperatures or units that you want to monitor in general.

If the dial has not been activated for 20 min., the controller will revert to the overview display you have chosen as favorite.



To shift between displays: Turn the dial until you reach the display selector (---) at the bottom right side of the display. Push the dial and turn to choose your favorite overview display. Push the dial again.

Heating circuit III

Overview display 1 informs about:
actual outdoor temperature, controller mode,
actual room temperature, desired room temperature.

Overview display 2 informs about:
actual outdoor temperature, trend in outdoor temperature,
controller mode, max. and min. outdoor temperatures since
midnight as well as desired room temperature.

Overview display 3 informs about:
date, actual outdoor temperature, controller mode, time, desired
room temperature as well as shows the comfort schedule of the
current day.

Overview display 4 informs about:
state of the controlled components, actual flow temperature,
(desired flow temperature), controller mode, return temperature
(limitation value), influence on desired flow temperature.

The value above the V2 symbol indicates 0–100% of the analogue
signal (0–10 V).

Note:

An actual flow temperature value must be present, otherwise the
circuit's control valve will close.

Dependent on the chosen display, the overview displays for the
heating circuit inform you about:

- actual outdoor temperature (-0.5)
- controller mode (☼)
- actual room temperature (24.5)
- desired room temperature (20.7 °C)
- trend in outdoor temperature (↗ → ↘)
- min. and max. outdoor temperatures since midnight (↕)
- date (23.02.2010)
- time (7:43)
- comfort schedule of the current day (0 - 12 - 24)
- state of the controlled components (M2, P2)
- actual flow temperature (49 °C), (desired flow temperature (31))
- return temperature (24 °C) (limitation temperature (50))

Overview display 1:

Overview display 2:

Overview display 3:

Overview display 4:

Example of overview display with Influence indication:

Example, favorite display 1 in A230.3, where min. desired room temperature is indicated (22.7):



The setting of the desired room temperature is important even if a room temperature sensor / Remote Control Unit is not connected.



If the temperature value is displayed as

"- -" the sensor in question is not connected.

"- - -" the sensor connection is short-circuited.

DHW circuit

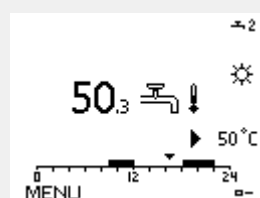
Overview display 1 informs about:
actual DHW temperature, controller mode, desired DHW temperature as well as the comfort schedule of the current day.

Overview display 2 informs about:
state of the controlled components, actual DHW temperature, (desired DHW temperature), controller mode, return temperature (limitation value), influence on desired DHW temperature.

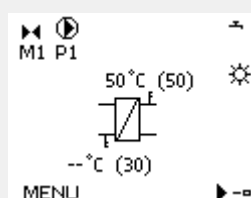
Dependent on chosen display, the overview displays for the DHW circuit inform you about:

- actual DHW temperature (50.3)
- controller mode (M1)
- desired DHW temperature (50 °C)
- comfort schedule of the current day(0 - 12 - 24)
- state of the controlled components (M1, P1)
- actual DHW temperature (50 °C), (desired DHW temperature (50))
- return temperature (- - °C) (limitation temperature (30))

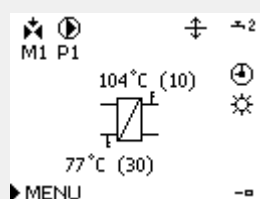
Overview display 1:



Overview display 2:



Example of overview display with influence indication:



Setting the desired temperature

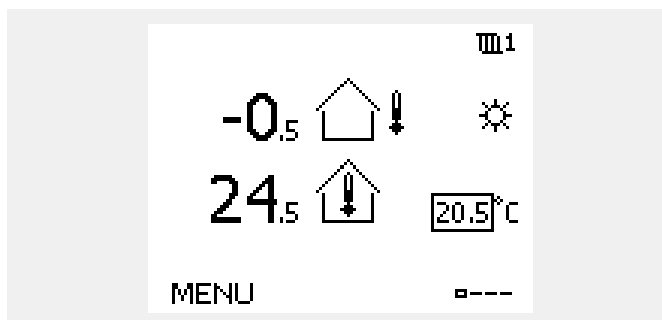
Depending on the chosen circuit and mode, it is possible to enter all daily settings directly from the overview displays (see also the next page concerning symbols).

Operating Guide ECL Comfort 310, application A368

Setting the desired room temperature

The desired room temperature can easily be adjusted in the overview displays for the heating circuit.

| Action: | Purpose: | Examples: |
|---------|-------------------------------------|-----------|
| | Desired room temperature | 20.5 |
| | Confirm | |
| | Adjust the desired room temperature | 21.0 |
| | Confirm | |



This overview display informs about outdoor temperature, actual room temperature as well as desired room temperature.

The display example is for comfort mode. If you want to change the desired room temperature for saving mode, choose the mode selector and select saving.

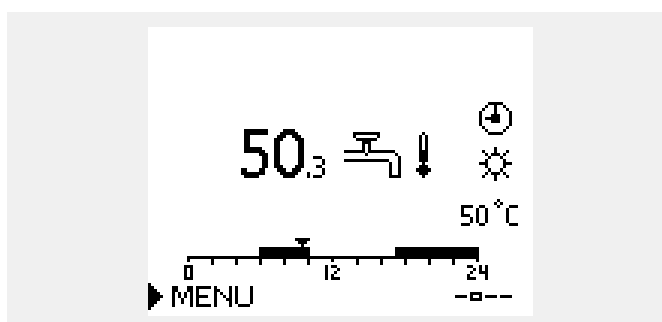


The setting of the desired room temperature is important even if a room temperature sensor / Remote Control Unit is not connected.

Setting the desired DHW temperature

The desired DHW temperature can easily be adjusted in the overview displays for the DHW circuit.

| Action: | Purpose: | Examples: |
|---------|------------------------------------|-----------|
| | Desired DHW temperature | 50 |
| | Confirm | |
| | Adjust the desired DHW temperature | 55 |
| | Confirm | |



In addition to the information about desired and actual DHW temperature, the today's schedule is visible.


The display example indicates that the controller is in scheduled operation and in comfort mode.

Operating Guide ECL Comfort 310, application A368

Setting the desired room temperature, ECA 30 / ECA 31

The desired room temperature can be set exactly as in the controller. However, other symbols can be present in the display (please see 'What do the symbols mean?').



With the ECA 30 / ECA 31 you can override the desired room temperature set in the controller temporarily by means of the override functions: 

Operating Guide ECL Comfort 310, application A368

3.3 A general overview: What do the symbols mean?

| Symbol | Description | |
|--------|-----------------------------------|----------------------|
| | Outdoor temp. | Temperature |
| | Relative humidity indoor | |
| | Room temp. | |
| | DHW temp. | |
| | Position indicator | |
| | Scheduled mode | Mode |
| | Comfort mode | |
| | Saving mode | |
| | Frost protection mode | |
| | Manual mode | |
| | Standby | |
| | Cooling mode | |
| | Active output override | |
| | Optimized start or stop time | |
| | Heating | Circuit |
| | Cooling | |
| | DHW | |
| | Common controller settings | |
| | Pump ON | Controlled component |
| | Pump OFF | |
| | Fan ON | |
| | Fan OFF | |
| | Actuator opens | |
| | Actuator closes | |
| | Actuator, analogue control signal | |
| | Pump / fan speed | |
| | Damper ON | |
| | Damper OFF | |

| Symbol | Description |
|--------|--|
| | Alarm |
| | Letter |
| | Event |
| | Monitoring temperature sensor connection |
| | Display selector |
| | Max. and min. value |
| | Trend in outdoor temperature |
| | Wind speed sensor |
| | Sensor not connected or not used |
| | Sensor connection short-circuited |
| | Fixed comfort day (holiday) |
| | Active influence |
| | Heating active (+) Cooling active (-) |
| | Number of heat exchangers |

Additional symbols, ECA 30 / 31:

| Symbol | Description |
|--------|---|
| | ECA Remote Control Unit |
| | 15 Connection address (master: 15, slaves: 1 - 9) |
| | Day off |
| | Holiday |
| | Relaxing (extended comfort period) |
| | Going out (extended saving period) |

In ECA 30 / 31 only the symbols that are relevant to the application in the controller are displayed.

Operating Guide ECL Comfort 310, application A368

3.4 Monitoring temperatures and system components

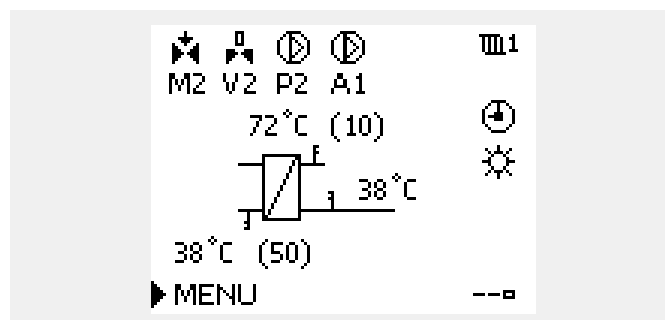
This section describes the function in general for the ECL Comfort 210 / 296 / 310 series. The shown displays are typical and not application related. They might differ from the displays in your application.

Heating circuit

The overview display in the heating circuit ensures a quick overview of the actual and (desired) temperatures as well as the actual state of the system components.

Display example:

| | |
|-------|-------------------------------|
| 49 °C | Flow temperature |
| (31) | Desired flow temperature |
| 24 °C | Return temperature |
| (50) | Return temperature limitation |



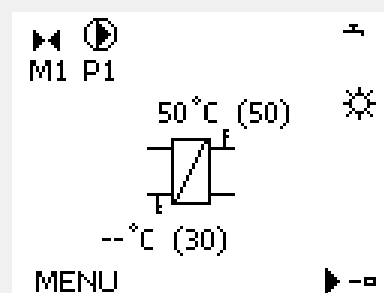
DHW circuit

The overview display in the DHW circuit ensures a quick overview of the actual and (desired) temperatures as well as the actual state of the system components.

Display example (heat exchanger):

| | |
|-------|--|
| 50 °C | Flow temperature |
| (50) | Desired flow temperature |
| -- | Return temperature: sensor not connected |
| (30) | Return temperature limitation |

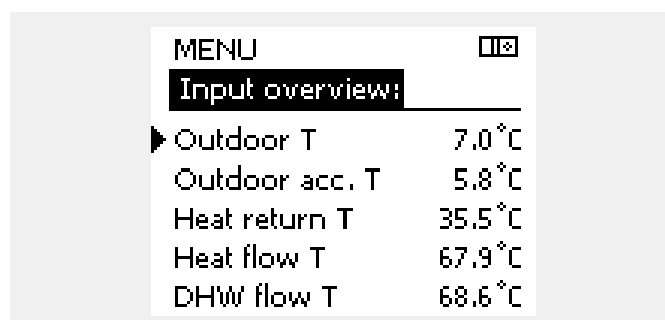
Display example with heat exchanger:



Input overview

Another option to get a quick overview of measured temperatures is the 'Input overview' which is visible in the common controller settings (how to enter the common controller settings, see 'Introduction to common controller settings').

As this overview (see display example) only states the measured actual temperatures, it is read-only.



Operating Guide ECL Comfort 310, application A368

3.5 Influence overview

This section describes the function in general for the ECL Comfort 210 / 296 / 310 series. The shown displays are typical and not application related. They might differ from the displays in your application.

The menu gives an overview of the influences on the desired flow temperature. It differs from application to application which parameters are listed. It can be helpful in a service situation to explain unexpected conditions or temperatures among others.

If the desired flow temperature is influenced (corrected) by one or more parameters, it is indicated by a small line with arrow-down, arrow-up or double-arrow:

Arrow-down:

The parameter in question reduces the desired flow temperature.

Arrow-up:

The parameter in question increases the desired flow temperature.

Double-arrow:

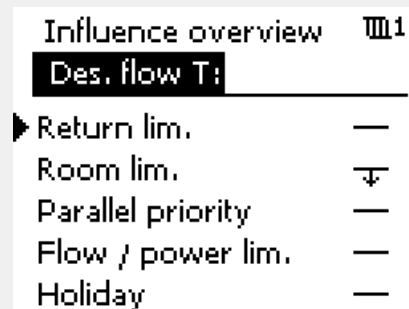
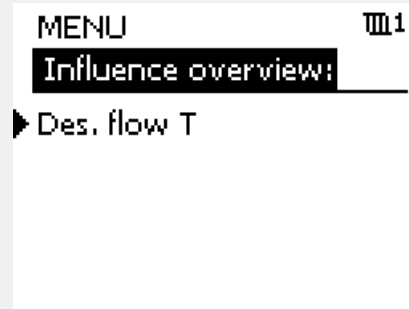
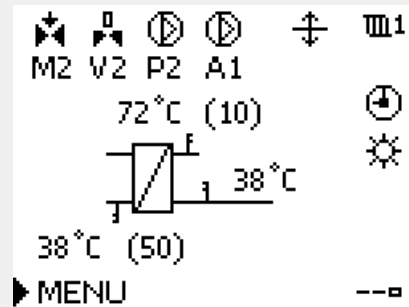
The parameter in question creates an override (e.g. Holiday).

Straight line:

No active influence.

In the example, the arrow in the symbol points downwards for 'Room lim.'. This means that the actual room temperature is higher than the desired room temperature which again results in a decrease of the desired flow temperature.

Example of overview display with Influence indication:



Operating Guide ECL Comfort 310, application A368

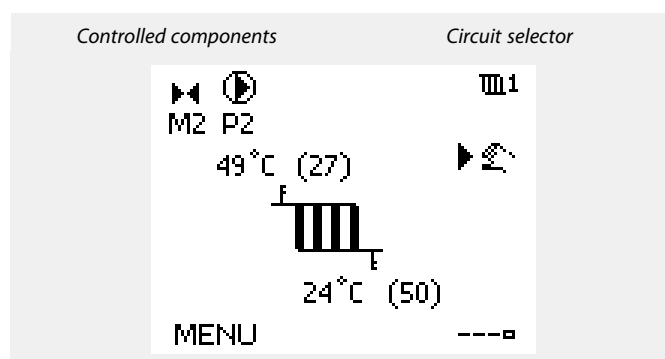
3.6 Manual control

This section describes the function in general for the ECL Comfort 210 / 296 / 310 series. The shown displays are typical and not application related. They might differ from the displays in your application.

It is possible to manually control the installed components.

Manual control can only be selected in favorite displays in which the symbols for the controlled components (valve, pump etc.) are visible.

| Action: | Purpose: | Examples: |
|---------|--------------------------------|-----------|
| | Choose mode selector | |
| | Confirm | |
| | Choose manual mode | |
| | Confirm | |
| | Choose pump | |
| | Confirm | |
| | Switch ON the pump | |
| | Switch OFF the pump. | |
| | Confirm pump mode | |
| | Choose motorized control valve | |
| | Confirm | |
| | Open the valve | |
| | Stop opening the valve | |
| | Close the valve | |
| | Stop closing the valve | |
| | Confirm valve mode | |



During manual operation:

- All control functions are deactivated
- Output override is not possible
- Frost protection is not active



When manual control is selected for one circuit, it is automatically selected for all circuits!

To leave manual control, use the mode selector to select the desired mode. Push the dial.

Manual control is typically used when commissioning the installation. The controlled components, valve, pump etc., can be controlled for correct function.

Operating Guide ECL Comfort 310, application A368

3.7 Schedule

3.7.1 Set your schedule

This section describes the schedule in general for the ECL Comfort 210 / 296 / 310 series. The shown displays are typical and not application related. They might differ from the displays in your application. In some applications, however, there might be more than one schedule. Additional schedules can be found in 'Common controller settings'.

The schedule consists of a 7-day week:

- M = Monday
- T = Tuesday
- W = Wednesday
- T = Thursday
- F = Friday
- S = Saturday
- S = Sunday

The schedule will day-by-day show you the start and stop times of your comfort periods (heating / DHW circuits).

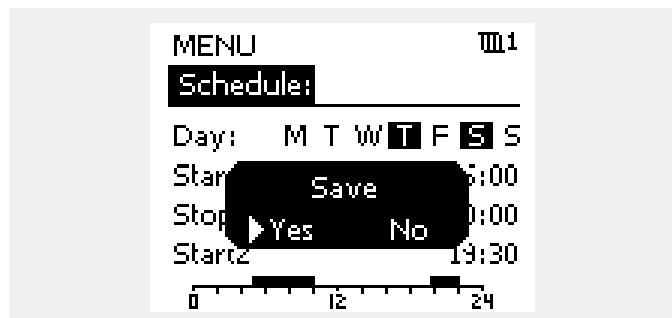
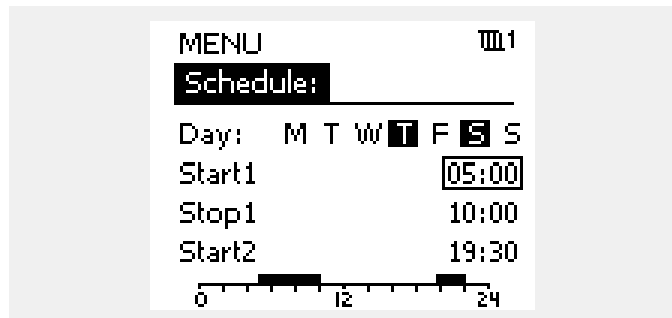
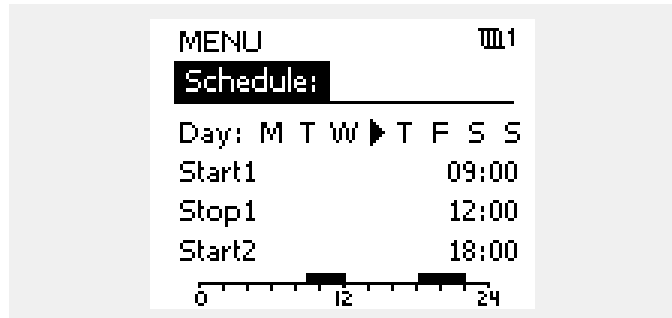
Changing your schedule:

| Action: | Purpose: | Examples: |
|---------|---|-----------|
| | Choose 'MENU' in any of the overview displays | MENU |
| | Confirm | |
| | Confirm the choice 'Schedule' | |
| | Choose the day to change | ▶ |
| | Confirm* | T |
| | Go to Start1 | |
| | Confirm | |
| | Adjust the time | |
| | Confirm | |
| | Go to Stop1, Start2 etc. etc. | |
| | Return to 'MENU' | MENU |
| | Confirm | |
| | Choose 'Yes' or 'No' in 'Save' | |
| | Confirm | |

* Several days can be marked

The chosen start and stop times will be valid for all the chosen days (in this example Thursday and Saturday).

You can set max. 3 comfort periods a day. You can delete a comfort period by setting start and stop times to the same value.



Each circuit has its own schedule. To change to another circuit, go to 'Home', turn the dial and choose the desired circuit.

The start and stop times can be set in half-hourly (30 min.) intervals.

Operating Guide ECL Comfort 310, application A368

4.0 Settings overview

For factory settings and setting range, see appendix "Parameter ID overview".

Parameters indicated with an ID no. like "1x607" mean a universal parameter. x stands for circuit / parameter group.

| Setting | ID | Page | Factory settings in circuit(s) | |
|--|-------|---------------------|--------------------------------|---|
| | | | 1 | 2 |
| Heat curve | | 69 | | |
| Actual (actual flow or power) | | 80 | | |
| Pressure | | 97 | | |
| Extended heat cut-out setting | | 110 | | |
| Extended winter cut-out setting | | 110 | | |
| Day | | 120 | | |
| Start time | | 120 | | |
| Duration | | 121 | | |
| Desired T | | 121 | | |
| S11, S13 ... S16 press. sensor | | 124 | | |
| Desired T (Desired flow temperature) | 1x004 | 71 | | |
| Auto saving (saving temp. dependent on outdoor temp.) | 1x011 | 83 | | |
| Boost | 1x012 | 84 | | |
| Ramp (reference ramping) | 1x013 | 85 | | |
| Optimizer (optimizing time constant) | 1x014 | 85 | | |
| Demand offset | 1x017 | 103 | | |
| Total stop | 1x021 | 86 | | |
| P exercise (pump exercise) | 1x022 | 94 | | |
| M exercise (valve exercise) | 1x023 | 103 | | |
| Pre-stop (optimized stop time) | 1x026 | 87 | | |
| Con.T, re. T lim. (Constant temperature mode, return temperature limitation) | 1x028 | 75 | | |
| DHW, ret. T limit | 1x029 | 75 | | |
| Limit (return temp. limitation) | 1x030 | 76 | | |
| High T out X1 (return temp. limitation, high limit, X-axis) | 1x031 | 76 | | |
| Low limit Y1 (return temp. limitation, low limit, Y-axis) | 1x032 | 76 | | |
| Low T out X2 (return temp. limitation, low limit, X-axis) | 1x033 | 76 | | |
| High limit Y2 (return temp. limitation, high limit, Y-axis) | 1x034 | 77 | | |
| Infl. - max. (return temp. limitation - max. influence) | 1x035 | 77 | | |
| Infl. - min. (return temp. limitation - min. influence) | 1x036 | 77 | | |
| Adapt. time (adaptation time) | 1x037 | 77 | | |
| Parallel operation | 1x043 | 87 | | |
| DHW priority (closed valve / normal operation) | 1x052 | 104 | | |
| P frost T (circulation pump, frost protection temp.) | 1x077 | 104 | | |
| P heat T (heat demand) | 1x078 | 104 | | |
| Priority (priority for return temp. limitation) | 1x085 | 78 | | |
| Frost pr. T (frost protection temp.) | 1x093 | 104 | | |
| Input type | 1x109 | 80 | | |
| Limit (limitation value) | 1x111 | 80 | | |

Operating Guide ECL Comfort 310, application A368

| Setting | ID | Page | Factory settings in circuit(s) | |
|---|-------|---------------------|--------------------------------|---|
| | | | 1 | 2 |
| Adapt. time (adaptation time) | 1x112 | 81 | | |
| Filter constant | 1x113 | 81 | | |
| Units | 1x115 | 81 | | |
| High limit Y2 (flow / power limitation, high limit, Y-axis) | 1x116 | 81 | | |
| Low limit Y1 (flow / power limitation, low limit, Y-axis) | 1x117 | 82 | | |
| Low T out X2 (flow / power limitation, low limit, X-axis) | 1x118 | 82 | | |
| High T out X1 (flow / power limitation, high limit, X-axis) | 1x119 | 82 | | |
| Ext. input (external override) | 1x141 | 105 | | |
| Ext. mode (external override mode) | 1x142 | 105 | | |
| Upper difference | 1x147 | 115 | | |
| Lower difference | 1x148 | 116 | | |
| Delay, example | 1x149 | 116 | | |
| Lowest temp. | 1x150 | 117 | | |
| Auto tuning | 1x173 | 90 | | |
| Motor pr. (motor protection) | 1x174 | 91 | | |
| Temp. min. | 1x177 | 71 | | |
| Temp. max. | 1x178 | 71 | | |
| Summer, cut-out (limit for heating cut-out) | 1x179 | 88 | | |
| Xp (proportional band) | 1x184 | 91 | | |
| Tn (integration time constant) | 1x185 | 91 | | |
| M run (running time of the motorized control valve) | 1x186 | 92 | | |
| Nz (neutral zone) | 1x187 | 92 | | |
| Min. act. time (min. activation time gear motor) | 1x189 | 92 | | |
| High supp. T X2 (high value of supply temp.) | 1x300 | 72 | | |
| High T max Y2 (high value of max limitation) | 1x301 | 72 | | |
| Low supply T X1 (low value of supply temp.) | 1x302 | 72 | | |
| Low T max Y1 (low value of max limitation) | 1x303 | 72 | | |
| Retry time | 1x310 | 94 | | |
| Change, duration | 1x311 | 94 | | |
| Change time (changeover time) | 1x312 | 95 | | |
| Stab. time (stabilization time) | 1x313 | 95 | | |
| Chan.-over time (change-over time) | 1x314 | 95 | | |
| Circ. pumps | 1x315 | 117 | | |
| Alarm handling | 1x316 | 98 | | |
| P exercise (pump exercise) | 1x320 | 98 | | |
| Pressure, diff. (switching difference) | 1x322 | 99 | | |
| Time-out | 1x323 | 99 | | |
| Refill water | 1x324 | 117 | | |
| Valve delay | 1x325 | 100 | | |
| No. of pumps | 1x326 | 101 | | |
| Input type | 1x327 | 101 | | |
| Send desired T | 1x500 | 107 | | |

Operating Guide ECL Comfort 310, application A368

| Setting | ID | Page | Factory settings in circuit(s) | |
|-------------------|----------|---------------------|--------------------------------|---|
| | | | 1 | 2 |
| Pulse value | 1x513 | 112 | | |
| Preset | 1x514 | 112 | | |
| Pressure | Read-out | 99 | | |
| Consump. (A368.5) | Read-out | 112 | | |

5.0 Settings

5.1 Introduction to Settings

Descriptions of settings (parameter's functions) are divided into groups as used in the ECL Comfort 210 / 296 / 310 controller's menu structure. Examples: "Flow temperature", "Room limit" and so on. Each group starts with a general explanation.

The descriptions of each parameter are in numeric order, related to the parameter's ID numbers. You might come across differences between the order in this Operating Guide and the ECL Comfort 210 / 296 / 310 controllers.

Some parameter descriptions are related to specific application subtypes. This means that you might not see the related parameter in the actual subtype in the ECL controller.

The note "See Appendix ..." refers to the Appendix at the end of this Operating Guide, where parameter's setting ranges and factory settings are listed.

The navigation hints (for example MENU > Settings > Return limit ...) cover multiple subtypes.

Operating Guide ECL Comfort 310, application A368

5.2 Flow temperature

The ECL Comfort controller determines and controls the flow temperature related to the outdoor temperature. This relationship is called the heat curve.

The heat curve is set by means of 6 coordinate points. The desired flow temperature is set at 6 pre-defined outdoor temperature values.

The shown value for the heat curve is an average value (slope), based on the actual settings.

| Outdoor temp. | Desired flow temp. | | | Your settings |
|---------------|--------------------|-------|-------|---------------|
| | A | B | C | |
| -30 °C | 45 °C | 75 °C | 95 °C | |
| -15 °C | 40 °C | 60 °C | 90 °C | |
| -5 °C | 35 °C | 50 °C | 80 °C | |
| 0 °C | 32 °C | 45 °C | 70 °C | |
| 5 °C | 30 °C | 40 °C | 60 °C | |
| 15 °C | 25 °C | 28 °C | 35 °C | |

A: Example for floor heating

B: Factory settings

C: Example for radiator heating (high demand)

MENU > Settings > Flow temperature

| Heat curve | | |
|------------|-------------|-----|
| 1 | 0.1 ... 4.0 | 1.0 |

The heat curve can be changed in two ways:

1. The value of the slope is changed (see heat curve examples on next page)
2. The coordinates of the heat curve are changed

Change the value of the slope:

Push the dial to enter / change the slope value of the heat curve (example: 1.0).

When the slope of the heat curve is changed by means of the slope value, the common point for all heat curves will be a desired flow temperature = 24.6 °C at an outdoor temperature = 20 °C and a desired room temperature = 20.0 °C.

Change the coordinates:

Push the dial to enter / change the coordinates of the heat curve (example: -30,75).

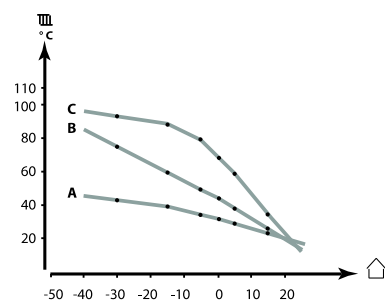
The heat curve represents the desired flow temperatures at different outdoor temperatures and at a desired room temperature of 20 °C.

If the desired room temperature is changed, the desired flow temperature also changes:

$(\text{Desired room T} - 20) \times \text{HC} \times 2.5$

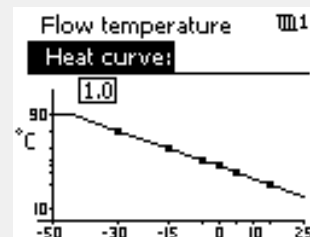
where "HC" is the Heat Curve slope and "2.5" is a constant.

Desired flow temperature

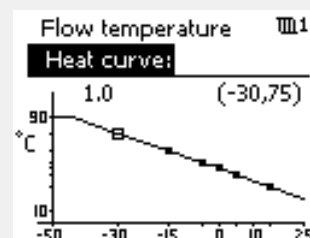


| Settings | |
|-------------------|-------|
| Flow temperature: | |
| Heat curve | 1.0 |
| Temp. max. | 90 °C |
| Temp. min. | 10 °C |
| Desired T | 50 °C |

Slope changes



Coordinate changes



The calculated flow temperature can be influenced by the 'Boost' and 'Ramp' functions etc.

Example:

| | |
|---|-------|
| Heat curve: | 1.0 |
| Desired flow temp.: | 50 °C |
| Desired room temp.: | 22 °C |
| Calculation $(22-20) \times 1.0 \times 2.5 =$ | 5 |

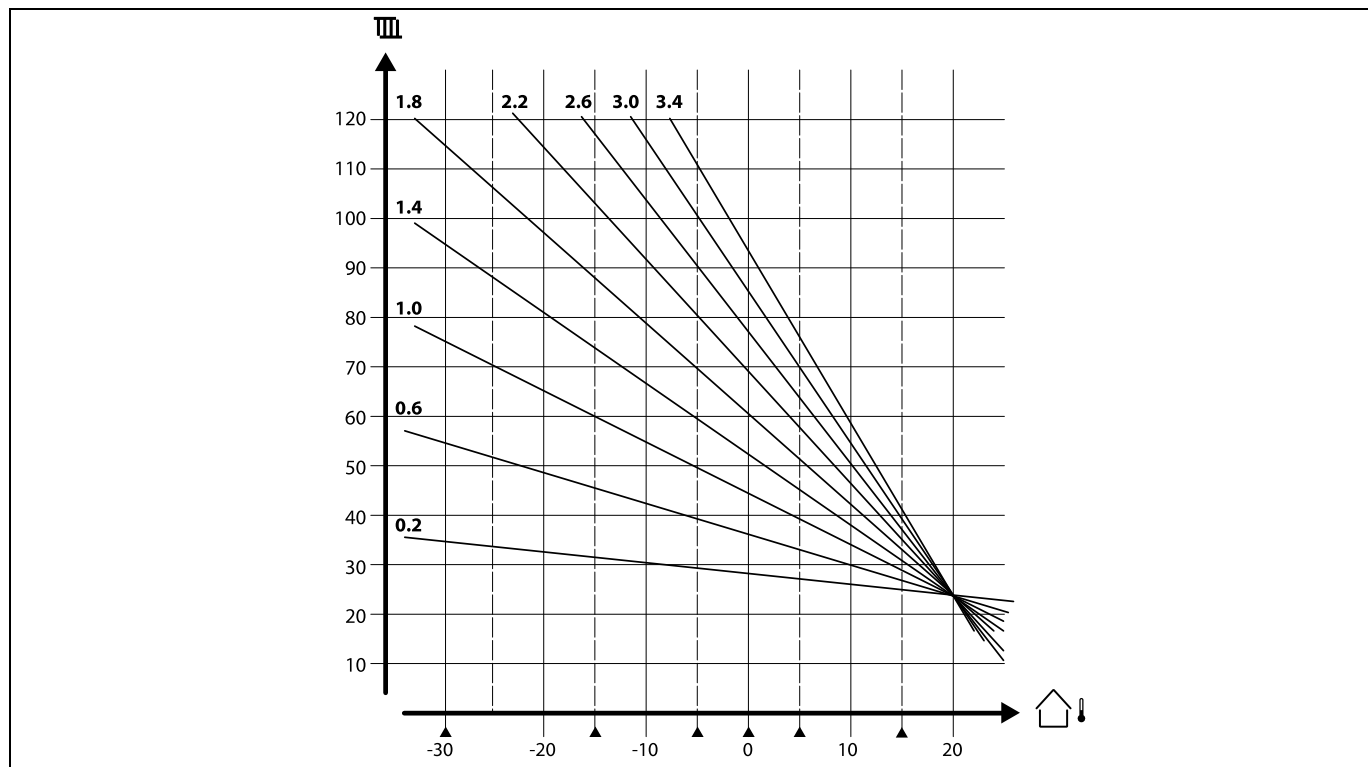
Result:

The desired flow temperature will be corrected from 50 °C to 55 °C.

Operating Guide ECL Comfort 310, application A368

Choosing a heat curve slope

The heat curves represent the desired flow temperature at different outdoor temperatures and at a desired room temperature of 20 °C.



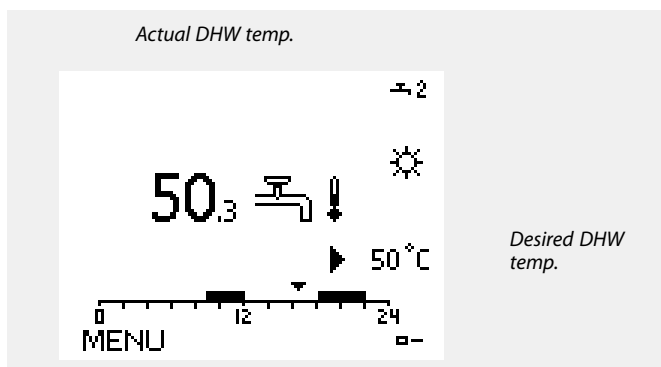
The small arrows (▲) indicate 6 different outdoor temperature values at which you can change the heat curve.

The desired flow temperature is set in 'Des. T comfort' and 'Des. T saving'. Set values for comfort mode could for example be 7.5 °C and for saving mode 25 °C.

Alternatively the desired flow temperature can be set by applying an external signal. The choice is set in 'Ext. signal'.

The ECL Comfort 210 / 296 / 310 controls the DHW temperature according to the desired flow temperature for example under the influence of the return temperature. The desired DHW temperature is set in the overview display.

- 50.3: Actual DHW temperature
- 50: Desired DHW temperature



Operating Guide ECL Comfort 310, application A368



Parameters indicated with an ID no. like "1x607" mean a universal parameter.
x stands for circuit / parameter group.

MENU > Settings > Flow temperature

| | |
|--|--------------|
| Desired T (Desired flow temperature) | 1x004 |
| <p>When the ECL Comfort is in override mode, type "Const. T", the desired flow temperature can be set. A "Const. T" related return temperature limitation can also be set. See MENU > Settings > Return limit > 'Con. T, ret. T lim.'</p> | |

See Appendix "Parameter ID overview"



Override mode

When ECL Comfort is in Scheduled mode, a contact (switch) signal can be applied to an input in order to override to Comfort, Saving, Frost Protection or Constant temperature. As long as the contact (switch) signal is applied, the override is active.



The "Desired T" value can be influenced by:

- temp. max.
- temp. min.
- room temp. limit
- return temp. limit
- flow / power limit

MENU > Settings > Flow temperature

| | |
|-------------------|--------------|
| Temp. min. | 1x177 |
|-------------------|--------------|

See Appendix "Parameter ID overview"

Set the min. flow temperature for the system. The desired flow temperature will not be lower than this setting. Adjust the factory setting, if required.



'Temp. min.' is overruled if 'Total stop' is active in Saving mode or 'Cut-out' is active.
'Temp. min.' can be overruled by the influence from the return temperature limitation (see 'Priority').



The setting for 'Temp. max.' has higher priority than 'Temp. min.'

MENU > Settings > Flow temperature

| | |
|-------------------|--------------|
| Temp. max. | 1x178 |
|-------------------|--------------|

See Appendix "Parameter ID overview"

Set the max. flow temperature for the system. The desired temperature will not be higher than this setting. Adjust the factory setting, if required.



The setting of 'heat curve' is possible for heating circuits only.



The setting for 'Temp. max.' has higher priority than 'Temp. min.'



A368.2 and A368.4: The max. value is not adjustable, but determined by the settings "High sup. T X2" and related (ID: 1x300, 1x301, 1x302 and 1x303).

MENU > Settings > Flow temperature

| | |
|--|--------------|
| High sup. T X2 (high value of supply temp.) | 1x300 |
|--|--------------|

See Appendix "Parameter ID overview"

Set the high value for the supply temperature in relation to the desired max. flow temperature. When the supply temperature is above the set value, the max. limitation of the flow temperature is the Y2 value. When the supply temperature is below the set value, the max. limitation of the flow temperature will be lower.



A368.2 and A368.4 offer a limitation of a max. desired flow temperature in relation to the measured temperature at S2. By this, the supply temperature can also determine the desired flow temperature.

MENU > Settings > Flow temperature

| | |
|---|--------------|
| High T max Y2 (high value of max limitation) | 1x301 |
|---|--------------|

See Appendix "Parameter ID overview"

Set the high value for the max. limitation of the desired flow temperature.

MENU > Settings > Flow temperature

| | |
|--|--------------|
| Low supply T X1 (low value of supply temp.) | 1x302 |
|--|--------------|

See Appendix "Parameter ID overview"

Set the low value for the supply temperature in relation to the desired max. flow temperature. When the supply temperature is below the set value, the max. limitation of the flow temperature is the Y1 value. When the supply temperature is above the set value, the max. limitation of the flow temperature will be higher.

MENU > Settings > Flow temperature

| | |
|---|--------------|
| Low T max Y1 (low value of max limitation) | 1x303 |
|---|--------------|

See Appendix "Parameter ID overview"

Set the low value for the max. limitation of the desired flow temperature.

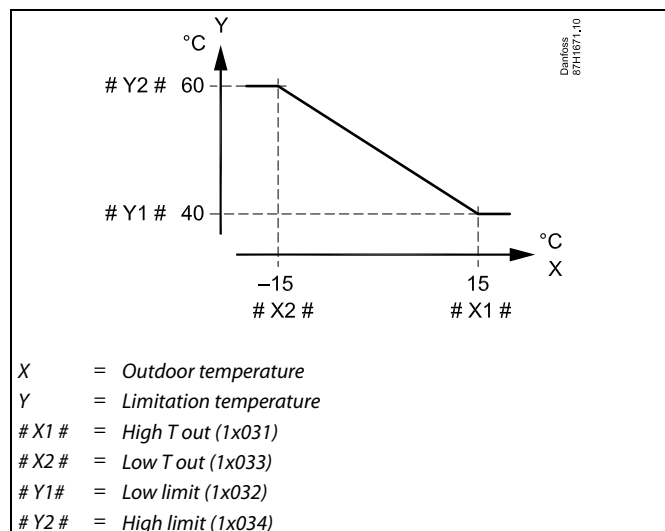
Operating Guide ECL Comfort 310, application A368

5.3 Return limit

The return temperature limitation is based on the outdoor temperature. Typically in district heating systems a higher return temperature is accepted at a decrease in outdoor temperature. The relationship between the return temperature limits and outdoor temperature is set in two coordinates.

The outdoor temperature coordinates are set in 'High T out X1' and 'Low T out X2'. The return temperature coordinates are set in 'High limit Y2' and 'Low limit Y1'.

The controller automatically changes the desired flow temperature to obtain an acceptable return temperature when the return temperature falls below or gets higher than the calculated limit. This limitation is based on a PI regulation where P ('Infl.' factor) responds quickly to deviations and I ('Adapt. time') responds slower and over time removes the small offsets between the desired and actual values. This is done by changing the desired flow temperature.



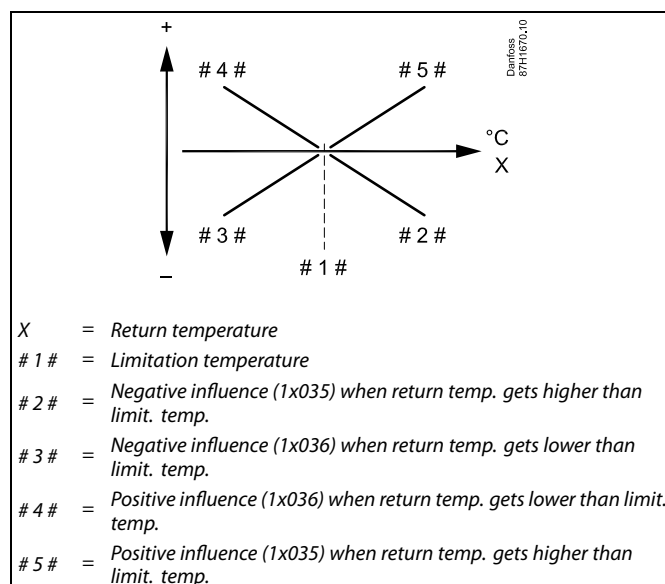
The calculated limit is shown in brackets () in the monitoring display. See the section "Monitoring temperatures and system components".

DHW circuit

The return temperature limitation is based on a constant temperature value.

The controller automatically changes the desired flow temperature to obtain an acceptable return temperature when the return temperature falls below or gets higher than the set limit.

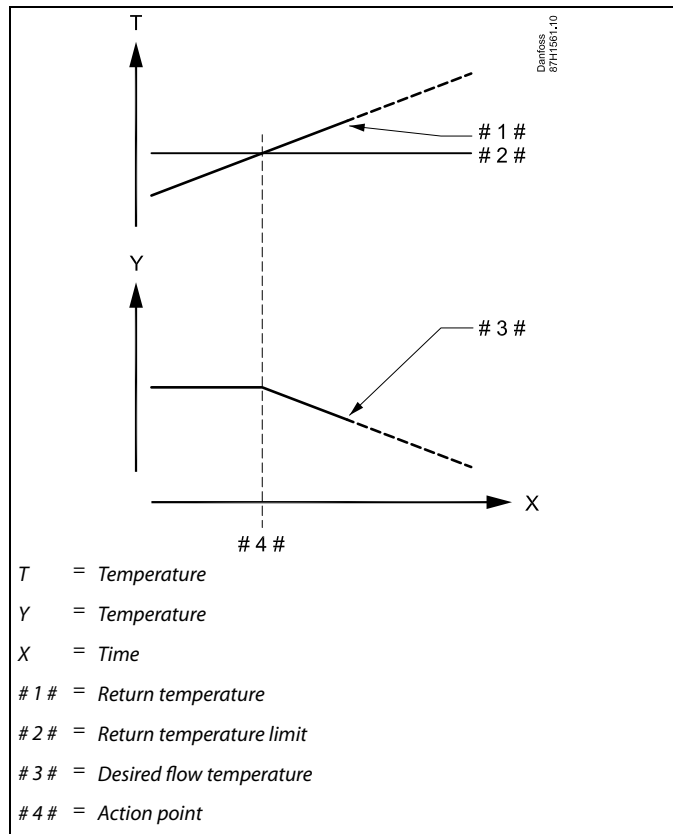
This limitation is based on a PI regulation where P ('Infl.' factor) responds quickly to deviations and I ('Adapt. time') responds slower and over time removes the small offsets between the desired and actual values. This is done by changing the desired flow temperature.



If the 'Infl.' factor is too high and / or the 'Adapt. time' too low, there is a risk of unstable control.

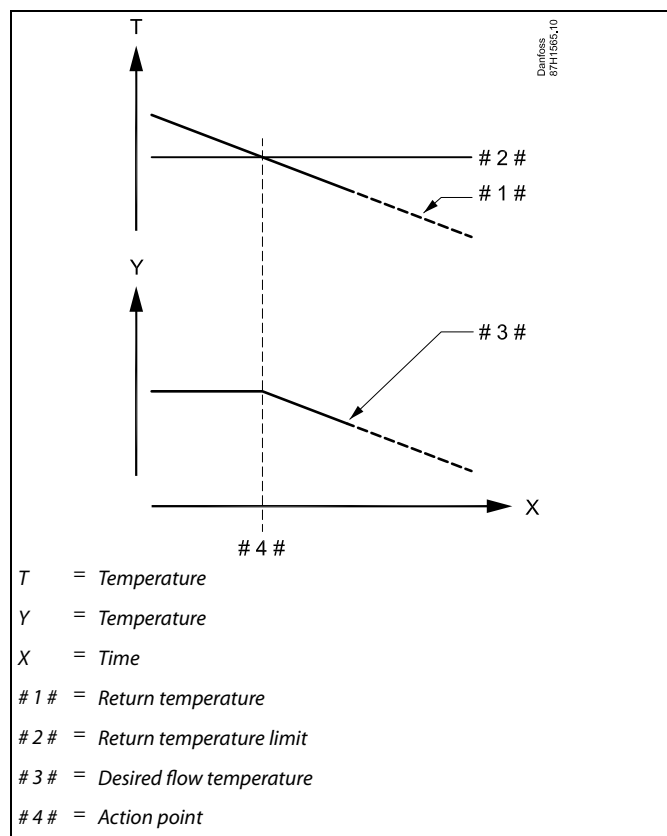
Operating Guide ECL Comfort 310, application A368

Example, maximum return temperature limitation;
return temperature gets higher than limit



Operating Guide ECL Comfort 310, application A368

Example, minimum return temperature limitation;
return temperature gets lower than limit



Parameters indicated with an ID no. like "1x607" mean a universal parameter.
x stands for circuit / parameter group.

MENU > Settings > Return limit

| | |
|---|--------------|
| Con.T, re. T lim. (Constant temperature mode, return temperature limitation) | 1x028 |
|---|--------------|

The "Con. T, ret. T limit" is the return temperature limitation value when the circuit is set to override mode type "Const. T" (= Constant temperature).

See Appendix "Parameter ID overview"

Value: Set the return temperature limitation

Operating Guide ECL Comfort 310, application A368

MENU > Settings > Return limit

| | |
|--------------------------|--------------|
| DHW, ret. T limit | 1x029 |
|--------------------------|--------------|

When an addressed slave is active in DHW-tank heating / charging, the return temperature limitation in the master can be set.

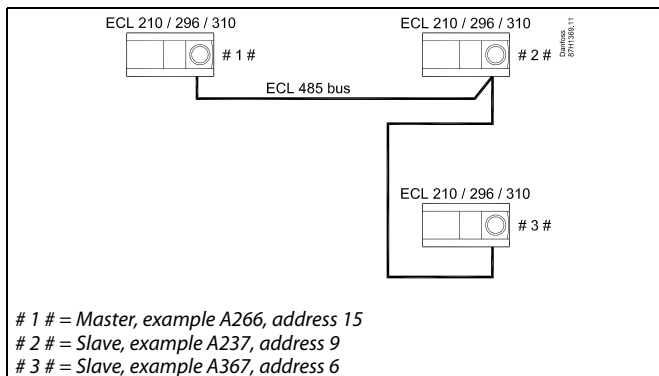
Notes:

- The master circuit must be set to react on the desired flow temperature in the slave(s). See "Demand offset" (ID 11017).
- The slave(s) must be set to send its / their desired flow temperature to the master. See "Send desired T" (ID 1x500).

See Appendix "Parameter ID overview"

OFF: No influence from slaves. The return temperature limitation is related to settings in "Return limit".

Value: Return temperature limitation value when slave is in DHW tank heating / charging operation.



Some examples of applications with DHW-tank heating / charging are:

- A217, A237, A247, A367, A377

MENU > Settings > Return limit

| | |
|--|--------------|
| Limit (return temp. limitation) | 1x030 |
|--|--------------|

Set the return temperature value you accept for the system.

See Appendix "Parameter ID overview"

When the return temperature falls below or gets higher than the set value, the controller automatically changes the desired flow / duct temperature to obtain an acceptable return temperature. The influence is set in 'Infl. - max.' and 'Infl. - min.'.

MENU > Settings > Return limit

| | |
|--|--------------|
| High T out X1 (return temp. limitation, high limit, X-axis) | 1x031 |
|--|--------------|

Set the outdoor temperature value for the low return temperature limitation.

See Appendix "Parameter ID overview"

The corresponding Y coordinate is set in 'Low limit Y1'.

MENU > Settings > Return limit

| | |
|--|--------------|
| Low limit Y1 (return temp. limitation, low limit, Y-axis) | 1x032 |
|--|--------------|

Set the return temperature limitation referring to the outdoor temperature value set in 'High T out X1'.

See Appendix "Parameter ID overview"

The corresponding X coordinate is set in 'High T out X1'.

Operating Guide ECL Comfort 310, application A368

MENU > Settings > Return limit

| | |
|--|--------------|
| Low T out X2 (return temp. limitation, low limit, X-axis) | 1x033 |
| <i>Set the outdoor temperature value for the high return temperature limitation.</i> | |

See Appendix "Parameter ID overview"

The corresponding Y coordinate is set in 'High limit Y2'.

MENU > Settings > Return limit

| | |
|--|--------------|
| High limit Y2 (return temp. limitation, high limit, Y-axis) | 1x034 |
| <i>Set the return temperature limitation referring to the outdoor temperature value set in 'Low T out X2'.</i> | |

See Appendix "Parameter ID overview"

The corresponding X coordinate is set in 'Low T out X2'.

MENU > Settings > Return limit

| | |
|--|--------------|
| Infl. - max. (return temp. limitation - max. influence) | 1x035 |
| <i>Determines how much the desired flow temperature will be influenced if the return temperature is higher than the set limit.</i> | |

See Appendix "Parameter ID overview"

Influence higher than 0:

The desired flow temperature is increased, when the return temperature gets higher than the set limit.

Influence lower than 0:

The desired flow temperature is decreased, when the return temperature gets higher than the set limit.

Example

The return limit is active above 50 °C.

The influence is set to 0.5.

The actual return temperature is 2 degrees too high.

Result:

The desired flow temperature is changed by $0.5 \times 2 = 1.0$ degree.

MENU > Settings > Return limit

| | |
|--|--------------|
| Infl. - min. (return temp. limitation - min. influence) | 1x036 |
| <i>Determines how much the desired flow temperature will be influenced if the return temperature is lower than the calculated limit.</i> | |

See Appendix "Parameter ID overview"

Influence higher than 0:

The desired flow temperature is increased, when the return temperature gets below the calculated limit.

Influence lower than 0:

The desired flow temperature is decreased, when the return temperature gets below the calculated limit.

Example

The return limit is active below 50 °C.

The influence is set to -3.0.

The actual return temperature is 2 degrees too low.

Result:

The desired flow temperature is changed by $-3.0 \times 2 = -6.0$ degrees.



Normally, this setting is 0 in district heating systems because a lower return temperature is acceptable.

Typically, this setting is higher than 0 in boiler systems to avoid a too low return temperature (see also 'Infl. - max!').

Operating Guide ECL Comfort 310, application A368

MENU > Settings > Return limit

| | |
|---|--------------|
| Adapt. time (adaptation time) | 1x037 |
| <i>Controls how fast the return temperature adapts to the desired return temperature limit (Integration control).</i> | |



The adaptation function can correct the desired flow temperature with max. 8 K.

See Appendix "Parameter ID overview"

OFF: The control function is not influenced by the 'Adapt. time'.

Minor value: The desired temperature is adapted quickly.

Major value: The desired temperature is adapted slowly.

MENU > Settings > Return limit

| | |
|---|--------------|
| Priority (priority for return temp. limitation) | 1x085 |
| <i>Choose whether the return temperature limitation should overrule the set min. flow temperature 'Temp. min.'.</i> | |



If you have a DHW application:
Please also see 'Parallel operation' (ID 11043).

See Appendix "Parameter ID overview"

OFF: The min. flow temperature limit is not overruled.

ON: The min. flow temperature limit is overruled.



If you have a DHW application:
When dependent parallel operation is in function:

- Desired flow temperature for the heating circuit will be minimum limited, when "Priority for return temperature" (ID 1x085) is set to OFF.
- Desired flow temperature for the heating circuit will not be minimum limited, when "Priority for return temperature" (ID 1x085) is set to ON.

Operating Guide ECL Comfort 310, application A368

5.4 Flow / power limit

Heating circuit

A flow or energy meter can be connected (M-bus signal) to the ECL controller in order to limit the flow or consumed power.

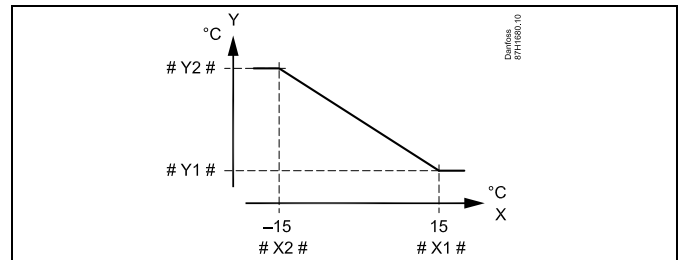
The flow / power limitation can be based on the outdoor temperature. Typically, in district heating systems a higher flow or power is accepted at lower outdoor temperatures.

The relationship between the flow or power limits and the outdoor temperature is set in two coordinates.

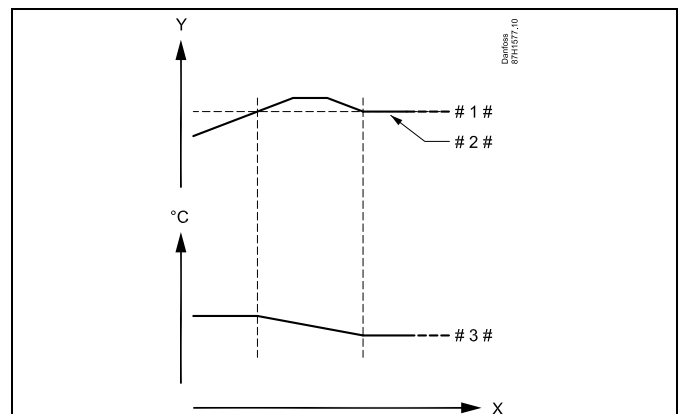
The outdoor temperature coordinates are set in 'High T out X1' and 'Low T out X2'.

The flow or power coordinates are set in 'Low limit Y1' and 'High limit Y2'. Based on these settings, the controller calculates the limitation value.

When the flow / power gets higher than the calculated limit, the controller gradually reduces the desired flow temperature to obtain an acceptable max. flow or power consumption.



- X = Outdoor temperature
- Y = Limitation, flow or power
- # X1 # = High T out (1x119)
- # X2 # = Low T out (1x118)
- # Y1 # = Low limit (1x117)
- # Y2 # = High limit (1x116)



- X = Time
- Y = Flow or power
- # 1 # = Flow or power limit
- # 2 # = Actual flow or energy
- # 3 # = Desired flow temperature

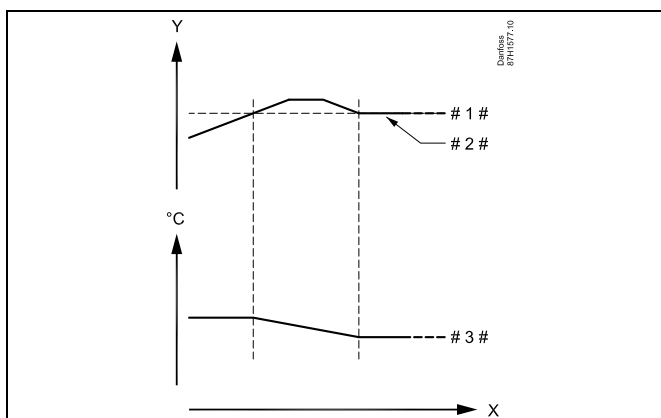


If the 'Adapt. time' is too high, there is a risk of unstable control.

Operating Guide ECL Comfort 310, application A368

DHW circuit

A flow or energy meter can be connected (M-bus signal) to the ECL controller in order to limit the flow or consumed power. When the flow / power gets higher than the set limit, the controller gradually reduces the desired flow temperature to obtain an acceptable max. flow or power consumption.



- X = Time
- Y = Flow or power
- # 1 # = Flow or power limit
- # 2 # = Actual flow or energy
- # 3 # = Desired flow temperature



Parameters indicated with an ID no. like "1x607" mean a universal parameter.
x stands for circuit / parameter group.

MENU > Settings > Flow / power limit

Input type **1x109**

Choice of M-bus signal from energy meter number 1 ... 5. Only possible in ECL Comfort 310.



Flow or power limitation is based on M-bus signal (ECL Comfort 310 controllers only).

See Appendix "Parameter ID overview"

OFF: No M-bus signal acquired.

EM1 ... EM5: Energy meter number.

MENU > Settings > Flow / power limit

Actual (actual flow or power)

The value is the actual flow or power based on the signal from flow / energy meter.

Operating Guide ECL Comfort 310, application A368

MENU > Settings > Flow / power limit

| | |
|---|--------------|
| Limit (limitation value) | 1x111 |
| <i>This value is in some applications a calculated limitation value, based on the actual outdoor temperature. In other applications the value is a selectable limitation value.</i> | |

See Appendix "Parameter ID overview"

MENU > Settings > Flow / power limit

| | |
|--|--------------|
| Adapt. time (adaptation time) | 1x112 |
| <i>Controls how fast the flow / power limitation adapts to the desired limitation.</i> | |



If the 'Adapt. time' is too low, there is a risk of unstable control.

See Appendix "Parameter ID overview"

OFF: The control function is not influenced by the 'Adapt. time'.

Minor value: The desired temperature is adapted quickly.

Major value: The desired temperature is adapted slowly.

MENU > Settings > Flow / power limit

| | |
|---|--------------|
| Filter constant | 1x113 |
| <i>The value of the filter constant determines the dampening of the measured value. The higher the value, the more dampening. By this, a too quick change of the measured value can be avoided.</i> | |

See Appendix "Parameter ID overview"

Minor value: Lower dampening

Major value: Higher dampening

MENU > Settings > Flow / power limit

| | |
|---|--------------|
| Units | 1x115 |
| <i>Choice of units for measured values.</i> | |



List for setting range of 'Units':

l/h
m³/h
kW
MW
GW

See Appendix "Parameter ID overview"

Flow values are expressed as l/h or m³/h
Power values are expressed as kW, MW or GW.

Operating Guide ECL Comfort 310, application A368

MENU > Settings > Flow / power limit

| | |
|--|--------------|
| High limit Y2 (flow / power limitation, high limit, Y-axis) | 1x116 |
|--|--------------|

| |
|--|
| <i>Set the flow / power limitation referring to the outdoor temperature set in 'Low T out X2'.</i> |
|--|

See Appendix "Parameter ID overview"

The corresponding X coordinate is set in 'Low T out X2'.

MENU > Settings > Flow / power limit

| | |
|--|--------------|
| Low limit Y1 (flow / power limitation, low limit, Y-axis) | 1x117 |
|--|--------------|

| |
|---|
| <i>Set the flow / power limitation referring to the outdoor temperature set in 'High T out X1'.</i> |
|---|



The limitation function can overrule the set 'Temp. min' of the desired flow temperature.

See Appendix "Parameter ID overview"

The corresponding X coordinate is set in 'High T out X1'.

MENU > Settings > Flow / power limit

| | |
|--|--------------|
| Low T out X2 (flow / power limitation, low limit, X-axis) | 1x118 |
|--|--------------|

| |
|--|
| <i>Set the outdoor temperature value for the high flow / power limitation.</i> |
|--|

See Appendix "Parameter ID overview"

The corresponding Y coordinate is set in 'High limit Y2'.

MENU > Settings > Flow / power limit

| | |
|--|--------------|
| High T out X1 (flow / power limitation, high limit, X-axis) | 1x119 |
|--|--------------|

| |
|---|
| <i>Set the outdoor temperature value for the low flow / power limitation.</i> |
|---|

See Appendix "Parameter ID overview"

The corresponding Y coordinate is set in 'Low limit Y1'.

5.5 Optimization

The section "Optimization" describes specific application related issues.

The parameters 'Auto saving', 'Boost', 'Optimizer', 'Total stop' are all related to heating mode only.

'Summer, cut-out' determine, at rising outdoor temperature, the stop of heating.



Parameters indicated with an ID no. like "1x607" mean a universal parameter.
x stands for circuit / parameter group.

Operating Guide ECL Comfort 310, application A368

MENU > Settings > Optimization

Auto saving (saving temp. dependent on outdoor temp.) 1x011

Below the set value for the outdoor temperature, the saving temperature setting has no influence. Above the set value for the outdoor temperature, the saving temperature relates to the actual outdoor temperature. The function is relevant in district heating installations in order to avoid a big change in the desired flow temperature after a saving period.

See Appendix "Parameter ID overview"

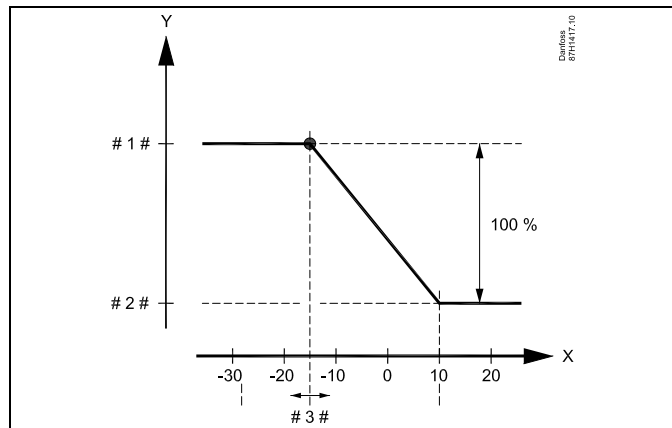
OFF: The saving temperature does not depend on the outdoor temperature; the reduction is 100%.

Value: The saving temperature depends on the outdoor temperature. When the outdoor temperature is above 10 °C, the reduction is 100%. The lower the outdoor temperature, the less the temperature reduction. Below the set value, the saving temperature setting has no influence.

Comfort temperature: The desired room temperature in Comfort mode

Saving temperature: The desired room temperature in Saving mode

The desired room temperatures for Comfort and Saving modes are set in the display overviews.



X = Outdoor temperature (°C)
 Y = Desired room temperature (°C)
 # 1 # = Desired room temperature (°C), Comfort mode
 # 2 # = Desired room temperature (°C), Saving mode
 # 3 # = Auto saving temperature (°C), ID 11011

Example:

Actual outdoor temperature (T.out): -5 °C
 Desired room temperature setting in Comfort mode: 22 °C
 Desired room temperature setting in Saving mode: 16 °C
 Setting in 'Auto saving': -15 °C

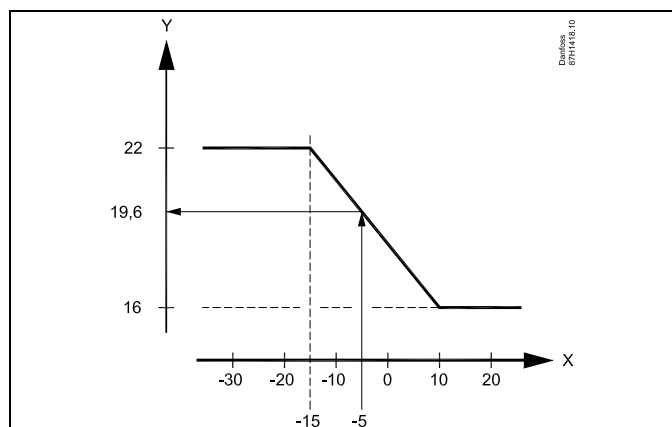
The condition for the outdoor temperature influence:

$$\text{T.out.influence} = \frac{(10 - \text{T.out})}{(10 - \text{setting})} = \frac{(10 - (-5))}{(10 - (-15))} = \frac{15}{25} = 0,6$$

The corrected desired room temperature in Saving mode:

$$\text{T.room.ref.Saving} + (\text{T.out.influence} \times (\text{T.room.ref.Comfort} - \text{T.room.ref.Saving}))$$

$$16 + (0,6 \times (22 - 16)) = 19,6 \text{ °C}$$



X = Outdoor temperature (°C)
 Y = Desired room temperature (°C)

Operating Guide ECL Comfort 310, application A368

MENU > Settings > Optimization

| | |
|---|--------------|
| Boost | 1x012 |
| <i>Shortens the heating-up period by increasing the desired flow temperature by the percentage you set.</i> | |

See Appendix "Parameter ID overview"

OFF: The boost function is not active.

Value: The desired flow temperature is increased temporarily with the set percentage.

In order to shorten the heating-up period after a saving temperature period, the desired flow temperature can be increased temporarily (max. 1 hour). At optimizing the boost is active in the optimization period ('Optimizer').

If a room temperature sensor or an ECA 30 / 31 is connected, the boost stops when the room temperature is reached.

MENU > Settings > Optimization

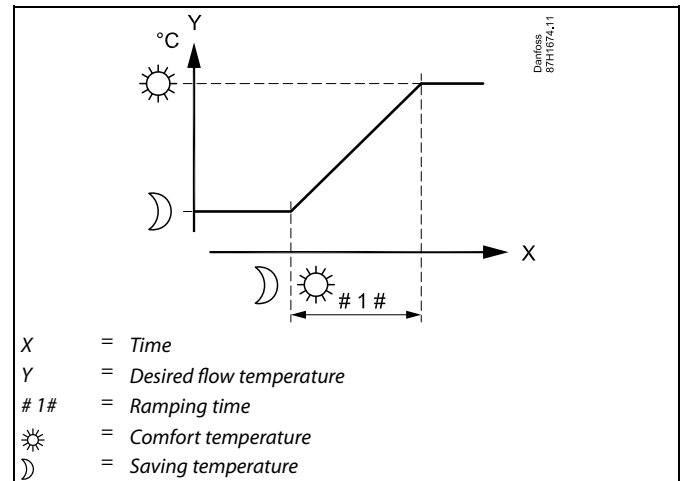
| | |
|---|--------------|
| Ramp (reference ramping) | 1x013 |
| <i>The time (minutes) in which the desired flow temperature increases gradually to avoid load peaks in the heat supply.</i> | |

See Appendix "Parameter ID overview"

OFF: The ramping function is not active.

Value: The desired flow temperature is increased gradually with the set minutes.

In order to avoid load peaks in the supply network, the flow temperature can be set to increase gradually after a period with saving temperature. This causes the valve to open gradually.



Operating Guide ECL Comfort 310, application A368

MENU > Settings > Optimization

| Optimizer (optimizing time constant) | 1x014 |
|---|-------|
| <p>Optimizes the start and stop times for the comfort temperature period to obtain the best comfort at the lowest energy consumption. The lower the outdoor temperature, the earlier the heating cut-in. The lower the outdoor temperature, the later the heating cut-out. The optimized heating cut-out time can be automatic or disabled. The calculated start and stop times are based on the setting of the optimizing time constant.</p> | |

See Appendix "Parameter ID overview"

Adjust the optimizing time constant.

The value consists of a two digit number. The two digits have the following meaning (digit 1 = Table I, digit 2 = Table II).

OFF: No optimization. The heating starts and stops at the times set in the schedule.

10 ... 59: See tables I and II.

Table I:

| Left digit | Heat accumulation of the building | System type |
|------------|-----------------------------------|-----------------------|
| 1- | light | Radiator systems |
| 2- | medium | |
| 3- | heavy | |
| 4- | medium | Floor heating systems |
| 5- | heavy | |

Table II:

| Right digit | Dimensioning temperature | Capacity |
|-------------|--------------------------|----------|
| -0 | -50 °C | large |
| -1 | -45 °C | . |
| . | . | . |
| -5 | -25 °C | normal |
| . | . | . |
| -9 | -5 °C | small |

Dimensioning temperature:

The lowest outdoor temperature (usually determined by your system designer in connection with the design of the heating system) at which the heating system can maintain the designed room temperature.

Example

The system type is radiator, and the heat accumulation of the building is medium.

The left digit is 2.

The dimensioning temperature is -25 °C, and the capacity is normal.

The right digit is 5.

Result:

The setting is to be changed to 25.

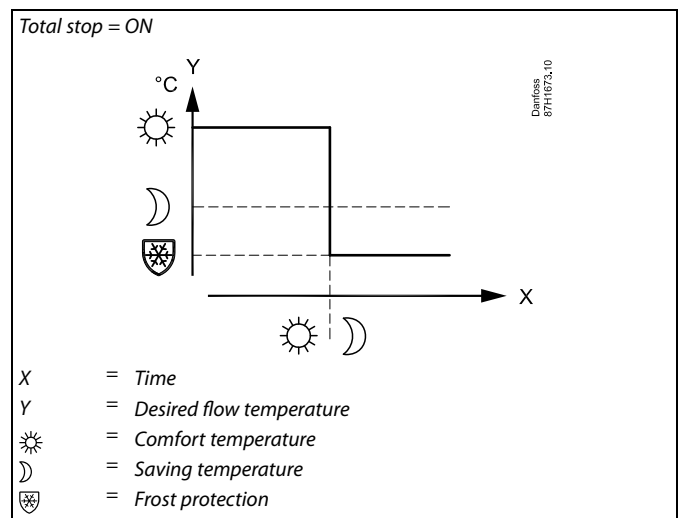
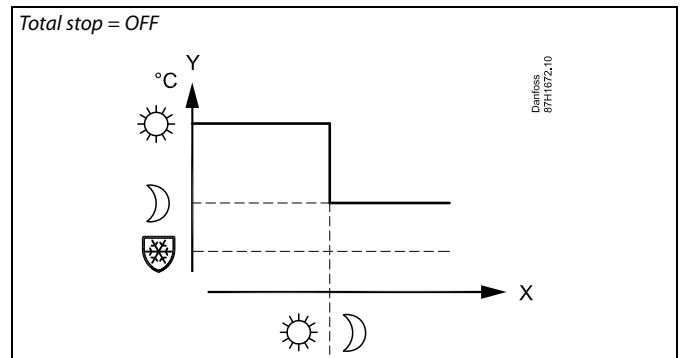
Operating Guide ECL Comfort 310, application A368

MENU > Settings > Optimization

| | |
|---|--------------|
| Total stop | 1x021 |
| <i>Decide whether you want a total stop during the saving temperature period.</i> | |

See Appendix "Parameter ID overview"

- OFF:** No total stop. The desired flow temperature is reduced according to:
- desired room temperature in saving mode
 - auto saving
- ON:** The desired flow temperature is lowered to the set value in 'Frost pr.'. The circulation pump is stopped but frost protection is still active, see 'P frost T'.



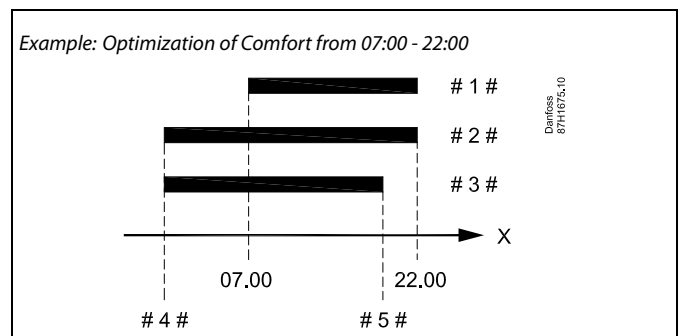
The min. flow temperature limitation ('Temp. min.') is overruled when 'Total stop' is ON.

MENU > Settings > Optimization

| | |
|---|--------------|
| Pre-stop (optimized stop time) | 1x026 |
| <i>Disable the optimized stop time.</i> | |

See Appendix "Parameter ID overview"

- OFF:** The optimized stop time is disabled.
- ON:** The optimized stop time is enabled.



- X = Time
1# = Schedule
2# = Prestop = OFF
3# = Prestop = ON
4# = Optimized start
5# = Optimized stop

Operating Guide ECL Comfort 310, application A368

MENU > Settings > Optimization

Parallel operation

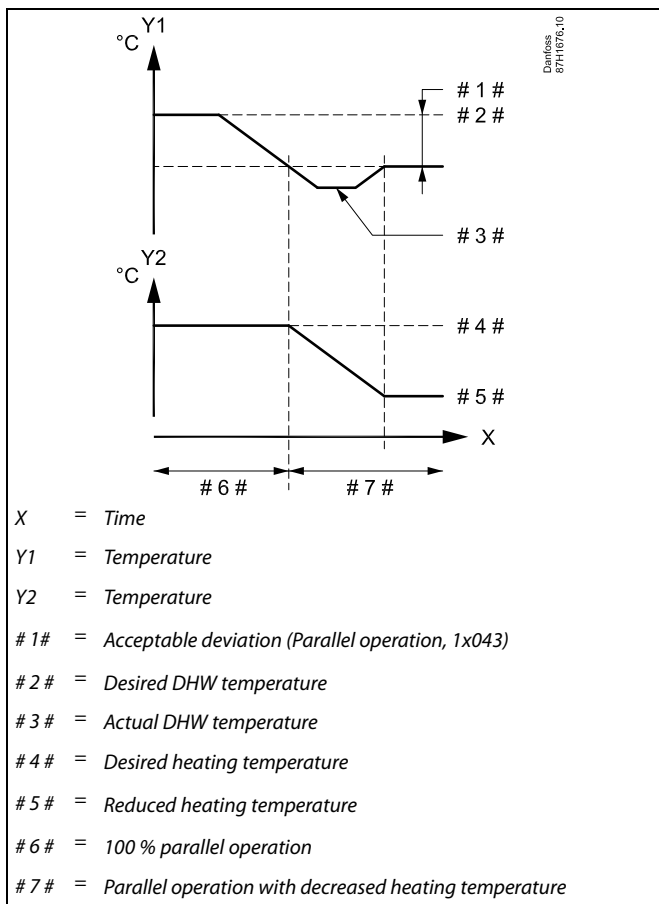
1x043

Choose whether the heating circuit is to operate in dependence of the DHW circuit. This function might be useful if an installation has limited power or flow.

See Appendix "Parameter ID overview"

OFF: Independent parallel operation, i.e. the DHW and the heating circuits operate independently of each other. It makes no difference whether the desired DHW temperature can be reached or not.

Value: Dependent parallel operation, i.e. the desired heating temperature depends on the DHW demand. Choose how much the DHW temperature can drop before the desired heating temperature has to be decreased.



If the actual DHW temperature deviates more than the set value, the gear motor M2 in the heating circuit will gradually close to such an extent that the DHW temperature stabilizes at the lowest acceptable value.



In case the Parallel operation is active (a too low DHW temperature and therefore a reduced heating circuit temperature), a slave's temperature demand will not change the desired flow temperature in the heating circuit.



When dependent parallel operation is in function:

- Desired flow temperature for the heating circuit will be minimum limited, when "Priority for return temperature" (ID 1x085) is set to OFF.
- Desired flow temperature for the heating circuit will not be minimum limited, when "Priority for return temperature" (ID 1x085) is set to ON.

Operating Guide ECL Comfort 310, application A368

MENU > Settings > Optimization

Summer, cut-out (limit for heating cut-out)

1x179

See Appendix "Parameter ID overview"

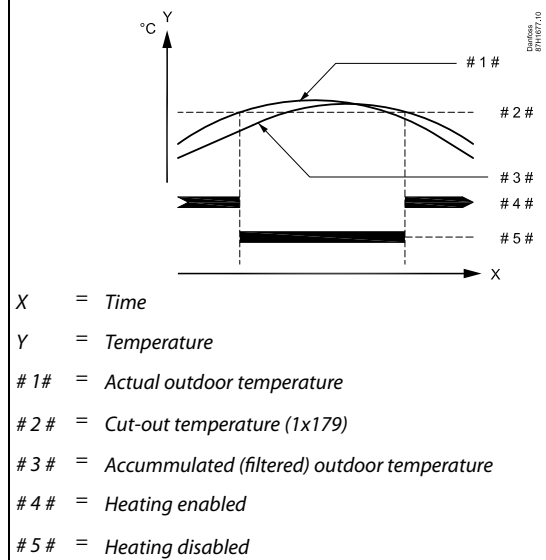
The heating can be switched OFF when the outdoor temperature is higher than the set value. The valve closes and after the post-run time, the heating circulation pump stops. 'Temp. min.' will be overruled.

The heating system switches ON again when the outdoor temperature and the accumulated (filtered) outdoor temperature become lower than the set limit.

This function can save energy.

Set the value for outdoor temperature at which you want the heating system to switch OFF.

Summer, cut-out



The heating cut-out is only active when the controller mode is in scheduled operation. When the cut-out value is set to OFF, there is no heating cut-out.

5.6 Control parameters

Control of valves

The motorized control valves are controlled by means of 3-point control signal.

Valve control:

The motorized control valve is opened gradually when the flow temperature is lower than the desired flow temperature and vice versa.

The water flow through the control valve is managed by means of an electric actuator. The combination "actuator" and "control valve" is also called motorized control valve. The actuator can in this way gradually increase or decrease the flow in order to change the supplied energy. Different types of actuators are available.

3-point controlled actuator:

The electric actuator contains a reversible gear-motor. Electric "open" and "close" signals come from the electronic outputs of the ECL Comfort controller in order to manage the control valve. The signals are in the ECL Comfort controller expressed as "Arrow-up" (open) and "Arrow-down" (close) and displayed at the valve symbol. When the flow temperature (for example at S3) is lower than the desired flow temperature, short open-signals come from the ECL Comfort controller in order to gradually increase the flow. By this, the flow temperature will align with the desired temperature.

Oppositely, when the flow temperature is higher than the desired flow temperature, short close-signals come from the ECL Comfort controller in order to gradually reduce the flow. Again, the flow temperature aligns with the desired temperature.

Neither open-signals nor close-signals will come as long as the flow temperature corresponds to the desired temperature.



Parameters indicated with an ID no. like "1x607" mean a universal parameter.

x stands for circuit / parameter group.

Operating Guide ECL Comfort 310, application A368

MENU > Settings > Control parameters

| | |
|---|--------------|
| Auto tuning | 1x173 |
| <i>Automatically determines the control parameters for the DHW control. 'Xp', 'Tn' and 'M run' do not need to be set, when using auto tuning. 'Nz' must be set.</i> | |

See Appendix "Parameter ID overview"

OFF: Auto tuning is not activated.

ON: Auto tuning is activated.

The auto tuning function automatically determines the control parameters for DHW control. Thus you do not need to set the 'Xp', 'Tn' and 'M run', as they are automatically set when the auto tuning function is set to ON.

Auto tuning is typically used in connection with the installation of the controller, but it can be activated when needed, e.g. for an extra check of the control parameters.

Before starting the auto tuning, the tapping flow should be adjusted to the relevant value (see table).

If possible, any additional DHW consumption should be avoided during the auto tuning process. Should the tapping load vary too much, the auto tuning and controller will return to the default settings.

Auto tuning is activated by setting the function to ON. When the auto tuning is ended, the function is automatically converted to OFF (default setting). This will be indicated in the display.

The auto tuning process takes up to 25 minutes.

| No. of apartments | Heat transfer (kW) | Constant DHW draw-off (l / min) |
|-------------------|--------------------|-------------------------------------|
| 1-2 | 30-49 | 3 (or 1 tap 25% open) |
| 3-9 | 50-79 | 6 (or 1 tap 50% open) |
| 10-49 | 80-149 | 12 (or 1 tap 100% open) |
| 50-129 | 150-249 | 18 (or 1 tap 100% + 1 tap 50% open) |
| 130-210 | 250-350 | 24 (or 2 taps 100% open) |



In order to meet the summer- / winter variations, the ECL clock must be set to the correct date for an successful auto tuning.

The motor protection function ('Motor pr.') has to be deactivated during auto tuning. During auto tuning the circulation pump for tap water must be switched off. This is done automatically if the pump is controlled by the ECL controller.

Auto tuning is only applicable in connection with valves that are approved for auto tuning, i.e. the Danfoss types VB 2 and VM 2 with split characteristic as well as logarithmic valves such as VF and VFS.

MENU > Settings > Control parameters

| | |
|--|--------------|
| Motor pr. (motor protection) | 1x174 |
| <i>Prevents the controller from unstable temperature control (and resulting actuator oscillations). This can occur at very low load. The motor protection increases the lifetime of all involved components.</i> | |

See Appendix "Parameter ID overview"

OFF: Motor protection is not activated.

Value: Motor protection is activated after the set activation delay in minutes.



Recommended for duct systems with variable load.

MENU > Settings > Control parameters

| | |
|-------------------------------|--------------|
| Xp (proportional band) | 1x184 |
|-------------------------------|--------------|

See Appendix "Parameter ID overview"

Set the proportional band. A higher value will result in a stable but slow control of the flow temperature.

Operating Guide ECL Comfort 310, application A368

MENU > Settings > Control parameters

| | |
|---------------------------------------|--------------|
| Tn (integration time constant) | 1x185 |
|---------------------------------------|--------------|

See Appendix "Parameter ID overview"

Set a high integration time constant (in seconds) to obtain a slow but stable reaction to deviations.

A low integration time constant will make the controller react fast but with less stability.

MENU > Settings > Control parameters

| | |
|--|--------------|
| M run (running time of the motorized control valve) | 1x186 |
|--|--------------|

'M run' is the time in seconds it takes the controlled component to move from fully closed to fully open position.

See Appendix "Parameter ID overview"

Set the 'M run' according to the examples or measure the running time by means of a stop watch.

How to calculate the running time of a motorized control valve

The running time of the motorized control valve is calculated using the following methods:

Seated valves

Running time = Valve stroke (mm) x actuator speed (sec. / mm)

Example: $5.0 \text{ mm} \times 15 \text{ sec. / mm} = 75 \text{ sec.}$

Rotating valves

Running time = Turning degrees x actuator speed (sec. / degr.)

Example: $90 \text{ degr.} \times 2 \text{ sec. / degr.} = 180 \text{ sec.}$

MENU > Settings > Control parameters

| | |
|--------------------------|--------------|
| Nz (neutral zone) | 1x187 |
|--------------------------|--------------|

When the actual flow temperature is within the neutral zone, the controller does not activate the motorized control valve.

See Appendix "Parameter ID overview"

Set the acceptable flow temperature deviation.

Set the neutral zone to a high value if you can accept a high variation in flow temperature.



The neutral zone is symmetrical around the desired flow temperature value, i.e. half the value is above and half the value is below this temperature.

MENU > Settings > Control parameters

| | |
|---|--------------|
| Min. act. time (min. activation time gear motor) | 1x189 |
|---|--------------|

The min. pulse period of 20 ms (milliseconds) for activation of the gear motor.

See Appendix "Parameter ID overview"

| Setting example | Value x 20 ms |
|-----------------|---------------|
| 2 | 40 ms |
| 10 | 200 ms |
| 50 | 1000 ms |

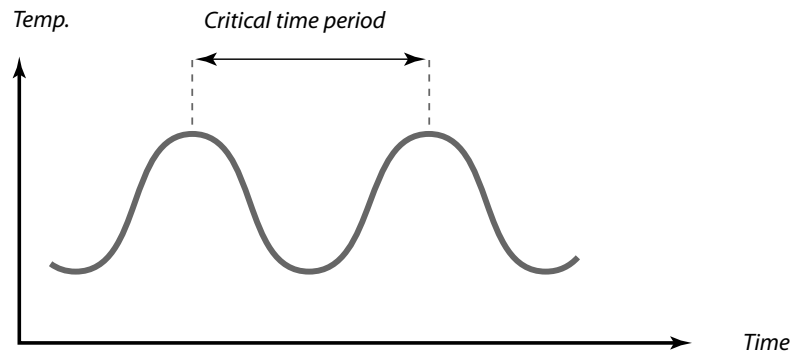


The setting should be kept as high as acceptable to increase the lifetime of the actuator (gear motor).

Operating Guide ECL Comfort 310, application A368

If you want to tune the PI regulation precisely, you can use the following method:

- Set the 'Tn' (integration time constant) to its max. value (999 sec.).
- Decrease the value for the 'Xp' (proportional band) until the system starts hunting (i.e. gets unstable) with a constant amplitude (it might be necessary to force the system by setting an extreme low value).
- Find the critical time period on the temperature recorder or use a stop watch.



This critical time period will be characteristic for the system, and you can evaluate the settings from this critical period.

'Tn' = 0.85 x critical time period

'Xp' = 2.2 x proportional band value in the critical time period

If the regulation seems to be too slow, you can decrease the proportional band value by 10%. Make sure there is a consumption when you set the parameters.

Operating Guide ECL Comfort 310, application A368

5.7 Pump control

This application can operate with one or two circulation pumps. When operating with two circulation pumps, the pumps are controlled alternately, according to a time set-up. When a pump is switched ON the controller is waiting for differential pressure S7 to build up. If differential pressure is not achieved, an alarm is generated and the ECL Comfort controller switches ON the other pump.

If none of the pumps can come into operation (detected by means of the differential pressure switch), the alarm is activated and the motorized control valve closes (a safety function).

The applications A368.1 . . . A368.5 can operate with one or two circulation pumps. When operating with two circulation pumps, the pumps are controlled alternately, according to a time set-up. When a pump is switched ON the controller is waiting for differential pressure S8 to build up. If differential pressure is not achieved, an alarm is generated and the ECL Comfort controller switches ON the other pump.

If none of the pumps can come into operation (detected by means of the differential pressure switch), the alarm is activated and the motorized control valve closes (a safety function).



Parameters indicated with an ID no. like "1x607" mean a universal parameter.
x stands for circuit / parameter group.

MENU > Settings > Pump control

| | |
|-----------------------------------|--------------|
| P exercise (pump exercise) | 1x022 |
|-----------------------------------|--------------|

Exercises the pump to avoid blocking in periods without heat demand.

See Appendix "Parameter ID overview"

OFF: The pump exercise is not active.

ON: The pump is switched ON for 1 minute every third day at noon (12:14 hours).

MENU > Settings > Pump control

| | |
|-------------------|--------------|
| Retry time | 1x310 |
|-------------------|--------------|

If an alarm has been generated for the pump or alarms have been generated for both pumps, this setting will determine the time between the time of the alarm and the retry time for repeated pump start.

See Appendix "Parameter ID overview"

OFF: No retry time required after an alarm. The pump or pumps in question will not be restarted.

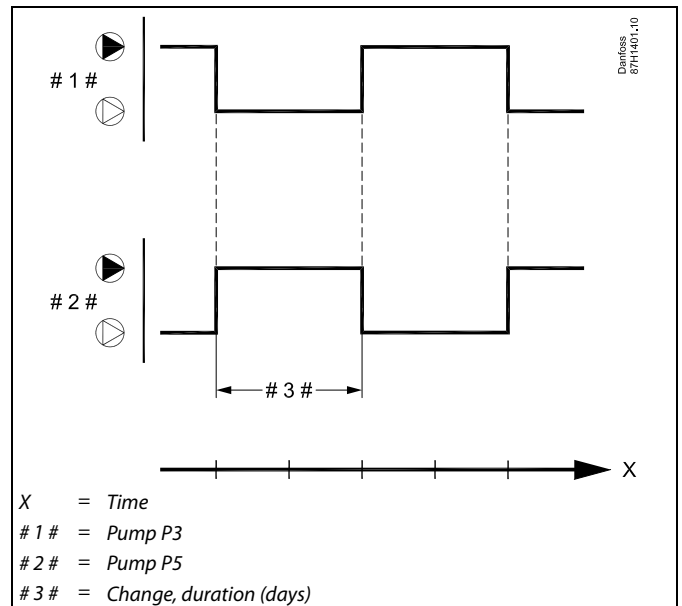
1 ... 99: After an alarm, the pump or pumps will be restarted after the set time.

Operating Guide ECL Comfort 310, application A368

MENU > Settings > Pump control

| | |
|---|--------------|
| Change, duration | 1x311 |
| <i>The number of days between shift of circulation pumps. The shift takes place at the time set in 'Change time'.</i> | |

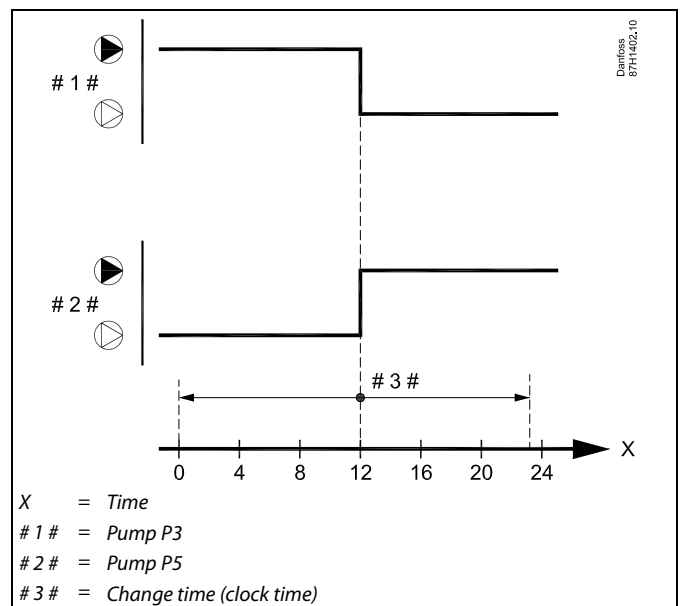
See Appendix "Parameter ID overview"



MENU > Settings > Pump control

| | |
|---|--------------|
| Change time (changeover time) | 1x312 |
| <i>The exact time of the day, where the shift must take place. The day is divided into 24 hours. The factory setting here is 12 which means 12:00 (noon).</i> | |

See Appendix "Parameter ID overview"



MENU > Settings > Pump control

| | |
|---|--------------|
| Stab. time (stabilization time) | 1x313 |
| <i>Setting of max. time to elapse between pump start command and feedback from differential pressure switch. If the differential pressure switch does not give feedback within the set time, the alarm will be activated and the other pump will get a start command.</i> | |

See Appendix "Parameter ID overview"

If the chosen stabilization time ('Stab. time') is too short, the active pump will stop immediately after the stabilization time has elapsed.

Operating Guide ECL Comfort 310, application A368

MENU > Settings > Pump control

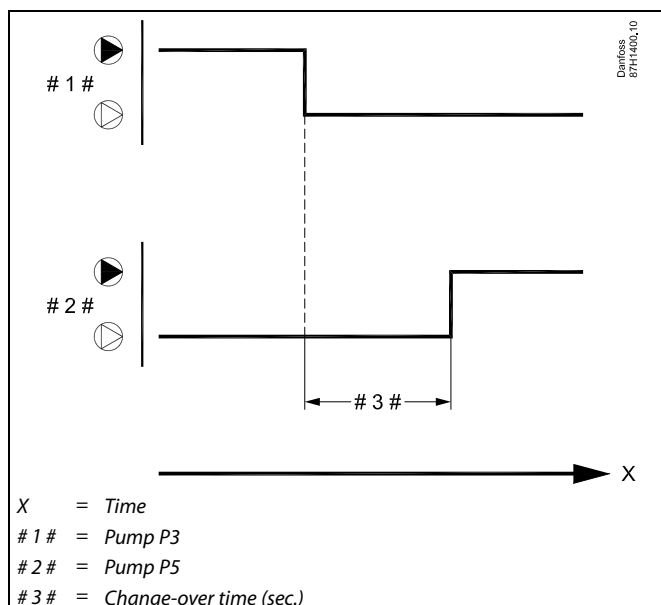
Chan.-over time (change-over time) **1x314**

Setting of time to elapse between the pump stop command for one pump and the start command for the other pump.
The change-over time can ensure that a pump is stopped efficiently before the other pump starts.

See Appendix "Parameter ID overview"

OFF: One circulation pump in the application.

1 ... 99: Time for change-over.



'Chan.-over time' has to be chosen in systems with two pumps.



The status of the differential pressure switch is shown in 'Input overview'.
(Navigation: MENU > Common controller > Input overview).

Example:

S7 status . . . OFF / ON

OFF: The differential pressure switch is closed (differential pressure is OK)

ON: The differential pressure switch is open (differential pressure is not OK)

Operating Guide ECL Comfort 310, application A368

5.8 Refill water

Leaks on the consumers side will result in falling static pressure and thereby a poor supply of heating. A refill water function can inject water to increase the static pressure.

This application can monitor the static pressure and enable the refill water function when the pressure is too low.

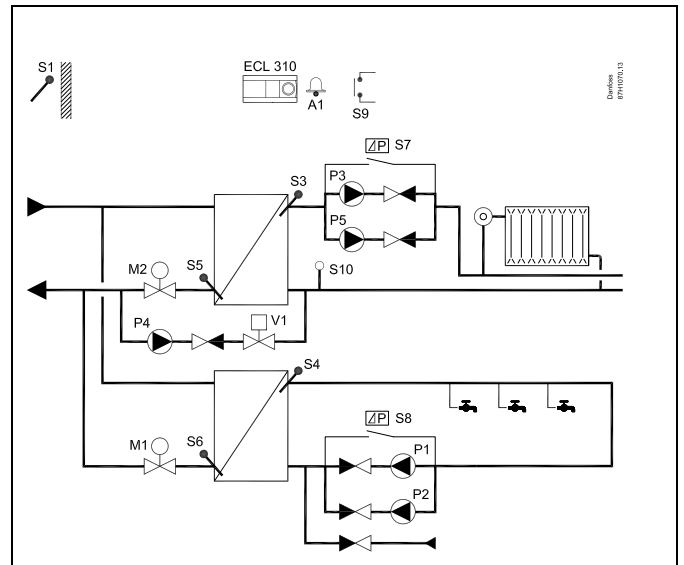
The pressure is measured by means of a pressure transmitter (giving a 0 - 10 volt signal in relation to the measured pressure) or a pressure switch.

When a pressure transmitter signal is used, two settings in the controller represent pressure setpoint and difference.

When a pressure switch signal is used, the setpoint and (maybe) the switching difference is set on the pressure switch.

When a too low pressure is detected the refill water pump is switched ON and, after a set time, the ON-OFF valve is activated.

If the pressure is not achieved within a set time, an alarm is generated. The ECL Comfort controller switches OFF the circulation pumps after 60 seconds and the control valve closes (a safety function).



The alarm function is disabled if the "Alarm handling" (ID 11316) is set to OFF.



Parameters indicated with an ID no. like "1x607" mean a universal parameter.
x stands for circuit / parameter group.

Operating Guide ECL Comfort 310, application A368

MENU > Settings > Refill water

| Pressure | | |
|----------|---------------|-----------------|
| Circuit | Setting range | Factory setting |
| 1 | Read-out only | |

The read-out can be a value (in bar):

- The pressure is measured by means of a pressure transmitter. The transmitter sends the measured pressure as a 0-10 V or a 4-20 mA signal. The voltage signal can be applied directly to input S10. A current signal is converted by means of a resistor to a voltage and then applied to input S10. The measured voltage on input S10 must be converted to a pressure value by the controller. This procedure sets up the scaling.

Push the dial to see the graph and enter the value sets for the input voltage (2 and 10 volt) and displayed pressure (in bar).

Pressure value range: 0.0 ... 30.0 bar

Fixed voltage settings: 2 V and 10 V

Factory settings: (2.0,0) and (10,20.0)

This means that the 'Pressure' is 0.0 bar at 2 V and 20.0 bar at 10 V.

Typically, the higher the voltage, the higher the displayed pressure.

Or the read-out can be OFF or ON:

- The pressure is measured by means of a pressure switch. The pressure switch has an open contact when measuring a too low pressure (shown as OFF). When measured pressure is OK, the contact is closed (shown as ON).

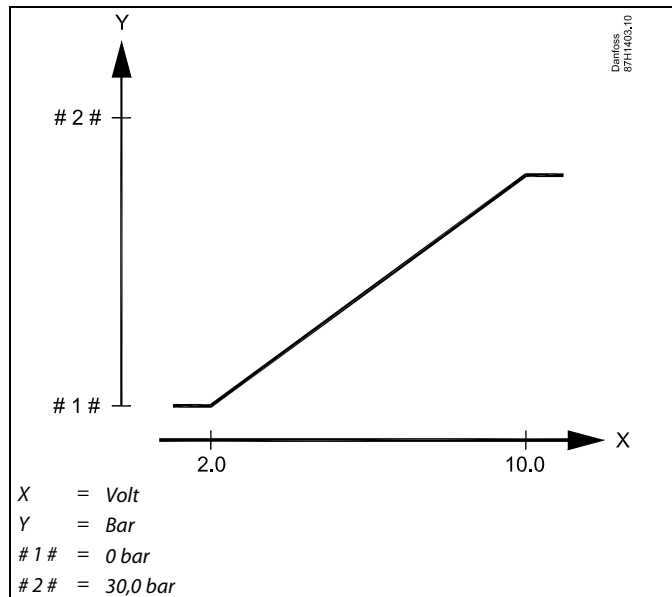
The pressure switch contact (potential free) is connected directly to input S10.

MENU > Settings > Refill water

| Alarm handling | 1x316 |
|---|-------|
| Choose whether the controller must react on an unacceptable pressure. | |

See Appendix "Parameter ID overview"

- OFF:** Alarm function is disabled. Circulation pump is not stopped although the pressure is too low.
- ON:** Alarm function is enabled. Circulation pump is stopped if the pressure is too low.



This scaling menu is always shown, regardless whether a pressure transmitter or a pressure switch is used.

Operating Guide ECL Comfort 310, application A368

MENU > Settings > Refill water

| | |
|---|--------------|
| P exercise (pump exercise) | 1x320 |
| <i>The time the pump is activated during exercise. Exercise takes place every day (at 12:00).</i> | |

See Appendix "Parameter ID overview"

OFF: No pump exercise.

1 ... 200: Activation time during exercise.

MENU > Settings > Refill water

| Pressure | | Read-out |
|--|---------------|-----------------|
| Circuit | Setting range | Factory setting |
| 1 | - | *) |
| <p><i>The pressure is indicated as a value measured in bar. A 0 - 10 volt signal comes directly from a pressure transmitter (voltage output) or converted by means of a resistor from a pressure transmitter (current output). The voltage signal is applied to the input in question and is converted to the displayed pressure value. Access to conversion (scale) settings.</i></p> | | |

*) 2.0 volt = 0.0 bar, 10.0 volt = 20.0 bar

The pressure is measured by means of a 0 - 10 volt signal. The measured voltage must be converted to a pressure value by the controller.

The following procedure sets up the conversion:
Push the dial to see the graph and enter the value sets for the 2 input voltages and related pressure values.
Pressure value range: 0.0 ... 30.0 bar.

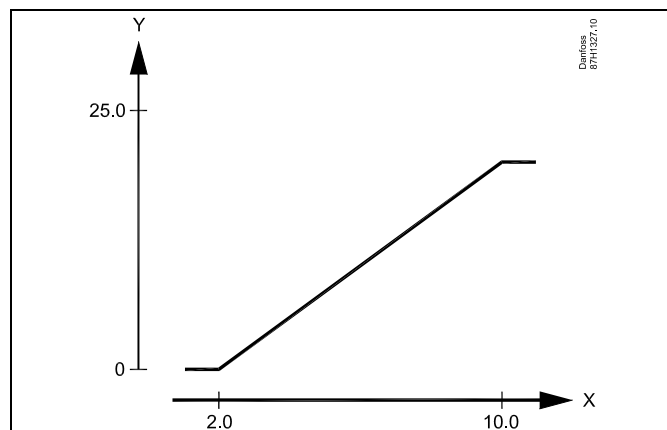
Factory settings: 2, 0.0 (= 2 V / 0.0 bar) and 10, 10.0 (= 10 V / 10.0 bar).

This means that the "Pressure" is 0.0 bar at 2 V and 10.0 bar at 10 V. Typically, the higher the voltage, the higher the displayed pressure.

MENU > Settings > Refill water

| | |
|---|--------------|
| Pressure, diff. (switching difference) | 1x322 |
| <i>Setting of the switching difference for measured static pressure (pressure transmitter). The difference is symmetrical around the 'Pressure des.' See also 'Pressure des.'</i> | |

See Appendix "Parameter ID overview"



X = Volt

Y = Pressure (bar)



This scaling menu is always displayed, regardless a pressure signal is applied.
The pressure is indicated as 0.0 bar when the pressure signal is not applied.



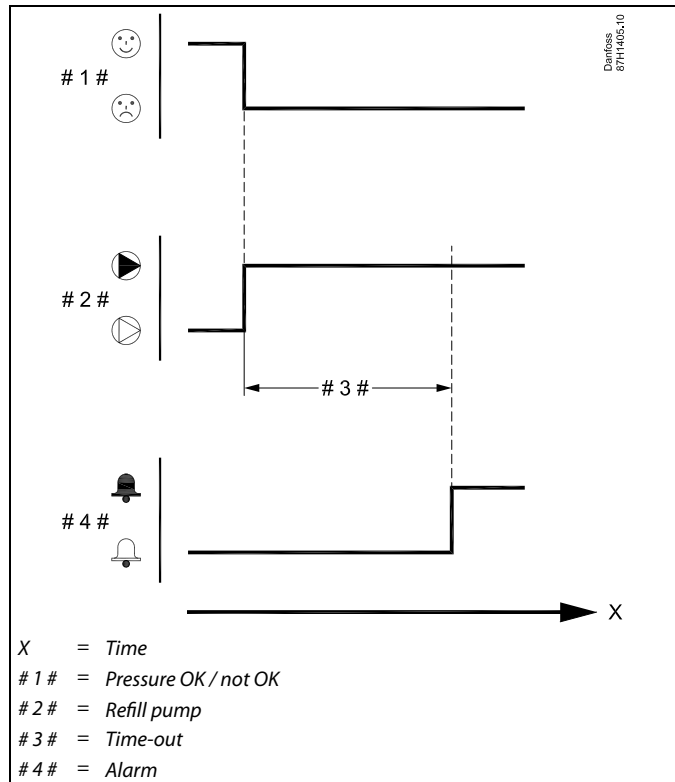
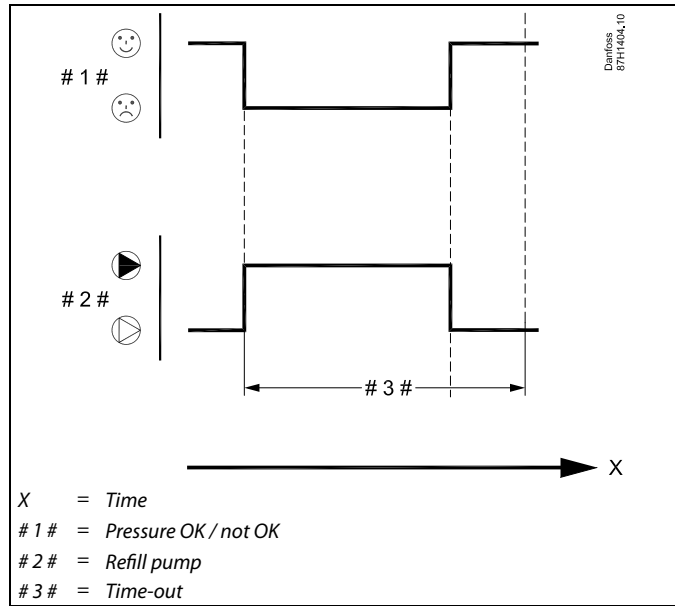
The settings in 'Pressure, des.' and 'Pressure, diff.' have no influence when a pressure switch is used.

Operating Guide ECL Comfort 310, application A368

MENU > Settings > Refill water

| | |
|--|--------------|
| Time-out | 1x323 |
| Setting of the max. time for refill. The pressure, measured by S10, must be OK within the set time. If not, the refill water function stops and an alarm is activated. | |

See Appendix "Parameter ID overview"

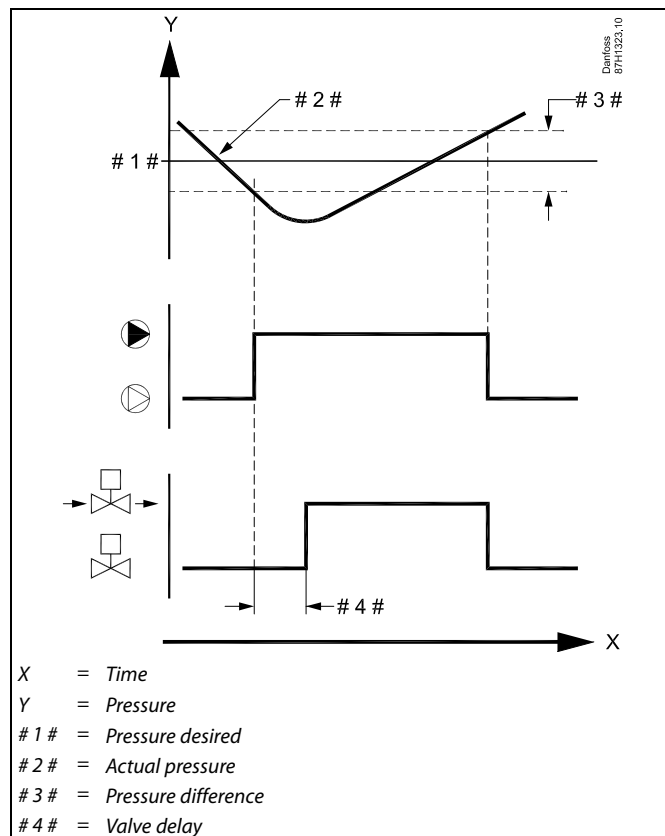


Operating Guide ECL Comfort 310, application A368

MENU > Settings > Refill water

| | |
|--|--------------|
| Valve delay | 1x325 |
| Setting of the time for activation of the ON/OFF valve after start of the refill water pump. | |

See Appendix "Parameter ID overview"



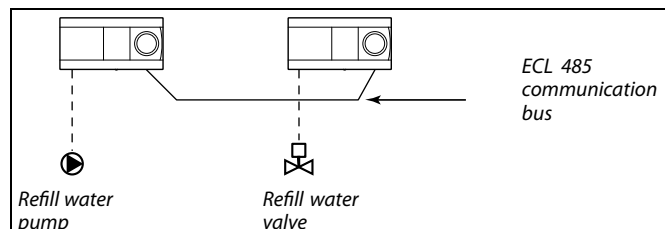
MENU > Settings > Refill water

| | |
|---|--------------|
| No. of pumps | 1x326 |
| Setting of the number of pumps in the refill water circuit. | |

See Appendix "Parameter ID overview"

OFF: The refill water pump function is controlled by the master controller.

1 ... 2: The refill water function has one or two pumps.



When selecting OFF and a demand for refill occurs, the controller for the actual circuit sends the requirement via the ECL 485 communication bus to the master controller.

The master must be running an application with refill water function. The master starts the refill water pump and sends, via the ECL 485 communication bus, a message that the refill water pump is started. The refill water valve then opens.

The slave must have an address 1 ... 9.

Operating Guide ECL Comfort 310, application A368

MENU > Settings > Refill water

| | |
|---|--------------|
| Input type | 1x327 |
| <i>Choice of pressure input signal.</i> | |



When selecting 'OFF', the refill water system could be self-acting.

See Appendix "Parameter ID overview"

OFF: Pressure signal is not required. The refill water function is disabled.

AI: The input signal is an analog signal (0 - 10 V).

DI: The input signal is a digital signal (switch OFF or ON).



The static pressure is shown in 'Input overview' as a value in bar or OFF / ON.

Example:

OFF: The pressure switch is open (pressure is not OK)

ON: The pressure switch is closed (pressure is OK)

Operating Guide ECL Comfort 310, application A368

5.9 Application

The section "Application" describes specific application related issues.

Some of the parameter descriptions are universal for different application keys.



Parameters indicated with an ID no. like "1x607" mean a universal parameter.
x stands for circuit / parameter group.

MENU > Settings > Application

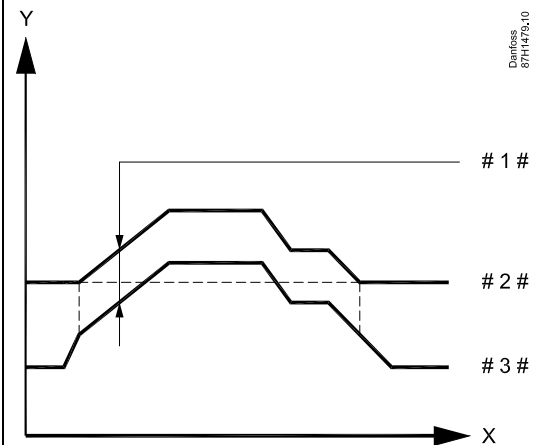
| Demand offset | 1x017 |
|--|-------|
| The desired flow temperature in heating circuit 1 can be influenced by the demand for a desired flow temperature from another controller (slave) or another circuit. | |

See Appendix "Parameter ID overview"

OFF: The desired flow temperature in circuit 1 is not influenced by the demand of any other controller (slave or circuit 2).

Value: The desired flow temperature is increased by the set value in 'Demand offset', if the demand of the slave / circuit 2 is higher.

Heating application



X = Time

Y = Desired flow temperatures

1 # = Demand offset

2 # = Desired flow temperature, master

3 # = Desired flow temperature, slave



'Demand offset' with a value is to be used in the Master controller only.



The function of 'Demand offset' can compensate for heat losses between master and slave controlled systems.



When setting "Demand offset" to a value, the return temperature limitation will react according to the highest limitation value (Heating / DHW).

Operating Guide ECL Comfort 310, application A368

MENU > Settings > Application


| | |
|--|--------------|
| M exercise (valve exercise) | 1x023 |
| <i>Exercises the valve to avoid blocking in periods without heat demand.</i> | |

See Appendix "Parameter ID overview"

- OFF:** The valve exercise is not active.
- ON:** The valve opens for 7 minutes and closes for 7 minutes every third day at noon (12:00 hours).

MENU > Settings > Application

| | |
|---|--------------|
| DHW priority (closed valve / normal operation) | 1x052 |
| <i>The heating circuit can be closed when the controller acts as slave and when DHW heating / charging is active in the master.</i> | |




This setting must be considered if this controller is a slave.

See Appendix "Parameter ID overview"

- OFF:** The flow temperature control remains unchanged during active DHW heating / charging in the master controller.
- ON:** The valve in the heating circuit is closed* during active DHW heating / charging in the master controller.
* *The desired flow temperature is set to the value set in 'Frost pr. T'*

MENU > Settings > Application


| | |
|--|--------------|
| P frost T (circulation pump, frost protection temp.) | 1x077 |
| <i>Frost protection, based on the outdoor temperature. When the outdoor temperature gets below the set temperature value in 'P frost T', the controller automatically switches ON the circulation pump (for example P1 or X3) to protect the system.</i> | |



Under normal conditions, your system is not frost protected if your setting is below 0 °C or OFF.
For water-based systems, a setting of 2 °C is recommended.

See Appendix "Parameter ID overview"


- OFF:** No frost protection.
- Value:** Circulation pump is ON when the outdoor temperature is below the set value.



If the outdoor temperature sensor is not connected and the factory setting has not been changed to 'OFF', the circulation pump is always ON.

MENU > Settings > Application

| | |
|---|--------------|
| P heat T (heat demand) | 1x078 |
| <i>When the desired flow temperature is above the set temperature in 'P heat T', the controller automatically switches ON the circulation pump.</i> | |



The valve is fully closed as long as the pump is not switched on.

See Appendix "Parameter ID overview"

- Value:** The circulation pump is switched ON when the desired flow temperature is above the set value.

Operating Guide ECL Comfort 310, application A368

MENU > Settings > Application

Frost pr. T (frost protection temp.) **1x093**

Set the desired flow temperature at temperature sensor S3 to protect the system against frost (at heating cut-out, total stop etc.).
When the temperature at S3 gets lower than the setting, the motorized control valve opens gradually.



The frost protection temperature can also be set in your favorite display when the mode selector is in frost protection mode.

See Appendix "Parameter ID overview"

Override mode functions:

The following settings describe the function in general for the ECL Comfort 210 / 296 / 310 series. The explained modes are typical and not application related. They might differ from the override modes in your application.

MENU > Settings > Application

Ext. input (external override) **1x141**

Choose the input for 'Ext. input' (external override). By means of a switch the controller can be overridden to 'Comfort', 'Saving', 'Frost protection' or 'Constant temperature' mode.

See Appendix "Parameter ID overview"

OFF: No inputs have been selected for external override.

S1 ... S16: Input selected for external override.

If S1... S6 is chosen as override input, the override switch must have gold-plated contacts.

If S7 ... S16 is chosen as override input, the override switch can be a standard contact.

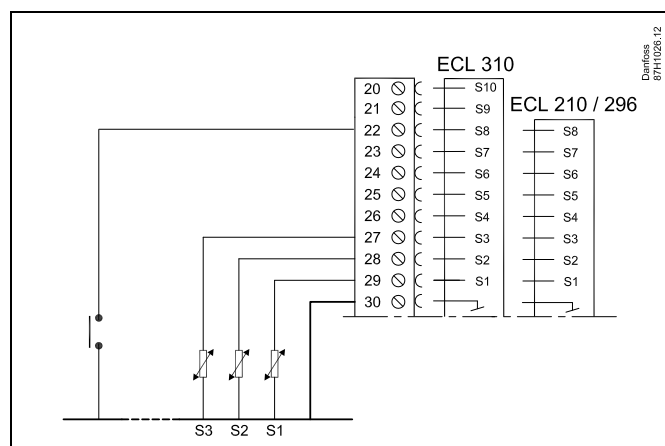
See the drawings for connection examples of override switch and override relay to input S8.

S7...S16 are recommended for override switch.

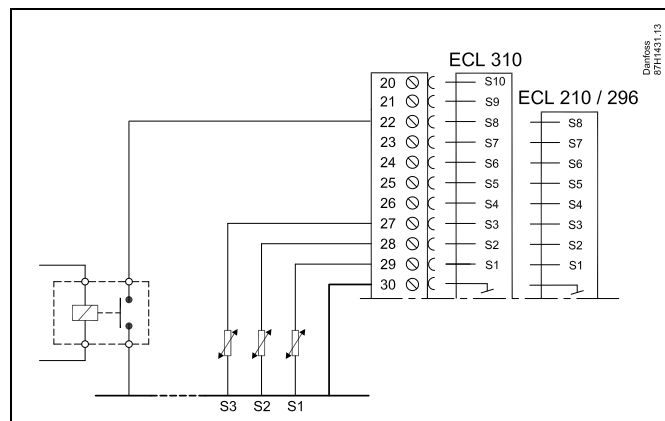
If ECA 32 is mounted, also S11... S16 can be used.

If ECA 35 is mounted, also S11 or S12 can be used.

Example: Connection of an override switch



Example: Connection of an override relay



Choose only an unused input for override. If an already used input is applied for override, the functionality of this input is also neglected.



See also 'Ext. mode'.

Operating Guide ECL Comfort 310, application A368

MENU > Settings > Application

Ext. mode (external override mode) 1x142

The mode override can be activated for Saving, Comfort, Frost pr. or Constant T mode.
For override, the controller mode must be in scheduled mode.

See Appendix "Parameter ID overview"

Choose an override mode:

- SAVING:** The circuit in question is in saving mode when the override switch is closed.
- COMFORT:** The circuit in question is in comfort mode when the override switch is closed.
- FROST PR.:** The heating or DHW circuit closes, but is still frost protected.
- CONSTANT T:** The circuit in question controls a constant temperature *)

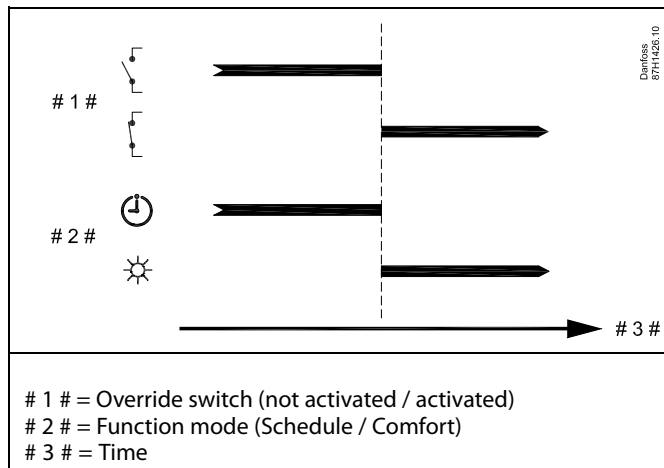
*) See also 'Desired T' (1x004), setting of desired flow temperature (MENU > Settings > Flow temperature)
See also 'Con. T, ret. T lim.' (1x028), setting of return temperature limitation (MENU > Settings > Return limit)

The process diagrams show the functionality.

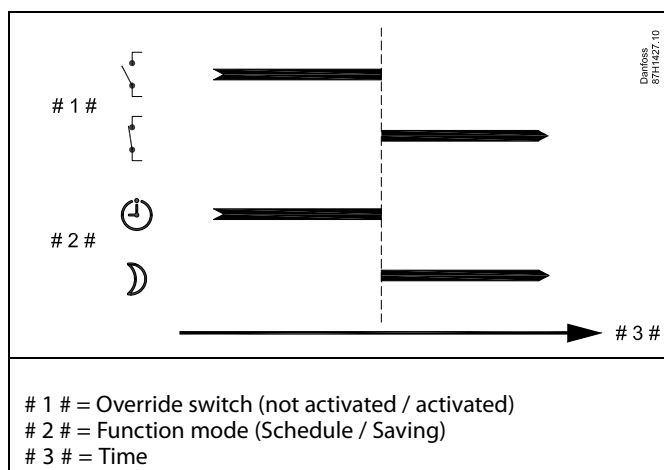


See also 'Ext. input'.

Example: Override to Comfort mode



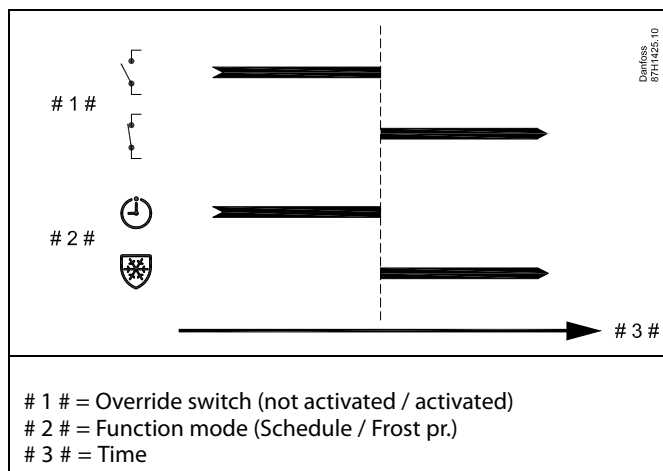
Example: Override to Saving mode



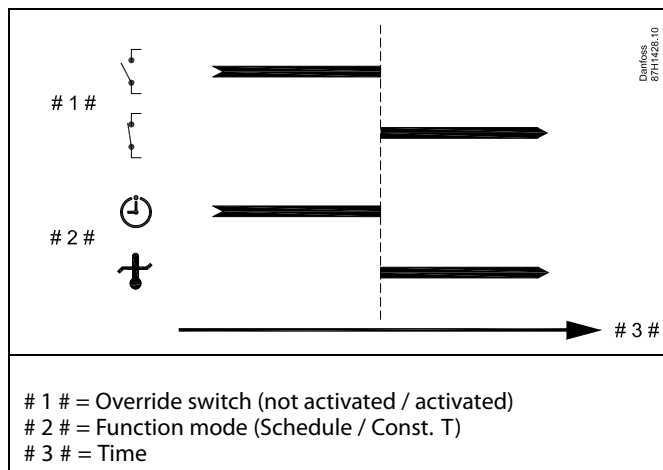
The result of override to 'Saving' mode depends on the setting in 'Total stop'.

Total stop = OFF: Heating reduced
Total stop = ON: Heating stopped

Example: Override to Frost protection mode



Example: Override to Constant temperature mode



The "Const. T" value can be influenced by:

- temp. max.
- temp. min.
- room temp. limit
- return temp. limit
- flow / power limit

Operating Guide ECL Comfort 310, application A368

MENU > Settings > Application

| | |
|-----------------------|--------------|
| Send desired T | 1x500 |
|-----------------------|--------------|

When the controller acts as a slave controller in a master / slave system, information about the desired flow temperature can be sent to the master controller via the ECL 485 bus.

Stand-alone controller:

Sub-circuits can send the desired flow temperature to the master circuit.

See Appendix "Parameter ID overview"

OFF: Information about the desired flow temperature is not sent to the master controller.

ON: Information about the desired flow temperature is sent to the master controller.



In the master controller, 'Demand offset' must be set to a value in order to react on a desired flow temperature from a slave controller.



When the controller acts as a slave, its address must be 1, 2, 3 ... 9 in order to send the desired temperature to the master (see the section 'Miscellaneous', 'Several controllers in the same system').

5.10 Heat cut-out

MENU > Settings > Heat cut-out

The setting "Summer cut-out" under "Optimization" for the heating circuit in question determines a heating cut-out when the outdoor temperature exceeds the set value.

A filtering constant for calculating the accumulated outdoor temperature is internally set to a value of "250". This filtering constant represents an average building with solid outer and inner walls (bricks).

An option for differentiated cut-out temperatures, based on a set summer period, can be utilized in order to avoid discomfort at falling outdoor temperature. Furthermore, separate filtering constants can be set.

The factory set values for Summer period start and Winter period start are set to same date: May, 20 (Date = 20, Month = 5).

This means:

- "Differentiated cut-out temperatures" are disabled (not active)
- Separate "Filtering constant" values are disabled (not active)

In order to enable differentiated

- cut-out temperature based on summer / winter period
- filtering constants

the start dates for the periods must be different.

Operating Guide ECL Comfort 310, application A368

5.10.1 Differentiated heat cut-out

To set differentiated cut-out parameters for a heating circuit for "Summer" and "Winter" go to "Heat cut-out":

(MENU > Settings > Heat cut-out)

This function is active when the dates for "Summer" and "Winter" are different in the "Heat cut-out" menu.



Parameters indicated with an ID no. like "1x607" mean a universal parameter.

x stands for circuit / parameter group.

MENU > Settings > Heat cut-out

| Extended heat cut-out setting | | | |
|-------------------------------|-------|---------------|-----------------|
| Parameter | ID | Setting range | Factory setting |
| Summer day | 1x393 | * | * |
| Summer month | 1x392 | * | * |
| Summer cut-out | 1x179 | * | * |
| Summer filter | 1x395 | * | * |

See Appendix "Parameter ID overview"

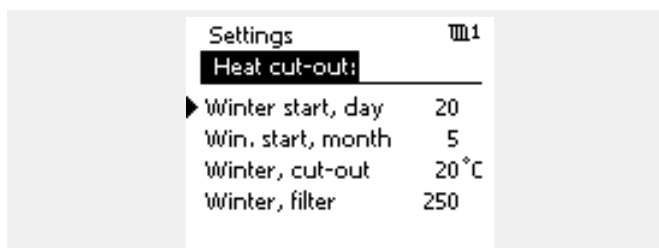
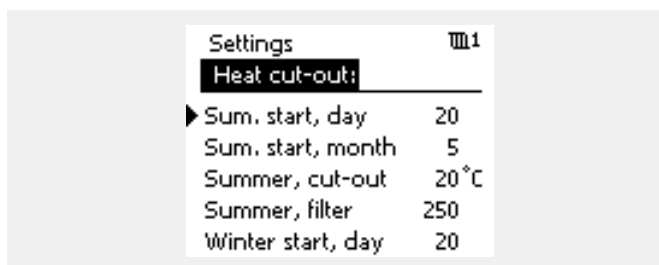
MENU > Settings > Heat cut-out

| Extended winter cut-out setting | | | |
|---------------------------------|-------|---------------|-----------------|
| Parameter | ID | Setting range | Factory setting |
| Winter day | 1x397 | * | * |
| Winter month | 1x396 | * | * |
| Winter cut-out | 1x398 | * | * |
| Winter filter | 1x399 | * | * |

See Appendix "Parameter ID overview"

The above settings of the dates for the cut-out function are only to be done in the heating circuit 1 and are valid for other heating circuits in the controller as well, if applicable.

The cut-out temperatures as well as the filter constant are to be set individually per heating circuit.



The heating cut-out is only active when the controller mode is in scheduled operation. When the cut-out value is set to OFF, there is no heating cut-out.

Operating Guide ECL Comfort 310, application A368

5.10.2 Summer/winter filter constant

The filter constant of 250 is applicable for average buildings. A filter constant of 1 is close switching according to actual outdoor temperature meaning low filtering (very "light" building).

A filter constant of 300 is then to be chosen if a big filtering is needed (very heavy building).

For heating circuits where the heat cut-out is demanded according to the same outdoor temperature for the whole year, but different filtering is wanted, different dates have to be set in the "Heat cut-out" menu enabling a selection of a filter constant different from the factory setting.

These different values have to be set in both the "Summer" and "Winter" menu.

| Settings | U1 |
|----------------------|-------|
| Heat cut-out: | |
| Sum. start, day | 20 |
| Sum. start, month | 5 |
| Summer, cut-out | 20 °C |
| ▶ Summer, filter | 100 |
| Winter start, day | 21 |

| Settings | U1 |
|----------------------|-------|
| Heat cut-out: | |
| Winter start, day | 21 |
| Win. start, month | 5 |
| Winter, cut-out | 20 °C |
| ▶ Winter, filter | 250 |

Operating Guide ECL Comfort 310, application A368

5.11 Water meter

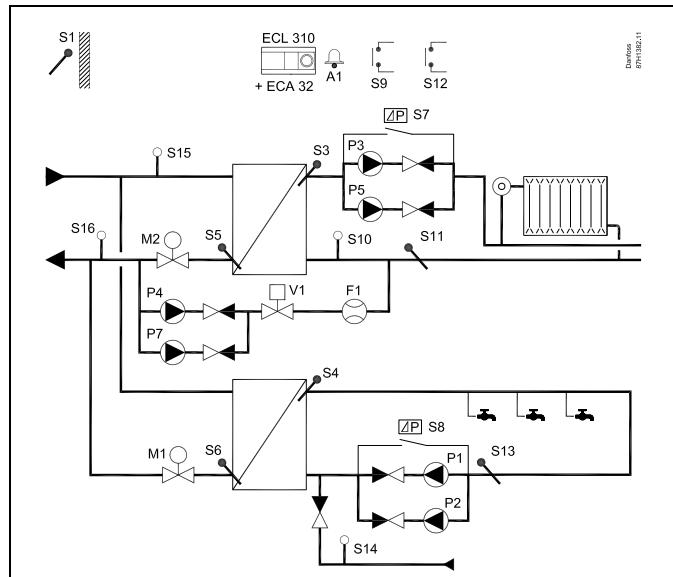
Application A368.5

A water meter, F1, can measure the amount of refill water injected into the heating installation.

The water flow at F1 is measured by means of:

- * a flow meter, giving pulses to "Pulse 1" on the ECA 32 module

The water amount is displayed in m³.



Parameters indicated with an ID no. like "1x607" mean a universal parameter.
x stands for circuit / parameter group.

MENU > Settings > Water meter

| Consump. (A368.5) | Read-out |
|-------------------|----------|
|-------------------|----------|

Amount of refill water injected into the heating installation.
The displayed value is in m³.

MENU > Settings > Water meter

| Pulse value | 1x513 |
|-------------|-------|
|-------------|-------|

Setting of the value of each pulse from the water (flow) meter.
This parameter is used when the water meter is connected to the "Pulse 1" on the ECA 32 module.

See Appendix "Parameter ID overview"

Operating Guide ECL Comfort 310, application A368

MENU > Settings > Water meter

| | |
|---|--------------|
| Preset | 1x514 |
| <i>Is used for resetting the measured water consumption (registered by the water meter). Via the Modbus communication a value can be preset to a defined value, for example if the water meter is replaced.</i> | |

See Appendix "Parameter ID overview"

- OFF:** Normal status.
- ON:** The registered amount of water is reset to 0 (zero). The setting returns to OFF.

Operating Guide ECL Comfort 310, application A368

5.12 Alarm

The section "Alarm" describes specific application related issues. Application A368 offers different types of alarms:

| Type | Description: |
|------|---|
| 1 | Actual flow temperature differs from the desired flow temperature |
| 1 | Activation of alarm input(s) S9 / (S12) |
| 2 | Refill water function does not work |
| 2 | Missing feedback from pump differential pressure (S7 / S8) |
| 2 | Disconnection or short-circuiting of a temperature sensor or its connection |

The alarm functions activate the alarm bell symbol.

The alarm functions activate A1 (relay 6 in the ECL 310 controller): The alarm relay can activate a lamp, a horn, an input to an alarm transmitting device etc.

The alarm symbol / relay is activated:

- (type 1) as long as the alarm reason is present (automatic reset)
- (type 2) even if the alarm reason disappears again (manual reset)

Alarm type 1:

- If the flow temperature deviates more than the set differences from the desired flow temperature, the alarm symbol / relay will be activated after a set delay
- If one of the alarm inputs are activated

Alarm type 2:

- Refill water function does not fulfil the demand within set time
- The differential pressure across the circulation pump is not achieved (S7 / S8 not activated)
- Selected temperature sensors can be monitored. Should the connection to the temperature sensor be disconnected, short-circuited or the sensor gets defective, the alarm symbol / relay will be activated. In the "Raw input overview" (MENU > Common controller settings > System > Raw input overview) the sensor in question is marked and the alarm can be reset.

Operating Guide ECL Comfort 310, application A368

Alarm overview, list

| Alarm no.: | Description: | Alarm type: | Sensor ref.: | A368.1 A368.2 | A368.3 A368.4 A368.5 | A368.6 |
|------------|------------------------|-------------|--------------|------------------|----------------------------|--------|
| 1 | Refill water | 2 | | x | x | x |
| 3 | Pump 1 | 2 | S8 | x | x | |
| 4 | Pump 2 | 2 | S8 | x | x | |
| 5 | Pump 3 | 2 | S7 | x | x | x |
| 6 | Pump 5 | 2 | S7 | x | x | x |
| 7 | Temp. monitor, heating | 1 | S3 | x | x | x |
| 8 | Temp. monitor, DHW | 1 | S4 | x | x | x |
| 9 | Digital 9 | 1 | S9 | x | x | x |
| 10 | Digital 12 | 1 | S12 | | x | |
| 32 | T sensor defect | 2 | | x | x | x |

To find the reason for an alarm:

- select MENU
- select 'Alarm'
- select 'Alarm overview'. A "bell" will be shown at the alarm in question.

Alarm overview (example):

2: Max. temp.

3: Temp. monitor

32: T sensor defect

The numbers in the 'Alarm overview' refer to the alarm number in the Modbus communication.

To reset an alarm:

When the "bell" is present to the right of the alarm line, place the cursor at the alarm line in question and press the dial.

To reset alarm 32:

MENU > Common controller settings > System > Raw input overview: The sensor in question is marked and the alarm can be reset.



Parameters indicated with an ID no. like "1x607" mean a universal parameter.
x stands for circuit / parameter group.

Operating Guide ECL Comfort 310, application A368

MENU > Settings > Alarm

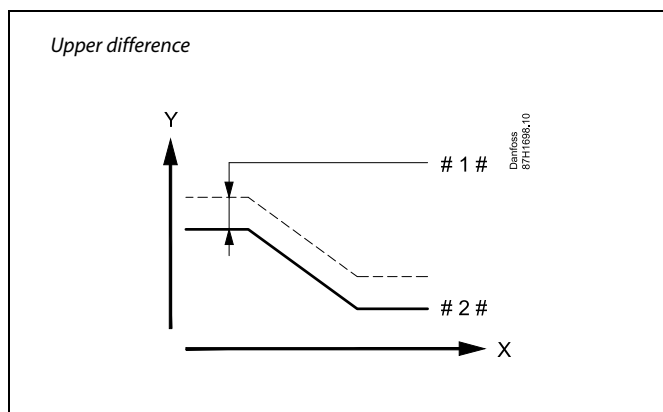
Upper difference 1x147

The alarm is activated if the actual flow temperature increases more than the set difference (acceptable temperature difference above the desired flow temperature). See also 'Delay'.

See Appendix "Parameter ID overview"

OFF: The related alarm function is not active.

Value: The alarm function is active if the actual temperature gets above the acceptable difference.



X = Time
 Y = Temperature
 # 1 # = Upper difference
 # 2 # = Desired flow temperature

MENU > Settings > Alarm

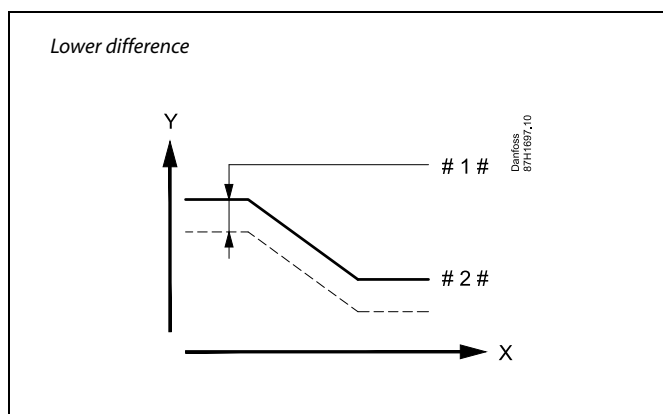
Lower difference 1x148

The alarm is activated if the actual flow temperature decreases more than the set difference (acceptable temperature difference below the desired flow temperature). See also 'Delay'.

See Appendix "Parameter ID overview"

OFF: The related alarm function is not active.

Value: The alarm function is active if the actual temperature gets below the acceptable difference.



X = Time
 Y = Temperature
 # 1 # = Lower difference
 # 2 # = Desired flow temperature

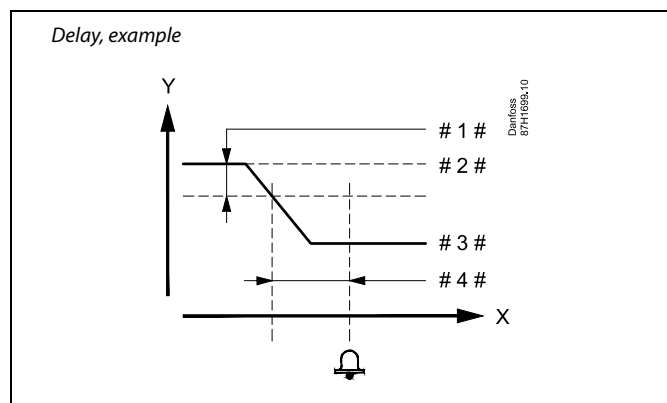
Operating Guide ECL Comfort 310, application A368

MENU > Settings > Alarm

| | |
|---|--------------|
| Delay, example | 1x149 |
| If an alarm condition from either 'Upper difference' or 'Lower difference' is present for a longer time than the set delay (in minutes), the alarm function is activated. | |

See Appendix "Parameter ID overview"

Value: The alarm function will be activated if the alarm condition remains after the set delay.



- X = Time
- Y = Temperature
- # 1 # = Lower difference
- # 2 # = Desired flow temperature
- # 3 # = Actual flow temperature
- # 4 # = Delay (ID 1x149)

MENU > Settings > Alarm

| | |
|---|--------------|
| Lowest temp. | 1x150 |
| The alarm function will not be activated if the desired flow temperature is lower than the set value. | |

See Appendix "Parameter ID overview"

If the cause of the alarm disappears, the alarm indication and output also disappear.

Clear alarm

If an alarm has been generated, a bell is shown in one of the favorite display (see 'Monitoring temperatures and system components') or in an overview display (see 'Understanding the controller display'). The following menus are used to locate the alarm cause and reset (clear) the alarm signal. Even when the cause of the alarm has disappeared, the indication will still be active until the clear alarm procedure has been carried out.

MENU > Settings > Alarm

| | |
|--|--------------|
| Circ. pumps | 1x315 |
| Choose whether the alarm should be cleared or not. | |

See Appendix "Parameter ID overview"

OFF: The alarm has not been activated.

ON: The alarm has been activated.

Clear alarm procedure:

If the status is 'ON': Change 'ON' to 'OFF'.

If the status is 'OFF': It is not possible to change it to 'ON'.

Operating Guide ECL Comfort 310, application A368

MENU > Settings > Alarm

| | |
|---|--------------|
| Refill water | 1x324 |
| <i>Choose whether the alarm should be cleared or not.</i> | |

See Appendix "Parameter ID overview"

OFF: The alarm has not been activated.

ON: The alarm has been activated.

Clear alarm procedure:

If the status is 'ON': Change 'ON' to 'OFF'.

If the status is 'OFF': It is not possible to change it to 'ON'.

5.13 Alarm overview

MENU > Alarm > Alarm overview

This menu shows the alarm types, for example:

- "2: Temp. monitor"
- "32: T sensor defect"

The alarm has been activated if the alarm symbol (a bell) (🔔) is present to the right of the alarm type.



Resetting an alarm, in general:

MENU > Alarm > Alarm overview:
Look for alarm symbol in specific line.

(Example: "2: Temp. monitor")
Move cursor to the line in question.
Push dial.



Alarm overview:

Alarm sources are listed in this overview menu.

Some examples:
"2: Temp. monitor"
"5: Pump 1"
"10: Digital S12"
"32: T sensor defect"

Related to the examples, the numbers 2, 5 and 10 are used in the alarm communication to the BMS / SCADA system.

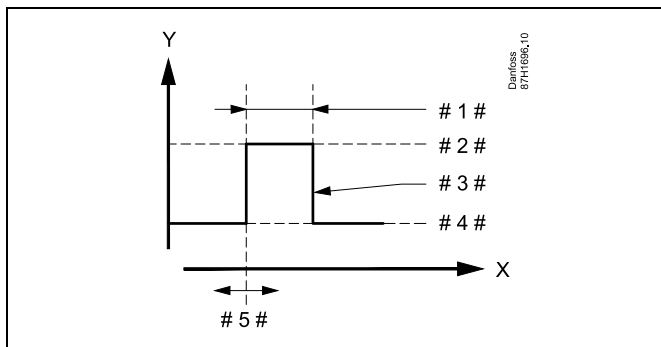
Related to the examples, "Temp. monitor", "Pump 1" and "Digital S12" are the alarm points.

Related to the examples, "32: T sensor defect" indicates the monitoring of connected sensors.

Alarm numbers and alarm points might differ depending on actual application.


5.14 Anti-bacteria

On selected days during the week the DHW temperature can be increased in order to neutralize bacteria in the DHW system. The desired DHW temperature 'Desired T' (typically 80 °C) will be present for the selected day(s) and duration. The anti-bacteria function is not active in frost protection mode.



- X = Time
- Y = Desired DHW temperature
- # 1 # = Duration
- # 2 # = Desired Anti-bacteria temperature value
- # 3 # = Desired Anti-bacteria temperature
- # 4 # = Desired DHW temperature value
- # 5 # = Start time



 During the anti-bacteria process, the return temperature limitation is not active.

MENU > Settings > Anti-bacteria

| |
|---|
| Day |
| Select (mark) the day(s) of the week where the anti-bacteria function must be active. |

- M = Monday
- T = Tuesday
- W = Wednesday
- T = Thursday
- F = Friday
- S = Saturday
- S = Sunday

Operating Guide ECL Comfort 310, application A368

MENU > Settings > Anti-bacteria

| |
|---|
| Start time |
| <i>Set the start time for the anti-bacteria function.</i> |

MENU > Settings > Anti-bacteria

| |
|---|
| Duration |
| <i>Set the duration (minutes) for the anti-bacteria function.</i> |

MENU > Settings > Anti-bacteria

| |
|--|
| Desired T |
| <i>Set the desired DHW temperature for the anti-bacteria function.</i> |

See Appendix "Parameter ID overview"

OFF: The anti-bacteria function is not active.

Value: Desired DHW temperature during the anti-bacteria function period.

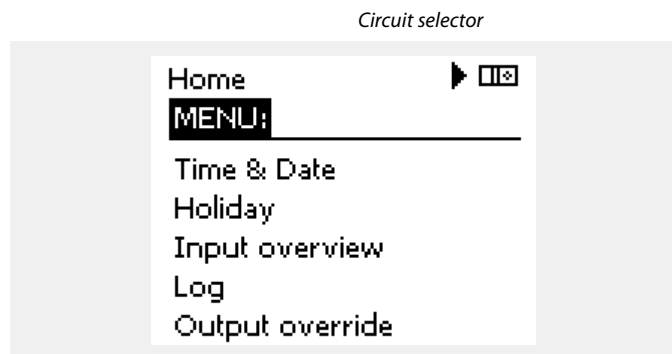
6.0 Common controller settings

6.1 Introduction to 'Common controller settings'

Some general settings which apply to the entire controller are located in a specific part of the controller.

To enter 'Common controller settings':

| Action: | Purpose: | Examples: |
|---------|--|-----------|
| | Choose 'MENU' in any circuit | MENU |
| | Confirm | |
| | Choose the circuit selector at the top right corner in the display | |
| | Confirm | |
| | Choose 'Common controller settings' | |
| | Confirm | |



Operating Guide ECL Comfort 310, application A368

6.2 Time & Date

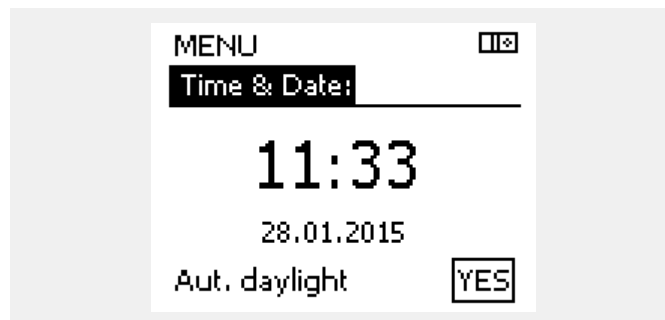
It is only necessary to set the correct date and time in connection with the first use of the ECL Comfort controller or after a power break of more than 72 hours.

The controller has a 24 hour clock.

Aut. daylight (Daylight saving time changeover)

YES: The controller's built-in clock automatically changes + / - one hour on the standardized days for daylight saving time changeover for Central Europe.

NO: You change manually between summer and winter time by setting the clock backward or forward.



When controllers are connected as slaves in a master / slave system (via ECL 485 communication bus), they will receive 'Time & Date' from the master.

How to set time and date:

| Action: | Purpose: | Examples: |
|---------|--|-----------|
| | Choose 'MENU' | MENU |
| | Confirm | |
| | Choose the circuit selector at the top right corner in the display | |
| | Confirm | |
| | Choose 'Common controller settings' | |
| | Confirm | |
| | Go to 'Time & Date' | |
| | Confirm | |
| | Place the cursor at the position to be changed | |
| | Confirm | |
| | Enter the desired value | |
| | Confirm | |
| | Move the cursor to the next position to be changed. Continue until 'Time & Date' has been set. | |
| | Finally move the cursor to 'MENU' | |
| | Confirm | |
| | Move the cursor to 'HOME' | |
| | Confirm | |

Operating Guide ECL Comfort 310, application A368

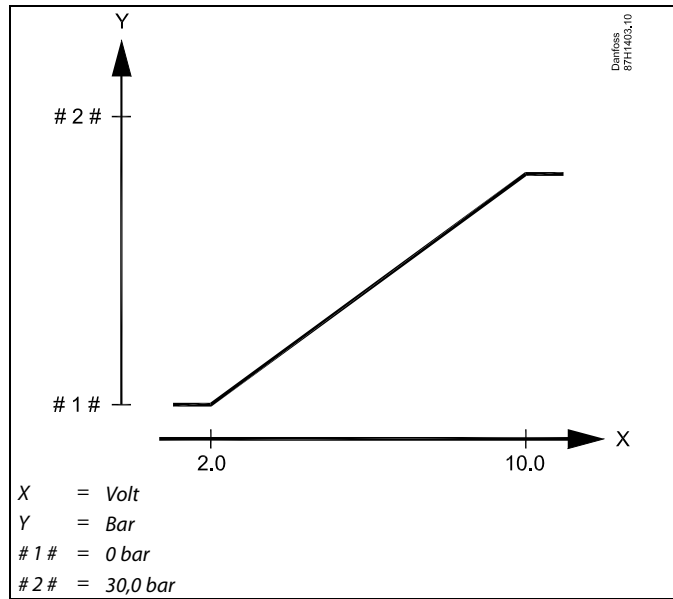
6.3 Settings

Pressure measuring

| | S11 | S12 | S13 | S14 | S15 | S16 |
|--------|-----|-----|-----|-----|-----|-----|
| A368.1 | | | | | | |
| A368.2 | | | | | | |
| A368.3 | ✓ | | ✓ | ✓ | ✓ | ✓ |
| A368.4 | ✓ | | ✓ | ✓ | ✓ | ✓ |
| A368.5 | | | | ✓ | ✓ | ✓ |
| A368.6 | | | | | | |

MENU > Common controller settings > Settings

| S11, S13 ... S16 press. sensor | | |
|--------------------------------|----------------------|-----------------|
| Circuit | Setting range | Factory setting |
| | Read-out only | |

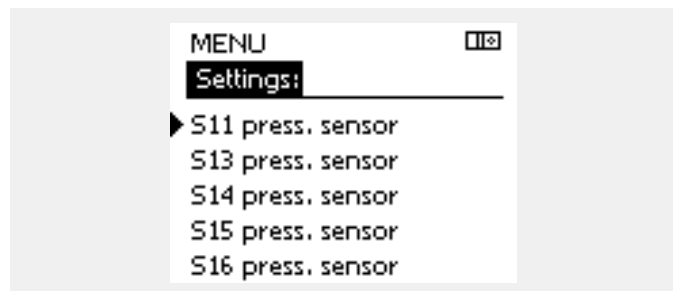


The pressure is measured by means of a pressure transmitter. The transmitter sends the measured pressure as a 0-10 V or a 4-20 mA signal. The voltage signal can be applied directly to the input in question. A current signal is converted by means of a resistor to a voltage and then applied to the input. The measured voltage must be converted to a pressure value by the controller.

The following procedure sets up the scaling:
 Push the dial to see the graph and enter the value sets for the input voltage (2 and 10 volt) and displayed pressure (in bar).

Pressure: 0.0 ... 30.0 bar
 Fixed voltage settings: 2 V and 10 V
 Factory settings: (2.0,0) and (10,20.0)
 This means that the 'Pressure' is 0.0 bar at 2 V and 20.0 bar at 10 V.

Typically, the higher the voltage, the higher the displayed pressure.



Operating Guide ECL Comfort 310, application A368

6.4 Holiday

This section describes the function in general for the ECL Comfort 210 / 296 / 310 series. The shown displays are typical and not application related. They might differ from the displays in your application.

There is a holiday program for each circuit and a holiday program for the common controller.

Each holiday program contains one or more schedules. Each schedule can be set to a start date and an end date. The set period starts on the start date at 00.00 and stops on the end date at 00.00.

Selectable modes are Comfort, Saving, Frost protection or Comfort 7-23 (before 7 and after 23, the mode is scheduled).

How to set your holiday schedule:

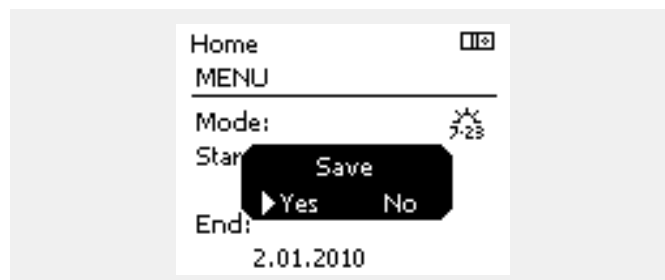
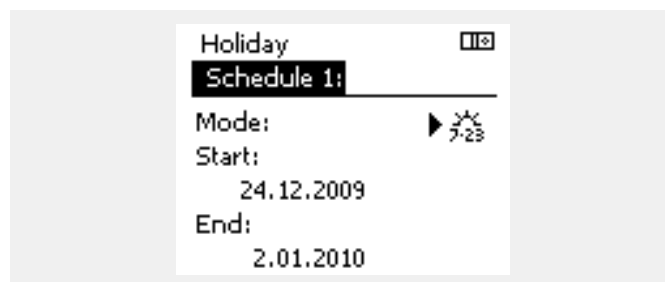
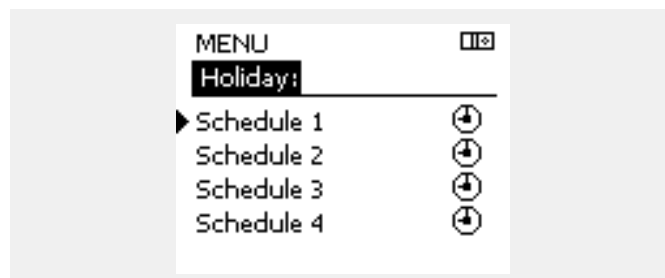
| Action: | Purpose: | Examples: |
|---------|---|-----------|
| | Choose 'MENU' | MENU |
| | Confirm | |
| | Choose the circuit selector at the top right corner in the display | |
| | Confirm | |
| | Choose a circuit or 'Common controller settings' | |
| | Heating | |
| | DHW | |
| | Common controller settings | |
| | Confirm | |
| | Go to 'Holiday' | |
| | Confirm | |
| | Choose a schedule | |
| | Confirm | |
| | Confirm choice of mode selector | |
| | Choose mode | |
| | · Comfort | |
| | · Comfort 7-23 | |
| | · Saving | |
| | · Frost protection | |
| | Confirm | |
| | Enter the start time first and then the end time | |
| | Confirm | |
| | Go to 'Menu' | |
| | Confirm | |
| | Choose 'Yes' or 'No' in 'Save'. Choose the next schedule, if required | |



The holiday program in the 'Common controller settings' is valid for all circuits. The holiday program can also be set individually in the heating or DHW circuits.



The end date must be at least be one day later than the start date.



Operating Guide ECL Comfort 310, application A368

Holiday, specific circuit / Common Controller

When setting one holiday program in specific circuit and another holiday program in Common Controller, a priority will be taken into account:





1. Comfort
2. Comfort 7 - 23
3. Saving
4. Frost protection

Holiday, deleting a set period:

- Choose the Schedule in question
- Change the mode to "Clock"
- Confirm

The ECA 30 / 31 cannot override the holiday schedule of the controller temporarily.

However, it is possible to make use of the following options from the ECA 30 / 31 when the controller is in scheduled mode:

-  Day off
-  Holiday
-  Relaxing (extended comfort period)
-  Going out (extended saving period)

Example 1:

Circuit 1:
Holiday set to "Saving"

Common Controller:
Holiday set to "Comfort"

Result:
As long as "Comfort" is active in Common Controller, circuit 1 will be in "Comfort".

Example 2:

Circuit 1:
Holiday set to "Comfort"

Common Controller:
Holiday set to "Saving"

Result:
As long as "Comfort" is active in circuit 1, it will be in "Comfort".

Example 3:

Circuit 1:
Holiday set to "Frost protection"

Common Controller:
Holiday set to "Saving"

Result:
As long as "Saving" is active in Common Controller, circuit 1 will be in "Saving".



Energy-saving trick:
Use 'Going out' (the extended saving period) for airing purposes (e.g. for ventilating the rooms by means of fresh air from open windows).



Connections and setup procedures for ECA 30 / 31:
See section 'Miscellaneous'.



Quick guide "ECA 30 / 31 to override mode":

1. Go to ECA MENU
2. Move cursor to "Clock" symbol
3. Select the "Clock" symbol
4. Choose and select one of 4 override functions
5. Below the override symbol: Set hours or date
6. Below hours / date: Set desired room temperature for the override period

Operating Guide ECL Comfort 310, application A368

6.5 Input overview

This section describes the function in general for the ECL Comfort 210 / 296 / 310 series. The shown displays are typical and not application related. They might differ from the displays in your application.

The input overview is located in the common controller settings.

This overview will always show you the actual temperatures in the system (read-only).

| MENU □ ⊗ | |
|---|---------|
| Input overview: | |
| ▶ Outdoor T | 7.0 °C |
| Outdoor acc. T | 5.8 °C |
| Heat return T | 35.5 °C |
| Heat flow T | 67.9 °C |
| DHW flow T | 68.6 °C |



"Outdoor acc. T" means "Accumulated outdoor temperature" and is a calculated value in the ECL Comfort controller.

Operating Guide ECL Comfort 310, application A368

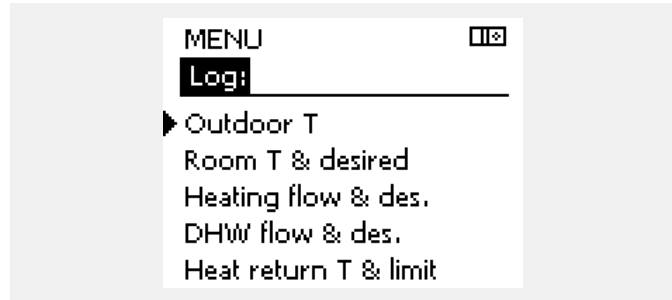
6.6 Log

This section describes the function in general for the ECL Comfort 210 / 296 / 310 series. The shown displays are typical and not application related. They might differ from the displays in your application.

The log function (temperature history) allows you to monitor the logs of today, yesterday, the past 2 days as well as the past 4 days for the connected sensors.

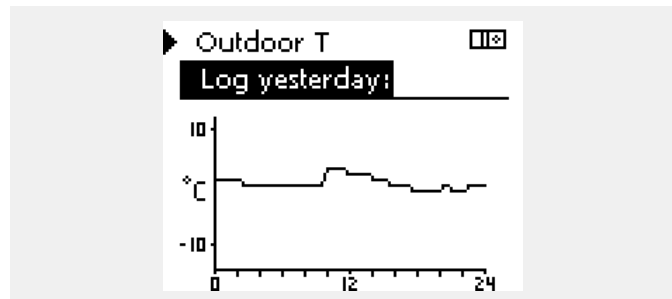
There is a log display for the relevant sensor, showing the measured temperature.

The log function is only available in the 'Common controller settings'.



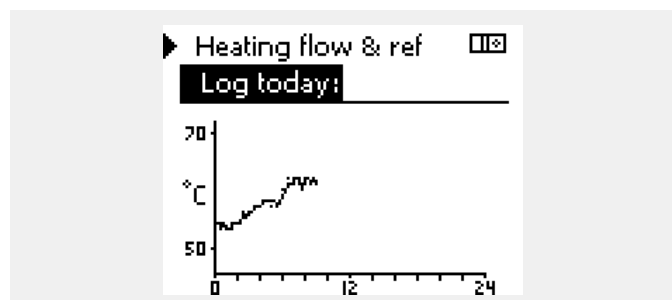
Example 1:

1 day log for yesterday showing the development in outdoor temperature during the past 24 hours.



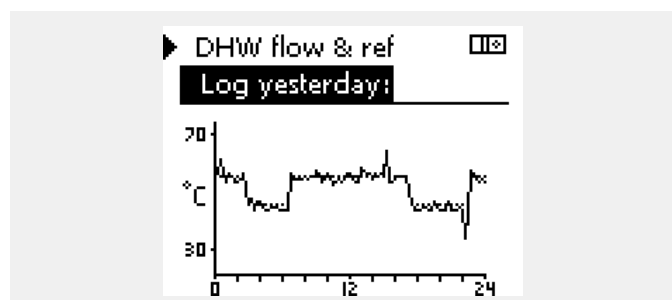
Example 2:

Today's log for the actual heating flow temperature as well as the desired temperature.



Example 3:

Yesterday's log for the DHW flow temperature as well as the desired temperature.



Operating Guide ECL Comfort 310, application A368

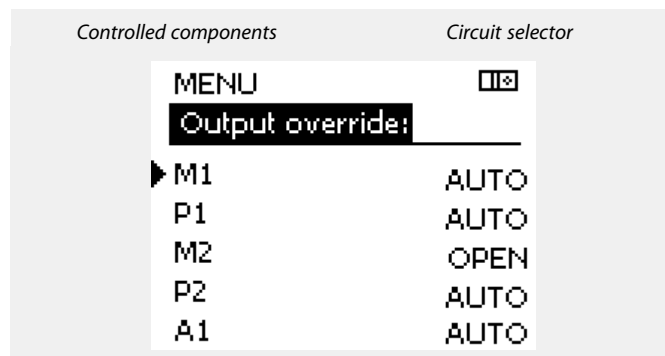
6.7 Output override

This section describes the function in general for the ECL Comfort 210 / 296 / 310 series. The shown displays are typical and not application related. They might differ from the displays in your application.

The output override is used to disable one or more of the controlled components. This could among others be useful in a service situation.

| Action: | Purpose: | Examples: |
|---------|---|-------------|
| | Choose 'MENU' in any of the overview displays | MENU |
| | Confirm | |
| | Choose the circuit selector at the top right corner in the display | |
| | Confirm | |
| | Choose common controller settings | |
| | Confirm | |
| | Choose 'Output override' | |
| | Confirm | |
| | Choose a controlled component | M1, P1 etc. |
| | Confirm | |
| | Adjust the status of the controlled component: Motorized control valve: AUTO, STOP, CLOSE, OPEN Pump: AUTO, OFF, ON | |
| | Confirm status change | |

Remember to change the status back again as soon as an override is not required any longer.



"Manual control" has higher priority than "Output override".



When the selected controlled component (output) is not 'AUTO', the ECL Comfort controller does not control the component in question (pump or motorized control valve e.g.). Frost protection is not active.



When output override of a controlled component is active the symbol '!' is shown to the right of the mode indicator in the enduser displays.

Operating Guide ECL Comfort 310, application A368

6.8 Alarm

6.8.1 Digital S9 / S12

Alarm inputs

| | S9 | S12 |
|--------|----|-----|
| A368.1 | ✓ | |
| A368.2 | ✓ | |
| A368.3 | ✓ | ✓ |
| A368.4 | ✓ | ✓ |
| A368.5 | ✓ | ✓ |
| A368.6 | ✓ | |

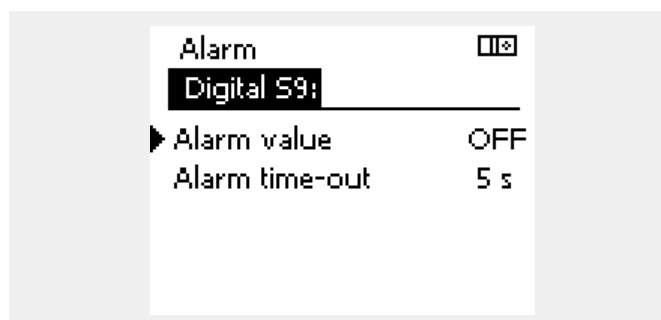
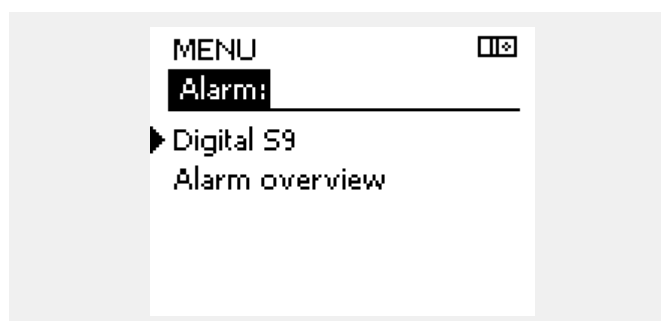
Alarm settings related to 'Digital S9 / S12' input (dependent on application) are available in the 'Common controller settings' in 'Alarm'.

The alarm function activates A1 (relay 6).

The alarm relay can activate a lamp, a horn, an input to an alarm transmitting device etc.

The alarm relay is activated as long as the alarm reason related to S9 / S12 is present (automatic reset).

The description is universal for S9 and S12.



MENU > Common controller > Alarm > Digital S9

| Alarm value | | 10656 |
|--|---------------|-----------------|
| Circuit | Setting range | Factory setting |
| <input type="checkbox"/> | OFF / ON | OFF |
| Setting of function related to the alarm input S9. | | |

OFF: The alarm is activated when the connected contact to S9 is closed.

ON: The alarm is activated when the connected contact to S9 is opened.

MENU > Common controller > Alarm > Digital S9

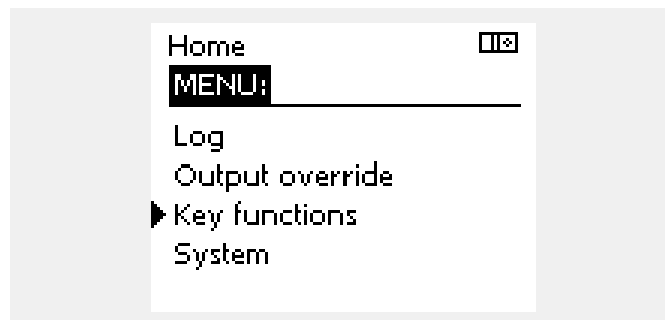
| Alarm time-out | | 10657 |
|---|---------------|-----------------|
| Circuit | Setting range | Factory setting |
| <input type="checkbox"/> | 0 ... 240 s | 5 s |
| Setting of the time (seconds) between alarm cause and alarm signal. | | |

0 ... 240: A cause for S9 alarm will activate the alarm signal after the set number of seconds.

Operating Guide ECL Comfort 310, application A368

6.9 Key functions

| | |
|------------------------|--|
| New application | <p>Erase application: Removes the existing application. As soon as the ECL key is inserted, another application can be chosen.</p> |
| Application | <p>Gives an overview over the actual application in the ECL controller. Push the dial again to exit the overview.</p> |
| Factory setting | <p>System settings: System settings are, among others, communication set-up, display brightness etc.</p> <p>User settings: User settings are, among others, desired room temperature, desired DHW temperature, schedules, heat curve, limitation values etc.</p> <p>Go to factory: Restores the factory settings.</p> |
| Copy | <p>To: Copy direction</p> <p>System settings</p> <p>User settings</p> <p>Start copying</p> |
| Key overview | <p>Gives an overview over the inserted ECL key. (Example: A266 Ver. 2.30). Turn the dial to see the subtypes. Push the dial again to exit the overview.</p> |



A more detailed description of how to use the individual 'Key functions' can also be seen in 'Inserting the ECL application key'.



The "Key overview" does not inform — through ECA 30 / 31 — about the subtypes of the application key.



Key inserted / not inserted, description:

ECL Comfort 210 / 310, controller versions lower than 1.36:

- Take out the application key; for 20 minutes settings can be changed.
- Power up the controller **without** the application key inserted; for 20 minutes settings can be changed.

ECL Comfort 210 / 310, controller versions 1.36 and up:

- Take out the application key; for 20 minutes settings can be changed.
- Power up the controller **without** the application key inserted; settings cannot be changed.

ECL Comfort 296 , controller versions 1.58 and up:

- Take out the application key; for 20 minutes settings can be changed.
- Power up the controller **without** the application key inserted; settings cannot be changed.

Operating Guide ECL Comfort 310, application A368

6.10 System

6.10.1 ECL version

In 'ECL version' you will always be able to find an overview of the data related to your electronic controller.

Please have this information available if you need to contact your Danfoss sales organization concerning the controller.

Information about your ECL Application Key can be found in 'Key functions' and 'Key overview'.

| | |
|-------------------------|--|
| Code no.: | The Danfoss sales and order no. for the controller |
| Hardware: | Hardware version of the controller |
| Software: | Software (firmware) version of the controller |
| Serial no.: | Unique number for the individual controller |
| Production week: | Week no. and year (WW.YYYY) |

Example, ECL version

| | |
|--|----------|
| System ☐☒ | |
| ECL version: | |
| ▶ Code no. | 087H3040 |
| Hardware | B |
| Software | 10.50 |
| Build no. | 7475 |
| Serial no. | 5335 |

6.10.2 Extension

ECL Comfort 310 / 310B:
 'Extension' will offer you information about additional modules, if any. An example could be the ECA 32 module.

6.10.3 Ethernet

ECL Comfort 296 / 310 / 310B have a Modbus/TCP communication interface that allows the ECL controller to be connected to an Ethernet network. This allows remote access to the ECL 296 / 310 / 310B controller based on standard communication infrastructures.

In 'Ethernet' it is possible to set up the required IP addresses.

6.10.4 Portal config

ECL Comfort 296 / 310 / 310B have a Modbus/TCP communication interface that allows the ECL controller to be monitored and controlled via the ECL Portal.

ECL Portal related parameters are set here.

Documentation for ECL Portal: See <https://ecl.portal.danfoss.com>

6.10.5 M-bus config

ECL Comfort 296 / 310 / 310B have an M-bus communication interface that allows energy meters to be connected as slaves.

M-bus related parameters are set here.

Operating Guide ECL Comfort 310, application A368

6.10.6 Energy meter and M-bus, general information

ECL Comfort 296 / 310 / 310B only

When using the Application Key in the ECL Comfort 296 / 310 / 310B, up to 5 energy meters can be connected to the M-bus connections.

Connection of energy meter can:

- limit the flow
- limit the power
- transfer energy meter data to the ECL Portal, via Ethernet, and / or a SCADA system, via Modbus.

Many applications with control of heating, DHW or cooling circuit have the possibility to react on energy meter data.

To verify if actual application key can be set to react on energy meter data:

See Circuit > MENU > Settings > Flow / power.

The ECL Comfort 296 / 310 / 310B can always be used for monitoring purpose of up to 5 energy meters.

The ECL Comfort 296 / 310 / 310B act as an M-bus master and must be set to communicate with connected energy meter(s).

See MENU > Common controller > System > M-bus config.

Technical info:

- The M-bus data are based on standard EN-1434.
- Danfoss recommends AC supplied energy meters in order to avoid battery draining.

MENU > Common controller > System > M-bus config.

| State | | Read-out |
|--|---------------|-----------------|
| Circuit | Setting range | Factory setting |
| - | - | - |
| <i>Information about the current M-bus activity.</i> | | |

IDLE: Normal state

INIT: The command for initialization has been activated

SCAN: The command for scanning has been activated

GATEW: The command Gateway has been activated

MENU > Common controller > System > M-bus config.

| Baud (bits per second) | | 5997 |
|--|-------------------------|-----------------|
| Circuit | Setting range | Factory setting |
| - | 300 / 600 / 1200 / 2400 | 300 |
| <i>The communication speed between ECL Comfort 296 / 310 / 310B and the connected energy meter(s).</i> | | |



Energy meter data acquisition from ECL Portal is possible without setting up the M-bus configuration.



The ECL Comfort 296 / 310 / 310B will return to IDLE when commands have been completed.
Gateway is used for read-out of energy meter via ECL Portal.



Typically, 300 or 2400 baud is used.
If ECL Comfort 296 / 310 / 310B are connected to the ECL Portal, a baud rate of 2400 is recommendable, provided the energy meter allows this.

Operating Guide ECL Comfort 310, application A368

MENU > Common controller > System > M-bus config.

| Command | | 5998 |
|---------|----------------------------|-----------------|
| Circuit | Setting range | Factory setting |
| - | NONE / INIT / SCAN / GATEW | NONE |

The ECL Comfort 296 / 310 / 310B are M-bus masters. In order to verify connected energy meters, different commands can be activated.

NONE: No command activated

INIT: Initialization is activated

SCAN: Scanning is activated in order to search for connected energy meters. The ECL Comfort 296 / 310 / 310B detect the M-bus addresses of up to 5 connected energy meters and place these automatically in the "Energy meters" section. The verified address is placed after "Energy meter 1 (2, 3, 4, 5)"

GATEW: The ECL Comfort 296 / 310 / 310B act as a gateway between energy meters and ECL Portal. Used only for service.



Scan time can take up to 12 minutes.
When all energy meters are found, the command can be changed to INIT or NONE.

MENU > Common controller > System > M-bus config.

| M-bus address Energy meter 1 (2, 3, 4, 5) | | 6000 |
|--|---------------|-----------------|
| Circuit | Setting range | Factory setting |
| - | 0 - 255 | 255 |

The set or verified address of energy meter 1 (2, 3, 4, 5).

0: Normally not used

1 - 250: Valid M-bus addresses

251 - 254: Special functions. Use only M-bus address 254 when one energy meter is connected.

255: Not used

MENU > Common controller > System > M-bus config.

| Type Energy meter 1 (2, 3, 4, 5) | | 6001 |
|-------------------------------------|---------------|-----------------|
| Circuit | Setting range | Factory setting |
| - | 0 - 4 | 0 |

Selecting data range from the M-bus telegram..

0: Small data set, small units

1: Small data set, large units

2: Large data set, small units

3: Large data set, large units

4: Volume and energy data only
(example: HydroPort Pulse)



Data examples:

0:
Flow temp., return temp., flow, power, acc. volume, acc. energy.

3:
Flow temp., return temp., flow, power, acc. volume, acc. energy, tariff 1, tariff 2.

See also the "Instructions, ECL Comfort 210 / 310, communication description" for further details.

See also Appendix for detailed description of "Type".

Operating Guide ECL Comfort 310, application A368

MENU > Common controller > System > M-bus config.

| Scan time | | 6002 |
|--|---------------|-----------------|
| Energy meter 1 (2, 3, 4, 5) | | |
| Circuit | Setting range | Factory setting |
| - | 1 - 3600 sec | 60 sec |
| Setting the scanning time for acquiring data of connected energy meter(s). | | |



If the energy meter is battery powered, the scan time should be set to a high value to prevent a too fast battery draining. Oppositely, if the flow / power limitation function is used in the ECL Comfort 310, the scan time should be set to a low value in order to have quick limitation.

MENU > Common controller > System > M-bus config.

| ID | | Read-out |
|---|---------------|-----------------|
| Energy meter 1 (2, 3, 4, 5) | | |
| Circuit | Setting range | Factory setting |
| - | - | - |
| Information about the energy meter's serial no. | | |

MENU > Common controller > System > Energy meters

| Energy meter 1 (2, 3, 4, 5) | | Read-out |
|---|---------------|-----------------|
| Circuit | Setting range | Factory setting |
| - | 0 - 4 | 0 |
| Information from actual energy meter about, for example, ID, temperatures, flow / volume, power / energy. The shown information depends on the settings made in the "M-bus config." menu. | | |

6.10.7 Raw input overview

Measured temperatures, input status and voltages are displayed.

In addition, a detection of malfunctions can be chosen for activated temperature inputs.

Monitoring the sensors:

Choose the sensor which measures a temperature, for example the S5. When the dial is pressed, a magnifying glass appears in the selected line. The S5 temperature is now being monitored.

Alarm indication:

Should the connection to the temperature sensor be disconnected, short-circuited or the sensor itself be defective, the alarm function is activated.

In the "Raw input overview" an alarm symbol is shown at the defective temperature sensor in question.

Resetting the alarm:

Choose the sensor (S number) for which you want to clear the alarm. Press the dial. The magnifying glass and alarm symbols disappear.

When the dial is pressed again, the monitoring function is reactivated.



The temperature sensor inputs have a measuring range from -60 ... 150 °C.

If a temperature sensor or its connection breaks, the value indication is "--".

If a temperature sensor or its connection is short-circuited, the value indication is "---".

Operating Guide ECL Comfort 310, application A368

6.10.8 Sensor offset (new functionality as from firmware 1.59)

The measured temperature can be offset adjusted in order to compensate for cable resistance or a not-optimum place for the temperature sensor. The adjusted temperature can be seen in "Raw input overview" and "Input overview".

Common controller > System > Sensor offset

| Sensor 1 . . . (temperature sensor) | | |
|---|---------------|-----------------|
| Circuit | Setting range | Factory setting |
| □□○ | * | * |
| Setting the offset of the measured temperature. | | |

Positive offset value: The temperature value is increased

Negative offset value:

The temperature value is decreased

offset value:

6.10.9 Display

| Backlight (display brightness) | | 60058 |
|---------------------------------------|---------------|-----------------|
| Circuit | Setting range | Factory setting |
| □□○ | 0 ... 10 | 5 |
| Adjust the brightness of the display. | | |

0: Weak backlight.

10: Strong backlight.

| Contrast (display contrast) | | 60059 |
|-------------------------------------|---------------|-----------------|
| Circuit | Setting range | Factory setting |
| □□○ | 0 ... 10 | 3 |
| Adjust the contrast of the display. | | |

0: Low contrast.


10: High contrast.

6.10.10 Communication

| Modbus addr. | | 38 |
|---|---------------|-----------------|
| Circuit | Setting range | Factory setting |
| □□○ | 1 ... 247 | 1 |
| Set the Modbus address if the controller is part of a Modbus network. | | |

1 ... 247: Assign the Modbus address within the stated setting range.

Operating Guide ECL Comfort 310, application A368

| ECL 485 addr. (master / slave address) | | 2048 |
|---|---------------|-----------------|
| Circuit | Setting range | Factory setting |
|  | 0 ... 15 | 15 |


This setting is relevant if more controllers are working in the same ECL Comfort system (connected via the ECL 485 communication bus) and / or Remote Control Units (ECA 30 / 31) are connected.

- 0:** The controller works as slave.
The slave receives information about the outdoor temperature (S1), system time, and signal for DHW demand in the master.
- 1 ... 9:** The controller works as slave.
The slave receives information about the outdoor temperature (S1), system time, and signal for DHW demand in the master. The slave sends information about the desired flow temperature to the master.
- 10 ... 14:** Reserved.
- 15:** The ECL 485 communication bus is active.
The controller is master. The master sends information about the outdoor temperature (S1) and system time. Connected Remote Control Units (ECA 30 / 31) are powered.

The ECL Comfort controllers can be connected via the ECL 485 communication bus to perform a larger system (the ECL 485 communication bus can connect to max. 16 devices).


Each slave must be configured with its own address (1 ... 9).

However, more slaves can have the address 0 if they only have to receive information about outdoor temperature and system time (listeners).

| Service Pin | | 2150 |
|---|---------------|-----------------|
| Circuit | Setting range | Factory setting |
|  | 0 / 1 | 0 |

This setting is only used in connection with set-up of Modbus communication.

Not applicable for the time being and reserved for future use!

| Ext. reset | | 2151 |
|---|---------------|-----------------|
| Circuit | Setting range | Factory setting |
|  | 0 / 1 | 0 |

This setting is only used in connection with set-up of Modbus communication.

- 0:** Reset not activated.
- 1:** Reset.



The total cable length of max. 200 m (all devices incl. the internal ECL 485 communication bus) should not be exceeded.
Cable lengths of more than 200 m may cause noise sensibility (EMC).



In a system with MASTER / SLAVE controllers, only one MASTER controller with address 15 is allowed.

If by mistake more MASTER controllers are present in an ECL 485 communication bus system, decide which controller is to be MASTER. Change the address in the remaining controllers. However, the system will operate but not be stable with more than one MASTER controller.



In the MASTER controller, the address in 'ECL 485 addr. (master / slave address)', ID no. 2048, must always be 15.

Operating Guide ECL Comfort 310, application A368

6.10.11 Language

| Language | | 2050 |
|------------------------------|----------------------|------------------------|
| <i>Circuit</i> | <i>Setting range</i> | <i>Factory setting</i> |
| <input type="checkbox"/> | English / 'Local' | English |
| <i>Choose your language.</i> | | |



Local language is selected during installation. If you want to change to another local language, the application must be reinstalled. However, it is always possible to change between the local language and English.

Operating Guide ECL Comfort 310, application A368

7.0 Miscellaneous

7.1 ECA 30 / 31 setup procedures

ECA 30 (code no. 087H3200) is a remote control unit with built-in room temperature sensor.

ECA 31 (code no. 087H3201) is a remote control unit with built-in room temperature sensor and humidity sensor (relative humidity).

An external room temperature sensor can be connected to both types to substitute the built-in sensor.

An external room temperature sensor will be recognized at ECA 30 / 31 power-up.

Connections: See the section 'Electrical connections'.

Max. two ECA 30 / 31 can be connected to one ECL controller or a system (master-slave) consisting of several ECL controllers connected on the same ECL 485 bus. In the master-slave system only one of the ECL controllers is master. The ECA 30 / 31 can, among others, be set to:

- monitor and set the ECL controller remotely
- measure the room temperature and (ECA 31) humidity
- extend comfort / saving period temporarily

After application upload in the ECL Comfort controller, the remote control unit ECA 30 / 31 will after approx. one minute ask to 'Copy application'.

Confirm this in order to upload the application to the ECA 30 / 31.

Menu structure

The menu structure of ECA 30 / 31 is an "ECA MENU" and the ECL menu, copied from the ECL Comfort controller.

The ECA MENU contains:

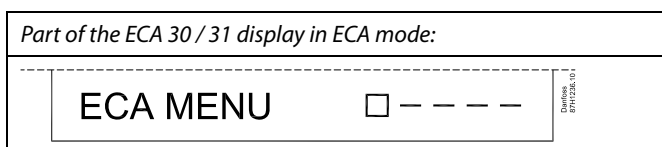
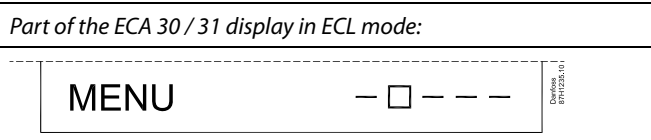
- ECA settings
- ECA system
- ECA factory

ECA settings: Offset adjustment of the measured room temperature.

Offset adjustment of relative humidity (ECA 31 only).

ECA system: Display, communication, override settings and version info.

ECA factory: Erase of all applications in the ECA 30 / 31, restore to factory settings, reset of ECL address and firmware update.



If only the "ECA MENU" is shown, it can indicate that the ECA 30 / 31 is not having correct communication address.
See ECA MENU > ECA system > ECA communication: ECL address.
In most cases the ECL address setting must be "15".



Regarding ECA settings:
When ECA 30 / 31 is not used as remote unit, the offset adjustments menu(s) are not present.

Operating Guide ECL Comfort 310, application A368

The ECL menus are as described for the ECL controller.

Most of the settings done directly in the ECL controller can be done via the ECA 30 / 31 too.

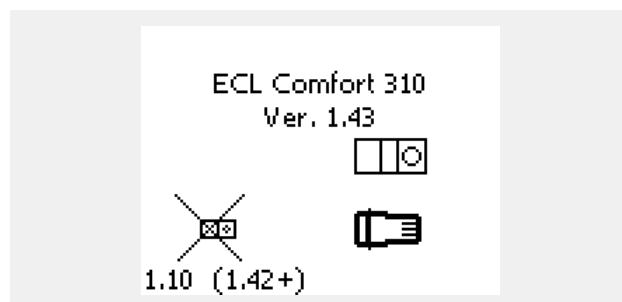


All settings can be seen even if the application key is not inserted in the ECL controller.
For changing settings, the application key must be inserted.

The Key overview (MENU > 'Common controller settings' > 'Key functions') does not show the applications of the key.



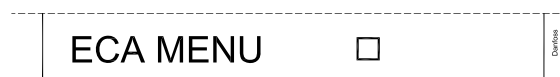
The ECA 30 / 31 will display this information (an X on the ECA 30 / 31 symbol) if the application in the ECL controller does not comply with the ECA 30 / 31:



In the example 1.10 is current version and 1.42 is desired version.



Display part of ECA 30 / 31:



This display indicates that an application has not been uploaded or the communication to the ECL controller (master) is not working properly. An X on the ECL controller symbol indicates wrong setup of communication addresses.



Display part of ECA 30 / 31:



Newer versions of ECA 30 / 31 indicate the address number of the connected ECL Comfort controller.

Address number can be changed in the ECA MENU.

A stand-alone ECL Controller has the address 15.

Operating Guide ECL Comfort 310, application A368

When ECA 30 / 31 is in ECA MENU mode, the date and measured room temperature is displayed.

ECA MENU > ECA settings > ECA sensor

| Room T Offset | |
|--|-----------------|
| Setting range | Factory setting |
| -10.0 ... 10.0 K | 0.0 K |
| <i>The measured room temperature can be corrected with a number of Kelvin. The corrected value is used by the heating circuit in the ECL controller.</i> | |

Minus value: The indicated room temperature is lower.

0.0 K: No correction of the measured room temperature.

Plus value: The indicated room temperature is higher.

| Example: | |
|-----------------------------|---------|
| Room T offset: | 0.0 K |
| Displayed room temperature: | 21.9 °C |
| Room T offset: | 1.5 K |
| Displayed room temperature: | 23.4 °C |

ECA MENU > ECA settings > ECA sensor

| RH offset (ECA 31 only) | |
|---|-----------------|
| Setting range | Factory setting |
| -10.0 ... 10.0 % | 0.0 % |
| <i>The measured relative humidity can be corrected with a number of %-values. The corrected value is used by the application in the ECL controller.</i> | |

Minus value: The indicated relative humidity is lower.

0.0 %: No correction of the measured relative humidity.

Plus value: The indicated relative humidity is higher.

| Example: | |
|------------------------------|--------|
| RH offset: | 0.0 % |
| Displayed relative humidity: | 43.4 % |
| RH offset: | 3.5 % |
| Displayed relative humidity: | 46.9 % |

ECA MENU > ECA system > ECA display

| Backlight (display brightness) | |
|--|-----------------|
| Setting range | Factory setting |
| 0 ... 10 | 5 |
| <i>Adjust the brightness of the display.</i> | |

0: Weak backlight.

10: Strong backlight.

Operating Guide ECL Comfort 310, application A368

ECA MENU > ECA system > ECA display

| Contrast (display contrast) | |
|--|-----------------|
| Setting range | Factory setting |
| 0 ... 10 | 3 |
| <i>Adjust the contrast of the display.</i> | |

- 0:** Low contrast.
10: High contrast.

ECA MENU > ECA system > ECA display

| Use as remote | |
|---|-----------------|
| Setting range | Factory setting |
| OFF / ON | *) |
| <i>ECA 30 / 31 can act as a simple or normal remote control for the ECL controller.</i> | |

- OFF:** Simple remote control, no room temperature signal.
ON: Remote control, room temperature signal is available.
***):** Differently, depending on chosen application.



When set to OFF: The ECA menu shows date and time.

When set to ON: The ECA menu shows date and room temperature (and for ECA 31 relative humidity).

ECA MENU > ECA system > ECA communication

| Slave addr. (Slave address) | |
|--|-----------------|
| Setting range | Factory setting |
| A / B | A |
| <i>The setting of 'Slave addr.' is related to the setting 'ECA address' in the ECL controller. In the ECL controller it is selected from which ECA 30 / 31 unit the room temperature signal is received.</i> | |

- A:** The ECA 30 / 31 has the address A.
B: The ECA 30 / 31 has the address B.



For installation of an application in an ECL Comfort 210 / 296 / 310 controller the 'Slave addr.' must be A.



If two ECA 30 / 31 are connected in the same ECL 485 bus system, the 'Slave addr.' must be "A" in the one ECA 30 / 31 unit and "B" in the other.

Operating Guide ECL Comfort 310, application A368

ECA MENU > ECA system > ECA communication

| Connection addr. (Connection address) | |
|--|-----------------|
| Setting range | Factory setting |
| 1 ... 9 / 15 | 15 |
| Setting of the address to which ECL controller the communication must run. | |

1 .. 9: Slave controllers.

15: Master controller.



An ECA 30 / 31 can in an ECL 485 bus system (master – slave) be set to communicate, one by one, with all addressed ECL controllers.



Example:

| | |
|------------------------|--|
| Connection addr. = 15: | The ECA 30 / 31 communicates with the ECL master controller. |
| Connection addr. = 2: | The ECA 30 / 31 communicates with the ECL controller with address 2. |



There must be a master controller present in order to broadcast time and date information.



An ECL Comfort controller 210 / 310, type B (without display and dial) cannot be assigned to the address 0 (zero).

ECA MENU > ECA system > ECA override

| Override addr. (Override address) | |
|---|-----------------|
| Setting range | Factory setting |
| OFF / 1 ... 9 / 15 | OFF |
| The feature 'Override' (to extended comfort or saving period or holiday) must be addressed to the ECL controller in question. | |

OFF: Override not possible.

1 .. 9: Address of slave controller for override.

15: Address of master controller for override.



| | | |
|---------------------|-------------------------|--|
| Override functions: | Extended saving mode: | |
| | Extended comfort mode: | |
| | Holiday away from home: | |
| | Holiday at home: | |



Override by means of settings in ECA 30 / 31 are cancelled if the ECL Comfort controller goes into holiday mode or is changed to another mode than scheduled mode.



The circuit in question for override in the ECL controller must be in scheduled mode.
See also the parameter 'Override circuit'.

Operating Guide ECL Comfort 310, application A368

ECA MENU > ECA system > ECA override

| Override circuit | |
|---|-----------------|
| Setting range | Factory setting |
| OFF / 1 ... 4 | OFF |
| <i>The feature 'Override' (to extended comfort or saving period or holiday) must be addressed to the heating circuit in question.</i> | |

OFF: No heating circuit is selected for override.

1 ... 4: The heating circuit number in question.



The circuit in question for override in the ECL controller must be in scheduled mode.
See also the parameter 'Override addr.'.



Example 1:

| (One ECL controller and one ECA 30 / 31) | | |
|--|------------------------------|-----------------------------|
| Override of heating circuit 2: | Set 'Connection addr.' to 15 | Set 'Override circuit' to 2 |

Example 2:

| (Several ECL controllers and one ECA 30 / 31) | | |
|---|-----------------------------|-----------------------------|
| Override of heating circuit 1 in ECL controller with the address 6: | Set 'Connection addr.' to 6 | Set 'Override circuit' to 1 |



Quick guide "ECA 30 / 31 to override mode":

1. Go to ECA MENU
2. Move cursor to "Clock" symbol
3. Select the "Clock" symbol
4. Choose and select one of 4 override functions
5. Below the override symbol: Set hours or date
6. Below hours / date: Set desired room temperature for the override period

ECA MENU > ECA system > ECA version

| ECA version (read-out only), examples | |
|---------------------------------------|----------|
| Code no. | 087H3200 |
| Hardware | A |
| Software | 1.42 |
| Build no. | 5927 |
| Serial no. | 13579 |
| Production week | 23.2012 |



ECA 30 / 31:

| | |
|----|--|
| 15 | Connection address (master: 15, slaves: 1 - 9) |
|----|--|

The ECA version information is useful in service situations.

Operating Guide ECL Comfort 310, application A368

ECA MENU > ECA factory > ECA clear apps.

Erase all apps. (Erase all applications)

*Erase all applications which are in the ECA 30 / 31.
After erasing, the application can be uploaded again.*

NO: The erase procedure is not done.

YES: The erase procedure is done (await 5 sec.).



After the erase procedure, a pop-up in the display indicates "Copy application". Choose "Yes". Hereafter the application is uploaded from the ECL controller. An upload bar is shown.

ECA MENU > ECA factory > ECA default

Restore factory

The ECA 30 / 31 is set back to factory settings.

Affected settings by the restore procedure:

- Room T offset
- RH offset (ECA 31)
- Backlight
- Contrast
- Use as remote
- Slave addr.
- Connection addr.
- Override addr.
- Override circuit
- Override mode
- Override mode end time

NO: The restore procedure is not done.

YES: The restore procedure is done.

Operating Guide ECL Comfort 310, application A368

ECA MENU > ECA factory > Reset ECL addr.

Reset ECL addr. (Reset ECL address)

If none of the connected ECL Comfort controllers has the address 15, the ECA 30 / 31 can set all connected ECL controllers on the ECL 485 bus back to address 15.

NO: The reset procedure is not done.

YES: The reset procedure is done (await 10 sec.).



The ECL 485 bus related address of the ECL controller is found:
MENU > 'Common controller settings' > 'System' > 'Communication' > 'ECL 485 addr.'



The "Reset ECL addr." cannot be activated if one or more of the connected ECL Comfort controllers has the address 15.



In a system with MASTER / SLAVE controllers, only one MASTER controller with address 15 is allowed.

If by mistake more MASTER controllers are present in an ECL 485 communication bus system, decide which controller is to be MASTER. Change the address in the remaining controllers. However, the system will operate but not be stable with more than one MASTER controller.

ECA MENU > ECA factory > Update firmware

Update firmware

*The ECA 30 / 31 can be updated with new firmware (software). The firmware comes with the ECL application key, when the key version is at least 2.xx.
If no new firmware is available, a symbol of the application key is displayed with an X.*

NO: The updating procedure is not done.

YES: The updating procedure is done.



The ECA 30 / 31 automatically verifies if a new firmware is present on the application key in the ECL Comfort controller.
The ECA 30 / 31 is automatically updated at new application upload in the ECL Comfort controller.

The ECA 30 / 31 is not automatically updated when connected to an ECL Comfort controller with uploaded application. A manual update is always possible.



Quick guide "ECA 30 / 31 to override mode":

1. Go to ECA MENU
2. Move cursor to "Clock" symbol
3. Select the "Clock" symbol
4. Choose and select one of 4 override functions
5. Below the override symbol: Set hours or date
6. Below hours / date: Set desired room temperature for the override period

Operating Guide ECL Comfort 310, application A368

7.2 Override function

The ECL 210 / 296 / 310 controllers can receive a signal in order to override the existing schedule. The override signal can be a switch or a relay contact.

Different override modes can be selected, depending on application key type.

Override modes: Comfort, Saving, Constant temperature and Frost protection.

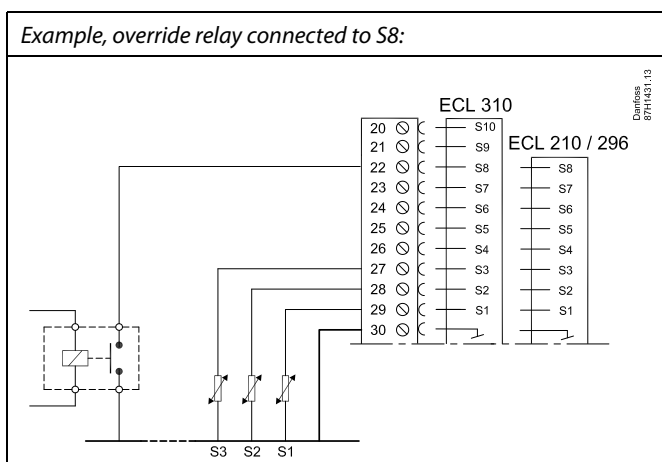
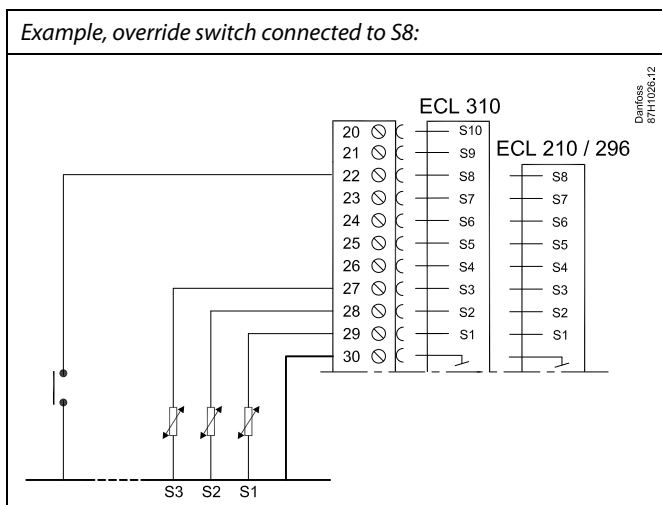
"Comfort" is also called normal heating temperature.

"Saving" can be reduced heating or heating stopped.

"Constant temperature" is a desired flow temperature, set in the menu "Flow temperature".

"Frost protection" stops the heating totally.

Override by means of override switch or relay contact is possible when the ECL 210 / 296 / 310 is in scheduled mode (clock).



Operating Guide ECL Comfort 310, application A368

Example 1

ECL in Saving mode, but in Comfort mode at override.

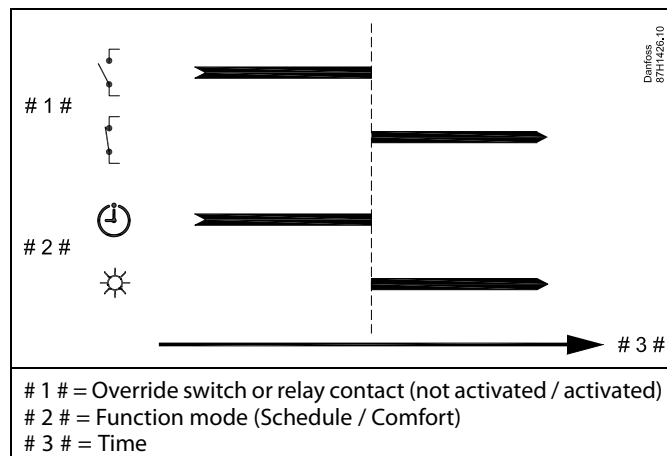
Choose an unused input, for example S8. Connect the override switch or override relay contact.

Settings in ECL:

1. Select circuit > MENU > Settings > Application > Ext. input:
Select the input S8 (the wiring example)
2. Select circuit > MENU > Settings > Application > Ext. mode:
Select COMFORT
3. Select circuit > MENU > Schedule:
Select all weekdays
Set "Start1" to 24.00 (this disables Comfort mode)
Exit menu and confirm by "Save"
4. Remember to set the circuit in question in scheduled mode ("clock").

Result: When the override switch (or the relay contact) is ON, the ECL 210 / 296 / 310 will operate in Comfort mode.

When the override switch (or the relay contact) is OFF, the ECL 210 / 296 / 310 will operate in Saving mode.



Example 2

ECL in Comfort mode, but in Saving mode at override.

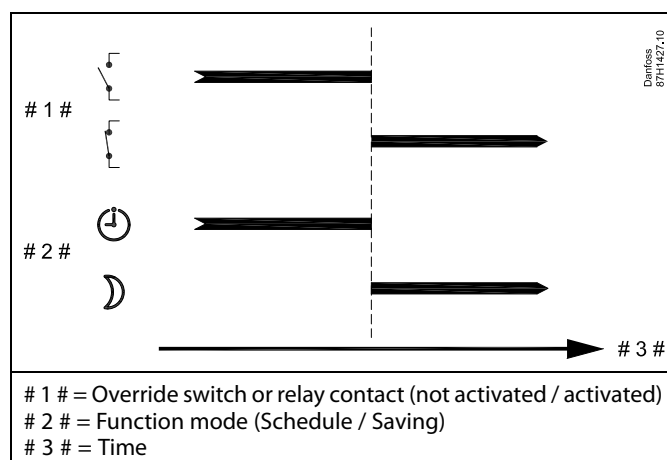
Choose an unused input, for example S8. Connect the override switch or override relay contact.

Settings in ECL:

1. Select circuit > MENU > Settings > Application > Ext. input:
Select the input S8 (the wiring example)
2. Select circuit > MENU > Settings > Application > Ext. mode:
Select SAVING
3. Select circuit > MENU > Schedule:
Select all weekdays
Set "Start1" to 00.00
Set "Stop1" to 24.00
Exit menu and confirm by "Save"
4. Remember to set the circuit in question in scheduled mode ("clock").

Result: When the override switch (or the relay contact) is ON, the ECL 210 / 296 / 310 will operate in Saving mode.

When the override switch (or the relay contact) is OFF, the ECL 210 / 296 / 310 will operate in Comfort mode.



Operating Guide ECL Comfort 310, application A368

Example 3

The week schedule for the building is set with comfort periods Monday - Friday: 07.00 - 17.30. Sometimes, a team meeting takes place in the evening or in the week-end.

An override switch is installed and heating must be ON (Comfort mode) as long as the switch is ON.

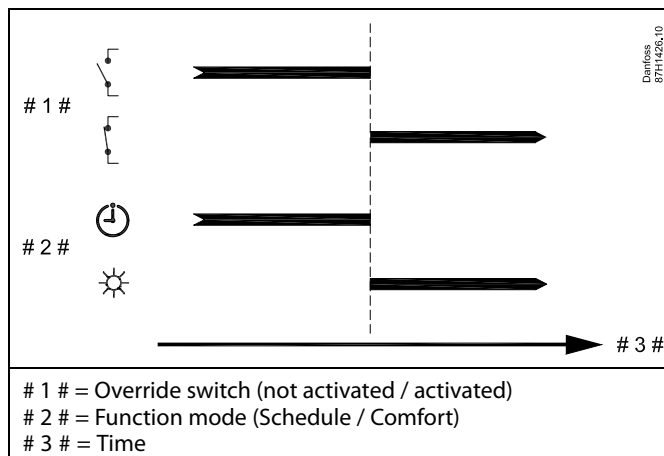
Choose an unused input, for example S8. Connect the override switch.

Settings in ECL:

1. Select circuit > MENU > Settings > Application > Ext. input:
Select the input S8 (the wiring example)
2. Select circuit > MENU > Settings > Application > Ext. mode:
Select COMFORT
3. Remember to set the circuit in question in scheduled mode ("clock").

Result: When the override switch (or a relay contact) is ON, the ECL 210 / 296 / 310 will operate in Comfort mode.

When the override switch is OFF, the ECL 210 / 296 / 310 will operate according to the schedule.



Example 4

The week schedule for the building is set with comfort periods all weekdays: 06.00 - 20.00. Sometimes, the desired flow temperature must be constant on 65 °C.

An override relay is installed and the flow temperature must be 65 °C as long as the override relay is activated.

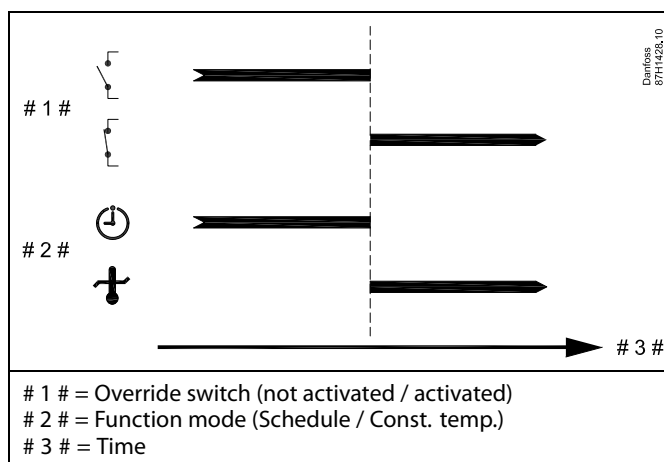
Choose an unused input, for example S8. Connect the contacts of the override relay.

Settings in ECL:

1. Select circuit > MENU > Settings > Application > Ext. input:
Select the input S8 (the wiring example)
2. Select circuit > MENU > Settings > Application > Ext. mode:
Select CONST. T
3. Select circuit > MENU > Settings > Flow temperature >
Desired T (ID 1x004):
Set to 65 °C
4. Remember to set the circuit in question in scheduled mode ("clock").

Result: When the override relay is activated, the ECL 210 / 296 / 310 will operate in Const. temp. mode and control a flow temperature of 65 °C.

When the override relay is not activated, the ECL 210 / 296 / 310 will operate according to the schedule.



Operating Guide ECL Comfort 310, application A368

7.3 Several controllers in the same system

When ECL Comfort controllers are interconnected by means of the ECL 485 communication bus (cable type: 2 x twisted pair), the master controller will broadcast the following signals to the slave controllers:

- Outdoor temperature (measured by S1)
- Time and date
- DHW tank heating / charging activity

Furthermore, the master controller can receive information about:

- the desired flow temperature (demand) from slave controllers
- and (as from ECL controller version 1.48) DHW tank heating / charging activity in slave controllers

Situation 1:

SLAVE controllers: How to make use of the outdoor temperature signal sent from the MASTER controller

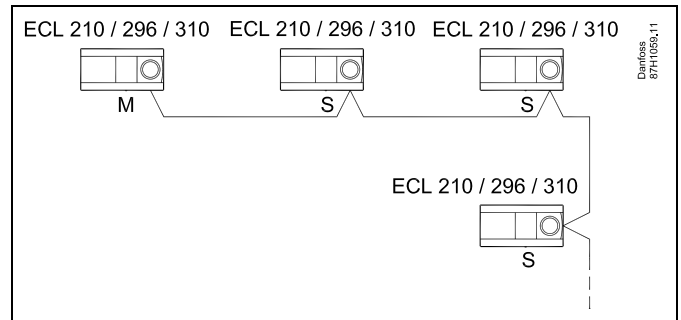
The slave controllers only receive information about outdoor temperature and date / time.

SLAVE controllers:

Change the factory set address from 15 to address 0.

- In go to System > Communication > ECL 485 addr.

| ECL 485 addr. (master / slave address) | | 2048 |
|--|---------------|----------|
| Circuit | Setting range | Choose |
| <input type="text"/> | 0 ... 15 | 0 |



ECL 485 bus cable

Maximum recommended length of the ECL 485 bus is calculated like this:

Subtract "Total length of all input cables of all ECL controllers in the master - slave system" from 200 m.

Simple example for total length of all input cables, 3 x ECL:

| | | |
|---------|-----------------------|------|
| 1 x ECL | Outdoor temp. sensor: | 15 m |
| 3 x ECL | Flow temp. sensor: | 18 m |
| 3 x ECL | Return temp. sensor: | 18 m |
| 3 x ECL | Room temp. sensor: | 30 m |
| Total: | | 81 m |

Maximum recommended length of the ECL 485 bus:
200 - 81 m = 119 m



In a system with MASTER / SLAVE controllers, only one MASTER controller with address 15 is allowed.

If by mistake more MASTER controllers are present in an ECL 485 communication bus system, decide which controller is to be MASTER. Change the address in the remaining controllers. However, the system will operate but not be stable with more than one MASTER controller.



In the MASTER controller, the address in 'ECL 485 addr. (master / slave address)'; ID no. 2048, must always be 15.
Navigation:

- In , go to System > Communication > ECL 485 addr.

SLAVE controllers must be set to another address than 15:
Navigation:

- In , go to System > Communication > ECL 485 addr.



'Demand offset' with a value is to be used in the Master controller only.

Operating Guide ECL Comfort 310, application A368

Situation 2:

SLAVE controller: How to react on a DHW tank heating / charging activity sent from the MASTER controller

The slave receives information about a DHW tank heating / charging activity in the master controller and can be set to close the selected heating circuit.

ECL controller versions 1.48 (as from August 2013):

The master receives information about DHW tank heating / charging activity in the master controller itself and also slaves in the system.

This status is broadcasted to all ECL controllers in the system and each heating circuit can be set to close the heating.

SLAVE controller:

Set the desired function:

- In circuit 1 / circuit 2, go to 'Settings' > 'Application' > 'DHW priority':

| DHW priority (closed valve / normal operation) | | 11052 / 12052 |
|--|---------------|---------------|
| Circuit | Setting range | Choose |
| 1 / 2 | OFF / ON | OFF / ON |

OFF: The flow temperature control remains unchanged during active DHW heating / charging in the master / slave system.

ON: The valve in the heating circuit is closed during active DHW heating / charging in the master / slave system.

Operating Guide ECL Comfort 310, application A368

Situation 3:

SLAVE controller: How to make use of the outdoor temperature signal and send information about the desired flow temperature back to the MASTER controller

The slave controller receives information about outdoor temperature and date / time. The master controller receives information about the desired flow temperature from slave controllers with an address from 1 ... 9:

SLAVE controller:

- In , go to System > Communication > ECL 485 addr.
- Change the factory set address from 15 to an address (1 ... 9). Each slave must be configured with its own address.

| ECL 485 addr. (master / slave address) | | 2048 |
|--|---------------|---------|
| Circuit | Setting range | Choose |
| <input type="checkbox"/> | 0 ... 15 | 1 ... 9 |

Furthermore, each slave can send information about the desired flow temperature (demand) in each circuit back to the master controller.

SLAVE controller:

- In the circuit in question, go to Settings > Application > Send desired T
- Choose ON or OFF.

| Send desired T | | 11500 / 12500 |
|----------------|---------------|------------------|
| Circuit | Setting range | Choose |
| 1 / 2 | OFF / ON | ON or OFF |

OFF: Information about the desired flow temperature is not sent to the master controller.

ON: Information about the desired flow temperature is sent to the master controller.



In the MASTER controller, the address in 'ECL 485 addr. (master / slave address)'; ID no. 2048, must always be 15.

7.4 Frequently asked questions



The definitions apply to the ECL Comfort 210 / 296 / 310 series. Consequently, you might come across expressions that are not mentioned in your guide.

Circulation pump (heating) does not stop as expected

It is in operation at frost protection (outdoor temperature lower than "P frost T" value) and at heat demand (desired flow temperature higher than "P heat T" value)

The time shown in the display is one hour off?

See 'Time and Date'.

The time shown in the display is not correct?

The internal clock may have been reset, if there has been a power break for more than 72 hours.

Go to the 'Common controller settings' and 'Time & Date' to set the correct time.

The ECL Application Key is lost?

Switch the power off and on again to see the ECL controller type, version code (e.g. 1.52), code no. and application (e.g. A266.1) or go to 'Common controller settings' > 'Key functions' > 'Application'. The system type (e.g. TYPE A266.1) and the system diagram is displayed.

Order a replacement from your Danfoss representative (e.g. ECL Application Key A266).

Insert the new ECL Application Key and copy your personal settings from the controller to the new ECL Application Key, if required.

The room temperature is too low?

Make sure that the radiator thermostat does not limit the room temperature.

If you still cannot obtain the desired room temperature by adjusting the radiator thermostats, the flow temperature is too low. Increase the desired room temperature (display with desired room temperature). If this does not help, adjust the 'Heat curve' ('Flow temp').

The room temperature is too high during saving periods?

Make sure that the min. flow temperature limitation ('Temp. min.') is not too high.

The temperature is unstable?

Check that the flow temperature sensor is correctly connected and in the right place. Adjust the control parameters ('Control par').

If the controller has a room temperature signal, see 'Room limit'.

The controller does not operate and the control valve is closed?

Check that the flow temperature sensor is measuring the correct value, see 'Daily use' or 'Input overview'.

Check the influence from other measured temperatures.

How to make an extra comfort period in the schedule?

You can set an additional comfort period by adding new 'Start' and 'Stop' times in 'Schedule'.

How to remove a comfort period in the schedule?

You can remove a comfort period by setting start and stop times to the same value.

How to restore your personal settings?

Please read the chapter concerning 'Inserting the ECL Application Key'.

Operating Guide ECL Comfort 310, application A368

How to restore the factory settings?

Please read the chapter concerning 'Inserting the ECL Application Key'.

Why can't the settings be changed?

The ECL Application Key has been removed.

Why can't an application be selected when inserting the ECL application key into the controller?

The actual application in the ECL Comfort controller must be deleted before a new application (subtype) can be selected.

How to react on alarms?

An alarm indicates that the system is not operating satisfactorily. Please contact your installer.

What does P and PI control mean?

P control: Proportional control.

By using a P control, the controller will change the flow temperature proportional to the difference between a desired and an actual temperature, e.g. a room temperature.

A P control will always have an offset which not will disappear over time.

PI control: Proportional and Integrating control.

A PI control does the same as a P control, but the offset will disappear over time.

A long 'Tn' will give a slow but stable control, and a short 'Tn' will result in a fast control but with a higher risk of instability.

What does the "i" in the upper right corner of the display mean?

When uploading an application (subtype) from the application key into the ECL Comfort controller, the "i" in the upper right corner indicates that - besides the factory settings - the subtype also contains special user / systems settings.

Why can't the ECL 485 Bus (used in ECL 210 / 296 / 310) and the ECL Bus (used in ECL 100 / 110 / 200 / 300) communicate?

These two communication busses (Danfoss proprietary) are different in connection form, telegram form and speed.

Why can't I select a language when uploading an application?

Reason can be that the ECL 310 is powered with 24 Volt d.c.

Language

At application upload, a language must be selected.*

If another language than English is selected, the selected language **AND** English will be uploaded into the ECL controller.

This makes service easy for English speaking service people, just because the English language menus can be visible by changing the actual set language into English.

(Navigation: MENU > Common controller > System > Language)

If the uploaded language is not suitable, the application must be erased. User and System settings can be saved on the application key before erasing.

After new upload with preferred language, the existing User and System settings can be uploaded.

*)

(ECL Comfort 310, 24 Volt) If language cannot be selected, the power supply is not a.c. (alternating current).

Operating Guide ECL Comfort 310, application A368

How to set a correct heat curve?

Short answer:

Set the heat curve to the lowest possible value, but still having comfortable room temperature.

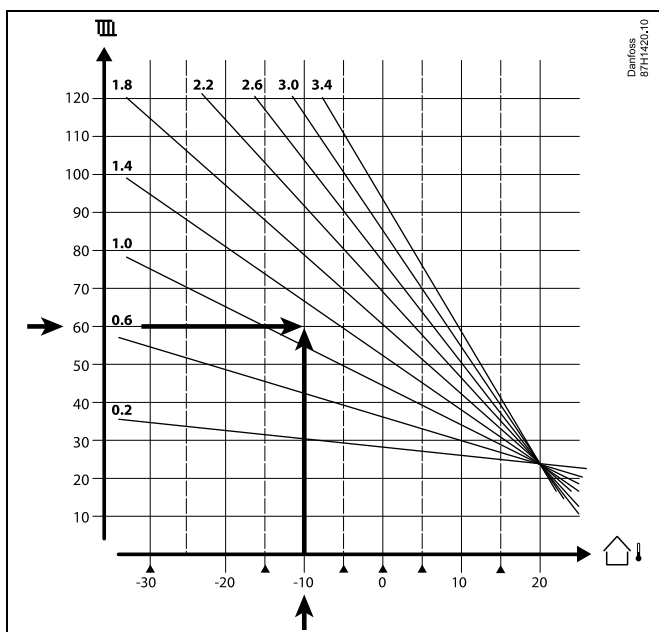
The table shows some recommendations:

| House with radiators: | Needed flow temp. when the outdoor temp. is -10 °C: | Recommended heat curve value: |
|--|---|-------------------------------|
| Older than 20 years: | 65 °C | 1.4 |
| Between 10 and 20 years old: | 60 °C | 1.2 |
| Rather new: | 50 °C | 0.8 |
| Floor heating systems need, in general, a lower heat curve value | | |

Technical answer:

In order to save energy, the flow temperature should be as low as possible, but still considering a comfortable room temperature. This means the heat curve slope should have a low value.

See the heat curve slope diagram.



Choose the desired flow temperature (vertical axis) for your heating system at the expected lowest outdoor temperature (horizontal axis) for your area. Pick the heat curve closest to the common point of these two values.

Example: Desired flow temperature: 60 (°C) at outdoor temperature: -10 (°C)

Result: Heat curve slope value = 1.2 (mid-way between 1.4 and 1.0).

In general:

- Smaller radiators in your heating system might require a higher heat curve slope. (Example: Desired flow temperature 70 °C resulting in heat curve = 1.5).
- Floor heating systems require a lower heat curve slope. (Example: Desired flow temperature 35 °C resulting in heat curve = 0.4).
- Corrections of the heat curve slope should be done in small steps when having outdoor temperatures below 0 °C; one step pr. day.
- If required, adjust the heat curve in the six coordinate points.
- Setting of the desired **room** temperature has an influence on the desired flow temperature even if a room temperature sensor / Remote Control Unit is not connected. An example: Increasing the desired **room** temperature results in a higher flow temperature.
- Typically, the desired **room** temperature should be adjusted when having outdoor temperatures above 0 °C.

Operating Guide ECL Comfort 310, application A368

7.5 Definitions



The definitions apply to the ECL Comfort 210 / 296 / 310 series. Consequently, you might come across expressions that are not mentioned in your guide.

Accumulated temperature value

A filtered (dampened) value, typically for room and outdoor temperatures. Is calculated in the ECL controller and is used to express the heat stored in the walls of the house. The accumulated value does not change so rapidly as the actual temperature.

Air duct temperature

Temperature measured in the air duct where the temperature is to be controlled.

Alarm function

Based on the alarm settings, the controller can activate an output.

Anti-bacteria function

For a defined period, the DHW temperature is increased in order to neutralize dangerous bacteria, e.g. Legionella.

Balance temperature

This setpoint is the basis for the flow / air duct temperature. The balance temperature can be adjusted by the room temperature, the compensation temperature and the return temperature. The balance temperature is only active if a room temperature sensor is connected.

BMS

Building Management System. A supervisory system for remote control and monitoring.

Comfort operation

Normal temperature in the system controlled by the schedule. During heating the flow temperature in the system is higher to maintain the desired room temperature. During cooling the flow temperature in the system is lower to maintain the desired room temperature.

Comfort temperature

Temperature maintained in the circuits during comfort periods. Normally during daytime.

Compensation temperature

A measured temperature influencing the flow temperature reference / balance temperature.

Desired flow temperature

Temperature calculated by the controller on basis of the outdoor temperature and influences from the room and / or return temperatures. This temperature is used as a reference for the control.

Desired room temperature

Temperature which is set as the desired room temperature. The temperature can only be controlled by the ECL Comfort controller if a room temperature sensor is installed.

If a sensor is not installed, the set desired room temperature however still influences the flow temperature.

In both cases the room temperature in each room is typically controlled by radiator thermostats / valves.

Desired temperature

Temperature based on a setting or a controller calculation.

Dew point temperature

Temperature at which the humidity in the air condensates.

DHW circuit

The circuit for heating the domestic hot water (DHW).

Duct temperature

Temperature measured in the air duct where the temperature is to be controlled.

ECL 485 Bus

This communication bus is Danfoss proprietary and used for internal communication between ECL 210, ECL 210B, ECL 296, ECL 310, ECL 310B, ECA 30 and ECA 31.

Communication with "ECL Bus", used in ECL 100, ECL 110, ECL 200, ECL 300 and ECL 301, is not possible.

ECL Portal

A supervisory system for remote control and monitoring, locally and via Internet.

EMS

Energy Management System. A supervisory system for remote control and monitoring.

Factory settings

Settings stored on the ECL Application Key to simplify the set up of your controller the first time.

Firmware

is used by the ECL Comfort controller and ECA 30 / 31 to manage display, dial and program execution.

Flow temperature

Temperature measured in the water flow where the temperature is to be controlled.

Flow temperature reference

Temperature calculated by the controller on basis of the outdoor temperature and influences from the room and / or return temperatures. This temperature is used as a reference for the control.

Heat curve

A curve showing the relationship between actual outdoor temperature and desired flow temperature.

Heating circuit

The circuit for heating the room / building.

Holiday schedule

Selected days can be programmed to be in comfort, saving or frost protection mode. Besides this, a day schedule with comfort period from 07.00 to 23.00 can be selected.

Humidistat

A device, which reacts on the air's humidity. A switch can go ON if the measured humidity gets above a set point.

Humidity, relative

This value (stated in %) refers to the indoor moisture content compared to the max. moisture content. The relative humidity is measured by the ECA 31 and is used for the calculation of the dew point temperature.

Inlet temperature

Temperature measured in the inlet air flow where the temperature is to be controlled.

Limitation temperature

Temperature that influences the desired flow / balance temperature.

Log function

The temperature history is displayed.

Master / slave

Two or more controllers are interconnected on the same bus, the master sends out e.g. time, date and outdoor temperature. The slave receives data from master and sends e.g. desired flow temperature value.

Operating Guide ECL Comfort 310, application A368

Modulating control (0 - 10 V control)

Positioning (by means of a 0 - 10 V control signal) of the actuator for the motorized control valve in order to control the flow.

Optimization

The controller optimizes the start time of the scheduled temperature periods. Based on the outdoor temperature, the controller automatically calculates when to start in order to reach the comfort temperature at the set time. The lower the outdoor temperature, the earlier the start time.

Outdoor temperature trend

The arrow indicates the tendency, i.e. whether the temperature rises or falls.

Override mode

When ECL Comfort is in Scheduled mode, a switch or contact signal can be applied to an input in order to override to Comfort, Saving, Frost protection or Constant temperature. As long as the switch or contact signal is applied, the override is active.

Pt 1000 sensor

All sensors used with the ECL Comfort controller are based on the Pt 1000 type (IEC 751B). The resistance is 1000 ohm at 0 °C and it changes with 3.9 ohm / degree.

Pump control

One circulation pump is working and the other is the spare circulation pump. After a set time, the roles are exchanged.

Refill water function

If the measured pressure in the heating system is too low (e.g. due to a leakage), water can be supplemented.

Return temperature

The temperature measured in the return influences the desired flow temperature.

Room temperature

Temperature measured by the room temperature sensor or the Remote Control Unit. The room temperature can only be controlled directly if a sensor is installed. The room temperature influences the desired flow temperature.

Room temperature sensor

Temperature sensor placed in the room (reference room, typically the living room) where the temperature is to be controlled.

Saving temperature

Temperature maintained in the heating / DHW circuit during saving temperature periods. Typically, the Saving temperature is lower than the Comfort temperature in order to save energy.

SCADA

Supervisory Control And Data Acquisition. A supervisory system for remote control and monitoring.

Schedule

Schedule for periods with comfort and saving temperatures. The schedule can be made individually for each week day and may consist of up to 3 comfort periods per day.

Software

is used in the ECL Comfort controller to do the application related processes.

Weather compensation

Flow temperature control based on the outdoor temperature. The control is related to a user-defined heat curve.

2-point control

ON / OFF control, e.g. circulation pump, ON / OFF valve, change-over valve or damper control.

3-point control

Actuator positioning by means of Opening, Closing or No-action signals for the motorized control valve in order to control the flow. No-action means that the actuator remains in its current position.

Operating Guide ECL Comfort 310, application A368

7.6 Type (ID 6001), overview

| | Type 0 | Type 1 | Type 2 | Type 3 | Type 4 |
|---|-----------|-----------|-----------|-----------|-----------|
| Address | ✓ | ✓ | ✓ | ✓ | ✓ |
| Type | ✓ | ✓ | ✓ | ✓ | ✓ |
| Scan time | ✓ | ✓ | ✓ | ✓ | ✓ |
| ID / Serial | ✓ | ✓ | ✓ | ✓ | ✓ |
| Reserved | ✓ | ✓ | ✓ | ✓ | ✓ |
| Flow temp. [0.01 °C] | ✓ | ✓ | ✓ | ✓ | - |
| Return temp. [0.01 °C] | ✓ | ✓ | ✓ | ✓ | - |
| Flow [0.1 l/h] | ✓ | ✓ | ✓ | ✓ | - |
| Power [0.1 kW] | ✓ | ✓ | ✓ | ✓ | - |
| Acc. Volume | [0.1 m3] | [0.1 m3] | [0.1 m3] | [0.1 m3] | - |
| Acc. Energy | [0.1 kWh] | [0.1 MWh] | [0.1 kWh] | [0.1 MWh] | - |
| Tariff1 Acc. Energy | - | - | [0.1 kWh] | [0.1 MWh] | - |
| Tariff2 Acc. Energy | - | - | [0.1 kWh] | [0.1 MWh] | - |
| Up time [days] | - | - | ✓ | ✓ | - |
| Current time [M-bus defined structure] | - | - | ✓ | ✓ | ✓ |
| Error status [energy meter defined bitmask] | - | - | ✓ | ✓ | - |
| Acc. Volume | - | - | - | - | [0.1 m3] |
| Acc. Energy | - | - | - | - | [0.1 kWh] |
| Acc. Volume2 | - | - | - | - | [0.1 m3] |
| Acc. Energy2 | - | - | - | - | [0.1 kWh] |
| Acc. Volume3 | - | - | - | - | [0.1 m3] |
| Acc. Energy3 | - | - | - | - | [0.1 kWh] |
| Acc. Volume4 | - | - | - | - | [0.1 m3] |
| Acc. Energy4 | - | - | - | - | [0.1 kWh] |
| Flow MAX | [0.1 l/h] | [0.1 l/h] | [0.1 l/h] | [0.1 l/h] | - |
| Power MAX | [0.1 kW] | [0.1 kW] | [0.1 kW] | [0.1 kW] | - |
| Max T forward | ✓ | ✓ | ✓ | ✓ | - |
| Max T return | ✓ | ✓ | ✓ | ✓ | - |
| Storage * Acc. Energy | [0.1 kWh] | [0.1 kWh] | [0.1 kWh] | [0.1 kWh] | - |

7.7 Automatic / manual update of firmware

Info:

- Firmware and application software are on the application key
- ECL Comfort has firmware implemented
- Firmware with Encryption has version 2.00 and up

Situation 1:

ECL Comfort controller, new (= no application installed), from before 10th of July 2018, to be installed:

1. Insert application key.
2. If the firmware on application key is newer than the firmware in the ECL, an update will be done automatically.
3. Hereafter the application can be uploaded.
4. If the firmware in the ECL is newer than the firmware on application key, the application can be uploaded.

Situation 2:

ECL Comfort controller is installed and runs an application.

1. Store all settings on the existing application key *.
2. Erase actual application in the ECL **.
3. Insert an application key with new firmware. The firmware update will be done automatically.
4. When ECL requires language selection, then remove application key.
5. Insert "old" application key.
6. Select language, select application subtype and see an "i" in upper right corner.
7. Set time / date if needed.
8. Choose "Next".
9. In Copy menu, choose YES at System and User settings; then choose "Next".
10. "Old" application is uploaded, ECL restarts and is ready again.

* Navigation: MENU > Common controller settings > Key functions > Copy > "To KEY", System settings = YES, User settings = YES, Start copying: Push dial.
Within 1 sec the settings are stored on the application key.

** Navigation: MENU > Common controller settings > Key functions > New application > Erase application: Push dial.

NOTE: You might come in a situation where the update will not elapse. This is typically when one or two ECA 30 are connected.

Remedy: Disconnect (remove from its base) the ECA 30. If ECL 310B, then only one ECA 30 should be connected.

Operating Guide ECL Comfort 310, application A368

7.8 Parameter ID overview

A368.x — x refers to the subtypes listed in the column.

| ID | Parameter Name | A368.x | Setting range | Factory | Unit | Own settings | |
|-------|---------------------|------------------|-----------------------------------|---------|------|--------------|---------------------|
| 10609 | Low Y | 3, 4, 5 | 0.0 ... 30.0 | 0.0 | Bar | | |
| 10610 | High Y | 3, 4, 5 | 0.0 ... 30.0 | 20.0 | Bar | | |
| 10656 | Alarm value | 1, 2, 3, 4, 5, 6 | OFF ; ON | OFF | | | |
| 10657 | Alarm time-out | 1, 2, 3, 4, 5, 6 | 0 ... 240 | 5 | Sec | | |
| 10676 | Alarm value | 3, 4, 5 | OFF ; ON | OFF | | | |
| 10677 | Alarm time-out | 3, 4, 5 | 0 ... 240 | 5 | Sec | | |
| 11004 | Desired T | 1, 2, 3, 4, 5, 6 | 5 ... 150 | 50 | °C | | 71 |
| 11011 | Auto saving | 1, 2, 3, 4, 5, 6 | OFF, -29 ... 10 | -15 | °C | | 83 |
| 11012 | Boost | 1, 2, 3, 4, 5, 6 | OFF, 1 ... 99 | OFF | % | | 84 |
| 11013 | Ramp | 1, 2, 3, 4, 5, 6 | OFF, 1 ... 99 | OFF | Min | | 85 |
| 11014 | Optimizer | 1, 2, 3, 4, 5, 6 | OFF, 10 ... 59 | OFF | | | 85 |
| 11017 | Demand offset | 1, 2, 3, 4, 5, 6 | OFF, 1 ... 20 | OFF | K | | 103 |
| 11021 | Total stop | 1, 2, 3, 4, 5, 6 | OFF ; ON | OFF | | | 86 |
| 11022 | P exercise | 1, 2, 3, 4, 5, 6 | OFF, 1 ... 200 | OFF | Sec | | 94 |
| 11023 | M exercise | 1, 2, 3, 4, 5, 6 | OFF ; ON | OFF | | | 103 |
| 11026 | Pre-stop | 1, 2, 3, 4, 5, 6 | OFF ; ON | ON | | | 87 |
| 11028 | Con. T, ret. T lim. | 1, 2, 3, 4, 5, 6 | 10 ... 110 | 70 | °C | | 75 |
| 11029 | DHW, ret. T limit | 1, 2, 3, 4, 5, 6 | OFF, 10 ... 110 | OFF | °C | | 75 |
| 11031 | High T out X1 | 1, 2, 3, 4, 5, 6 | -60 ... 20 | 15 | °C | | 76 |
| 11032 | Low limit Y1 | 1, 2, 3, 4, 5, 6 | 10 ... 150 | 40 | °C | | 76 |
| 11033 | Low T out X2 | 1, 2, 3, 4, 5, 6 | -60 ... 20 | -15 | °C | | 76 |
| 11034 | High limit Y2 | 1, 2, 3, 4, 5, 6 | 10 ... 150 | 60 | °C | | 77 |
| 11035 | Inf. - max. | 1, 2, 3, 4, 5, 6 | -9.9 ... 9.9 | 0.0 | | | 77 |
| 11036 | Inf. - min. | 1, 2, 3, 4, 5, 6 | -9.9 ... 9.9 | 0.0 | | | 77 |
| 11037 | Adapt. time | 1, 2, 3, 4, 5, 6 | OFF, 1 ... 50 | 25 | Sec | | 77 |
| 11043 | Parallel operation | 1, 2, 3, 4, 5, 6 | OFF, 1 ... 99 | OFF | K | | 87 |
| 11052 | DHW priority | 1, 2, 3, 4, 5, 6 | OFF ; ON | OFF | | | 104 |
| 11077 | P frost T | 1, 2, 3, 4, 5, 6 | OFF, -10 ... 20 | 2 | °C | | 104 |
| 11078 | P heat T | 1, 2, 3, 4, 5, 6 | 5 ... 40 | 20 | °C | | 104 |
| 11085 | Priority | 1, 2, 3, 4, 5, 6 | OFF ; ON | OFF | | | 78 |
| 11093 | Frost pr. T | 1, 2, 3, 4, 5, 6 | 5 ... 40 | 10 | °C | | 104 |
| 11109 | Input type | 1, 2, 3, 4, 5, 6 | EM1 ; EM2 ; EM3 ; EM4 ; EM5 ; OFF | OFF | | | 80 |
| 11112 | Adapt. time | 1, 2, 3, 4, 5, 6 | OFF, 1 ... 50 | OFF | Sec | | 81 |
| 11113 | Filter constant | 1, 2, 3, 4, 5, 6 | 1 ... 50 | 10 | | | 81 |

Operating Guide ECL Comfort 310, application A368

| ID | Parameter Name | A368.x | Setting range | Factory | Unit | Own settings | |
|-------|------------------|------------------|--|---------|------|--------------|---------------------|
| 11115 | Units | 1, 2, 3, 4, 5, 6 | ml, l/h ; l, l/h ; ml, m3/h ; l, m3/h ; Wh, kW ; kWh, kW ; kWh, MW ; MWh, MW ; MWh, GW ; GWh, GW | ml, l/h | | | 81 |
| 11116 | High limit Y2 | 1, 2, 3, 4, 5, 6 | 0.0 ... 999.9 | 999.9 | | | 81 |
| 11117 | Low limit Y1 | 1, 2, 3, 4, 5, 6 | 0.0 ... 999.9 | 999.9 | | | 82 |
| 11118 | Low T out X2 | 1, 2, 3, 4, 5, 6 | -60 ... 20 | -15 | °C | | 82 |
| 11119 | High T out X1 | 1, 2, 3, 4, 5, 6 | -60 ... 20 | 15 | °C | | 82 |
| 11141 | Ext. input | 1, 2, 6 | OFF ; S1 ; S2 ; S3 ; S4 ; S5 ; S6 ; S7 ; S8 ; S9 ; S10 | OFF | | | 105 |
| | - - | 3, 4, 5 | OFF ; S1 ; S2 ; S3 ; S4 ; S5 ; S6 ; S7 ; S8 ; S9 ; S10 ; S11 ; S12 | OFF | | | |
| 11142 | Ext. mode | 1, 2, 3, 4, 5, 6 | COMFORT ; SAVING ; FROST PR. ; CONST. T | COMFORT | | | 105 |
| 11147 | Upper difference | 1, 2, 3, 4, 5, 6 | OFF, 1 ... 30 | OFF | K | | 115 |
| 11148 | Lower difference | 1, 2, 3, 4, 5, 6 | OFF, 1 ... 30 | OFF | K | | 116 |
| 11149 | Delay | 1, 2, 3, 4, 5, 6 | 1 ... 99 | 10 | Min | | 116 |
| 11150 | Lowest temp. | 1, 2, 3, 4, 5, 6 | 10 ... 50 | 30 | °C | | 117 |
| 11174 | Motor pr. | 1, 2, 3, 4, 5, 6 | OFF, 10 ... 59 | OFF | Min | | 91 |
| 11177 | Temp. min. | 1, 2, 3, 4, 5, 6 | 10 ... 150 | 10 | °C | | 71 |
| 11178 | Temp. max. | 1, 3, 5, 6 | 10 ... 150 | 90 | °C | | 71 |
| 11179 | Summer, cut-out | 1, 2, 3, 4, 5, 6 | OFF, 1 ... 50 | 20 | °C | | |
| 11184 | Xp | 1, 2, 3, 4, 5, 6 | 5 ... 250 | 80 | K | | 91 |
| 11185 | Tn | 1, 2, 3, 4, 5, 6 | 1 ... 999 | 30 | Sec | | 91 |
| 11186 | M run | 1, 2, 3, 4, 5, 6 | 5 ... 250 | 60 | Sec | | 92 |
| 11187 | Nz | 1, 2, 3, 4, 5, 6 | 1 ... 9 | 3 | K | | 92 |
| 11189 | Min. act. time | 1, 2, 3, 4, 5, 6 | 2 ... 50 | 10 | | | 92 |
| 11300 | High supp. T X2 | 2, 4 | 10 ... 150 | 150 | °C | | 72 |
| 11301 | High T max Y2 | 2, 4 | 10 ... 150 | 95 | °C | | 72 |
| 11302 | Low supply T X1 | 2, 4 | 10 ... 150 | 70 | °C | | 72 |
| 11303 | Low T max Y1 | 2, 4 | 10 ... 150 | 50 | °C | | 72 |
| 11310 | Retry time | 1, 2, 3, 4, 5, 6 | OFF, 1 ... 99 | 20 | Min | | 94 |
| 11311 | Change, duration | 1, 2, 3, 4, 5, 6 | 1 ... 10 | 2 | | | 94 |
| 11312 | Change time | 1, 2, 3, 4, 5, 6 | 0 ... 23 | 12 | | | 95 |
| 11313 | Stab. time | 1, 2, 3, 4, 5, 6 | 1 ... 99 | 15 | Sec | | 95 |
| 11314 | Chan.-over time | 1, 2, 3, 4, 5, 6 | OFF, 1 ... 99 | 5 | Sec | | 95 |
| 11315 | Circ. pumps | 1, 2, 3, 4, 5, 6 | OFF ; ON | OFF | | | 117 |
| 11316 | Alarm handling | 1, 2, 3, 4, 5, 6 | OFF ; ON | ON | | | 98 |
| 11320 | P exercise | 1, 2, 3, 4, 5, 6 | OFF, 1 ... 200 | OFF | Sec | | 98 |

Operating Guide ECL Comfort 310, application A368

| ID | Parameter Name | A368.x | Setting range | Factory | Unit | Own settings | |
|-------|-------------------|------------------|-----------------------------------|---------|------|--------------|---------------------|
| 11321 | Pressure, des. | 1, 2, 3, 4, 5, 6 | 0.2 ... 25.0 | 3.0 | Bar | | |
| 11322 | Pressure, diff. | 1, 2, 3, 4, 5, 6 | 0.1 ... 5.0 | 1.5 | Bar | | 99 |
| 11323 | Time-out | 1, 2, 3, 4, 5, 6 | 1 ... 1000 | 1 | Min | | 99 |
| 11324 | Refill water | 1, 2, 3, 4, 5, 6 | OFF ; ON | OFF | | | 117 |
| 11325 | Valve delay | 1, 2, 3, 4, 5, 6 | 0 ... 30 | 1 | Sec | | 100 |
| 11326 | No. of pumps | 1, 2, 6 | OFF ... 1 | 1 | | | 101 |
| | - - | 3, 4, 5 | OFF, 1 ... 2 | 1 | | | |
| 11327 | Input type | 1, 2, 3, 4, 5, 6 | OFF ; AI ; DI | OFF | | | 101 |
| 11392 | Sum. start, month | 1, 2, 3, 4, 5, 6 | 1 ... 12 | 5 | | | 110 |
| 11393 | Sum. start, day | 1, 2, 3, 4, 5, 6 | 1 ... 31 | 20 | | | 110 |
| 11395 | Summer, filter | 1, 2, 3, 4, 5, 6 | OFF, 1 ... 300 | 250 | | | 110 |
| 11396 | Win. start, month | 1, 2, 3, 4, 5, 6 | 1 ... 12 | 5 | | | 110 |
| 11397 | Winter start, day | 1, 2, 3, 4, 5, 6 | 1 ... 31 | 20 | | | 110 |
| 11398 | Winter, cut-out | 1, 2, 3, 4, 5, 6 | OFF, 1 ... 50 | 20 | °C | | 110 |
| 11399 | Winter, filter | 1, 2, 3, 4, 5, 6 | OFF, 1 ... 300 | 250 | | | 110 |
| 11500 | Send desired T | 1, 2, 3, 4, 5, 6 | OFF ; ON | ON | | | 107 |
| 11513 | Pulse value | 5 | 0.1 ... 1000.0 | 10.0 | l | | 112 |
| 11514 | Preset | 5 | OFF ; ON | OFF | | | 112 |
| 11609 | Low Y | 1, 2, 3, 4, 5, 6 | 0.0 ... 30.0 | 0.0 | Bar | | |
| 11610 | High Y | 1, 2, 3, 4, 5, 6 | 0.0 ... 30.0 | 20.0 | Bar | | |
| 12022 | P exercise | 1, 2, 3, 4, 5, 6 | OFF, 1 ... 200 | OFF | Sec | | 94 |
| 12023 | M exercise | 1, 2, 3, 4, 5, 6 | OFF ; ON | OFF | | | 103 |
| 12030 | Limit | 1, 2, 4, 5, 6 | 10 ... 120 | 60 | °C | | 76 |
| | - - | 3 | 10 ... 120 | 30 | °C | | |
| 12035 | Infl. - max. | 1, 2, 3, 4, 5, 6 | -9.9 ... 9.9 | 0.0 | | | 77 |
| 12036 | Infl. - min. | 1, 2, 3, 4, 5, 6 | -9.9 ... 9.9 | 0.0 | | | 77 |
| 12037 | Adapt. time | 1, 2, 3, 4, 5, 6 | OFF, 1 ... 50 | 25 | Sec | | 77 |
| 12040 | P post-run | 6 | 0 ... 99 | 3 | Min | | |
| 12077 | P frost T | 1, 2, 3, 4, 5, 6 | OFF, -10 ... 20 | 2 | °C | | 104 |
| 12078 | P heat T | 1, 2, 3, 4, 5, 6 | 5 ... 40 | 20 | °C | | 104 |
| 12085 | Priority | 1, 2, 3, 4, 5, 6 | OFF ; ON | OFF | | | 78 |
| 12093 | Frost pr. T | 1, 2, 3, 4, 5, 6 | 5 ... 40 | 10 | °C | | 104 |
| 12109 | Input type | 1, 2, 3, 4, 5, 6 | EM1 ; EM2 ; EM3 ; EM4 ; EM5 ; OFF | OFF | | | 80 |
| 12111 | Limit | 1, 2, 3, 4, 5, 6 | 0.0 ... 999.9 | 999.9 | | | 80 |
| 12112 | Adapt. time | 1, 2, 3, 4, 5, 6 | OFF, 1 ... 50 | OFF | Sec | | 81 |
| 12113 | Filter constant | 1, 2, 3, 4, 5, 6 | 1 ... 50 | 10 | | | 81 |

Operating Guide ECL Comfort 310, application A368

| ID | Parameter Name | A368.x | Setting range | Factory | Unit | Own settings | |
|-------|------------------|------------------|--|---------|------|--------------|---------------------|
| 12115 | Units | 1, 2, 3, 4, 5, 6 | ml, l/h ; l, l/h ; ml, m3/h ; l, m3/h ; Wh, kW ; kWh, kW ; kWh, MW ; MWh, MW ; MWh, GW ; GWh, GW | ml, l/h | | | 81 |
| 12122 | Day: | 1, 2, 3, 4, 5, 6 | 0 ... 127 | 0 | | | |
| 12123 | Start time | 1, 2, 3, 4, 5, 6 | 0 ... 47 | 0 | | | |
| 12124 | Duration | 1, 2, 3, 4, 5, 6 | 10 ... 600 | 120 | Min | | |
| 12125 | Desired T | 1, 2, 3, 4, 5, 6 | OFF, 10 ... 110 | OFF | °C | | |
| 12141 | Ext. input | 1, 2, 6 | OFF ; S1 ; S2 ; S3 ; S4 ; S5 ; S6 ; S7 ; S8 ; S9 ; S10 | OFF | | | 105 |
| | - - | 3, 4, 5 | OFF ; S1 ; S2 ; S3 ; S4 ; S5 ; S6 ; S7 ; S8 ; S9 ; S10 ; S11 ; S12 | OFF | | | |
| 12142 | Ext. mode | 1, 2, 3, 4, 5, 6 | COMFORT ; SAVING ; FROST PR. | COMFORT | | | 105 |
| 12147 | Upper difference | 1, 2, 3, 4, 5, 6 | OFF, 1 ... 30 | OFF | K | | 115 |
| 12148 | Lower difference | 1, 2, 3, 4, 5, 6 | OFF, 1 ... 30 | OFF | K | | 116 |
| 12149 | Delay | 1, 2, 3, 4, 5, 6 | 1 ... 99 | 10 | Min | | 116 |
| 12150 | Lowest temp. | 1, 2, 3, 4, 5, 6 | 10 ... 50 | 30 | °C | | 117 |
| 12173 | Auto tuning | 1, 2, 3, 4, 5, 6 | OFF ; ON | OFF | | | 90 |
| 12174 | Motor pr. | 1, 2, 3, 4, 5, 6 | OFF, 10 ... 59 | OFF | Min | | 91 |
| 12177 | Temp. min. | 1, 2, 3, 4, 5, 6 | 10 ... 150 | 10 | °C | | 71 |
| 12178 | Temp. max. | 1, 2, 3, 4, 5, 6 | 10 ... 150 | 90 | °C | | 71 |
| 12184 | Xp | 1, 2, 3, 4, 5, 6 | 5 ... 250 | 40 | K | | 91 |
| 12185 | Tn | 1, 2, 3, 4, 5, 6 | 1 ... 999 | 20 | Sec | | 91 |
| 12186 | M run | 1, 2, 3, 4, 5, 6 | 5 ... 250 | 20 | Sec | | 92 |
| 12187 | Nz | 1, 2, 3, 4, 5, 6 | 1 ... 9 | 3 | K | | 92 |
| 12189 | Min. act. time | 1, 2, 3, 4, 5, 6 | 2 ... 50 | 3 | | | 92 |
| 12310 | Retry time | 1, 2, 3, 4, 5 | OFF, 1 ... 99 | 20 | Min | | 94 |
| 12311 | Change, duration | 1, 2, 3, 4, 5 | 1 ... 10 | 2 | | | 94 |
| 12312 | Change time | 1, 2, 3, 4, 5 | 0 ... 23 | 12 | | | 95 |
| 12313 | Stab. time | 1, 2, 3, 4, 5 | 1 ... 99 | 15 | Sec | | 95 |
| 12314 | Chan.-over time | 1, 2, 3, 4, 5 | OFF, 1 ... 99 | 5 | Sec | | 95 |
| 12315 | Circ. pumps | 1, 2, 3, 4, 5 | OFF ; ON | OFF | | | 117 |
| 12500 | Send desired T | 1, 2, 3, 4, 5, 6 | OFF ; ON | ON | | | 107 |
| 12609 | Low Y | 3, 4 | 0.0 ... 30.0 | 0.0 | Bar | | |
| 12610 | High Y | 3, 4 | 0.0 ... 30.0 | 20.0 | Bar | | |



Operating Guide ECL Comfort 310, application A368



Danfoss A/S

Climate Solutions • danfoss.com • +45 7488 2222

Any information, including, but not limited to information on selection of product, its application or use, product design, weight, dimensions, capacity or any other technical data in product manuals, catalogues descriptions, advertisements, etc. and whether made available in writing, orally, electronically, online or via download, shall be considered informative, and is only binding if and to the extent, explicit reference is made in a quotation or order confirmation. Danfoss cannot accept any responsibility for possible errors in catalogues, brochures, videos and other material. Danfoss reserves the right to alter its products without notice. This also applies to products ordered but not delivered provided that such alterations can be made without changes to form, fit or function of the product.

All trademarks in this material are property of Danfoss A/S or Danfoss group companies. Danfoss and the Danfoss logo are trademarks of Danfoss A/S. All rights reserved.