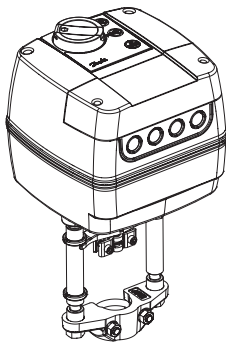


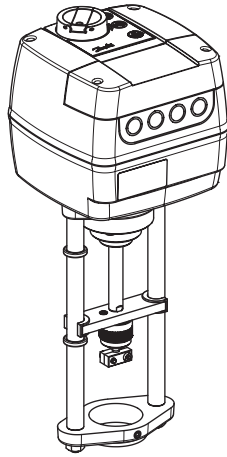
Operating Guide

NovoCon® L/XL / 73690670

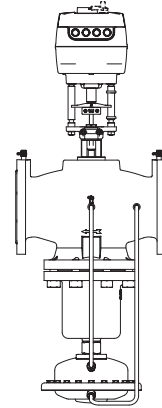
NovoCon® L/XL



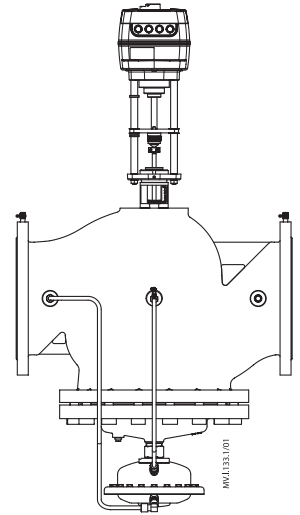
NovoCon® L / SU / SD



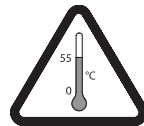
NovoCon® XL



NovoCon® L / SU / SD
AB-QM DN 125 - 150HF

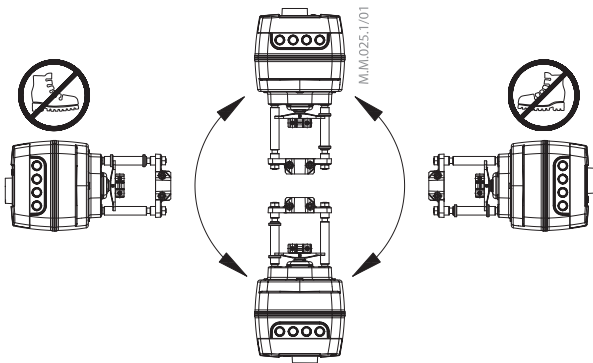


NovoCon® XL
AB-QM DN 200 - 250HF

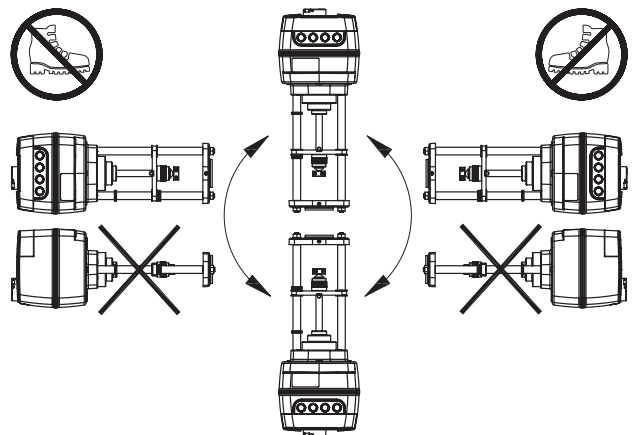


MAINTENANCE
FREE

5-95 % RH
no condensing



NovoCon® L

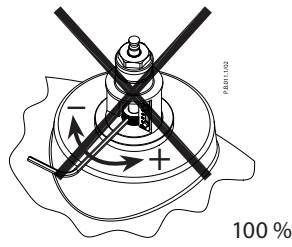


NovoCon® XL

NovoCon® L/XL

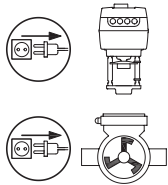
1 DN 125 - 250

NO presetting!

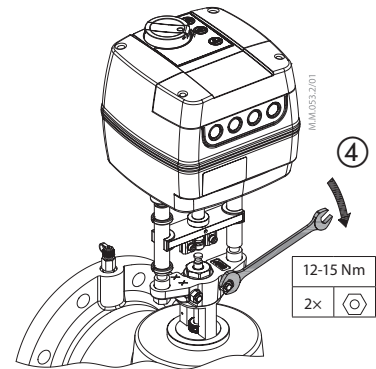
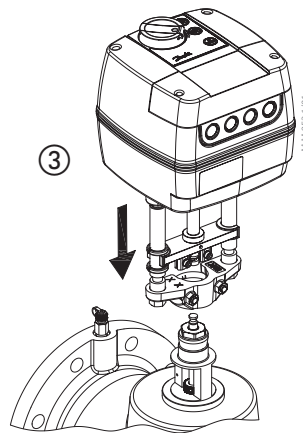
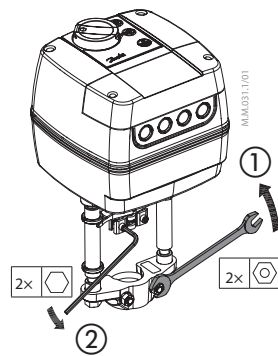
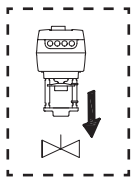


2

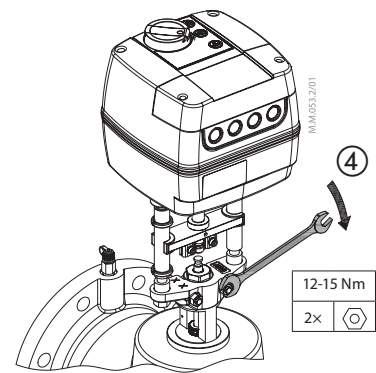
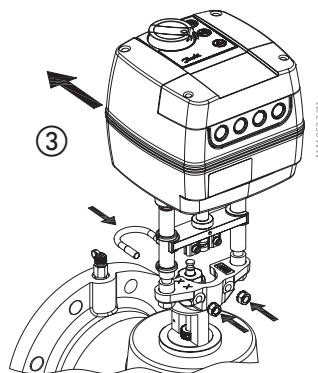
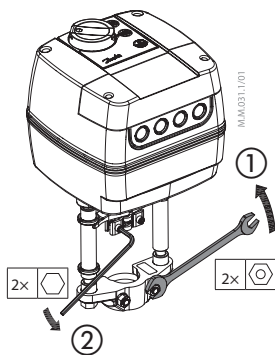
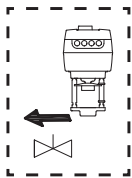
A



	= AUTO		
	=	13 mm	4 mm



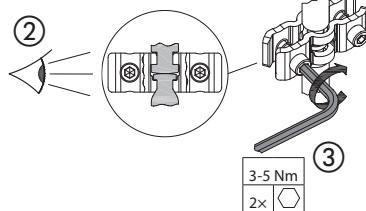
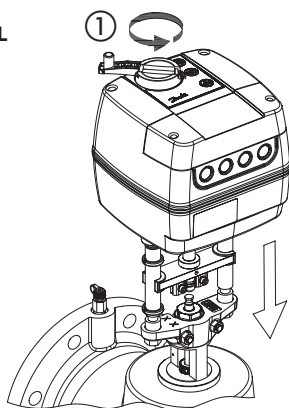
B



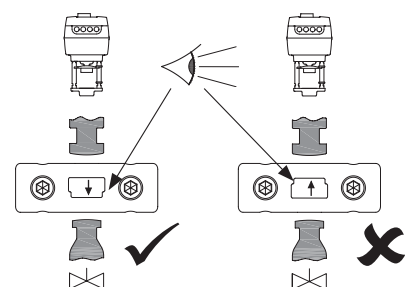
3

A

NovoCon® L

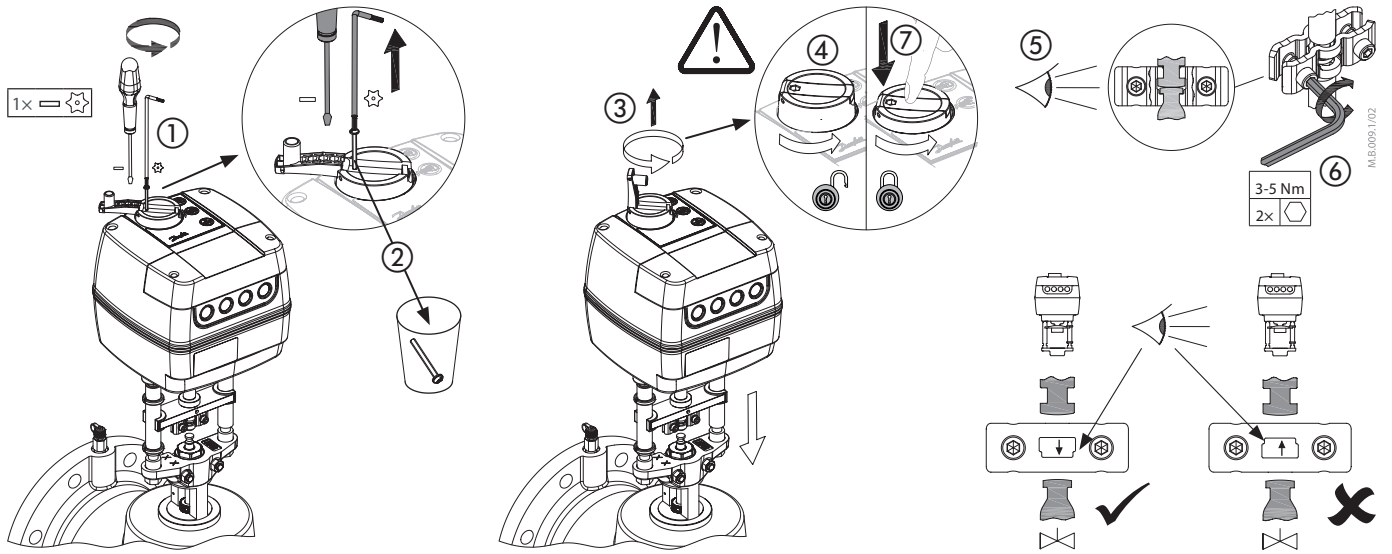


	= AUTO			
	=	3,5 - 4,5 mm x 0,7mm	4 mm	T 10

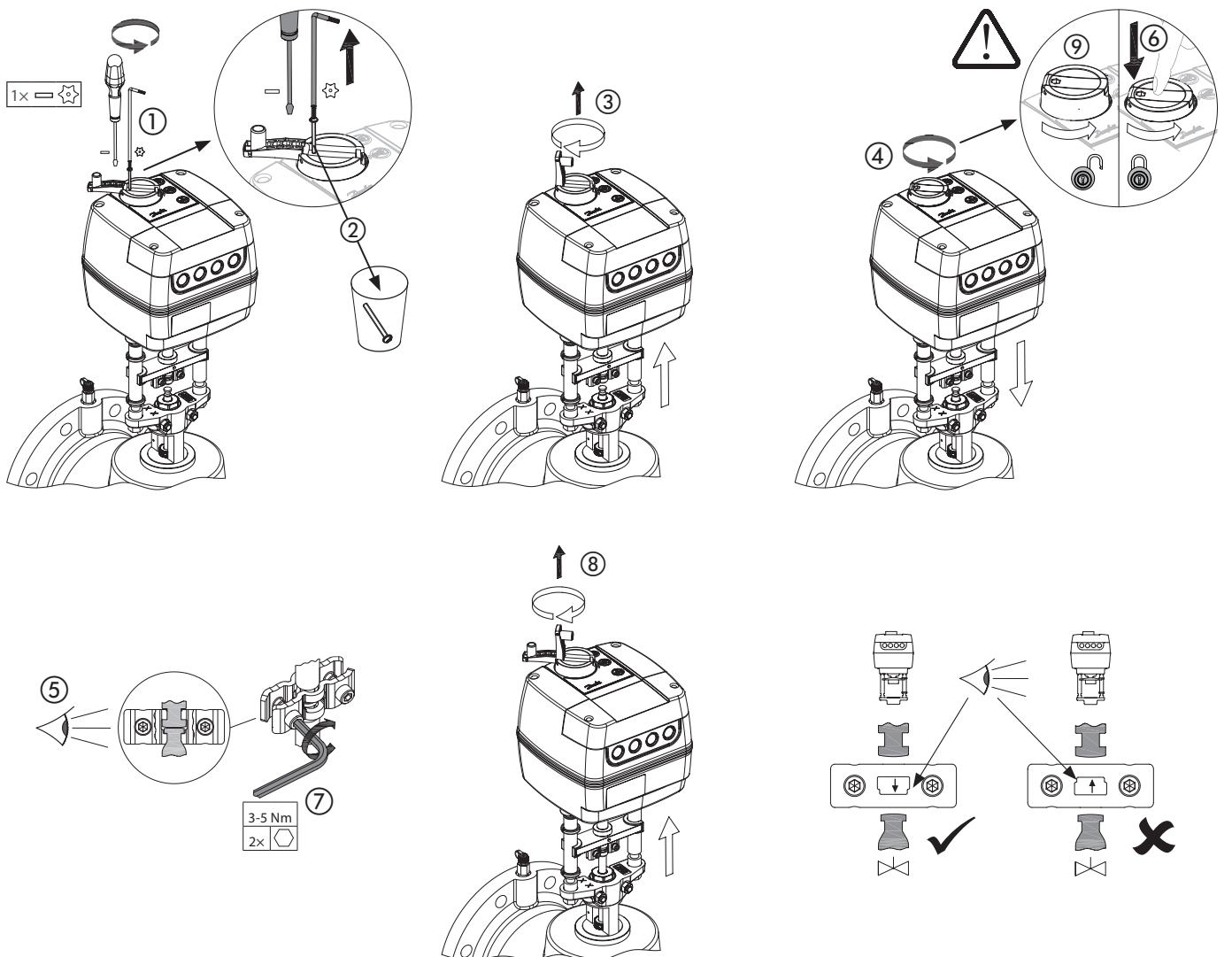


NovoCon® L/XL

B NovoCon® LSD

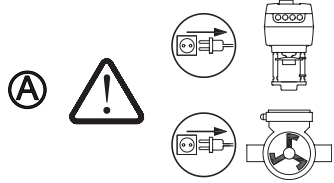


C NovoCon® LSU

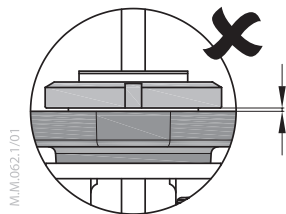
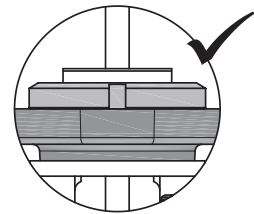
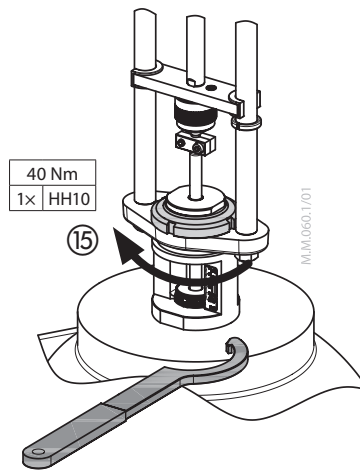
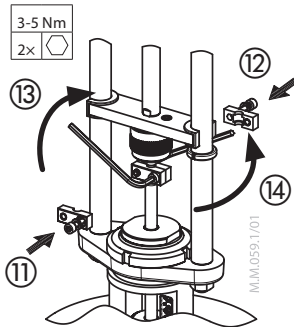
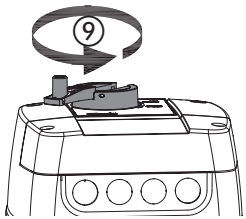
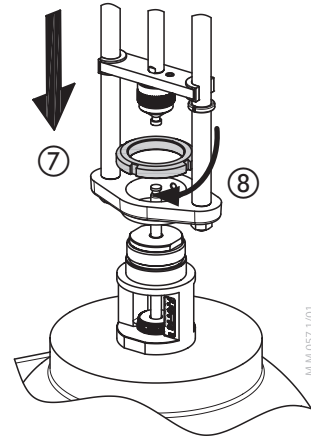
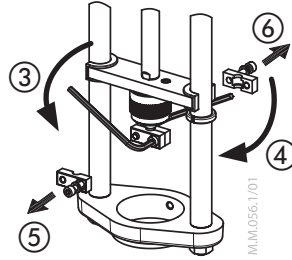
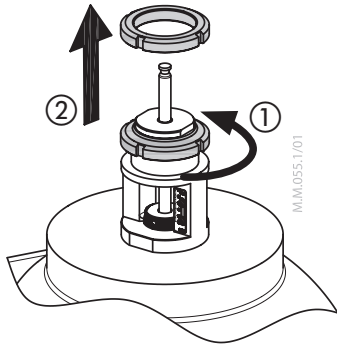


NovoCon® L/XL

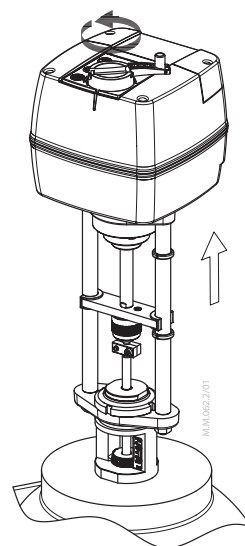
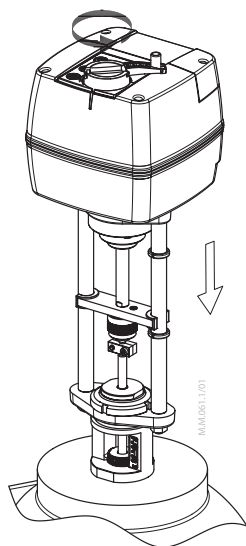
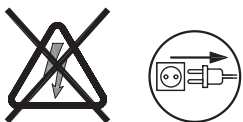
4 NovoCon® XL



	= AUTO		
	=		
		HN 10	5 mm

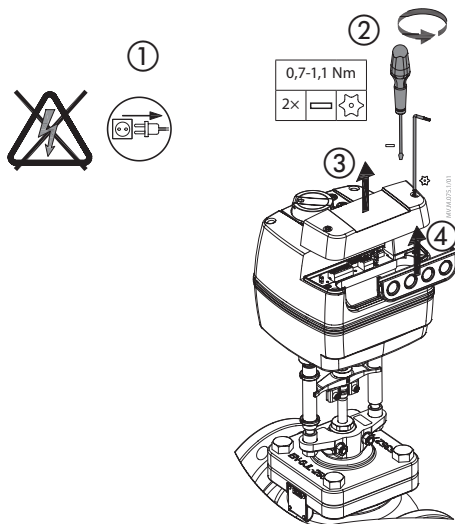


5 NovoCon® XL

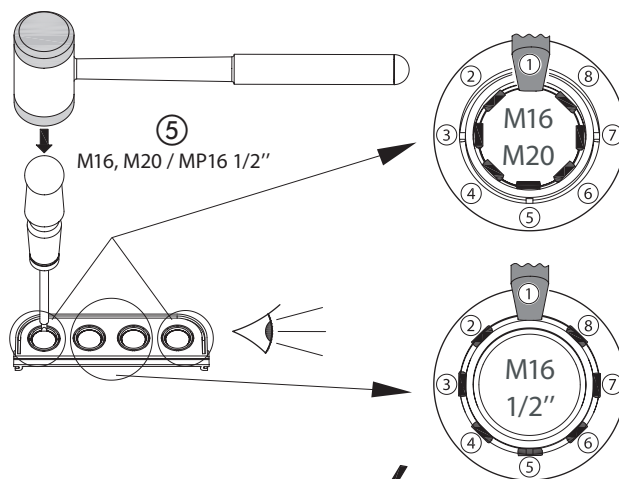


NovoCon® L/XL

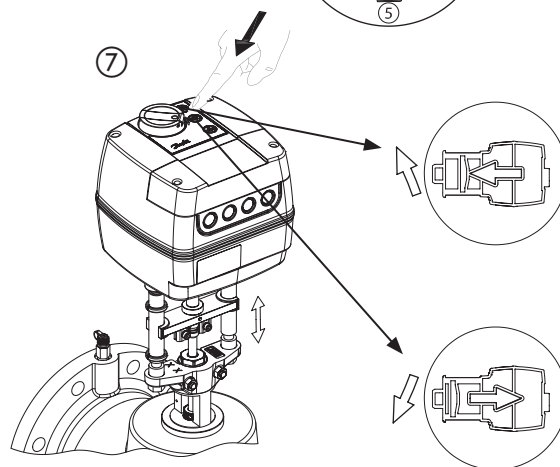
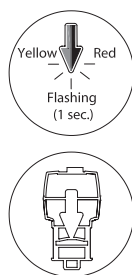
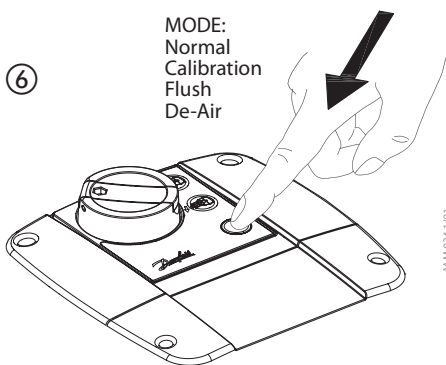
6



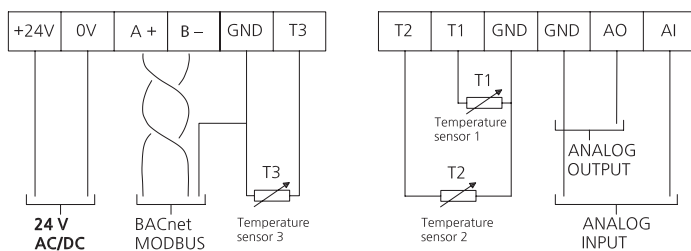
	= AUTO		
	=	3,5-4,5 mm x 0,7 mm	T 10



6

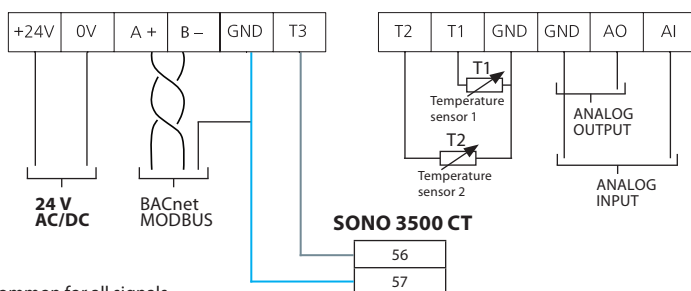


7



GND is common for all signals

8 Optional step (connecting flow sensor)

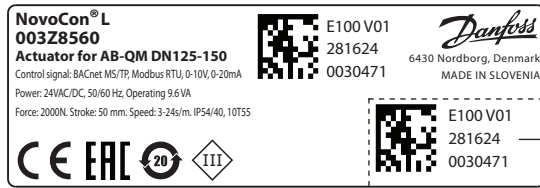


GND is common for all signals

Terminal Nr.	Description
56	Volume pulse output (+)
57	Ground (-)

NovoCon® L/XL

9

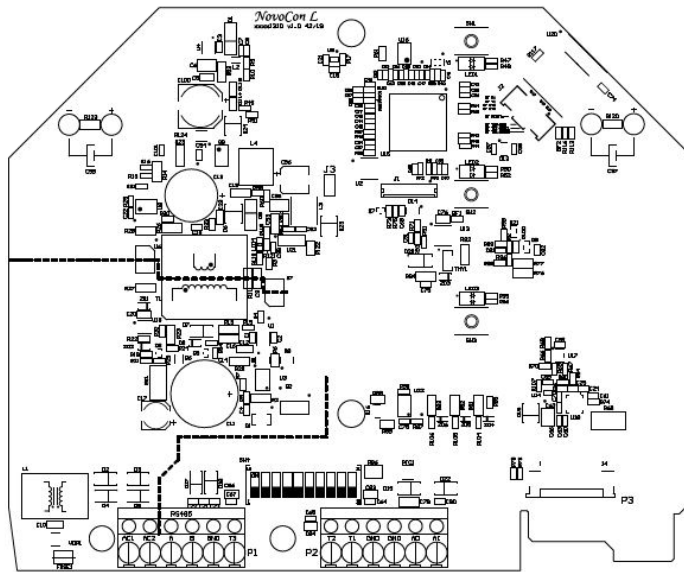


Serial number and QR code can be removed from the NovoCon® L/XL label and added to installation drawing.



Device Object Instance Number

10

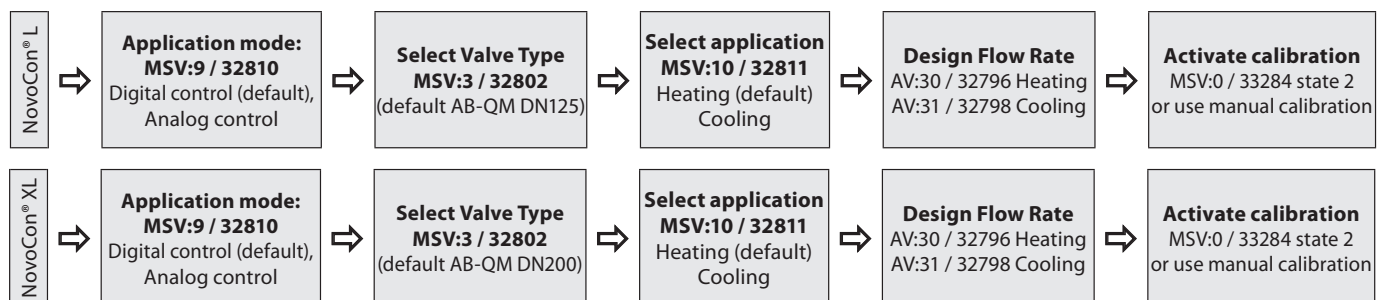


DIP Switch



Dip switches for addressing and bus protocol selection are located under the lid of the actuator. DIP Switches 1 to 7 are used to assign the MAC address manually. Default MAC address assignment method is Auto MAC addressing for BACnet MS/TP and DIP Switches for Modbus RTU. For termination of last unit on the field bus, turn DIP Switch 8 ON. Dip switch 9 is not used. Dip switch 10 is used to select between BACnet MS/TP (OFF=Default) and Modbus RTU (ON). When the protocol is changed on DIP Switch 10, a power cycle is required.

11 Initial configuration



12

Safety Note



To avoid injury and damage to persons and devices, it is absolutely necessary these instructions are carefully read and observed prior to assembly and commissioning. Necessary assembly, start-up, and maintenance work must be performed only by qualified, trained and authorised personnel. Switch off the pump and the power line before mounting and wiring the actuator.

Safety Note



Connect via safety isolating transformer. Galvanic separations shall be provided for segments crossing buildings.

Safety Note



If the NovoCon® L/XL network is supplied with two or more AC power boosters, caution must be observed when disconnecting one of the transformers from the high voltage power line. As the NovoCons may be connected in a daisy chain, there may be high voltage on the primary side of the disconnected power supply. Disconnect always both the primary and secondary side of the transformer.

Firmware update

We recommend to validate the firmware version before installation. The latest firmware can be downloaded at www.novocon.com by selecting the tab: Support files.



NovoCon® L/XL

Part Name	Hazardous Substances Table					
	Lead (Pb)	Mercury (Hg)	Cadmium (Cd)	Hexavalent Chromium (Cr(VI))	Polybrominated biphenyls (PBB)	Polybrominated diphenyl ethers (PBDE)
Motor	X	O	O	O	O	O
O: Indicates that this hazardous substance contained in all of the homogeneous material for this part is below the limit requirement in GB/T 26572;						
X: Indicates that this hazardous substance contained in at least one of the homogeneous material for this part is above the limit requirement in GB/T 26572;						

ІМПОРТЕР:

UA: ТОВ з ІІ «Данфосс ТОВ», вул. Вікентія Хвойки, 15/15/6, м. Київ, 04080, Україна

Danfoss A/S

Climate Solutions • danfoss.com • +45 7488 2222

Any information, including, but not limited to information on selection of product, its application or use, product design, weight, dimensions, capacity or any other technical data in product manuals, catalogues descriptions, advertisements, etc. and whether made available in writing, orally, electronically, online or via download, shall be considered informative, and is only binding if and to the extent, explicit reference is made in a quotation or order confirmation. Danfoss cannot accept any responsibility for possible errors in catalogues, brochures, videos and other material. Danfoss reserves the right to alter its products without notice. This also applies to products ordered but not delivered provided that such alterations can be made without changes to form, fit or function of the product.
All trademarks in this material are property of Danfoss A/S or Danfoss group companies. Danfoss and the Danfoss logo are trademarks of Danfoss A/S. All rights reserved.