

## Datasheet

# GX Contactor Panel

## For snow and ice melting applications

### General Information



The Danfoss Contactor Panel is primarily designed for snow and ice melting applications. NEC and local codes requirements. The panel can be activated by a Danfoss GX850, DS-2C, DS-5C, DS-8C or another type of controller.

- Low cost
- Simple installation
- NEMA 1, UL listed enclosure
- A LED heat on indicator
- Pre-wired terminal connections
- 120V on/off remote heat indication
- Four hour timer

### Technical Data

<b>Power Voltage Range:</b>	208V - 600V
<b>Max. Heating Load:</b>	100A/200A
<b>Control Voltage:</b>	120V
<b>Enclosure Type:</b>	NEMA 1
<b>Mounting:</b>	Wall mounted, indoors
<b>Dimensions: (HxWxD):</b>	12" x 10" x 5"
<b>Timer Override:</b>	4 Hours

### Ordering Information

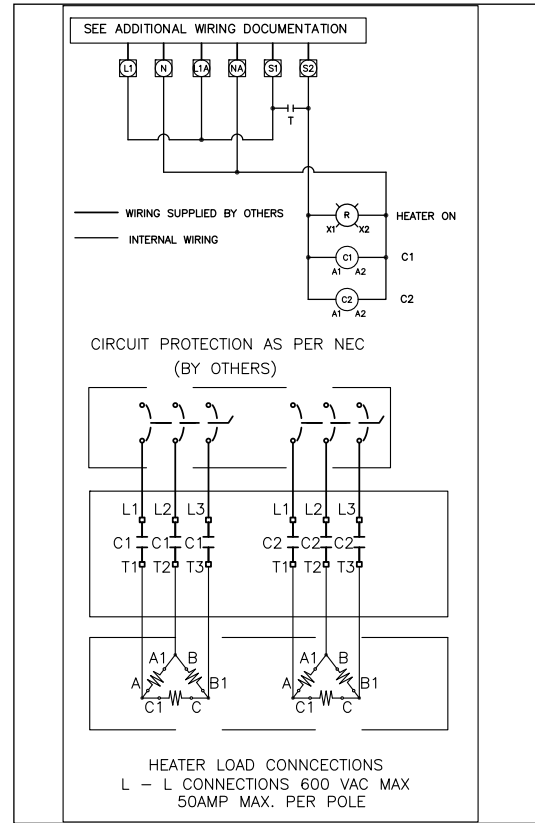
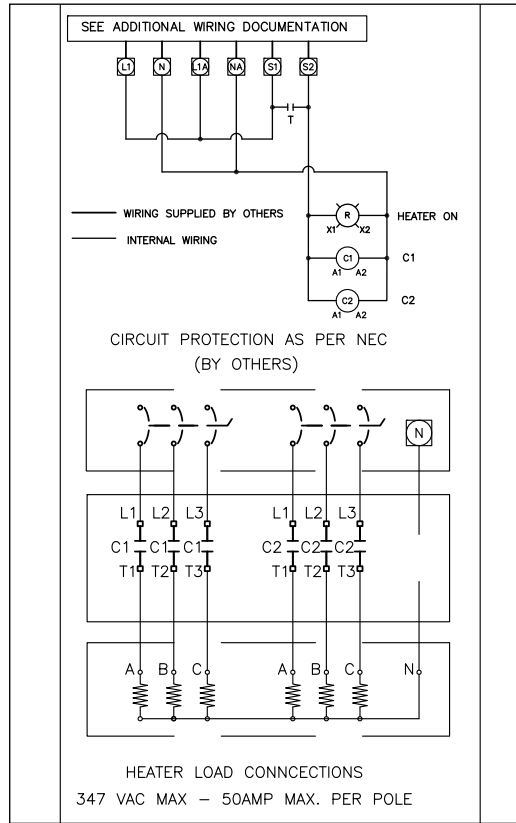
Part No.	Description	No. of Contactors
<b>088L3436</b>	GX 100A Panel Enclosure 4hr timer, 2-3P CS	2
<b>088L3437</b>	GX 200A Panel Enclosure 4hr timer, 4-3P CS	4



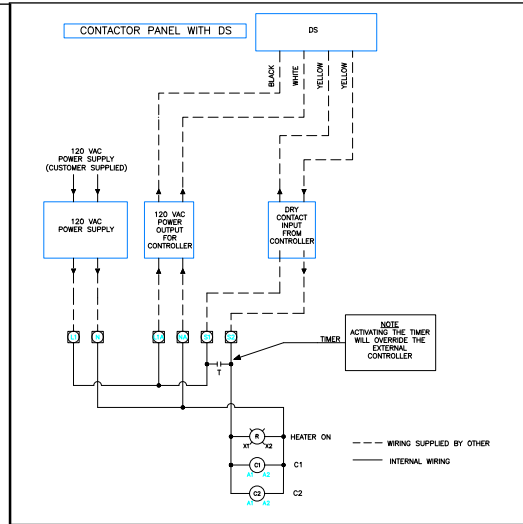
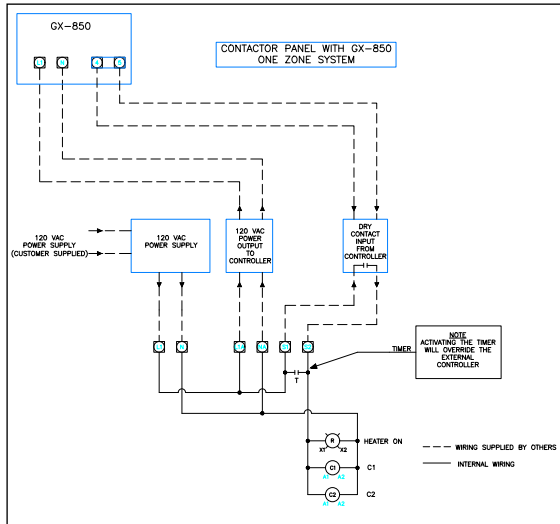
**GX Contactor Panel**

**Typical Wiring Diagrams**

**Left:** Simplified single phase connected heating cables.  
**Right:** Simplified three phase connected heating cables.



**Typical Installation Diagrams**



**Warranty**

Danfoss offers a two year limited warranty covering defects in workmanship and materials.

**Technical Services**

For technical questions, please contact Danfoss Heating Division North America at 1-888-DANFOSS (1-888-326-3677). More information on Danfoss Electric Heating products is available at [www.LX.Danfoss.com](http://www.LX.Danfoss.com).

Danfoss can accept no responsibility for possible errors in catalogs, brochures, other printed materials, and website information. Danfoss reserves the right to alter its products without notice. This also applies to products already on order provided that such alteration can be made without subsequent changes being necessary in specifications already agreed upon. All trademarks in this material are property of the respective companies. Danfoss and Danfoss logotype are trademarks of Danfoss A/S. All rights reserved.