

Installation Guide

Optyma™ control

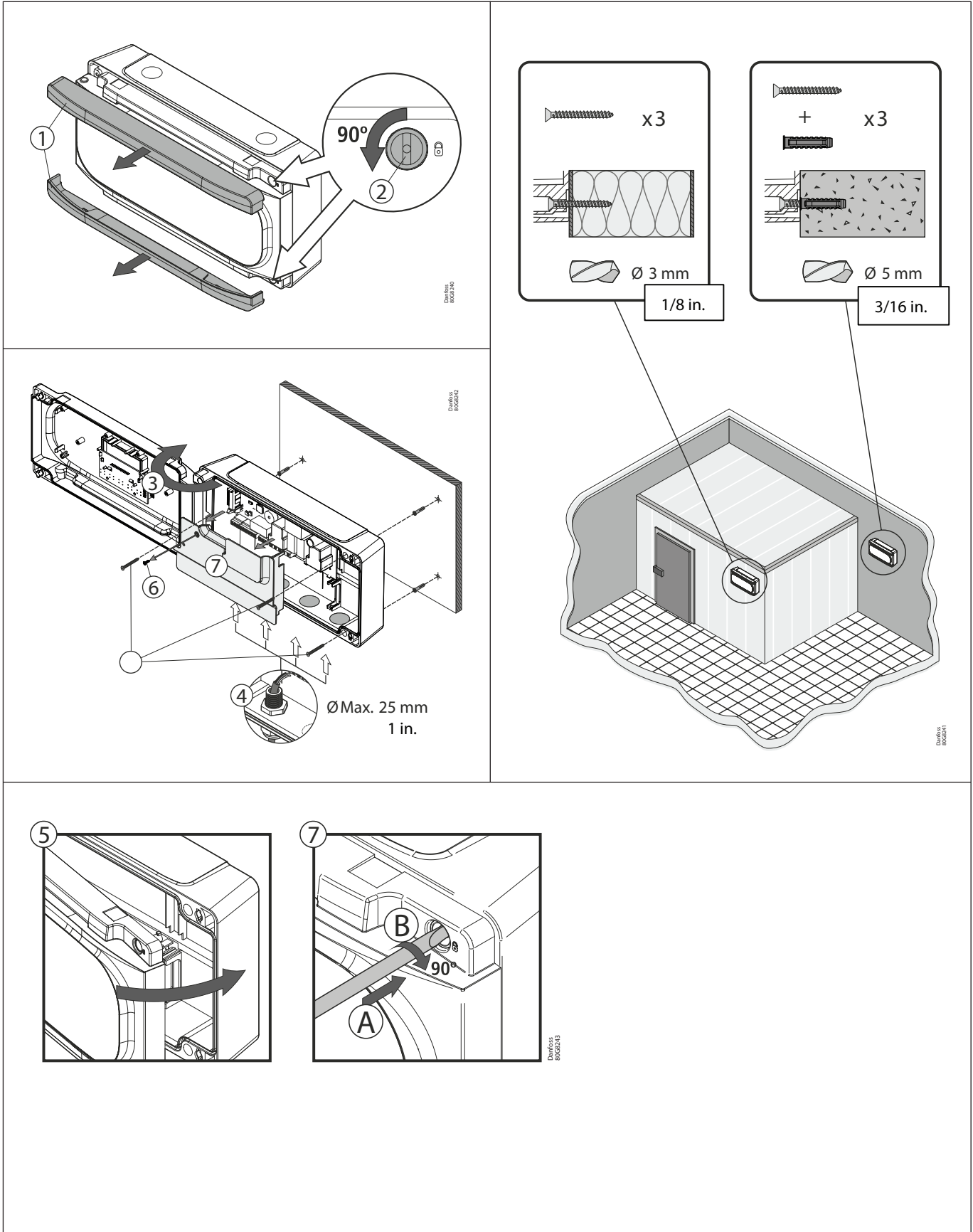
AK-RC Single Phase mounting kit

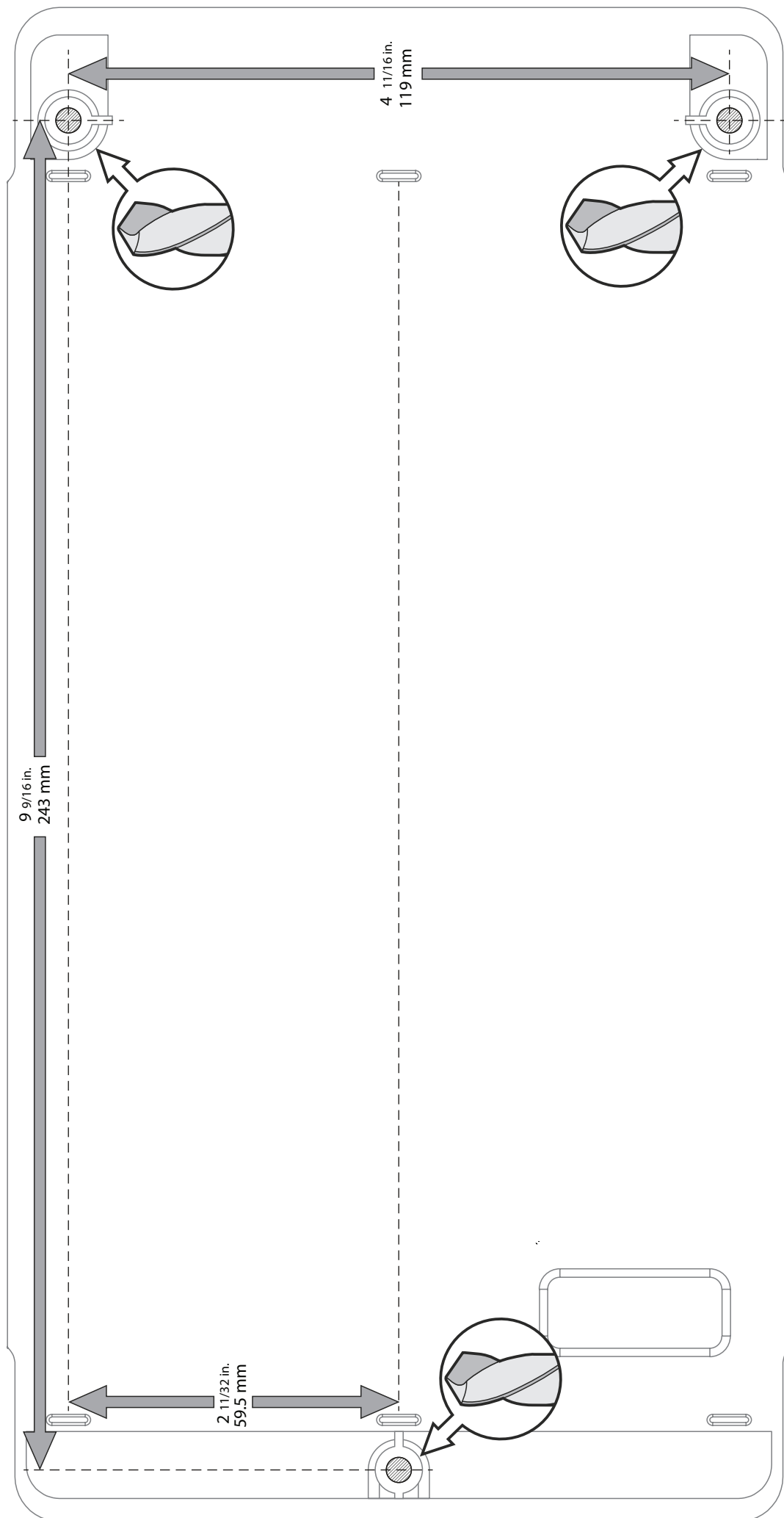


084R8064



AN370611318819en-000201





Note: Make sure your printer is set to ACTUAL SIZE when printing.