

Installation guide

ELIMINATOR® Hermetic filter drier Type DML / DMLE / DCL / DCLE

023R9514

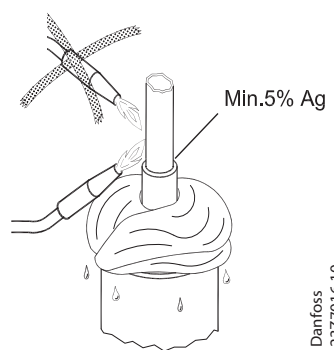
023R9514

Refrigerants: A1: R134a, R404A, R407C, R507, R22, R410A. A2L: R32, R444B, R452B, R454B, R1234yf. A3: R290, R600a. For other refrigerants, please contact Danfoss representative.	Temperature range: T _{min} : -40 °C / -40 °F T _{max} : 70 °C / 160 °F
---	--

Connector type	Filter size (cu.in)	Connector size (DML/DCL)	PS / MWP
Solder pure copper	DML/DCL: 1.5, 03, 05, 08,16, 30, 38, 60. DMLE/DCLE: 1.5, 03, 05, 08,16, 30, 60	DML/DCL: 1/4" - 1 1/8" ODM / ODF DMLE/DCLE: 1/4" - 1 1/8" ODF"	DML/DCL : 46 bar (667 psig) DMLE/DCLE : 50 bar (725 psig)
	DML/DMLE/DCL/DCLE: 41 cu.in	DML/DCL: 1/2 - 5/8" ODF DMLE/DCLE: 1/2 - 1 1/8" ODF	
	DML/DMLE/DCL/DCLE: 75 cu.in	DML/DCL: 3/4" - 1 1/8" ODM / ODF DMLE/DCLE: 7/8" - 1 1/8" ODF	DML/DCL : 35 bar (500 psig) DMLE/DCLE : 50 bar (725 psig)
Solder Cu-plated	DML/DMLE/DCL/DCLE: 3 to 60 cu.in	DML/DCL: 1/4" - 1 1/8" ODM / ODF DMLE/DCLE: 1/4" - 1 1/8" ODF	DML/DCL : 46 bar (667 psig) DMLE/DCLE : 50 bar (725 psig)
	DML/DMLE/DCL/DCLE: 75 cu.in	DML/DCL: 7/8" - 1 1/8" ODF DMLE/DCLE: 7/8" - 1 1/8" ODF	
Flare, Flare O-ring and Face seal	DML/DCL: 3 to 60 cu.in DMLE/DCLE: 05, 08 cu.in	DML/DCL: 1/4" - 3/4" DMLE/DCLE: 1/4" ; 3/8"	DML/DCL : 46 bar (667 psig) DMLE/DCLE : 50 bar (725 psig) A3 Refrigerants shall not be used

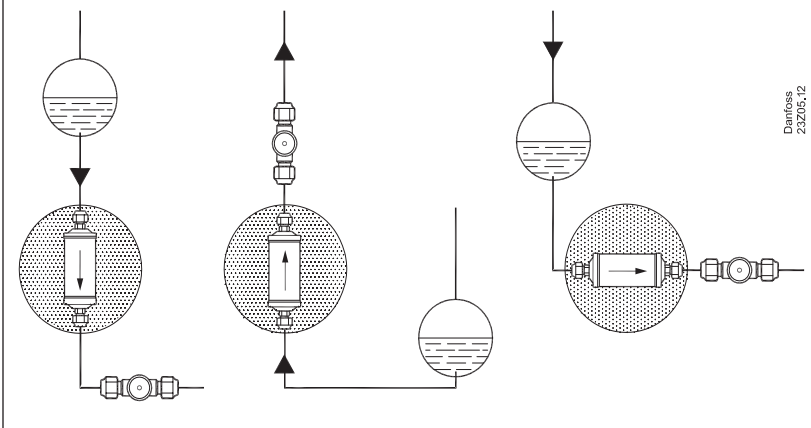
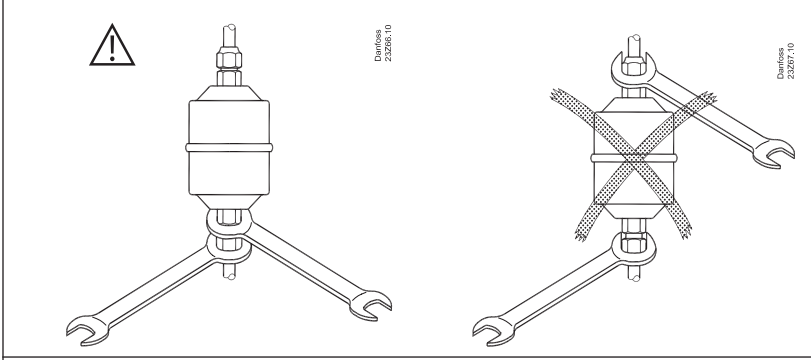
! Solder connectors (cu-plated / pure copper) with a diameter below 25 mm are approved for A3 refrigerants.
 Connection sizes below 25mm are approved for A2L.
 Filter size of 75 cu.in shall not be used with A3 refrigerants.

! Keep flames away from body



Danfoss
23Z7016.10

- Customer best practices will still be needed:
- *Use wet wrap when installing.
 - *Brazing the joints
 - *Let them cool down
 - *Clean the welding area after the installation (remove remaining flux with a brush)
 - *This is an important operation and needs to be done with great care to remove all remaining flux.
 - *Paint/Anti-corrosive needs to cover all open steel parts, areas where the black original paint has been burnt due to brazing and at least 3 cm approx of the copper tube
 - *Paint the joints twice



Danfoss
23Z05.12