

Data Sheet

Danfoss Char-Lynn®

TRB Motor with Brake

For more than 40 years, Danfoss has been developing state-of-the-art components and systems for compact construction machinery used in off-highway operations around the world. Mini-excavators in particular are becoming more diverse and demanding in terms of function, productivity and maneuverability.

The Danfoss Char-Lynn® TRB orbital track motor with brake expands the offering of tailored solutions designed for mini-excavators up to 2.0T. This direct drive track motor combines proven technology with innovative features such as automatic two-speed mode and an integrated parking brake.

Parking brake option

Danfoss Char-Lynn® TRB motor is now available with a spring-applied pressure release parking brake. Compact brake released by the motor inlet pressure, fits typical crawler width.

Thanks to stable brake torque throughout entire life of the machine, TRB motor allows secure and precise digging operation.

Solution optimized for track applications

The Danfoss Char-Lynn® TRB orbital track motor offers all the features required for a compact direct drive application. This includes integrated counterbalance valves, unique Geroler® profile for load holding, higher efficiency and low slip performance.

Orbital low speed high torque Danfoss Char-Lynn® technology secure low maintenance and a patented two speed technology allowing for very high starting and overall efficiency and low noise.

Modularity and flexibility

The new Danfoss Char-Lynn® TRB track motor feature standard and high-pressure versions, standard and large mounting flanges and optional parking brake for better flexibility in responding to customer specific preference.



Features

- Unique ring rotation orbital design
- Compact direct drive - no reduction gear oil to maintain
- Low noise thanks to low-speed orbital technology
- Auto-two speed feature
- 1080Nm integral mechanical parking brake
- Unique Geroler® profile for load holding, higher efficiency and low slip performance
- Low leakage design
- Integrated counterbalance valve
- Excellent Slow Speed Characteristics
- Soft releasing brake thanks to load holding
- No Sensitivity to cavitation

Applications

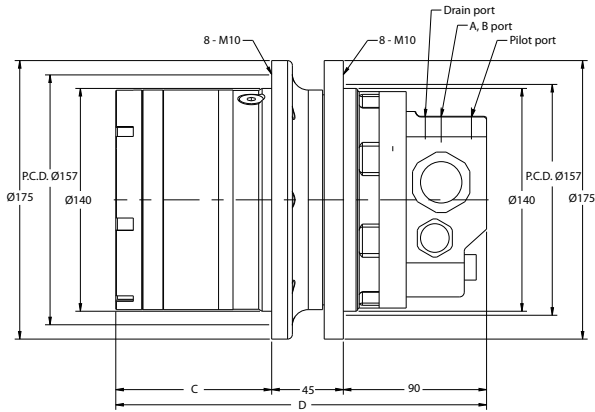
- Mini excavator up to 2 ton
- Undercarriage
- Dumper
- AWP

Specifications

Model	Max Pressure Bar [psi]		Max torque N-m		Displacement cc/rev		Motor max speed rpm		Max Flow l/m	Parking brake torque N-m	Auto two speed	Mounting flange
	STD	HP	STD	HP	Low	High	Low	High				
TRB*20	167 [2422]	-	656	-	200	-	80	-	15	1080	Option	Standard
TRB*31	206 [2988]	240 [3480]	1020	1162	311	155	64	100	20			
TRB*35	206 [2988]	240 [3480]	1151	1312	350	175	57	100				
TRB*39	206 [2988]	240 [3480]	1282	1461	390	195	51	100				
TRB*44	206 [2988]	240 [3480]	1446	1649	440	220	45	91				
TRB*49	206 [2988]	240 [3480]	1610	1836	490	245	41	82				Standard/ Large

Dimensions

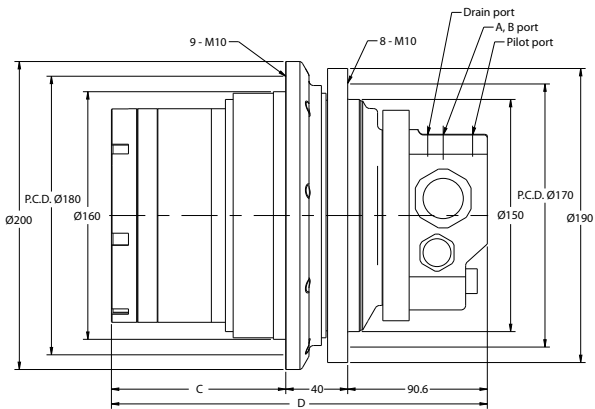
TRB standard mount



TRB standard mount variable dimensions

Type	C (mm)	D (mm)
TRB31	97.9	232.9
TRB35	102.5	237.5
TRB39	106.7	241.7
TRB44	112.2	247.2
TRB49	117.8	252.8

TRB large mount



TRB large mount variable dimensions

Type	C (mm)	D (mm)
TRB39	121.4	252
TRB44	126.9	257.5
TRB49	132.5	263.1

Danfoss can accept no responsibility for possible errors in catalogues, brochures and other printed material. Danfoss reserves the right to alter its products without notice. This also applies to products already on order provided that such alterations can be made without subsequent changes being necessary in specifications already agreed. All trademarks in this material are property of the respective companies. Danfoss and the Danfoss logotype are trademarks of Danfoss A/S. All rights reserved.