

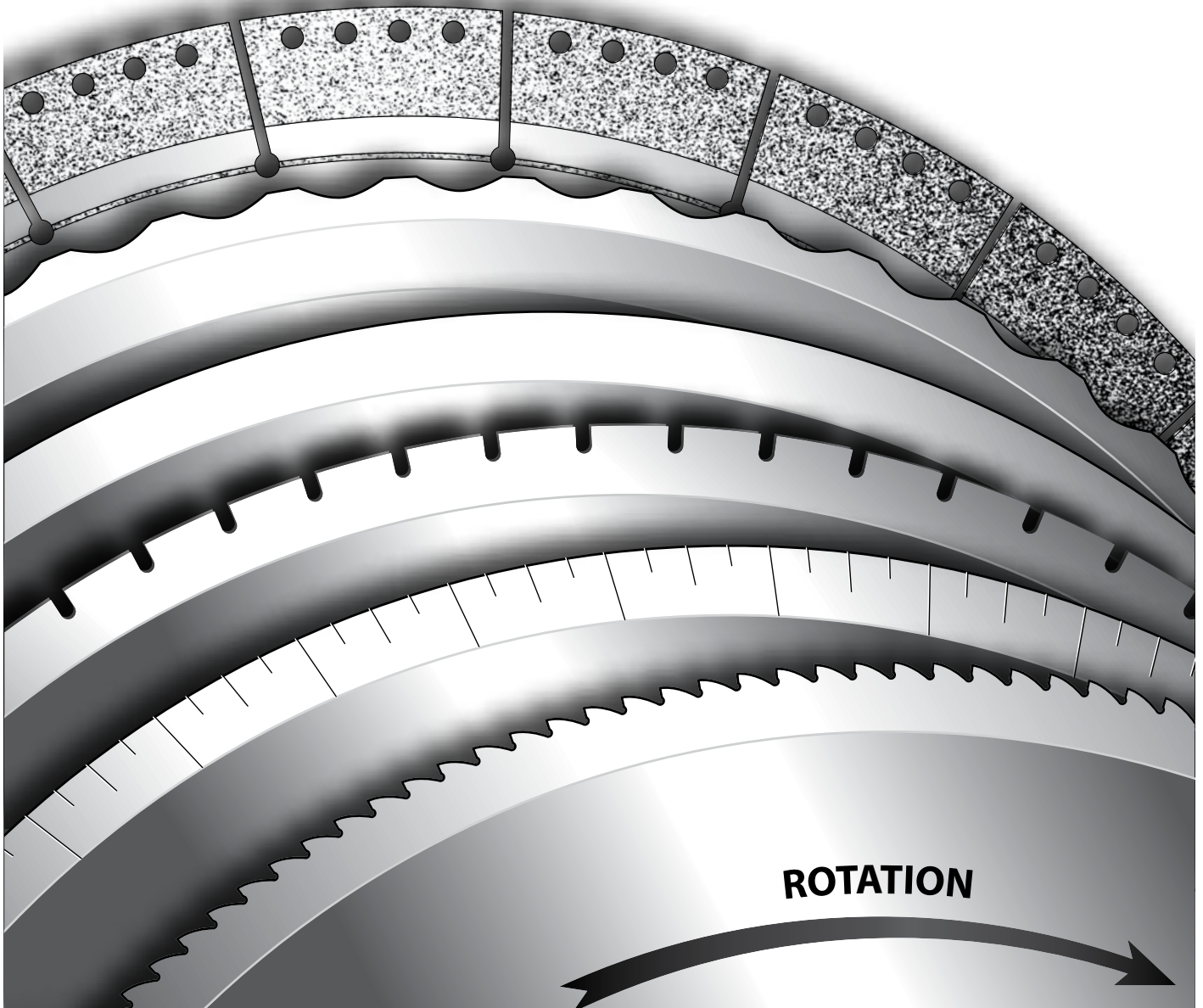
ENGINEERING
TOMORROW



North America

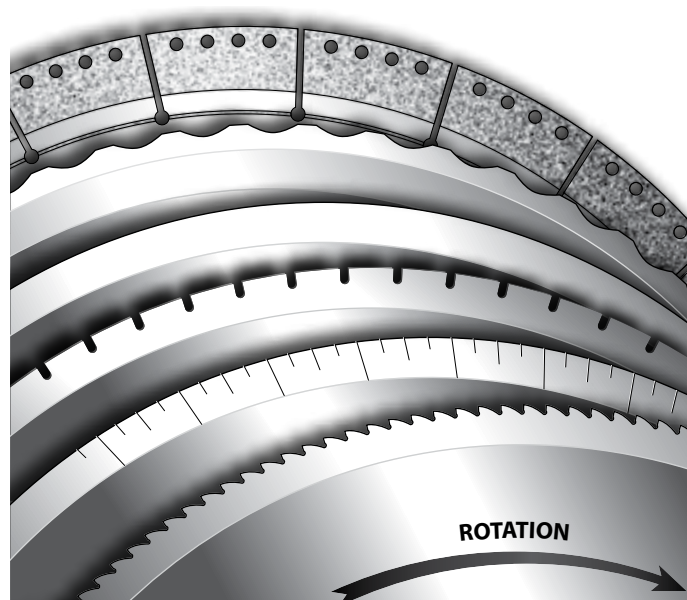
Danfoss

Hydraulic Hose Blades



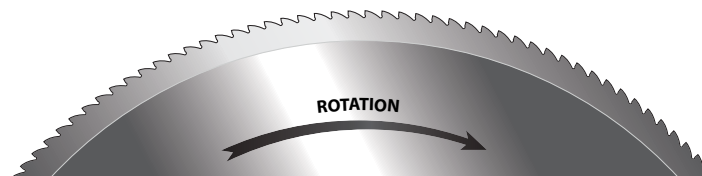
Introduction

Choosing the ideal blade for cutting hydraulic hose depends greatly on the saw you are using, the type of hose you are cutting and the production rates you require. Danfoss offers the following 6 types of blades designed to cut hydraulic hose. If you're not sure which is best suited to your application please call us for our recommendation. Danfoss blades are manufactured in: M-2, D-2, M-35, & High Speed Steels.



Advanced Scalloped Blade

Features advanced performance scalloped blade technology for cutting hydraulic spiral hose and wire helix hose resulting in cleaner cuts, faster cuts, no smoke, and longer blade life. Available in 6" to 14" sizes to fit Danfoss, Aeroquip, Custom Crimp, Gates, Goodyear, Imperial Eastman, Parker, Stratoflex, Toledo, and Weatherhead saws.



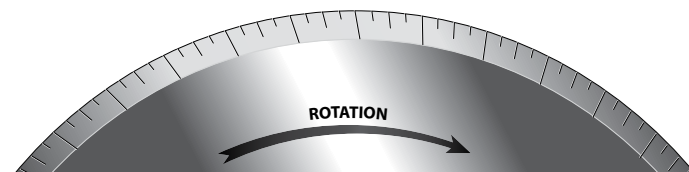
Model	Diameter	Thickness	Arbor	Danfoss Saw
ET9500C-06-AS	6"	.093"	5/8"	
ET9500C-07-AS	7"	.093"	5/8"	
ET9100C-07-AS	7"	.093"	3/4"	ET9100
ET9500C-08-AS	8"	.093"	5/8"	
ET9500C-10-AS	10"	.093"	3/4"	
ET9500C-10-1-AS	10"	.125"	1"	
ET9200C-10-AS	10"	.125"	40mm	ET9200
ET9500C-12-AS	12"	.125"	1"	
ET9500C-14-AS	14"	.125"	1"	
ET9300C-14-AS	14"	.160"	40mm	ET9300

Micro-Slotted Smooth Edge Hydraulic Hose Blade

Features “new” micro-slotted smooth edge blade technology combining the better finishes of a double bevel blade with the more aggressive performance of a slotted blade. This is our most universal blade grind and will give you two times longer blade life than smooth edge blades. Used for cutting spiral hose, industrial hose, Teflon, PTFE, Kevlar, and metal hose.

Available in 6” to 14” sizes to fit Danfoss, Aeroquip, Custom Crimp, Gates, Goodyear, Imperial Eastman, Parker, Stratoflex, Toledo, and Weatherhead saws.

Also available in 16” to 36” sizes to fit Hydros scand, Finn Power, Marken, O+P, Savage, Stone, Techmaflex and Uniflex saws.

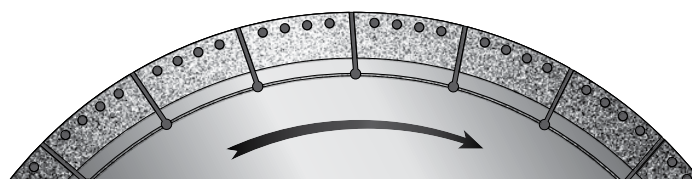


Model	Diameter	Thickness	Arbor	Danfoss Saw
ET9500C-06-MS	6”	.093”	5/8”	
ET9500C-07-MS	7”	.093”	5/8”	
ET9100C-07-MS	7”	.093”	3/4”	ET9100
ET9500C-08-MS	8”	.093”	5/8”	
ET9500C-10-MS	10”	.062”	5/8”	
ET9500C-10-1-MS	10”	.093”	3/4”	
ET9200C-10-1-MS	10”	.093”	40mm	ET9200
ET9500C-10-2-MS	10”	.125”	1”	
ET9200C-10-MS	10”	.125”	40mm	ET9200
ET9500C-12-MS	12”	.093”	1”	
ET9500C-12-1-MS	12”	.125”	1”	
ET9500C-14-MS	14”	.125”	1”	
ET9300C-14-MS	14”	.160”	40mm	ET9300
ET9500C-16-MS	16”	.160”	1”	
ET9500C-18-MS	18”	.160”	1”	
ET9500C-20-MS	20”	.160”	1”	
ET9500C-22-MS	22”	.160”	1”	
ET9500C-24-MS	24”	.160”	1”	
ET9500C-26-MS	26”	.160”	1”	

Diamond Hydraulic Hose Blade

Exclusively designed for cutting heavy 4 and 6 wire spiral hydraulic hoses. This diamond grinding technology cuts down by 60% the debris while cutting heavy hoses very quickly as opposed to using abrasive wheels. You will get a fantastic finish and make 5 – 10 second cuts in 2” hose.

Available in 10” & 14” diameters to fit Danfoss Hydraulic Hose Saws only.



Model	Diameter	Thickness	Arbor	Danfoss Saw
ET9200C-10-D	10”	.125”	40mm	ET9200
ET9300C-14-D	14”	.160”	40mm	ET9300

Smooth Beveled Edge Hydraulic Hose Blade

Smooth edge blade designed for the best finish when cutting light duty hoses like single wire braid, textile reinforced, Poly or Nylon reinforced and Teflon hoses.

Available in sizes 6" -36" to fit Danfoss, Aeroquip, Custom Crimp, Finn Power, Gates, Goodyear, Hydrosland, Imperial Eastman, Marken, O+P, Parker, Savage, Stone, Stratoflex, Techmaflex, Toledo, Uniflex and Weatherhead saws.

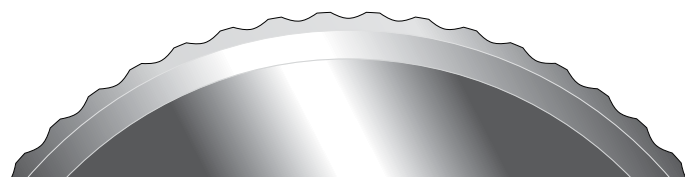


Model	Diameter	Thickness	Arbor	Danfoss Saw
ET9500C-07-SM	7"	.093"	5/8"	
ET9100C-07-SM	7"	.093"	3/4"	ET9100
ET9500C-08-SM	8"	.093"	5/8"	
ET9500C-10-SM	10"	.062"	5/8"	
ET9500C-10-1-SM	10"	.093"	3/4"	
ET9200-10-1-SM	10"	.093"	40mm	ET9200
ET9500C-10-2-SM	10"	.125"	1"	
ET9500C-10-2-SM	10"	.125"	40mm	ET9200
ET9500C-12-SM	12"	.093"	1"	
ET9500C-12-1-SM	12"	.125"	1"	
ET9500C-14-SM	14"	.125"	1"	
ET9300C-14-SM	14"	.160"	40mm	ET9300
ET9500C-16-SM	16"	.160"	1"	
ET9500C-18-SM	18"	.160"	1"	
ET9500C-20-SM	20"	.160"	1"	
ET9500C-22-SM	22"	.160"	1"	
ET9500C-24-SM	24"	.160"	1"	
ET9500C-26-SM	26"	.160"	1"	

Notched Scalloped Hydraulic Hose Blade

Notched scalloped blades are designed for rough duty cutting on spiral hose up to 6 wire.

Available in sizes 6"-14" to fit Danfoss, Aeroquip, Custom Crimp, Gates, Goodyear, Hydrosland, Imperial Eastman, O+P, Parker, Savage, Stone, Stratoflex, Toledo and Weatherhead.



Model	Diameter	Thickness	Arbor	Danfoss Saw
ET9500C-07-SC	7"	.093"	5/8"	
ET9100C-07-SC	7"	.093"	3/4"	ET9100
ET9500C-08-SC	8"	.093"	5/8"	
ET9500C-10-SC	10"	.093"	3/4"	
ET9500C-10-1-SC	10"	.125"	1"	
ET9200C-10-SC	10"	.125"	40mm	ET9200
ET9500C-12-SC	12"	.125"	1"	
ET9500C-14-SC	14"	.125"	1"	

Slotted Smooth Hydraulic Hose Blade

Designed for cutting 4 to 6 wire spiral hoses, this high performance heavy duty slotted blade reduces pinching by skiving the sides of the hose while cutting.

Available in sizes 16" to 36" to fit on Finn Power, Hydroscand, Marken, O+P, Savage, Stone, Stratoflex, Techmaflex and Uniflex saws.



Model	Diameter	Thickness	Arbor	Danfoss Saw
ET9500C-07-SL	7"	.093"	5/8"	
ET9100C-07-SL	7"	.093"	3/4"	ET9100
ET9500C-08-SL	8"	.093"	5/8"	
ET9500C-10-SL	10"	.062"	5/8"	
ET9500C-10-1-SL	10"	.093"	3/4"	
ET9200C-10-1-SL	10"	.093"	40mm	ET9200
ET9500C-10-2-SL	10"	.125"	3/4"	
ET9500C-10-3-SL	10"	.125"	1"	
ET9200C-10-SL	10"	.125"	40mm	ET9200
ET9500C-12-SL	12"	.093"	1"	
ET9500C-12-1-SL	14"	.125"	1"	
ET9500C-14-SL	14"	.125"	1"	
ET9300C-14-SL	14"	.160"	40mm	ET9300
ET9500C-16-SL	16"	.160"	1"	
ET9500C-18-SL	18"	.160"	1"	
ET9500C-20-SL	20"	.160"	1"	
ET9500C-20-1-SL	20"	.160"	40mm	
ET9500C-21-SL	21"	.160"	38mm	
ET9500C-21-SL	22"	.160"	50mm	
ET9500C-24-SL	24"	.160"	1"	
ET9500C-26-SL	26"	.160"	1"	

About Danfoss Power Solutions FC

Danfoss hoses, fittings, and tooling provide the ultimate fluid conveyance solutions for a variety of equipment and applications around the world. We proudly engineer to support a sustainable future for tomorrow.

To learn more please visit: <http://www.danfoss.com/en/about-danfoss/our-businesses/power-solutions>

Danfoss Power Solutions

14615 Lone Oak Road
Eden Prairie, MN 55344, USA
Phone: 952-937-9800

Danfoss Power Solutions (US) Company

2800 East 13th Street
Ames, IA 50010, USA
Phone: +1 515-239-6000

Danfoss Power Solutions GmbH & Co.OHG

Krokamp 35
D-2439 Neumünster, Germany
Phone: +49 4321 871 0

Danfoss Power Solutions ApS

Nordborgvej 81
DK-6430 Nordborg, Denmark
Phone: +45 7488 2222

Danfoss Power Solutions Trade (Shanghai) Co. Ltd.

Building #22, No 1000 Jin Hai Rd
Jin Qiao, Pudong New District
Shanghai, China 201206
Phone: +86 21 3418 5200w

Danfoss can accept no responsibility for possible errors in catalogs, brochures, and other printed material. Danfoss reserves the right to alter its products without notice. This also applies to products already on order provided that such alterations can be made without subsequent changes being necessary in specifications already agreed. All trademarks in this material are the property of the respective companies. Danfoss and the Danfoss logotype are trademarks of Danfoss A/S. All rights reserved.
