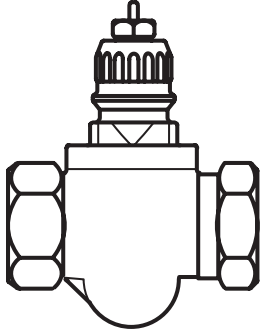


User Guide

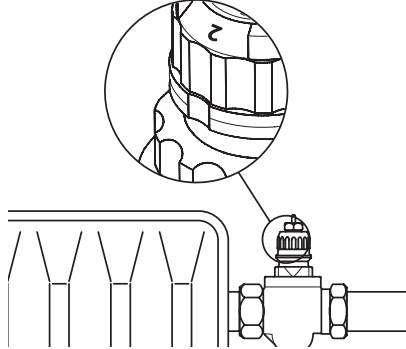
# Danfoss PFM100 $\Delta$ p Tool for RA-DV, RA-N, RA-U, RA-IN Danfoss BIV

013R9684

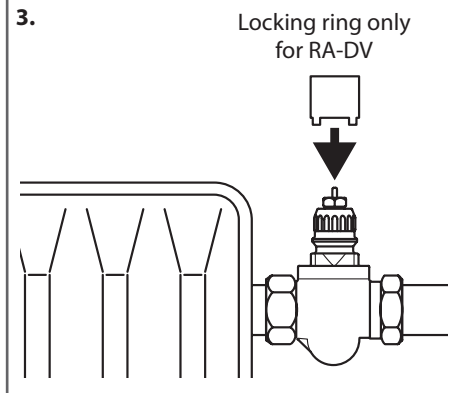
1. Prepare the valve



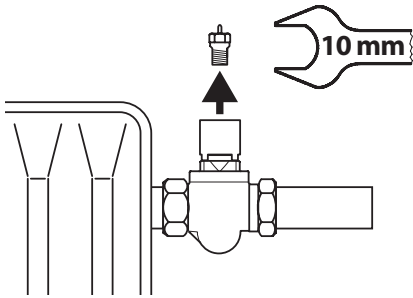
2.



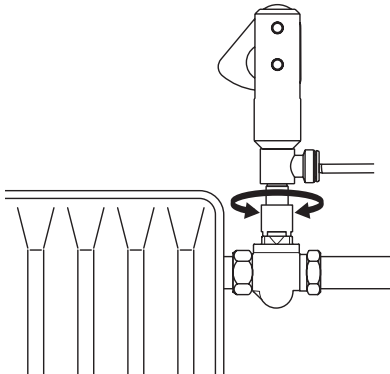
3.



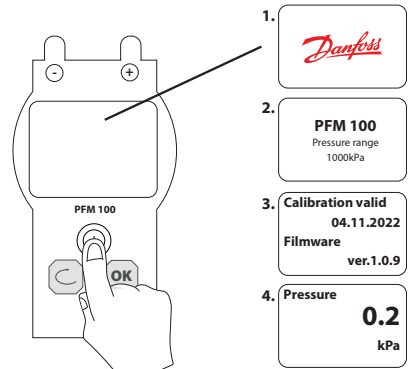
4.



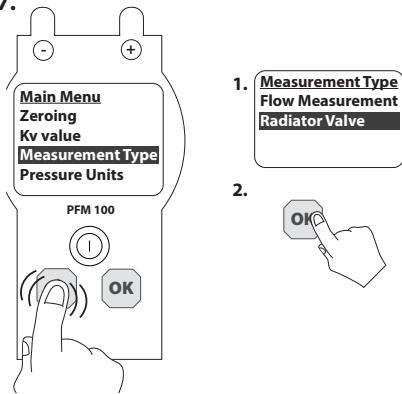
5.



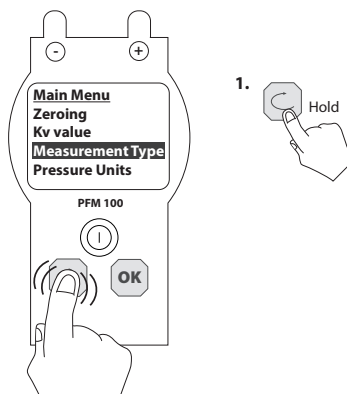
6. Turn on the PFM100 tool



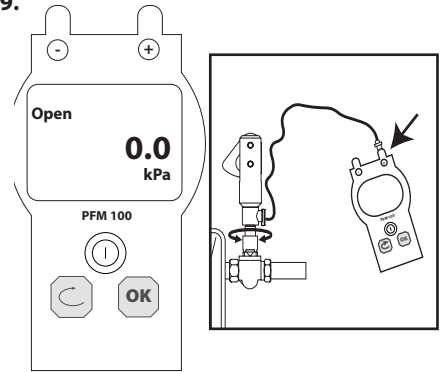
7.



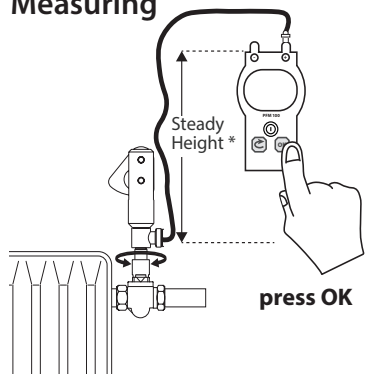
8.



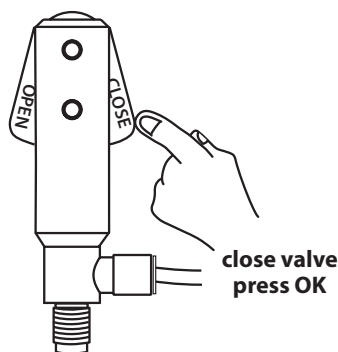
9.



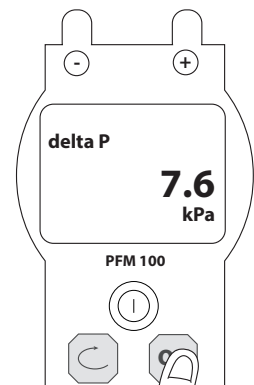
1. Measuring



2.




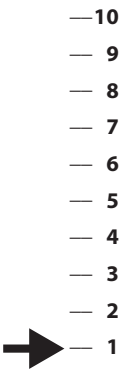
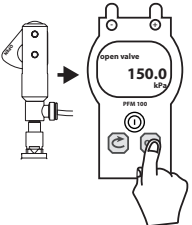
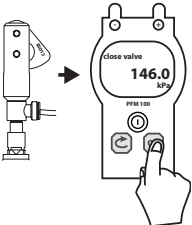
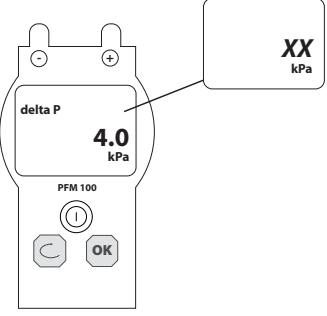

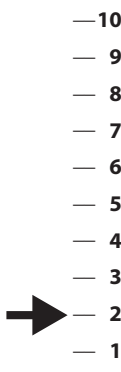
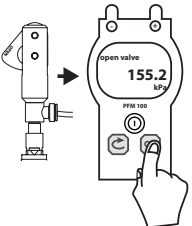
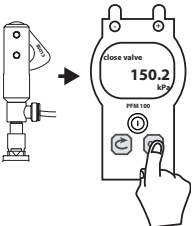
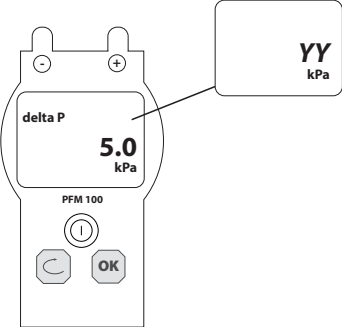
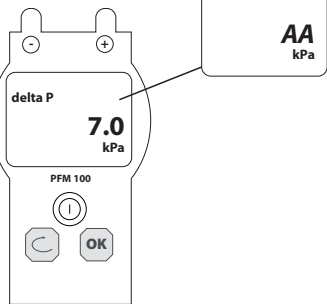

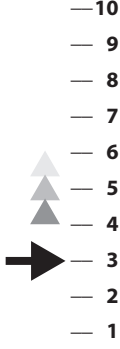
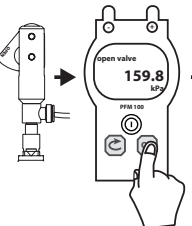
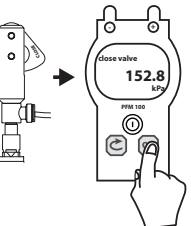
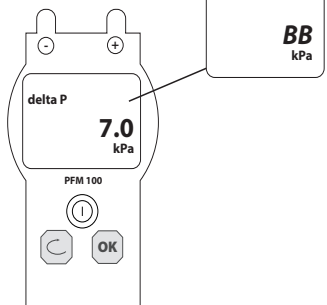

3.



\* Steady height by all measurements

# User Guide Pump Optimization with the Danfoss $\Delta$ p Tool for *Dynamic Valve*™ (example)

Make sure: 1) the pump is set in constant pressure  
2) all the valves in the system are fully open

<p>1.</p>  	<p>2.</p>  	<p>3.</p> 
<p>4.</p>  	<p>5.</p>  	<p>6.</p> 
<p>7.</p> <p>If the differential pressure <b>is constant</b> (XX=YY)* go one level down in the pump setting ► <b>DONE</b></p> <p>If the differential pressure <b>is not constant</b> (XX≠YY) increase the pump setting and measure again. See 8 to 11.</p>	<p>8.</p> 	<p>9.</p>  
<p>10.</p>  	<p>11.</p> 	<p>12.</p> <p>Repeat 8-11 until the differential pressure <b>is constant</b> (AA=BB)*. Go one level down in the pump setting ► <b>DONE</b></p> <div style="text-align: right;"> <p><b>Danfoss Installer App</b>              Android ► Google Play              iPhone ► App Store</p>  </div>

\* The measured value at constant differential pressure is between 6 to 10 kPa

**Danfoss A/S**  
 Heating Segment • heating.danfoss.com • +45 7488 2222 • E-Mail: heating@danfoss.com

Danfoss can accept no responsibility for possible errors in catalogues, brochures and other printed material. Danfoss reserves the right to alter its products without notice. This also applies to products already on order provided that such alterations can be made without consequential changes being necessary in specifications already agreed. All trademarks in this material are property of the respective companies. Danfoss and all Danfoss logotypes are trademarks of Danfoss A/S. All rights reserved.