

Data Sheet

Danfoss Icon2™ / 24V RT thermostat

Description



Danfoss Icon2™ / 24V RT Room Thermostat 088U2125



Danfoss Icon2™ / 24V RT Room Thermostat 088U2128

Danfoss Icon2™ / 24V RT 24V thermostat offers a minimalistic design that makes them fade away and blend into surroundings when the display is not active.

The thermostat uses powerline communication which makes installation very easy.

The Icon2™ / 24V RT thermostat is compatible with both Icon™ 24V Master Controller and Icon2™ Main Controller. Please be aware that FW update function is only available in combination with Icon2™ Main controller.

Danfoss Icon2™ / 24V RT offers the following features:

- Touch user interface
- Floor sensor (accessory)
- UV resistant plastic to reduce yellowing over time
- Temperature limiting (between 4 °C and 35 °C)
- Possibility to deselect cooling for specific room
- Dual heat emitter (e.g. radiator and floor heating in same room)


Ordering

Product	Code number
Danfoss Icon2™ / 24V RT Room Thermostat, 24 V Display In-wall, 80x80	088U2125
Danfoss Icon2™ / 24V RT Room Thermostat, 24 V Display In-wall, 86x86	088U2126
Danfoss Icon2™ / 24V RT Room Thermostat, 24 V Display In-wall, CH, 88x88	088U2127
Danfoss Icon2™ / 24V RT Room Thermostat, 24 V Display On-wall, 86x86	088U2128

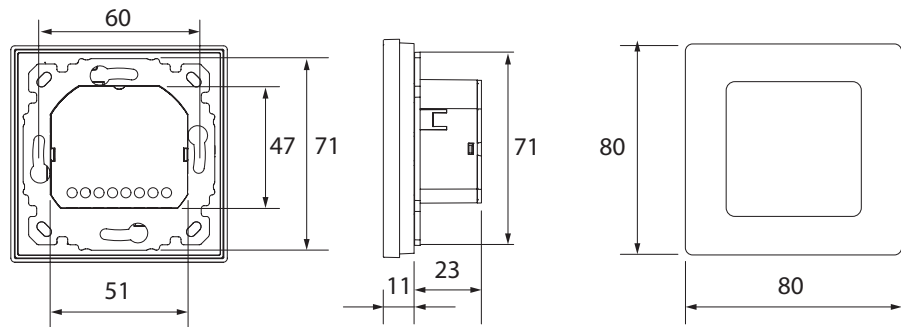
Accessories

Description	Code number
Danfoss Icon™ Floor Sensor for 24 V and 230 V	088U1110

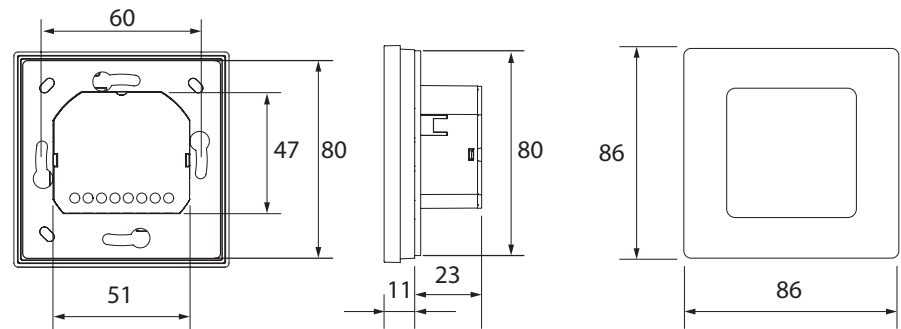
Technical data

Purpose of control	Room thermostat for room temperature control
Ambient temperature range, continuous use	0 °C to + 40 °C
Encapsulation (IP Class)	IP 21
Supply voltage	24 VDC
Conformity declared acc. to following directives	EMC, RoHS, WEEE
Protection class	Class III
External sensor	NTC type, 47 k @ 25 °C (Optional, 088U1110)
Type	Electronic thermostat with touch user interface
User interface	Capacitive touch and shine through display
Display type	Hybrid: red single LED's and custom segment
Display features	Switches OFF after 10 sec. with no interaction
Ambient temperature, storage	-20 °C to 65 °C
Controller, type	Adjustable Pulse Width Modulation
Power consumption	0.2 W
Sensor, floor (optional)	NTC 47 kΩ, 3 m, IP 68
Shell material	White parts: PC ASA Grey parts: PC, 10% glass
ErP class	 (2%)
Colour	White RAL9010 / Dark Grey RAL7024

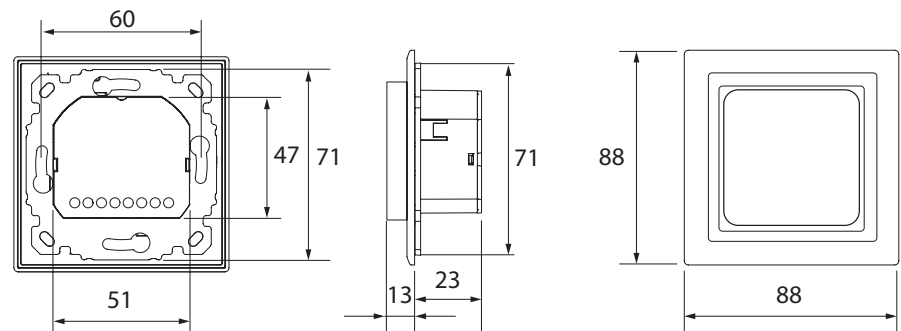
Dimensions



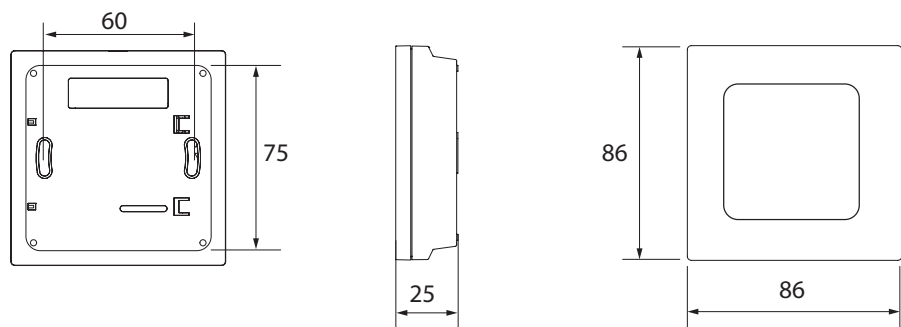
Danfoss Icon2™ / 24V RT Room Thermostat 088U2125



Danfoss Icon2™ / 24V RT Room Thermostat 088U2126



Danfoss Icon2™ / 24V RT Room Thermostat 088U2127



Danfoss Icon2™ / 24V RT Room Thermostat 088U2128

Danfoss A/S

Climate Solutions • danfoss.com • +45 7488 2222

Any information, including, but not limited to information on selection of product, its application or use, product design, weight, dimensions, capacity or any other technical data in product manuals, catalogues descriptions, advertisements, etc. and whether made available in writing, orally, electronically, online or via download, shall be considered informative, and is only binding if and to the extent, explicit reference is made in a quotation or order confirmation. Danfoss cannot accept any responsibility for possible errors in catalogues, brochures, videos and other material. Danfoss reserves the right to alter its products without notice. This also applies to products ordered but not delivered provided that such alterations can be made without changes to form, fit or function of the product.

All trademarks in this material are property of Danfoss A/S or Danfoss group companies. Danfoss and the Danfoss logo are trademarks of Danfoss A/S. All rights reserved.