

Specification overview

Model	Displacement cm ³ / rev	Rated pressure MPa(kgf/ cm ²)	Peak pressure MPa(kgf/ cm ²)	Rated torque N.m(kgf.m)	Rated speed rpm	Max. speed rpm	Rated horse power kW (PS)	Mass kg
ME100	99	27.5 (280)	31.9 (325)	432 (44)	1000	1000	45 (62)	22
ME150	152			667 (68)	600	800	42 (57)	42
ME175	175			765 (78)	600	800	48 (65)	42
ME300B	300			1320 (135)	660	800	90 (123)	60
ME350B	350			1530 (156)	660	800	106 (144)	60
ME600B	600			2620 (267)	500	600	137 (186)	96
ME750B	750	24.5 (250)	31.9 (325)	3280 (334)	450	520	154 (210)	123
ME850B	848			3708 (378)	400	450	155 (211)	123
ME1300A	1345			5250 (535)	200	390	138 (188)	170
ME1900	1868	24.5 (250)	31.9 (325)	7290 (743)	140	260	128 (174)	270
ME2600	2578			10020 (1026)	110	230	159 (216)	350
ME3100	3104			12120 (1235)	110	230	186 (253)	364
ME4100	4097			15990 (1630)	75	200	211 (287)	520

Limit of hydraulic fluid temperature : -20°C ~ +80°C

Limit of hydraulic fluid viscosity : 15~500cSt (Advisable fluid viscosity range: 25~100cSt)

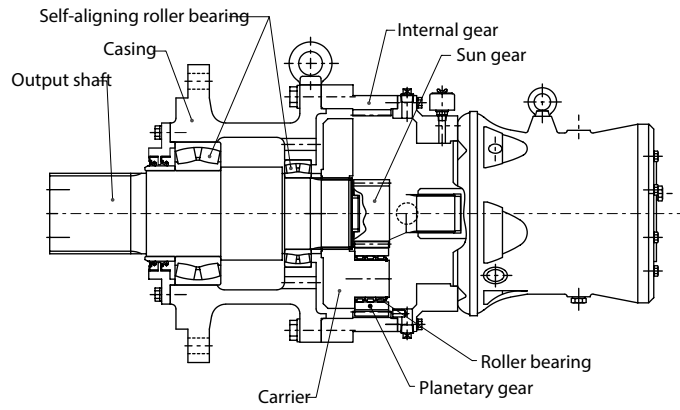
Product type

Optional features	2-speed motor	Mechanical brake	Single stage planetary gearbox	Double stage planetary gearbox	Counter balance valve	Speed detection shaft	Speed sensor	Hollow shaft
ME100		•	•	•	•	•	•	
ME150		•	•	•	•	•	•	
ME175		•	•	•	•	•	•	
ME300B	•	•	•	•	•	•	•	
ME350B		•	•	•	•	•	•	
ME600B	•	•	•	•	•	•	•	
ME750B		•	•	•	•	•	•	
ME850B			•	•	•	•	•	
ME1300A			•	•	•	•	•	
ME1900			•		•	•	•	
ME2600			•		•	•	•	•
ME3100					•	•	•	
ME4100					•	•	•	•

• Standard available options

Single reduction

Gear ratio 5.091

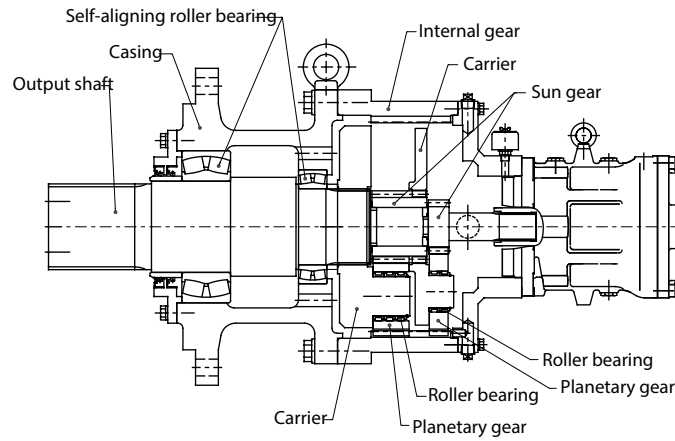


Specification

Motor model	Gear model	Gear ratio	Equivalent displacement (cm ³ /rev)	Rated speed (rpm)	Continuous operation		Intermittent max		Allowable radial load (N)	Mass (Kg)
					Output torque (Nm)	Effective pressure (MPa)	Output torque (Nm)	Effective pressure (MPa)		
ME100-C	GE180HFP005-002	5.091	504	80	1025	13.7	2380	31.9	31000	107
				20	2055	27.5			37200	
				10	2055	27.5			37200	
ME150-G	GE180HFP005-004	5.091	774	80	1510	13.3	3630	31.6	31000	132
				20	3020	26.7			37200	
				10	3100	27.4			37200	
ME175-G	GE180HFP005-006	5.091	891	80	1510	11.4	3630	27.5	31000	132
				20	3020	22.9			37200	
				10	3300	25.0			37200	
ME300BG	GE224HFP005-008	5.091	1527	80	2810	12.4	6760	29.9	62000	190
				20	5630	24.9			80300	
				10	6140	27.1			80300	
ME350BG	GE250HFP005-010	5.091	1782	80	3630	13.7	8420	31.9	73000	260
				20	7260	27.5			92000	
				10	7260	27.5			92000	
ME600BG	GE280HFP005-012	5.091	3055	80	5040	11.1	12100	26.7	85000	346
				20	10080	22.3			117000	
				10	11000	24.3			117000	
ME750BG	GE315HFP005-014	5.091	3818	80	6500	11.5	18050	31.9	126000	443
				20	15560	27.5			176000	
				10	15560	27.5			176000	
ME850BG	GE315HFP005-016	5.091	4317	80	7790	12.2	18700	29.2	126000	443
				20	15580	24.3			176000	
				10	17000	26.6			176000	
ME1300AG	GE355HFP005-018	5.091	6847	60	11000	10.8	27600	27.2	223000	590
				20	23000	22.7			264000	
				10	24900	24.5			264000	
ME1900-G	GE400HFP005-020	5.091	9510	40	18100	12.8	39600	28.1	264000	870
				15	33000	23.4			338000	
				10	34500	24.5			338000	
ME2600-G	GE450HFP005-022	5.091	13125	35	30200	15.5	55200	28.4	350000	1150
				15	46000	23.6			411000	
				10	47600	24.5			411000	

- The allowable output torque differs for the output speed used.
- The intermittent max. torque shall be within the duty cycle of 1% per every time.
- Effective pressure is calculated for the rated output torque by using following values for efficiency:
 - Mechanical efficiency of gear (Single reduction): 0.98
 - Mechanical efficiency of gear (Double reduction): 0.95
 - Torque efficiency of motor: 0.95
- The allowable radial load is at the midpoint of the standard shaft length.
- In case motor casing pressure (drain line) comes below 0 gauge pressure even when motor is off-operation, special specification (double oil seal) should be applied. In this case, please contact us.
- For more information about the motor, please refer to main catalog
- In case, motor output shaft to be positioned upward or downward, special specification (Double Oil Seal) to be used. Contact us for details.
- Please contact us if none of the above meet the specification. Special specification should be applied.

Double reduction
Gear ratio 24 or 26.3



Specification

Motor model	Gear model	Gear ratio	Equivalent displacement (cm ³ /rev)	Rated speed (rpm)	Continuous operation		Intermittent max		Allowable radial load (N)	Mass (Kg)
					Output torque (Nm)	Effective pressure (MPa)	Output torque (Nm)	Effective pressure (MPa)		
ME100-C	GE250HFP026-024	26.3	2604	38	6030	16.0	11760	31.1	92000	272
				20	9800	25.9				
				10	10400	27.5				
ME150-G	GE31MHFP024-026	24.0	3648	25	12700	24.0	16870	31.9	176000	392
				10	14530	27.4				
				5	14530	27.4				
ME175-G	GE31MHFP024-028	24.0	4200	25	14000	23.0	19400	31.8	176000	392
				10	16730	27.4				
				5	16730	27.4				
ME300BG	GE31MHFP024-030	24.0	7200	25	14100	13.5	26400	25.3	176000	420
				10	22000	21.0				
				5	24000	23.0				
ME350BG	GE31MHFP024-032	24.0	8400	25	14100	11.6	26400	21.6	176000	420
				10	22000	18.0				
				5	24000	19.7				
ME300BG	GE355HFP024-034	24.0	7200	25	18300	17.5	33300	31.9	264000	510
				10	28690	27.4				
				5	28690	27.4				
ME350BG	GE355HFP024-036	24.0	8400	25	18300	15.0	36850	30.2	264000	510
				10	30000	24.6				
				5	33400	27.4				
ME600BG	GE355HFP024-038	24.0	14400	25	18300	8.8	36850	17.6	264000	556
				10	30000	14.3				
				5	33500	16.0				
ME750BG	GE400HFP024-040	24.0	18000	21	30000	11.5	58800	22.5	320000	773
				10	47400	18.1				
				5	53400	20.4				
ME850BG	GE400HFP024-042	24.0	20352	18	35000	11.8	58800	19.9	338000	773
				10	47400	16.0				
				5	53400	18.1				
ME850BG	GE450HFP024-044	24.0	20352	18	40500	13.7	78890	26.7	411000	1023
				10	63000	21.3				
				5	71700	24.3				
ME1300AG	GE500HFP024-046	24.0	32280	16	56700	12.1	103290	22.0	470000	1370
				10	62300	13.3				
				5	93900	20.0				

- The allowable output torque differs for the output speed used.
- The intermittent max. torque shall be within the duty cycle of 1% per every minute.
- Effective pressure is calculated for the rated output torque by using the following values for efficiency:
 - Mechanical efficiency of gear: 0.96
 - Torque efficiency of motor: 0.95
- The allowable radial load is at the midpoint of the standard shaft length.
- In case motor casing pressure (drain line) comes below 0, gauge pressure even when motor is not operating. Special specification (double oil seal) should be applied. In this case, please contact us.
- In case, motor output shaft to be positioned upward or downward, special specification (Double Oil Seal) to be used. Contact us for details.
- Please contact us if none of the above meet the specification. Special specification should be applied.

Features and benefits

- Wide range of models in 13 displacements ranging from 99 to 4,097 cm³/rev
- High pressure of 280 bar and continuous operating pressure of 250 bar
- Smooth operation at low speed. Multiple pistons and double swash plate result in smooth rotation at speeds down to 1 rev/min
- High starting torque and high overall efficiency
- Compact and easy installation
- Robust construction
- Quiet operations
- Unaffected by thermal shock (good for starting at cold temperature)
- Speed pickup system is available
- Wide range of uses in different mediums such as water glycol and phosphate-ester
- Additional features include two-speed motor, speed sensor, hollow shaft, brakes and gearbox
- Long life and high reliability (steel material design/no copper)

Certifications

- DNV GL
- Lloyd's register
- ABS
- BV
- CCS
- KR
- Class NK

Key applications

- Construction: cranes, tunnel boring machines, special and regular rotary drill rigs, rain maintenance cars, grapples, excavators and earth augers
- Processing: conveyors/rolling drives, steel mills and injection molding machines
- Oil & Gas + Marine: winches, ship steering systems, cranes, capstans, thrusters
- Entertainment: ferris wheels and amusement park machines

Contacts

- APAC contact
- Japan contact
- Applications support
- Product engineering support

- Global product manager



Products we offer:

- Cartridge valves
- DCV directional control valves
- Electric converters
- Electric machines
- Electric motors
- Gear motors
- Gear pumps
- Hydraulic integrated circuits (HICs)
- Hydrostatic motors
- Hydrostatic pumps
- Orbital motors
- PLUS+1® controllers
- PLUS+1® displays
- PLUS+1® joysticks and pedals
- PLUS+1® operator interfaces
- PLUS+1® sensors
- PLUS+1® software
- PLUS+1® software services, support and training
- Position controls and sensors
- PVG proportional valves
- Steering components and systems
- Telematics

Danfoss Power Solutions is a global manufacturer and supplier of high-quality hydraulic and electric components. We specialize in providing state-of-the-art technology and solutions that excel in the harsh operating conditions of the mobile off-highway market as well as the marine sector. Building on our extensive applications expertise, we work closely with you to ensure exceptional performance for a broad range of applications. We help you and other customers around the world speed up system development, reduce costs and bring vehicles and vessels to market faster.

Danfoss Power Solutions – your strongest partner in mobile hydraulics and mobile electrification.

Go to www.danfoss.com for further product information.

We offer you expert worldwide support for ensuring the best possible solutions for outstanding performance. And with an extensive network of Global Service Partners, we also provide you with comprehensive global service for all of our components.

Local address:

Hydro-Gear

www.hydro-gear.com

Daikin-Sauer-Danfoss

www.daikin-sauer-danfoss.com

**Danfoss
Power Solutions (US) Company**
2800 East 13th Street
Ames, IA 50010, USA
Phone: +1 515 239 6000

**Danfoss
Power Solutions GmbH & Co. OHG**
Krokamp 35
D-24539 Neumünster, Germany
Phone: +49 4321 871 0

**Danfoss
Power Solutions ApS**
Nordborgvej 81
DK-6430 Nordborg, Denmark
Phone: +45 7488 2222

**Danfoss
Power Solutions Trading
(Shanghai) Co., Ltd.**
Building #22, No. 1000 Jin Hai Rd
Jin Qiao, Pudong New District
Shanghai, China 201206
Phone: +86 21 2080 6201

Danfoss can accept no responsibility for possible errors in catalogues, brochures and other printed material. Danfoss reserves the right to alter its products without notice. This also applies to products already on order provided that such alterations can be made without subsequent changes being necessary in specifications already agreed. All trademarks in this material are property of the respective companies. Danfoss and the Danfoss logotype are trademarks of Danfoss A/S. All rights reserved.