

Catalog

Optyma™ condensing units



Easy

installation, easy
service and reliable
performance

| | |
|---|-----------|
| Optyma™ condensing unit features | 4 |
| Optyma™ Indoor Condensing Units | 5 |
| Optyma™ condensing unit R134a - MBP | 6 |
| Optyma™ condensing unit R404A/R507 - MBP | 10 |
| Optyma™ condensing unit R448A/R449A - H/MBP | 14 |
| Optyma™ condensing unit R448A/R449A - MBP | 16 |
| Optyma™ condensing unit R452A - MBP | 18 |
| Optyma™ condensing unit R404A/R507 - LBP | 20 |
| Optyma™ condensing unit R290 – L/MBP | 24 |
| Spare parts | 26 |
| Spare parts & accessories list | 29 |
| Electrical wiring diagrams | 31 |
| Dimensions | 37 |
| | |
| Optyma™ Slim Outdoor Condensing Units | 41 |
| Optyma™ Slim condensing unit R448A/R449A - MBP | 42 |
| Optyma™ Slim condensing unit R134a - MBP | 46 |
| Optyma™ Slim condensing unit R404A/R507 - MBP | 50 |
| Optyma™ Slim condensing unit R452A - MBP | 54 |
| Optyma™ Slim condensing unit R448A/R449A - LBP | 58 |
| Optyma™ Slim condensing unit R404A/R507 - LBP | 60 |
| Optyma™ Slim condensing unit R452A - LBP | 62 |
| Optyma™ Slim Spare parts & accessories - MBP | 64 |
| Optyma™ Slim Spare parts & accessories - LBP | 65 |
| Electrical wiring diagrams | 66 |
| Dimensions | 69 |

Optyma™ condensing unit nomenclature / model no.

| Application | Design | Refrigerant | Condenser size | HP rating | Certification | Version | Electrical code | |
|-------------|----------|-------------|----------------|-----------|---------------|----------|-----------------|----------|
| OP- | H | N | X | M | 0300 | U | WG000 | Q |

Application:
L: Low
H: Medium / High
U: Universal Low / Medium / High

Design:
C: Air cooled condenser, Single fan, Recip
J: Air cooled condenser, Slim Design, Recip
G: Air cooled condenser, Twin fan, Recip
N: Air cooled condenser, Slim Design, Scroll
R: Air cooled condenser, Twin fan, Scroll

Refrigerant:
G: R134a
H: R404A/R507/R452A
M: R22 Replacement
N: R290
Z: R404A/R507A/R134a*/R448A/R449A/R452A
X: R448A/R449A/R404A/R507A/R134a/R452A
Y: R448A/R449A/R404A/R507A/R452A

Condenser size:
C: Fin and Tube condenser size 110F ambient
M: Microchannel Condenser size 115F ambient

HP rating:
 HP rating in hundredths of HP,
 i.e.: 0033=1/3 HP, 1000 = 10 HP

Certification:
R: UL Recognized
U: UL Listed

Electrical code:
B: Compressor & fan(s), 115V, 1ph, 60 Hz
N: Compressor & fan(s), 230V, 1ph, 60 Hz
Q: Compressor 208-230V, 3ph, 60 Hz
 Fan(s) 230V, 1ph, 60 Hz
R: Compressor 460V, 3ph, 60 Hz
 Fan(s) 460V, 1ph, 60 Hz

Version:
DF: Plastic baseplate
WA: Power cord
WB: Power cord, Receiver
WC: Electrical box, Receiver
WD: Electrical box, Receiver, Low pressure control
WE: Electrical box, Receiver, Dual pressure control, Fan cycling control, larger than 3HP dual fan units use KPU fan cycling control
WF: WE + Filter drier, Sight glass, Solenoid valve with coil
WG: BX, Receiver, Dual pressure control, Fan speed controller or Fan cycling, Defrost Timer, Outdoor enclosure (MBP)
WH: Electrical box, Receiver, Dual pressure control, Fan speed controller or Fan cycling, Defrost timer, Outdoor enclosure, Suction Accumulator (LBP)
WJ: Electrical box, Receiver, Dual pressure control, Fan cycling control, Filter drier, Sight glass

* R134a is available in MBP only

Rating Conditions (ARI)

| Application | LBP | MBP/HBP |
|--------------|------|---------|
| Ambient Temp | 90°F | 90°F |
| Return Gas | 40°F | 65°F |
| SubCooling | 5°F | 5°F |

OPTYMA MADE IN USA

Model:

Danfoss Code:

Serial Number:

Compressor: 115V-60Hz-1Ph LRA43.1A RLA8.9A
 Fan Motor: 115V FLA 0.45 A
 MCA: 11.6 A
 Max. Fuse/HACR breaker: 20.0

Design Pressure: Low/High side 87/185psi
 Refrigerant: R134a
 Oil Type: Polyolester
 Wiring diagram: 119-3987

OP-HCGC0033RWB000B (Model no.)

114N2022 (Code no.)

Date Code: XXXXXXXAU0116
 7 digits = serial #
 AU = Assembled in US
 01 = Week of Manufacture
 16 = Year of Manufacture

OPTYMA ASSEMBLED IN MEXICO

Model:

Danfoss Code:

Serial Number:

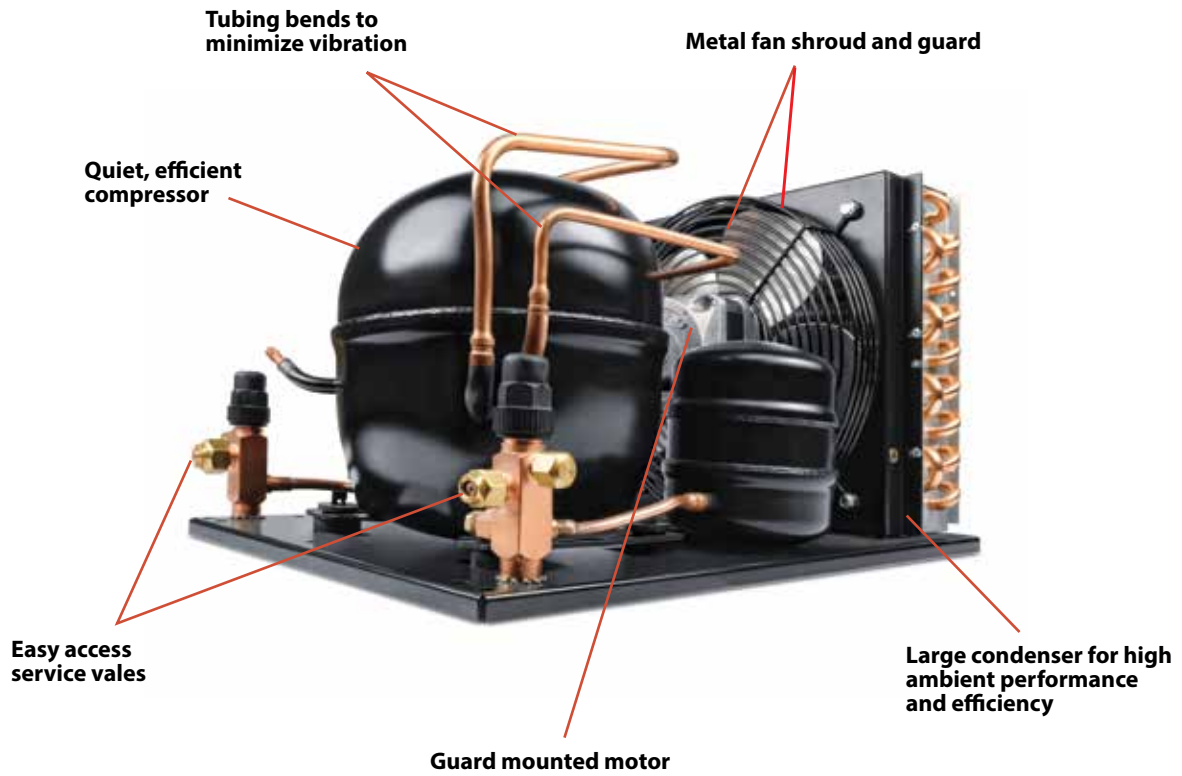
Compressor: 115V-60Hz-1Ph LRA43.1A RLA8.9A
 Fan Motor: 115V FLA 0.45 A
 MCA: 11.6 A
 Max. Fuse/HACR breaker: 20.0

Design Pressure: Low/High side 87/185psi
 Refrigerant: R134a
 Oil Type: Polyolester
 Wiring diagram: 119-3987

OP-HCGC0033RWB000B (Model no.)

114N2022 (Code no.)

Date Code: XXXXXXXAM0116
 7 digits = serial #
 AM = Assembled in Mexico
 01 = Week of Manufacture
 16 = Year of Manufacture



| Fan | Model no | Version | Electrical code | Code no | Compressor model | Amb. temp. | Capacity range in (btu/hr) at evaporating temperature | | | | | | | | | | Power consumption [W] at evap. temp. 20 F |
|--------------|--------------|---------|-----------------|----------|------------------|------------|---|------|------|------|------|-------|-------|-------|-------|-------|---|
| | | | | | | °F | 0 | 5 | 10 | 15 | 20 | 25 | 30 | 35 | 40 | 45 | |
| Single fan | OP-UCGC0020R | WA | B | 114N2017 | NF6.1FX.2 | 90 | 1050 | 1200 | 1350 | 1500 | 1700 | 1850 | 2050 | 2250 | 2450 | 2700 | 250 |
| | | | | | | 95 | 1000 | 1150 | 1300 | 1450 | 1600 | 1800 | 2000 | 2200 | 2400 | 2600 | |
| | | | | | | 100 | 950 | 1100 | 1250 | 1400 | 1550 | 1750 | 1900 | 2100 | 2300 | 2500 | |
| | | | | | | 110 | 900 | 1000 | 1150 | 1300 | 1450 | 1600 | 1800 | 1950 | 2150 | 2350 | |
| | OP-UCGC0025R | WB | B | 114N2019 | NF7.3FX.2 | 90 | 1250 | 1400 | 1600 | 1750 | 1950 | 2150 | 2400 | 2600 | 2850 | 3100 | 350 |
| | | | | | | 95 | 1200 | 1350 | 1550 | 1700 | 1900 | 2100 | 2300 | 2500 | 2750 | 3000 | |
| | | | | | | 100 | 1150 | 1300 | 1450 | 1650 | 1800 | 2000 | 2200 | 2450 | 2650 | 2900 | |
| | | | | | | 110 | 1050 | 1200 | 1350 | 1550 | 1700 | 1900 | 2050 | 2250 | 2450 | 2700 | |
| | OP-HCGC0033R | WB | B | 114N2022 | NF11FX | 90 | - | 2050 | 2300 | 2550 | 2850 | 3100 | 3450 | 3750 | 4100 | 4450 | 450 |
| | | | | | | 95 | - | 1950 | 2200 | 2450 | 2750 | 3000 | 3300 | 3650 | 3950 | 4300 | |
| | | | | | | 100 | - | 1900 | 2100 | 2350 | 2600 | 2900 | 3200 | 3500 | 3800 | 4150 | |
| | | | | | | 110 | - | 1750 | 1950 | 2200 | 2450 | 2700 | 2950 | 3250 | 3550 | 3850 | |
| | OP-UCGC0050R | WB | B | 114N2023 | SC18G | 90 | 2350 | 2700 | 3050 | 3450 | 3800 | 4250 | 4700 | 5150 | 5650 | 6150 | 700 |
| | | | | | | 95 | 2300 | 2600 | 2950 | 3300 | 3700 | 4100 | 4500 | 4950 | 5400 | 5900 | |
| | | | | | | 100 | 2200 | 2500 | 2800 | 3200 | 3550 | 3950 | 4350 | 4750 | 5200 | 5650 | |
| | | | | | | 110 | 2000 | 2300 | 2600 | 2900 | 3250 | 3600 | 4000 | 4400 | 4800 | 5200 | |
| | OP-HCGC0055R | WB | B | 114N2025 | NT6215Z | 90 | - | 2900 | 3300 | 3800 | 4300 | 4850 | 5450 | 6100 | 6700 | 7350 | 700 |
| | | | | | | 95 | - | 2800 | 3200 | 3650 | 4150 | 4650 | 5250 | 5850 | 6450 | 7050 | |
| | | | | | | 100 | - | 2650 | 3050 | 3500 | 3950 | 4500 | 5050 | 5600 | 6150 | 6750 | |
| | | | | | | 110 | - | - | - | 3250 | 3700 | 4150 | 4700 | - | - | - | |
| | OP-HCGC0075R | WB | B | 114N2027 | NJ6220Z | 90 | - | 4350 | 4850 | 5550 | 6250 | 7150 | 8050 | 9100 | 10100 | 11200 | 1000 |
| | | | | | | 95 | - | 4100 | 4700 | 5350 | 6100 | 6950 | 7850 | 8800 | 9800 | 10850 | |
| | | | | | | 100 | - | 3900 | 4500 | 5150 | 5900 | 6750 | 7600 | 8550 | 9500 | 10450 | |
| | | | | | | 110 | - | - | - | 4850 | 5600 | 6400 | 7250 | 8100 | - | - | |
| OP-HCGC0075U | WC | N | 114N2028 | | 90 | - | - | - | - | - | - | - | - | - | - | | |
| OP-HCGC0100U | WD | N | 114N2029 | NJ6226Z | 90 | - | 6800 | 7450 | 8200 | 9050 | 9950 | 10950 | 12000 | 13050 | 14200 | 1200 | |
| | | | | | 95 | - | 6300 | 7000 | 7750 | 8550 | 9450 | 10400 | 11450 | 12450 | 13550 | | |
| | | | | | 100 | - | - | 6550 | 7300 | 8100 | 8950 | 9900 | 10900 | 11850 | 12900 | | |
| | | | | | 110 | - | - | - | 6500 | 7250 | 8100 | 9000 | - | - | - | | |

Test condition

Return gas temperature 65°F
Subcooling 5°F

Electrical code

B: Compressor & fan(s) 115V, 1 ph, 60 Hz
N: Compressor & fan(s) 230V, 1 ph, 60 Hz

Version

WA: Power cord
WB: Power cord, Receiver
WC: Electrical box, Receiver
WD: Electrical box, Receiver, Low pressure control

HP rating in hundredths of HP, ie.: 033=1/3hp, (OP-UCGC0100U:0100=1hp)
Power consumption referred at 90°F ambient temperature

Catalog
Optyma™ condensing unit R134a - MBP

| Model no | Condenser fan | Receiver lbs @ 90% | Dimensions (in) ⁽¹⁾ | | | | | | Weight (lbs) | MCA (A) | Oil Type / Charge (oz) | Wiring diagram code ⁽²⁾ |
|--------------|------------------|--------------------|--------------------------------|---------------|--------------|--------------|--------------|-------------|--------------|---------|------------------------|------------------------------------|
| | Fan blade Ø (in) | | Figure | Height H (in) | Width W (in) | Depth D (in) | Suction line | Liquid line | Gross | | | |
| OP-UCGC0020R | 8 | --- | 2 | 9.0 | 11 | 14 | 3/8" F | 1/4" F | 32 | 6.1 | POE / 10.8 | 119-3987 |
| OP-UCGC0025R | 8 | 2.16 | 2 | 9.1 | 13.5 | 17 | 3/8" F | 1/4" F | 45 | 6.4 | POE / 10.8 | 119-3987 |
| OP-HCGC0033R | 9 | 2.16 | 2 | 10.3 | 13.5 | 17 | 3/8" F | 1/4" F | 47 | 11.7 | POE / 10.8 | 119-3987 |
| OP-UCGC0050R | 10 | 2.16 | 3 | 11.8 | 13.5 | 17 | 1/2" F | 1/4" F | 57 | 13.7 | POE / 20.3 | 119-3983 |
| OP-HCGC0055R | 10 | 4 | 4 | 11.9 | 14 | 18 | 3/8" F | 1/4" F | 67 | 15 | POE / 19.6 | 119-3988 |
| OP-HCGC0075R | 12 | 4 | 4 | 13.2 | 16.9 | 19 | 1/2" F | 1/4" F | 100 | 16 | POE / 30.1 | 119-3983 |
| OP-HCGC0075U | | 4 | 4 | 13.2 | 16.9 | 19 | 1/2" F | 1/4" F | 100 | 10.5 | | 119-3985 |
| OP-HCGC0100U | 12 | 4 | 4 | 16.1 | 21.1 | 20.8 | 1/2" F | 1/4" F | 113 | 11.2 | POE / 30.1 | 119-3990 |

⁽¹⁾ Dimensions (in) available on page 37

⁽²⁾ Wiring diagram available on page 31
 For spare parts, see pages 26

| Fan | Model no | Version | Electrical code | Code no | Compressor model | Amb. temp. | Capacity range in (btu/hr) at evaporating temperature | | | | | | | Power consumption [W] at evap. temp. 25°F | Power consumption [W] at evap. temp. 20°F | AWEF | |
|--------------|--------------|---------|-----------------|----------|------------------|------------|---|-------|-------|-------|--------|--------|--------|---|---|------|------|
| | | | | | | °F | 15 | 20 | 25 | 30 | 35 | 40 | 45 | | | | 50 |
| Single fan | OP-HCZC0150U | WJ | N | 114N3601 | MTZ18 | 90 | 5500 | 6305 | 7192 | 8163 | 9216 | 10350 | 11560 | 12840 | 1220 | 1167 | 7.17 |
| | | | | 95 | | 5194 | 5975 | 6835 | 7775 | 8794 | 9889 | 11060 | 12290 | | | | |
| | | | | 100 | | 4889 | 5645 | 6477 | 7386 | 8369 | 9426 | 10550 | 11740 | | | | |
| | | | | 105 | | 4585 | 5315 | 6118 | 6994 | 7942 | 8960 | 10040 | 11190 | | | | |
| | OP-HCZC0200U | WJ | N | 114N3604 | MTZ22 | 90 | 7245 | 8343 | 9529 | 10800 | 12160 | 13590 | 15090 | 16660 | 1460 | 1387 | 7.35 |
| | | | | 95 | | 6921 | 7981 | 9123 | 10350 | 11650 | 13020 | 14460 | 15960 | | | | |
| | | | | 100 | | 6592 | 7611 | 8708 | 9881 | 11130 | 12440 | 13820 | 15250 | | | | |
| | | | | 105 | | 6255 | 7232 | 8283 | 9404 | 10590 | 11850 | 13160 | 14530 | | | | |
| | OP-HCZC0250U | WJ | N | 114N3607 | MTZ28 | 90 | 9583 | 10990 | 12480 | 14040 | 15680 | 17380 | 19140 | 20960 | 1834 | 1730 | 7.35 |
| | | | | 95 | | 9147 | 10520 | 11960 | 13470 | 15060 | 16700 | 18400 | 20140 | | | | |
| | | | | 100 | | 8704 | 10030 | 11430 | 12900 | 14420 | 16000 | 17640 | 19310 | | | | |
| | | | | 105 | | 8257 | 9544 | 10900 | 12310 | 13780 | 15300 | 16860 | 18470 | | | | |
| OP-HCZC0275U | WJ | N | 114N3610 | MTZ36 | 90 | 12470 | 14150 | 15930 | 17820 | 19800 | 21880 | 24030 | 26270 | 2400 | 2253 | 7.32 | |
| | | | 95 | | 11890 | 13520 | 15260 | 17090 | 19010 | 21010 | 23090 | 25240 | | | | | |
| | | | 100 | | 11320 | 12900 | 14580 | 16350 | 18210 | 20140 | 22140 | 24210 | | | | | |
| | | | 105 | | 10740 | 12280 | 13910 | 15620 | 17400 | 19260 | 21190 | 23170 | | | | | |
| OP-HCZC0300U | WJ | N | 114N3614 | MTZ40 | 90 | 14490 | 16220 | 18070 | 20050 | 22140 | 24350 | 26680 | 29110 | 2640 | 2469 | 7.6 | |
| | | | 95 | | 13690 | 15400 | 17230 | 19170 | 21230 | 23410 | 25690 | 28080 | | | | | |
| | | | 100 | | 12910 | 14600 | 16410 | 18320 | 20350 | 22490 | 24730 | 27070 | | | | | |
| | | | 105 | | 12160 | 13830 | 15610 | 17500 | 19500 | 21600 | 23800 | 26090 | | | | | |
| Two fan | OP-HGZC0400U | WJ | N | 114N3617 | MTZ50 | 90 | 16350 | 19020 | 21910 | 25000 | 28280 | 31760 | 35410 | 39220 | 3093 | 2950 | 7.13 |
| | | | | 95 | | 15700 | 18300 | 21100 | 24090 | 27260 | 30610 | 34130 | 37800 | | | | |
| | | | | 100 | | 15010 | 17540 | 20240 | 23130 | 26200 | 29430 | 32810 | 36340 | | | | |
| | | | | 105 | | 14290 | 16730 | 19350 | 22140 | 25090 | 28200 | 31460 | 34840 | | | | |
| | OP-HGZC0500U | WJ | N | 114N3621 | MTZ64 | 90 | 20950 | 24290 | 27860 | 31650 | 35630 | 39800 | 44130 | 48600 | 3778 | 3574 | 7.69 |
| | | | | 95 | | 20080 | 23320 | 26780 | 30440 | 34290 | 38310 | 42470 | 46770 | | | | |
| | | | | 100 | | 19170 | 22320 | 25660 | 29200 | 32910 | 36780 | 40780 | 44910 | | | | |
| | | | | 105 | | 18220 | 21270 | 24510 | 27930 | 31500 | 35220 | 39070 | 43020 | | | | |
| | OP-HGZC0700U | WJ | Q | 114N3626 | MTZ80 | 90 | 27750 | 31880 | 36300 | 41010 | 46000 | 51260 | 56750 | 62480 | 4690 | 4429 | 8.07 |
| | | | | 95 | | 26630 | 30630 | 34920 | 39480 | 44300 | 49370 | 54680 | 60200 | | | | |
| | | | | 100 | | 25500 | 29380 | 33530 | 37930 | 42590 | 47480 | 52590 | 57900 | | | | |
| | | | | 105 | | 24350 | 28110 | 32120 | 36370 | 40860 | 45570 | 50490 | 55590 | | | | |
| OP-HGZC0900U | WJ | Q | 114N3628 | MTZ100 | 90 | 32220 | 37130 | 42390 | 48000 | 53940 | 60200 | 66750 | 73590 | 6376 | 6065 | 7.33 | |
| | | | 95 | | 30500 | 35270 | 40360 | 45790 | 51530 | 57560 | 63880 | 70460 | | | | | |
| | | | 100 | | 28780 | 33400 | 38330 | 43560 | 49090 | 54900 | 60980 | 67300 | | | | | |
| | | | 105 | | 27070 | 31530 | 36280 | 41320 | 46640 | 52220 | 58060 | 64120 | | | | | |
| OP-HGZC1000U | WJ | Q | 114N3631 | MTZ125 | 90 | 40340 | 46370 | 52830 | 59690 | 66930 | 74540 | 82480 | 90720 | 7203 | 6815 | 7.9 | |
| | | | 95 | | 38310 | 44150 | 50390 | 57010 | 63980 | 71300 | 78920 | 86820 | | | | | |
| | | | 100 | | 36290 | 41930 | 47940 | 54300 | 61000 | 68020 | 75320 | 82880 | | | | | |
| | | | 105 | | 34280 | 39710 | 45480 | 51580 | 58000 | 64700 | 71680 | 78890 | | | | | |
| OP-HGZC1200U | WJ | Q | 114N3633 | MTZ144 | 90 | 52460 | 59230 | 66410 | 73990 | 81940 | 90260 | 98920 | 107900 | 9064 | 8635 | 7.77 | |
| | | | 95 | | 50300 | 56870 | 63830 | 71160 | 78840 | 86860 | 95190 | 103800 | | | | | |
| | | | 100 | | 48100 | 54470 | 61200 | 68270 | 75670 | 83390 | 91400 | 99680 | | | | | |
| | | | 105 | | 45860 | 52020 | 58510 | 65320 | 72440 | 79850 | 87530 | 95470 | | | | | |
| OP-HGZC1350U | WJ | Q | 114N3636 | MTZ160 | 90 | 58110 | 65480 | 73290 | 81500 | 90100 | 99080 | 108400 | 118000 | 9819 | 9306 | 7.8 | |
| | | | 95 | | 55650 | 62820 | 70390 | 78350 | 86670 | 95340 | 104300 | 113600 | | | | | |
| | | | 100 | | 53150 | 60110 | 67450 | 75140 | 83180 | 91540 | 100200 | 109100 | | | | | |
| | | | 105 | | 50600 | 57350 | 64440 | 71880 | 79630 | 87670 | 96000 | 104600 | | | | | |
| | | | | | 110 | 48010 | 54540 | 61390 | 68550 | 76010 | 83750 | 91730 | 99950 | | | | |

Test condition

Return gas temperature 65°F
Subcooling 5°F

Electrical code

Q: Compressor 208-230V, 3ph, 60 Hz / Fan(s) 230V, 1ph, 60 Hz
R: Compressor 460V, 3ph, 60 Hz / Fan(s) 460V, 1ph, 60 Hz

Version

WJ: Electrical box, Receiver, Dual pressure control, Fan cycling control, Filter drier, Sight glass

HP rating in hundredths of HP, i.e.: 033=1/3hp, (OP-UCGC0100U:0100=1hp)
Power consumption referred at 90°F ambient temperature

| Model no | Condenser fan | Receiver lbs @ 90% | Dimensions (in) ⁽¹⁾ | | | | | | Weight (lbs) | MCA (A) | Oil Type / Charge (oz) | Wiring diagram code ⁽²⁾ |
|--------------|------------------|--------------------|--------------------------------|---------------|--------------|--------------|--------------|-------------|--------------|-------------------------|------------------------|------------------------------------|
| | Fan blade Ø (in) | | Figure | Height H (in) | Width W (in) | Depth D (in) | Suction line | Liquid line | Gross | | | |
| OP-HCZC0150U | 14 | 7 | 6a | 16.3 | 20.1 | 25 | ½" S | ¾" S | 130 | N: 14 Q: 9 R: 6 | POE/29 | 119-6401 119-6403 119-6406 |
| OP-HCZC0200U | 14 | 7 | 6a | 16.3 | 20.1 | 25 | ½" S | ¾" S | 130 | N: 17 Q: 11 R: 6 | POE/29 | 119-6401 119-6403 119-6406 |
| OP-HCZC0250U | 14 | 7 | 6a | 17.4 | 27.6 | 19.7 | ¾" S | ¾" S | 140 | N: 24 Q: 16 R: 8 | POE/29 | 119-6401 119-6403 119-6406 |
| OP-HCZC0275U | 14 | 7 | 6a | 17.4 | 27.6 | 19.7 | ¾" S | ¾" S | 150 | N: 28 Q: 17 R: 9 | POE/29 | 119-6401 119-6403 119-6406 |
| OP-HCZC0300U | 18 | 7 | 6a | 21.4 | 31.5 | 24 | ¾" S | ¾" S | 150 | N: 40 Q: 23 R: 12 | POE/29 | 119-6401 119-6403 119-6406 |
| OP-HGZC0400U | 14 | 15 | 8a | 21.8 | 39.4 | 27.6 | ¾" S | ½" S | 210 | N: 36 Q: 24 R: 12 | POE/63 | 119-6402 119-6404 119-6405 |
| OP-HGZC0500U | 18 | 18.5 | 8a | 26.6 | 47.2 | 31.5 | ¾" S | ½" S | 300 | N: 52 Q: 32 R: 16 | POE/63 | 119-6402 119-6404 119-6405 |
| OP-HGZC0700U | 18 | 28 | 8a | 26.6 | 47.2 | 31.5 | 1 ½" S | ½" S | 300 | Q: 40 R: 17 | POE/63 | 119-6404 119-6405 |
| OP-HGZC0900U | 22 | 33 | 9a | 34.4 | 34.3 | 59.1 | 1 ½" S | ½" S | 500 | Q: 50 R: 26 | POE/132 | 119-6404 119-6405 |
| OP-HGZC1000U | 22 | 33 | 9a | 34.4 | 34.3 | 59.1 | 1 ½" S | ½" S | 500 | Q: 60 R: 30 | POE/132 | 119-6404 119-6405 |
| OP-HGZC1200U | 22 | 33 | 9a | 34.4 | 34.3 | 59.1 | 1 ½" S | ½" S | 510 | Q: 69 R: 33 | POE/132 | 119-6404 119-6405 |
| OP-HGZC1350U | 22 | 40 | 9a | 34.4 | 34.3 | 59.1 | 1 ½" S | ½" S | 540 | Q: 75 R: 38 | POE/132 | 119-6404 119-6405 |

⁽¹⁾ Dimensions (in) available on page 37

⁽²⁾ Wiring diagram available on page 31
For spare parts, see pages 26

| Fan | Model no | Version | Electrical code | Code no | Compressor model | Amb. temp. | Capacity range in (btu/hr) at evaporating temperature | | | | | | | | | | Power consumption [W] at evap. temp. 20 °F |
|--------------|--------------|---------|-----------------|----------|------------------|------------|---|------|------|------|------|------|-------|-------|-------|-------|--|
| | | | | | | °F | 0 | 5 | 10 | 15 | 20 | 25 | 30 | 35 | 40 | 45 | |
| Single fan | OP-UCHC0020R | WA | B | 114N2316 | TF4CLX | 90 | 1000 | 1100 | 1250 | 1400 | 1500 | 1650 | 1800 | 2000 | 2150 | 2300 | 300 |
| | | | | | | 95 | 950 | 1050 | 1200 | 1300 | 1450 | 1600 | 1750 | 1900 | 2050 | 2200 | |
| | | | | | | 100 | 900 | 1000 | 1100 | 1250 | 1350 | 1500 | 1650 | 1800 | - | - | |
| | | | | | | 110 | 800 | 900 | 1000 | 1150 | 1250 | 1400 | 1500 | - | - | - | |
| | OP-UCHC0025R | WB | B | 114N2318 | NF5.5CLX | 90 | 1650 | 1850 | 2050 | 2250 | 2450 | 2650 | 2900 | 3150 | 3400 | 3650 | 450 |
| | | | | | | 95 | 1600 | 1750 | 1950 | 2150 | 2350 | 2550 | 2800 | 3000 | 3250 | 3500 | |
| | | | | | | 100 | 1500 | 1650 | 1850 | 2050 | 2250 | 2450 | 2650 | 2900 | 3100 | 3350 | |
| | | | | | | 110 | 1350 | 1550 | 1700 | 1850 | 2050 | 2250 | - | - | - | - | |
| | OP-UCHC0033R | WB | B | 114N2321 | NF7CLX | 90 | 2050 | 2250 | 2500 | 2750 | 3000 | 3250 | 3550 | 3850 | 4100 | 4450 | 550 |
| | | | | | | 95 | 1950 | 2150 | 2400 | 2600 | 2850 | 3100 | 3400 | 3650 | 3950 | 4250 | |
| | | | | | | 100 | 1850 | 2050 | 2250 | 2500 | 2700 | 2950 | 3200 | 3500 | 3750 | 4050 | |
| | | | | | | 110 | 1650 | 1850 | 2050 | - | - | - | - | - | - | - | |
| | OP-UCHC0050R | WB | B | 114N2324 | SC10CL | 90 | 2450 | 2750 | 3100 | 3400 | 3750 | 4100 | 4500 | 4900 | 5250 | 5700 | 700 |
| | | | | | | 95 | 2300 | 2600 | 2900 | 3200 | 3550 | 3850 | 4250 | 4600 | 4950 | 5350 | |
| | | | | | | 100 | 2100 | 2400 | 2700 | 3000 | 3300 | 3600 | 3950 | 4300 | 4650 | 5000 | |
| | | | | | | 110 | 1850 | 2100 | 2350 | 2600 | 2850 | 3150 | - | - | - | - | |
| | OP-UCHC0050U | WC | N | 114N2325 | SC10CL | 90 | 2450 | 2750 | 3100 | 3400 | 3750 | 4100 | 4500 | 4900 | 5250 | 5700 | 700 |
| | | | | | | 95 | 2300 | 2600 | 2900 | 3200 | 3550 | 3850 | 4250 | 4600 | 4950 | 5350 | |
| | | | | | | 100 | 2100 | 2400 | 2700 | 3000 | 3300 | 3600 | 3950 | 4300 | 4650 | 5000 | |
| | | | | | | 110 | 1850 | 2100 | 2350 | 2600 | 2850 | 3150 | - | - | - | - | |
| | OP-HCHC0060U | WC | B | 114N2328 | SC12MLX | 90 | 3400 | 3750 | 4200 | 4600 | 5050 | 5550 | 6050 | 6600 | 7100 | 7700 | 900 |
| | | | | | | 95 | 3200 | 3550 | 3950 | 4350 | 4800 | 5250 | 5750 | 6250 | 6750 | 7300 | |
| | | | | | | 100 | 3000 | 3350 | 3700 | 4100 | 4500 | 4950 | 5400 | 5900 | 6400 | 6900 | |
| | | | | | | 110 | 2650 | 2950 | 3300 | 3700 | 4050 | 4450 | 4900 | - | - | - | |
| | OP-HCHC0075R | WB | B | 114N2330 | SC18MLX | 90 | 4400 | 4950 | 5500 | 6150 | 6800 | 7500 | 8250 | 9000 | 9800 | 10650 | 1000 |
| | | | | | | 95 | 4150 | 4700 | 5250 | 5850 | 6500 | 7200 | 7900 | 8650 | 9400 | 10250 | |
| | | | | | | 100 | 3900 | 4450 | 5000 | 5600 | 6200 | 6850 | 7550 | 8300 | 9050 | 9850 | |
| | OP-HCHC0075U | WC | N | 114N2331 | NT6220GK | 110 | 3500 | 4000 | 4550 | 5100 | 5700 | 6350 | 7000 | - | - | - | 1000 |
| 90 | | | | | | - | 5900 | 6650 | 7450 | 8200 | 9000 | 9850 | 10650 | 11450 | 12300 | | |
| OP-HCHC0100U | WD | N | 114N2332 | NT6222GK | 95 | - | 5600 | 6350 | 7100 | 7800 | 8600 | 9350 | 10150 | 10950 | 11750 | 1300 | |
| | | | | | 100 | - | - | 6000 | 6700 | 7400 | 8150 | 8900 | 9650 | 10400 | 11150 | | |
| | | | | | 110 | - | - | - | 6100 | 6750 | 7400 | 8100 | 8800 | - | - | | |
| | | | | | 90 | - | 5900 | 6650 | 7450 | 8200 | 9000 | 9850 | 10650 | 11450 | 12300 | | |

Test condition

Return gas temperature 65°F
Subcooling 5°F

Electrical code

B: Compressor & fan(s) 115V, 1 ph, 60 Hz
N: Compressor & fan(s) 230V, 1 ph, 60 Hz

Version

WA: Power cord
WB: Power cord, Receiver
WC: Electrical box, Receiver
WD: Electrical box, Receiver, Low pressure control

HP rating in hundredths of HP, i.e.: 033=1/3hp, (OP-UCGC0100U:0100=1hp)
Power consumption referred at 90°F ambient temperature

| Model no | Condenser fan | | Receiver lbs @ 90% | Dimensions (in) ⁽¹⁾ | | | | | Weight (lbs) | | MCA (A) | Oil Type / Charge (oz) | Wiring diagram code ⁽²⁾ |
|--------------|------------------|--|--------------------|--------------------------------|---------------|--------------|--------------|--------------|--------------|-------|---------|------------------------|------------------------------------|
| | Fan blade Ø (in) | | | Figure | Height H (in) | Width W (in) | Depth D (in) | Suction line | Liquid line | Gross | | | |
| OP-UCHC0020R | 9 | | - | 1 | 10.2 | 12.3 | 14 | ⅜" F | ¼" F | 39 | 5.2 | POE / 9 | 119-3987 |
| OP-UCHC0025R | 9 | | 2.16 | 2 | 10.3 | 13.5 | 17 | ⅜" F | ¼" F | 50 | 6.2 | POE / 11 | 119-3987 |
| OP-UCHC0033R | 9 | | 2.16 | 2 | 10.3 | 13.5 | 17 | ⅜" F | ¼" F | 49 | 7.6 | POE / 11 | 119-3987 |
| OP-UCHC0050R | 10 | | 2.16 | 3 | 11.8 | 13.5 | 17 | ⅜" F | ¼" F | 60 | 11.8 | POE / 19 | 119-3993 |
| OP-UCHC0050U | | | | | | | | ½" F | | | 4.3 | | 119-3995 |
| OP-HCHC0060U | 12 | | 4 | 3 | 14 | 16.3 | 19 | ⅜" F | ¼" F | 70 | 14.1 | POE / 20 | 119-3983 |
| | | | | | | | | | | | 7.1 | | 119-3995 |
| OP-HCHC0075R | 12 | | 4 | 3 | 13.3 | 17 | 19 | ½" S | ¼" F | 78 | 22.2 | POE / 20 | 119-3992 |
| OP-HCHC0075U | | | | 4 | | | | | | | | | 91 |
| OP-HCHC0100U | 12 | | 4 | 4 | 13.3 | 16.9 | 19 | ½" S | ¼" F | 91 | 10.8 | POE / 20 | 119-3990 |

⁽¹⁾Dimensions (in) available on page 37

⁽²⁾Wiring diagram available on page 31
For spare parts, see pages 26

| Fan | Model no | Version | Electrical code | Code no | Compressor model | Amb. temp. | Capacity range in (btu/hr) at evaporating temperature | | | | | | | Power consumption [W] at evap. temp. 25°F | Power consumption [W] at evap. temp. 20°F | AWEF | |
|--------------|--------------|---------|-----------------|----------|------------------|------------|---|--------|--------|--------|--------|--------|--------|---|---|------|------|
| | | | | | | °F | 15 | 20 | 25 | 30 | 35 | 40 | 45 | | | | 50 |
| Single fan | OP-HCZC0150U | WJ | N | 114N3601 | MTZ18 | 90 | 9989 | 11300 | 12670 | 14100 | 15590 | 17120 | 18700 | 20310 | 2066 | 1996 | 7.07 |
| | | | | | | 95 | 9438 | 10690 | 12000 | 13370 | 14780 | 16240 | 17750 | 19280 | | | |
| | | | | | | 100 | 8879 | 10080 | 11320 | 12620 | 13970 | 15360 | 16790 | 18250 | | | |
| | | | | | | 105 | 8313 | 9451 | 10640 | 11870 | 13150 | 14470 | 15820 | 17200 | | | |
| | | | | | | 110 | 7742 | 8822 | 9949 | 11120 | 12330 | 13580 | - | - | | | |
| | OP-HCZC0200U | WJ | N | 114N3604 | MTZ22 | 90 | 13320 | 14880 | 16510 | 18210 | 19960 | 21750 | 23590 | 25460 | 2365 | 2259 | 7.93 |
| | | | | | | 95 | 12660 | 14140 | 15690 | 17290 | 18950 | 20650 | 22380 | 24150 | | | |
| | | | | | | 100 | 11970 | 13380 | 14840 | 16360 | 17920 | 19520 | 21160 | 22820 | | | |
| | | | | | | 105 | 11260 | 12590 | 13970 | 15400 | 16870 | 18380 | 19910 | 21470 | | | |
| | | | | | | 110 | 10530 | 11780 | 13080 | 14420 | 15800 | 17210 | - | - | | | |
| | OP-HCZC0250U | WJ | N | 114N3607 | MTZ28 | 90 | 16910 | 18680 | 20500 | 22380 | 24310 | 26270 | 28260 | 30270 | 3056 | 2914 | 7.7 |
| | | | | | | 95 | 16110 | 17790 | 19520 | 21310 | 23130 | 24980 | 26870 | 28760 | | | |
| | | | | | | 100 | 15290 | 16880 | 18530 | 20210 | 21930 | 23680 | 25450 | 27240 | | | |
| | | | | | | 105 | 14450 | 15960 | 17510 | 19100 | 20720 | 22370 | 24030 | 25700 | | | |
| | | | | | | 110 | 13600 | 15020 | 16480 | 17970 | 19490 | 21040 | - | - | | | |
| | OP-HCZC0275U | WJ | N | 114N3610 | MTZ36 | 90 | 20820 | 23050 | 25350 | 27690 | 30080 | 32500 | 34930 | 37360 | 3824 | 3599 | 7.69 |
| | | | | | | 95 | 19740 | 21860 | 24050 | 26280 | 28540 | 30830 | 33130 | 35420 | | | |
| | | | | | | 100 | 18660 | 20680 | 22750 | 24860 | 27000 | 29160 | 31330 | 33490 | | | |
| | | | | | | 105 | 17580 | 19490 | 21450 | 23440 | 25460 | 27500 | 29540 | 31560 | | | |
| | | | | | | 110 | 16500 | 18310 | 20150 | 22030 | 23930 | 25850 | - | - | | | |
| OP-HCZC0300U | WJ | N | 114N3614 | MTZ40 | 90 | 23390 | 25810 | 28300 | 30830 | 33380 | 35950 | 38520 | 41060 | 4281 | 4026 | 7.51 | |
| | | | | | 95 | 22180 | 24490 | 26850 | 29240 | 31660 | 34090 | 36510 | 38910 | | | | |
| | | | | | 100 | 20980 | 23170 | 25400 | 27660 | 29940 | 32230 | 34510 | 36770 | | | | |
| | | | | | 105 | 19780 | 21850 | 23950 | 26080 | 28230 | 30390 | 32530 | 34640 | | | | |
| | | | | | 110 | 18590 | 20530 | 22510 | 24520 | 26540 | 28550 | - | - | | | | |
| Two fan | OP-HGZC0400U | WJ | N | 114N3617 | MTZ50 | 90 | 31480 | 35020 | 38720 | 42580 | 46590 | 50730 | 54980 | 59340 | 5051 | 4839 | 8.68 |
| | | | | | | 95 | 29880 | 33270 | 36820 | 40510 | 44330 | 48280 | 52330 | 56480 | | | |
| | | | | | | 100 | 28260 | 31490 | 34880 | 38390 | 42040 | 45790 | 49650 | 53580 | | | |
| | | | | | | 105 | 26600 | 29690 | 32910 | 36260 | 39720 | 43280 | 46940 | 50670 | | | |
| | | | | | | 110 | 24930 | 27860 | 30920 | 34100 | 37380 | 40760 | - | - | | | |
| | OP-HGZC0500U | WJ | N | 114N3621 | MTZ64 | 90 | 38340 | 42410 | 46630 | 50980 | 55440 | 59980 | 64600 | 69260 | 6437 | 6127 | 8.23 |
| | | | | | | 95 | 36310 | 40200 | 44210 | 48350 | 52580 | 56900 | 61280 | 65700 | | | |
| | | | | | | 100 | 34270 | 37970 | 41780 | 45700 | 49720 | 53810 | 57960 | 62130 | | | |
| | | | | | | 105 | 32220 | 35720 | 39340 | 43050 | 46850 | 50710 | 54630 | 58570 | | | |
| | | | | | | 110 | 30170 | 33480 | 36890 | 40390 | 43980 | 47620 | - | - | | | |
| | OP-HGZC0700U | WJ | Q | 114N3626 | MTZ80 | 90 | 49600 | 54670 | 59940 | 65380 | 70990 | 76730 | 82580 | 88530 | 8635 | 8206 | 8.03 |
| | | | | | | 95 | 47120 | 51940 | 56950 | 62120 | 67440 | 72890 | 78440 | 84070 | | | |
| | | | | | | 100 | 44610 | 49190 | 53940 | 58840 | 63880 | 69030 | 74280 | 79600 | | | |
| | | | | | | 105 | 42090 | 46420 | 50900 | 55530 | 60290 | 65160 | 70110 | 75130 | | | |
| | | | | | | 110 | 39550 | 43630 | 47860 | 52220 | 56700 | 61280 | - | - | | | |
| | OP-HGZC0900U | WJ | Q | 114N3628 | MTZ100 | 90 | 60260 | 67010 | 74070 | 81430 | 89080 | 97000 | 105200 | 113500 | 10100 | 9728 | 8.59 |
| | | | | | | 95 | 57030 | 63470 | 70210 | 77230 | 84520 | 92050 | 99810 | 107800 | | | |
| | | | | | | 100 | 53800 | 59940 | 66350 | 73030 | 79950 | 87110 | 94470 | 102000 | | | |
| | | | | | | 105 | 50570 | 56400 | 62490 | 68820 | 75380 | 82160 | 89130 | 96270 | | | |
| | | | | | | 110 | 47350 | 52870 | 58630 | 64620 | 70820 | 77230 | - | - | | | |
| OP-HGZC1000U | WJ | Q | 114N3631 | MTZ125 | 90 | 75520 | 83250 | 91320 | 99710 | 108400 | 117400 | 126600 | 136000 | 12880 | 12330 | 8.32 | |
| | | | | | 95 | 71710 | 79080 | 86780 | 94770 | 103000 | 111600 | 120300 | 129300 | | | | |
| | | | | | 100 | 67860 | 74880 | 82210 | 89800 | 97660 | 105700 | 114000 | 122500 | | | | |
| | | | | | 105 | 63980 | 70660 | 77610 | 84810 | 92250 | 99910 | 107700 | 115700 | | | | |
| | | | | | 110 | 60090 | 66410 | 72990 | 79800 | 86830 | 94050 | - | - | | | | |
| OP-HGZC1200U | WJ | Q | 114N3633 | MTZ144 | 90 | 87530 | 96260 | 105400 | 114800 | 124500 | 134500 | 144800 | 155200 | 14670 | 14000 | 8.04 | |
| | | | | | 95 | 83140 | 91470 | 100100 | 109100 | 118400 | 127900 | 137600 | 147500 | | | | |
| | | | | | 100 | 78710 | 86630 | 94860 | 103400 | 112200 | 121200 | 130400 | 139800 | | | | |
| | | | | | 105 | 74230 | 81750 | 89550 | 97630 | 106000 | 114500 | 123200 | 132000 | | | | |
| | | | | | 110 | 69730 | 76830 | 84210 | 91840 | 99690 | 107700 | - | - | | | | |
| OP-HGZC1350U | WJ | Q | 114N3636 | MTZ160 | 90 | 94170 | 103400 | 112900 | 122900 | 133100 | 143600 | 154300 | 165200 | 16660 | 15820 | 7.9 | |
| | | | | | 95 | 89460 | 98240 | 107400 | 116800 | 126500 | 136500 | 146700 | 157000 | | | | |
| | | | | | 100 | 84750 | 93100 | 101800 | 110800 | 120000 | 129500 | 139100 | 148900 | | | | |
| | | | | | 105 | 80020 | 87960 | 96190 | 104700 | 113400 | 122400 | 131500 | 140700 | | | | |
| | | | | | 110 | 75300 | 82810 | 90600 | 98630 | 106900 | 115300 | - | - | | | | |

Test condition

Return gas temperature 65°F
Subcooling 5°F

Electrical code

N: Compressor & fan(s) 230V, 1 ph, 60 Hz
Q: Compressor 208-230V, 3ph, 60 Hz / Fan(s) 230V, 1ph, 60 Hz
R: Compressor 460V, 3ph, 60 Hz / Fan(s) 460V, 1ph, 60 Hz

Version

WJ: Electrical box, Receiver, Dual pressure control, Fan cycling control, Filter drier, Sight glass

HP rating in hundredths of HP, i.e.: 033=1/3hp, (OP-UCGC0100U:0100=1hp)
Power consumption referred at 90°F ambient temperature

| Model no | Condenser fan | | Receiver lbs @ 90% | Dimensions (in) ⁽¹⁾ | | | | | Weight (lbs) | | MCA (A) | Oil Type / Charge (oz) | Wiring diagram code ⁽²⁾ |
|--------------|---------------------|--|-----------------------|--------------------------------|------------------|-----------------|-----------------|-----------------|----------------|-------|-------------------------|---------------------------|--|
| | Fan blade Ø (in) | | | Figure | Height H (in) | Width W (in) | Depth D (in) | Suction line | Liquid line | Gross | | | |
| OP-HCZC0150U | 14 | | 7 | 6a | 16.3 | 20.1 | 25 | ½" S | ¾" S | 130 | N: 14 Q: 9 R: 6 | POE/29 | 119-6401 119-6403 119-6406 |
| OP-HCZC0200U | 14 | | 7 | 6a | 16.3 | 20.1 | 25 | ½" S | ¾" S | 130 | N: 17 Q: 11 R: 6 | POE/29 | 119-6401 119-6403 119-6406 |
| OP-HCZC0250U | 14 | | 7 | 6a | 17.4 | 27.6 | 19.7 | ¾" S | ¾" S | 140 | N: 24 Q: 16 R: 8 | POE/29 | 119-6401 119-6403 119-6406 |
| OP-HCZC0275U | 14 | | 7 | 6a | 17.4 | 27.6 | 19.7 | ¾" S | ¾" S | 150 | N: 28 Q: 17 R: 9 | POE/29 | 119-6401 119-6403 119-6406 |
| OP-HCZC0300U | 18 | | 7 | 6a | 21.4 | 31.5 | 24 | ¾" S | ¾" S | 150 | N: 40 Q: 23 R: 12 | POE/29 | 119-6401 119-6403 119-6406 |
| OP-HGZC0400U | 14 | | 15 | 8a | 21.8 | 39.4 | 27.6 | ⅞" S | ½" S | 210 | N: 36 Q: 24 R: 12 | POE/63 | 119-6402 119-6404 119-6405 |
| OP-HGZC0500U | 18 | | 18.5 | 8a | 26.6 | 47.2 | 31.5 | ⅞" S | ½" S | 300 | N: 52 Q: 32 R: 16 | POE/63 | 119-6402 119-6404 119-6405 |
| OP-HGZC0700U | 18 | | 28 | 8a | 26.6 | 47.2 | 31.5 | 1 ⅛" S | ½" S | 300 | Q: 40 R: 17 | POE/63 | 119-6404 119-6405 |
| OP-HGZC0900U | 22 | | 33 | 9a | 34.4 | 34.3 | 59.1 | 1 ⅛" S | ½" S | 500 | Q: 50 R: 26 | POE/132 | 119-6404 119-6405 |
| OP-HGZC1000U | 22 | | 33 | 9a | 34.4 | 34.3 | 59.1 | 1 ⅛" S | ½" S | 500 | Q: 60 R: 30 | POE/132 | 119-6404 119-6405 |
| OP-HGZC1200U | 22 | | 33 | 9a | 34.4 | 34.3 | 59.1 | 1 ⅛" S | ½" S | 510 | Q: 69 R: 33 | POE/132 | 119-6404 119-6405 |
| OP-HGZC1350U | 22 | | 40 | 9a | 34.4 | 34.3 | 59.1 | 1 ⅛" S | ½" S | 540 | Q: 75 R: 38 | POE/132 | 119-6404 119-6405 |

⁽¹⁾ Dimensions (in) available on page 37

⁽²⁾ Wiring diagram available on page 31
 For spare parts, see pages 26

| Fan | Model no | Version | Electrical code | Code no | Compressor model | Amb. temp. | Capacity range in (btu/hr) at evaporating temperature | | | | | | | | | | Power consumption [W] at evap. temp. 20°F | | | |
|------------|--------------|----------------|-----------------|----------------------|------------------|------------|---|------|------|------|------|------|------|------|------|------|---|------|------|------|
| | | | | | | °F | -10 | -5 | 0 | 5 | 10 | 15 | 20 | 25 | 30 | 35 | | 40 | 45 | 50 |
| Single fan | OP-HCYC0075R | C0001 C0002 | N | 114N2088 114N2107 | MPT14RF | 90 | | | | 2870 | 3204 | 3552 | 3913 | 4286 | 4670 | 5063 | 5465 | 5875 | 6294 | 1024 |
| | | | | | | 95 | | | | 2720 | 3032 | 3360 | 3701 | 4054 | 4419 | 4795 | 5180 | 5575 | 5979 | |
| | | | | | | 100 | | | | 2570 | 2860 | 3167 | 3488 | 3823 | 4169 | 4527 | 4895 | | | |
| | | | | | | 105 | | | | | 2689 | 2975 | 3276 | 3591 | 3919 | 4259 | | | | |
| | | | | | | 110 | | | | | | 2848 | 3136 | 3438 | 3754 | | | | | |
| | OP-HCYC0100R | C0001 C0002 | N | 114N2089 114N2108 | MX18TGa | 90 | 2290 | 2625 | 2974 | 3335 | 3707 | 4089 | 4481 | 4881 | 5289 | 5705 | 6128 | 6558 | 6996 | 1198 |
| | | | | | | 95 | 2137 | 2445 | 2768 | 3105 | 3454 | 3814 | 4184 | 4563 | 4952 | 5348 | 5753 | 6166 | 6588 | |
| | | | | | | 100 | | 2266 | 2564 | 2876 | 3201 | 3539 | 3887 | 4246 | 4614 | 4992 | 5378 | | | |
| | | | | | | 105 | | | 2360 | 2648 | 2950 | 3264 | 3591 | 3929 | 4277 | | | | | |
| | | | | | | 110 | | | | 2498 | 2784 | 3084 | 3396 | 3720 | | | | | | |
| | OP-HCYC0075R | C0001 C0002 | B | 114N2102 114N2109 | MPT14RD | 90 | | | | 2926 | 3266 | 3621 | 3989 | 4369 | 4761 | 5161 | 5571 | 5989 | 6416 | 1068 |
| | | | | | | 95 | | | | 2773 | 3091 | 3425 | 3773 | 4133 | 4505 | 4888 | 5280 | 5683 | 6095 | |
| 100 | | | | | | | | | 2620 | 2915 | 3228 | 3556 | 3897 | 4250 | 4615 | 4990 | | | | |
| 105 | | | | | | | | | | 2741 | 3033 | 3340 | 3661 | 3995 | 4342 | | | | | |
| 110 | | | | | | | | | | 2903 | 3197 | 3505 | 3827 | | | | | | | |

Test condition

Return gas temperature 65°F
Subcooling 5°F

Electrical code

B: Compressor & fan(s) 115V, 1 ph, 60 Hz
N: Compressor & fan(s) 230V, 1 ph, 60 Hz

Version

C0001: Multi Pack
C0002: Single Pack

HP rating in hundredths of HP, i.e.: 033=1/3hp, (OP-UCGC0100U:0100=1hp)
Power consumption referred at 90°F ambient temperature

| Model no | Condenser fan | Receiver lbs @ 90% | Dimensions (in) ⁽¹⁾ | | | | | | Weight (lbs) | MCA (A) | Oil Type / Charge (oz) | Wiring diagram code ⁽²⁾ |
|--------------|---------------------|-----------------------|--------------------------------|------------------|-----------------|-----------------|-----------------|----------------|--------------|---------|---------------------------|--|
| | Fan blade Ø (in) | | Figure | Height H (in) | Width W (in) | Depth D (in) | Suction line | Liquid line | Gross | | | |
| OP-HCYC0075R | 10 | 3.15 | 10 | 19.02 | 15.98 | 11.73 | 1/4" OD S | 2.8 mm ID S | 30.78 | 8.11 | POE / 14.1 | 119-9231 |
| OP-HCYC0100R | 10 | 3.15 | 11 | 19.02 | 15.98 | 11.73 | 1/4" OD S | 2.8 mm ID S | 38.34 | 8.6 | POE / 17.6 | 119-9231 |
| OP-HCYC0075R | 10 | 3.15 | 10 | 19.02 | 15.98 | 11.73 | 1/4" OD S | 2.8 mm ID S | 38.56 | 18.2 | POE / 14.1 | 119-9233 |

⁽¹⁾Dimensions (in) available on page 37

⁽²⁾Wiring diagram available on page 31
For spare parts, see pages 26

| Model no | Condenser fan | Receiver lbs @ 90% | Dimensions (in) ⁽¹⁾ | | | | | | Weight (lbs) | MCA (A) | Oil Type / Charge (oz) | Wiring diagram code ⁽²⁾ |
|--------------|------------------|--------------------|--------------------------------|---------------|--------------|--------------|--------------|-------------|--------------|-------------------------|------------------------|------------------------------------|
| | Fan blade Ø (in) | | Figure | Height H (in) | Width W (in) | Depth D (in) | Suction line | Liquid line | Gross | | | |
| OP-HCZC0150U | 14 | 7 | 6a | 16.3 | 20.1 | 25 | ½" S | ¾" S | 130 | N: 14 Q: 9 R: 6 | POE/29 | 119-6401 119-6403 119-6406 |
| OP-HCZC0200U | 14 | 7 | 6a | 16.3 | 20.1 | 25 | ½" S | ¾" S | 130 | N: 17 Q: 11 R: 6 | POE/29 | 119-6401 119-6403 119-6406 |
| OP-HCZC0250U | 14 | 7 | 6a | 17.4 | 27.6 | 19.7 | ¾" S | ¾" S | 140 | N: 24 Q: 16 R: 8 | POE/29 | 119-6401 119-6403 119-6406 |
| OP-HCZC0275U | 14 | 7 | 6a | 17.4 | 27.6 | 19.7 | ¾" S | ¾" S | 150 | N: 28 Q: 17 R: 9 | POE/29 | 119-6401 119-6403 119-6406 |
| OP-HCZC0300U | 18 | 7 | 6a | 21.4 | 31.5 | 24 | ¾" S | ¾" S | 150 | N: 40 Q: 23 R: 12 | POE/29 | 119-6401 119-6403 119-6406 |
| OP-HGZC0400U | 14 | 15 | 8a | 21.8 | 39.4 | 27.6 | ¾" S | ½" S | 210 | N: 36 Q: 24 R: 12 | POE/63 | 119-6402 119-6404 119-6405 |
| OP-HGZC0500U | 18 | 18.5 | 8a | 26.6 | 47.2 | 31.5 | ¾" S | ½" S | 300 | N: 52 Q: 32 R: 16 | POE/63 | 119-6402 119-6404 119-6405 |
| OP-HGZC0700U | 18 | 28 | 8a | 26.6 | 47.2 | 31.5 | 1 ½" S | ½" S | 300 | Q: 40 R: 17 | POE/63 | 119-6404 119-6405 |
| OP-HGZC0900U | 22 | 33 | 9a | 34.4 | 34.3 | 59.1 | 1 ½" S | ½" S | 500 | Q: 50 R: 26 | POE/132 | 119-6404 119-6405 |
| OP-HGZC1000U | 22 | 33 | 9a | 34.4 | 34.3 | 59.1 | 1 ½" S | ½" S | 500 | Q: 60 R: 30 | POE/132 | 119-6404 119-6405 |
| OP-HGZC1200U | 22 | 33 | 9a | 34.4 | 34.3 | 59.1 | 1 ½" S | ½" S | 510 | Q: 69 R: 33 | POE/132 | 119-6404 119-6405 |
| OP-HGZC1350U | 22 | 40 | 9a | 34.4 | 34.3 | 59.1 | 1 ½" S | ½" S | 540 | Q: 75 R: 38 | POE/132 | 119-6404 119-6405 |

⁽¹⁾ Dimensions (in) available on page 37

⁽²⁾ Wiring diagram available on page 31
For spare parts, see pages 26

| Model no | Condenser fan | | Receiver lbs @ 90% | Dimensions (in) ⁽¹⁾ | | | | | Weight (lbs) | | MCA (A) | Oil Type / Charge (oz) | Wiring diagram code ⁽²⁾ |
|--------------|------------------|--|--------------------|--------------------------------|---------------|--------------|--------------|--------------|--------------|-------|-------------------------|------------------------|------------------------------------|
| | Fan blade Ø (in) | | | Figure | Height H (in) | Width W (in) | Depth D (in) | Suction line | Liquid line | Gross | | | |
| OP-HCZC0150U | 14 | | 7 | 6a | 16.3 | 20.1 | 25 | ½" S | ¾" S | 130 | N: 14 Q: 9 R: 6 | POE/29 | 119-6401 119-6403 119-6406 |
| OP-HCZC0200U | 14 | | 7 | 6a | 16.3 | 20.1 | 25 | ½" S | ¾" S | 130 | N: 17 Q: 11 R: 6 | POE/29 | 119-6401 119-6403 119-6406 |
| OP-HCZC0250U | 14 | | 7 | 6a | 17.4 | 27.6 | 19.7 | ¾" S | ¾" S | 140 | N: 24 Q: 16 R: 8 | POE/29 | 119-6401 119-6403 119-6406 |
| OP-HCZC0275U | 14 | | 7 | 6a | 17.4 | 27.6 | 19.7 | ¾" S | ¾" S | 150 | N: 28 Q: 17 R: 9 | POE/29 | 119-6401 119-6403 119-6406 |
| OP-HCZC0300U | 18 | | 7 | 6a | 21.4 | 31.5 | 24 | ¾" S | ¾" S | 150 | N: 40 Q: 23 R: 12 | POE/29 | 119-6401 119-6403 119-6406 |
| OP-HGZC0400U | 14 | | 15 | 8a | 21.8 | 39.4 | 27.6 | ¾" S | ½" S | 210 | N: 36 Q: 24 R: 12 | POE/63 | 119-6402 119-6404 119-6405 |
| OP-HGZC0500U | 18 | | 18.5 | 8a | 26.6 | 47.2 | 31.5 | ¾" S | ½" S | 300 | N: 52 Q: 32 R: 16 | POE/63 | 119-6402 119-6404 119-6405 |
| OP-HGZC0700U | 18 | | 28 | 8a | 26.6 | 47.2 | 31.5 | 1 ½" S | ½" S | 300 | Q: 40 R: 17 | POE/63 | 119-6404 119-6405 |
| OP-HGZC0900U | 22 | | 33 | 9a | 34.4 | 34.3 | 59.1 | 1 ½" S | ½" S | 500 | Q: 50 R: 26 | POE/132 | 119-6404 119-6405 |
| OP-HGZC1000U | 22 | | 33 | 9a | 34.4 | 34.3 | 59.1 | 1 ½" S | ½" S | 500 | Q: 60 R: 30 | POE/132 | 119-6404 119-6405 |
| OP-HGZC1200U | 22 | | 33 | 9a | 34.4 | 34.3 | 59.1 | 1 ½" S | ½" S | 510 | Q: 69 R: 33 | POE/132 | 119-6404 119-6405 |
| OP-HGZC1350U | 22 | | 40 | 9a | 34.4 | 34.3 | 59.1 | 1 ½" S | ½" S | 540 | Q: 75 R: 38 | POE/132 | 119-6404 119-6405 |

⁽¹⁾ Dimensions (in) available on page 37

⁽²⁾ Wiring diagram available on page 31
For spare parts, see pages 26

| Fan | Model no | Version | Electrical code | Code no | Compressor model | Amb. temp. | Capacity range in (btu/hr) at evaporating temperature | | | | | | | | | | Power consumption [W] at evap. temp. -10 F | |
|--------------|--------------|---------|-----------------|----------|------------------|------------|---|------|------|------|------|------|------|------|------|------|--|-----|
| | | | | | | °F | -40 | -35 | -30 | -25 | -20 | -15 | -10 | -5 | 0 | 5 | | 10 |
| Single fan | OP-UCHC0020R | WA | B | 114N2316 | TF4CLX | 90 | 350 | 400 | 450 | 550 | 600 | 700 | 800 | 900 | 1000 | 1100 | 1250 | 200 |
| | | | | | | 95 | 300 | 350 | 450 | 500 | 550 | 650 | 750 | 850 | 950 | 1050 | 1200 | |
| | | | | | | 100 | 300 | 350 | 400 | 450 | 550 | 600 | 700 | 800 | 900 | 1000 | 1100 | |
| | | | | | | 110 | 250 | 300 | 350 | 400 | 500 | 550 | 650 | 700 | 800 | 900 | - | |
| | OP-UCHC0025R | WB | B | 114N2318 | NF5.5CLX | 90 | 600 | 700 | 800 | 900 | 1050 | 1200 | 1350 | 1500 | 1650 | 1850 | 2050 | 300 |
| | | | | | | 95 | 550 | 650 | 750 | 900 | 1000 | 1150 | 1250 | 1400 | 1600 | 1750 | 1950 | |
| | | | | | | 100 | 550 | 600 | 700 | 850 | 950 | 1050 | 1200 | 1350 | 1500 | 1650 | 1850 | |
| | | | | | | 110 | 450 | 550 | 650 | 750 | 850 | 950 | 1100 | 1250 | 1350 | 1550 | 1700 | |
| | OP-UCHC0033R | WB | B | 114N2321 | NF7CLX | 90 | 750 | 850 | 1000 | 1100 | 1300 | 1450 | 1650 | 1800 | 2050 | 2250 | 2500 | 400 |
| | | | | | | 95 | 700 | 800 | 950 | 1050 | 1200 | 1400 | 1550 | 1750 | 1950 | 2150 | 2400 | |
| | | | | | | 100 | 650 | 750 | 850 | 1000 | 1150 | 1300 | 1450 | 1650 | 1850 | 2050 | 2250 | |
| | | | | | | 110 | 550 | 650 | 750 | 900 | 1000 | 1150 | 1350 | 1500 | - | - | - | |
| | OP-UCHC0050R | WB | B | 114N2324 | SC10CL | 90 | - | - | 1100 | 1300 | 1500 | 1700 | 1900 | 2150 | 2400 | 2700 | 2950 | 500 |
| | | | | | | 95 | - | - | 1000 | 1200 | 1400 | 1600 | 1850 | 2050 | 2300 | 2550 | 2850 | |
| | | | | | | 100 | - | - | 900 | 1100 | 1300 | 1500 | 1750 | 1950 | 2200 | 2450 | 2700 | |
| | | | | | | 110 | - | - | 750 | 950 | 1150 | 1350 | 1550 | 1750 | 2000 | 2250 | 2500 | |
| | OP-LCHC0050R | WB | B | 114N2389 | SC12CLX2 | 90 | 1050 | 1250 | 1450 | 1700 | 1950 | 2200 | 2500 | 2800 | 3150 | 3450 | 3850 | 650 |
| | | | | | | 95 | 950 | 1150 | 1350 | 1600 | 1850 | 2100 | 2400 | 2650 | 3000 | 3300 | 3650 | |
| | | | | | | 100 | 850 | 1050 | 1250 | 1500 | 1700 | 2000 | 2250 | 2500 | 2800 | 3150 | 3450 | |
| | | | | | | 110 | 700 | 900 | 1100 | 1300 | 1500 | 1750 | 2000 | 2300 | 2550 | 2850 | 3150 | |
| | OP-LCHC0060R | WB | B | 114N2335 | SC15CLX.2 | 90 | 1350 | 1550 | 1850 | 2100 | 2400 | 2700 | 3050 | 3400 | 3800 | 4200 | 4600 | 700 |
| | | | | | | 95 | 1250 | 1450 | 1700 | 1950 | 2250 | 2550 | 2900 | 3200 | 3600 | 3950 | 4350 | |
| | | | | | | 100 | 1150 | 1350 | 1600 | 1850 | 2100 | 2400 | 2700 | 3050 | 3400 | 3750 | 4100 | |
| | | | | | | 110 | 950 | 1150 | 1400 | 1600 | 1850 | 2150 | 2400 | 2700 | 3050 | 3350 | - | |
| | OP-LCHC0075R | WB | B | 114N2337 | NT2178GK | 90 | 1450 | 1800 | 2150 | 2550 | 2950 | 3400 | 3900 | 4400 | 4950 | 5550 | 6200 | 850 |
| | | | | | | 95 | 1400 | 1750 | 2100 | 2450 | 2900 | 3350 | 3800 | 4300 | 4850 | 5450 | 6100 | |
| | | | | | | 100 | - | 1650 | 2000 | 2400 | 2800 | 3250 | 3750 | 4250 | 4800 | 5350 | 6000 | |
| | OP-LCHC0075U | WC | N | 114N2338 | | 110 | - | - | - | - | - | 3100 | 3600 | 4100 | 4650 | 5200 | - | |
| OP-LCHC0100U | WD | N | 114N2339 | NJ2192GK | 90 | 1700 | 2250 | 2800 | 3400 | 4000 | 4650 | 5350 | 6000 | 6800 | 7550 | 8400 | 1150 | |
| | | | | | 95 | 1550 | 2100 | 2650 | 3200 | 3850 | 4500 | 5150 | 5850 | 6600 | 7400 | 8250 | | |
| | | | | | 100 | - | 1900 | 2500 | 3050 | 3650 | 4300 | 5000 | 5700 | 6450 | 7250 | 8100 | | |
| | | | | | 110 | - | - | - | - | - | 4000 | 4700 | 5400 | 6150 | 7000 | - | | |

Test condition

Return gas temperature 65°F
Subcooling 5°F

Electrical code

B: Compressor & fan(s) 115V, 1 ph, 60 Hz
N: Compressor & fan(s) 230V, 1 ph, 60 Hz

Version

WA: Power cord
WB: Power cord, Receiver
WC: Electrical box, Receiver
WD: Electrical box, Receiver, Low pressure control

HP rating in hundredths of HP, i.e.: 033=1/3hp, (OP-UCGC0100U:0100=1hp)
Power consumption referred at 90°F ambient temperature

| Model no | Condenser fan | Receiver lbs @ 90% | Dimensions (in) ⁽¹⁾ | | | | | | Weight (lbs) | MCA (A) | Oil Type / Charge (oz) | Wiring diagram code ⁽²⁾ |
|--------------|------------------|--------------------|--------------------------------|---------------|--------------|--------------|--------------|-------------|--------------|---------|------------------------|------------------------------------|
| | Fan blade Ø (in) | | Figure | Height H (in) | Width W (in) | Depth D (in) | Suction line | Liquid line | Gross | | | |
| OP-UCHC0020R | 9 | - | 1 | 10.2 | 12.3 | 14 | 3/8" F | 1/4" F | 39 | 5.2 | POE / 9.5 | 119-3987 |
| OP-UCHC0025R | 9 | 2.16 | 2 | 10.3 | 13.5 | 17 | 3/8" F | 1/4" F | 50 | 6.2 | POE / 10.8 | 119-3987 |
| OP-UCHC0033R | 9 | 2.16 | 2 | 10.3 | 13.5 | 17 | 3/8" F | 1/4" F | 49 | 7.6 | POE / 10.8 | 119-3987 |
| OP-UCHC0050R | 10 | 2.16 | 3 | 11.8 | 13.5 | 17 | 3/8" F | 1/4" F | 60 | 11.8 | POE / 18.6 | 119-3993 |
| OP-UCHC0050U | | | | | | | | | 58 | 4.3 | | 119-3995 |
| OP-LCHC0050R | 10 | 2.16 | 3 | 11.9 | 13.5 | 17.3 | 1/2" F | 1/4" F | 58 | 11.8 | POE / 18.6 | 119-3993 |
| OP-LCHC0060R | 10 | 2.16 | 3 | 11.8 | 13.5 | 17 | 3/8" F | 1/4" F | 58 | 14.2 | POE / 18.6 | 119-3983 |
| OP-LCHC0060U | | | | | | | | | | 6.3 | | 119-3990 |
| OP-LCHC0075R | 10 | 4 | 4 | 11.9 | 13.3 | 18 | 1/2" F | 1/4" F | 76 | 12.2 | POE / 19.6 | 119-3992 |
| OP-LCHC0075U | | | | | | | 5/8" F | | | 5.5 | | 119-3990 |
| OP-LCHC0100U | 12 | 4 | 4 | 13.4 | 17.5 | 19 | 1/2" F | 1/2" F | 105 | 8 | POE / 30.1 | 119-3990 |

⁽¹⁾ Dimensions (in) available on page 37

⁽²⁾ Wiring diagram available on page 31
For spare parts, see pages 26

| Fan | Model no | Version | Electrical code | Code no | Compressor model | Amb. temp. | Capacity range in (btu/hr) at evaporating temperature | | | | | | | | Power consumption [W] at evap. temp. -10 F | AWEF |
|------------|--------------|---------|-----------------|----------------------------------|------------------|------------|---|-------|-------|-------|-------|-------|-------|-------|--|---------------------|
| | | | | | | °F | -40 | -35 | -30 | -25 | -20 | -15 | -10 | -5 | | |
| Single fan | OP-LCHC0150U | WF | N Q | 114N6725 114N6726 | NTZ048A | 90 | 2911 | 3625 | 4394 | 5214 | 6082 | 6993 | 7944 | 8929 | 1901 | 6.81 6.63 |
| | | | | | | 95 | 2657 | 3342 | 4076 | 4858 | 5683 | 6547 | 7447 | 8378 | | |
| | | | | | | 100 | 2405 | 3060 | 3761 | 4504 | 5286 | 6104 | 6954 | 7831 | | |
| | | | | | | 105 | - | 2781 | 3448 | 4153 | 4893 | 5664 | 6464 | 7288 | | |
| | | | | | | 110 | - | - | 3138 | 3805 | 4503 | 5228 | 5979 | 6750 | | |
| | OP-LCHC0200U | WF | N Q R | 114N6729 114N6730 114N6731 | NTZ068A | 90 | 4571 | 5324 | 6147 | 7041 | 8004 | 9036 | 10130 | 11290 | 2679 | 3.61 3.5 3.51 |
| | | | | | | 95 | 4227 | 4943 | 5724 | 6572 | 7486 | 8465 | 9505 | 10600 | | |
| | | | | | | 100 | 3898 | 4579 | 5320 | 6122 | 6987 | 7913 | 8898 | 9938 | | |
| | | | | | | 105 | - | 4230 | 4932 | 5690 | 6507 | 7381 | 8310 | 9292 | | |
| | | | | | | 110 | - | - | 4559 | 5275 | 6044 | 6866 | 7741 | 8665 | | |
| | OP-LCHC0300U | WF | N Q | 114N6733 114N6734 | NTZ108A | 90 | 5850 | 7248 | 8720 | 10240 | 11800 | 13360 | 14910 | 16420 | 4146 | 3.19 |
| | | | | | | 95 | 5375 | 6708 | 8104 | 9544 | 11010 | 12470 | 13920 | 15320 | | |
| | | | | | | 100 | 4889 | 6158 | 7480 | 8837 | 10210 | 11580 | 12920 | 14220 | | |
| | | | | | | 105 | - | 5601 | 6849 | 8124 | 9406 | 10680 | 11920 | 13120 | | |
| | | | | | | 110 | - | - | 6213 | 7406 | 8600 | 9777 | 10920 | 12020 | | |
| Two fan | OP-LGHC0400U | WF | N Q R | 114N6737 114N6738 114N6739 | NTZ136A | 90 | 9106 | 11160 | 13370 | 15740 | 18250 | 20910 | 23700 | 26610 | 5644 | 3.29 |
| | | | | | | 95 | 8364 | 10340 | 12470 | 14740 | 17150 | 19690 | 22350 | 25120 | | |
| | | | | | | 100 | 7626 | 9529 | 11570 | 13750 | 16050 | 18470 | 21000 | 23640 | | |
| | | | | | | 105 | - | 8723 | 10680 | 12750 | 14950 | 17250 | 19660 | 22150 | | |
| | | | | | | 110 | - | - | 9791 | 11770 | 13850 | 16040 | 18320 | 20670 | | |
| | OP-LGHC0600U | WF | Q R | 114N6741 114N6742 | NTZ215A | 90 | 14890 | 17940 | 21250 | 24820 | 28630 | 32690 | 36990 | 41500 | 7858 | 3.66 3.63 |
| | | | | | | 95 | 13630 | 16570 | 19760 | 23180 | 26830 | 30700 | 34800 | 39090 | | |
| | | | | | | 100 | 12340 | 15170 | 18230 | 21500 | 24980 | 28670 | 32560 | 36640 | | |
| | | | | | | 105 | - | 13750 | 16670 | 19790 | 23110 | 26610 | 30300 | 34160 | | |
| | | | | | | 110 | - | - | 15100 | 18060 | 21210 | 24530 | 28020 | 31660 | | |
| | OP-LGHC0750U | WF | Q R | 114N6744 114N6745 | NTZ271A | 90 | 20210 | 24010 | 28100 | 32460 | 37070 | 41920 | 46960 | 52180 | 10250 | 3.47 3.45 |
| | | | | | | 95 | 18820 | 22450 | 26350 | 30500 | 34880 | 39470 | 44230 | 49160 | | |
| | | | | | | 100 | 17400 | 20870 | 24580 | 28520 | 32660 | 36990 | 41480 | 46110 | | |
| | | | | | | 105 | - | 19280 | 22800 | 26520 | 30430 | 34500 | 38710 | 43050 | | |
| | | | | | | 110 | - | - | 21010 | 24510 | 28180 | 31990 | 35930 | 39980 | | |

Test condition

Return gas temperature 40°F
Subcooling 5°F

Electrical code

N: Compressor & fan(s) 230V, 1 ph, 60 Hz
Q: Compressor 208-230V, 3ph, 60 Hz / Fan(s) 230V, 1ph, 60 Hz
R: Compressor 460V, 3ph, 60 Hz / Fan(s) 460V, 1ph, 60 Hz

Version

WF: WE + Filter drier, Sight glass, Solenoid valve with coil

HP rating in hundredths of HP, ie.: 033=1/3hp, (OP-UCGC0100U:0100=1hp)
Power consumption referred at 90°F ambient temperature

| Model no | Condenser fan | Receiver lbs @ 90% | Dimensions (in) ⁽¹⁾ | | | | | | Weight (lbs) | MCA (A) | Oil Type / Charge (oz) | Wiring diagram code ⁽²⁾ |
|--------------|------------------|--------------------|--------------------------------|---------------|--------------|--------------|--------------|-------------|--------------|-------------------------|------------------------|------------------------------------|
| | Fan blade Ø (in) | | Figure | Height H (in) | Width W (in) | Depth D (in) | Suction line | Liquid line | Gross | | | |
| OP-LCZC0150U | 14 | 10 | 6a | 16.3 | 20.1 | 25 | ½" S | ¾" S | 130 | N: 18 Q: 11 R: 5 | POE / 29 | 119-6401 119-6403 119-6406 |
| OP-LCZC0200U | 14 | 10 | 6a | 16.3 | 20.1 | 25 | ¾" S | ¾" S | 130 | N: 24 Q: 19 R: 6 | POE / 29 | 119-6401 119-6403 119-6406 |
| OP-LCZC0300U | 14 | 10 | 7a | 17.4 | 27.5 | 27 | ¾" S | ½" S | 150 | N: 32 Q: 21 R: 10 | POE / 63 | 119-6401 119-6403 119-6406 |
| OP-LGZC0400U | 14 | 17.5 | 8a | 21.8 | 39.4 | 27.6 | ¾" S | ½" S | 210 | N: 36 Q: 78 R: 12 | POE / 63 | 119-6402 119-6404 119-6405 |
| OP-LGZC0600U | 18 | 26 | 9a | 26.4 | 47.2 | 31.5 | 1 ½" S | ½" S | 300 | Q: 43 R: 17 | POE / 132 | 119-6404 119-6405 |
| OP-LGZC0751U | 18 | 26 | 9a | 26.4 | 47.2 | 31.5 | 1 ½" S | ½" S | 300 | Q: 53 R: 22 | POE / 132 | 119-6404 119-6405 |

⁽¹⁾ Dimensions (in) available on page 37

⁽²⁾ Wiring diagram available on page 31
For spare parts, see pages 26

| Fan | Model no | Version | Electrical code | Code no | Compressor model | Amb. temp. | Capacity range in (btu/hr) at evaporating temperature | | | | | | | | Power consumption [W] at evap. temp. -10 F | Power Consumption [W] at evap. Temp. 20°F | | |
|--------------|----------------|----------------|----------------------|----------------------|------------------|------------|---|------|------|------|------|------|------|------|--|---|-----|-----|
| | | | | | | °F | -30 | -20 | -10 | 0 | 10 | 20 | 30 | 40 | | | 50 | |
| Single fan | OP-MCNC0015R | DF600 DF602 | B | 114N2090 114N2117 | NBC30NR | 90 | 313 | 425 | 596 | 758 | 950 | 1171 | 1403 | | | 118 | 155 | |
| | | | | | | 95 | 294 | 382 | 573 | 717 | 910 | 1120 | 1341 | | | | | |
| | | | | | | 100 | 278 | 360 | 543 | 681 | 870 | 1073 | 1278 | | | | | |
| | | | | | | 105 | 262 | 339 | 514 | 645 | 829 | 1026 | 1216 | | | | | |
| | OP-MCNC0020R | DF600 DF602 | B | 114N2092 114N2119 | NUT55LRb | 90 | 790 | 999 | 1299 | 1537 | 1816 | 2091 | 2383 | | | 186 | 268 | |
| | | | | | | 95 | 743 | 910 | 1252 | 1464 | 1744 | 2007 | 2297 | | | | | |
| | | | | | | 100 | 702 | 859 | 1193 | 1397 | 1670 | 1925 | 2208 | | | | | |
| | | | | | | 105 | 661 | 809 | 1133 | 1329 | 1595 | 1844 | | | | | | |
| | OP-MCNC0033R | WA000 WA002 | B | 114N2097 114N2123 | DLE6.5CN | 90 | 950 | 1177 | 1523 | 1798 | 2118 | 2432 | 2766 | 3099 | | | 244 | 334 |
| | | | | | | 95 | 891 | 1054 | 1467 | 1704 | 2027 | 2326 | 2657 | | | | | |
| | | | | | | 100 | 839 | 990 | 1392 | 1619 | 1934 | 2223 | | | | | | |
| | | | | | | 105 | 788 | 927 | 1318 | 1535 | 1840 | | | | | | | |
| | OP-MCNC0050R | DF600 DF602 | B | 114N2094 114N2121 | NLY12NRb | 90 | 1122 | 1494 | 2019 | 2508 | 3065 | 3637 | 4240 | 4850 | | | 398 | 574 |
| | | | | | | 95 | 1069 | 1375 | 1956 | 2399 | 2950 | 3495 | 4084 | | | | | |
| | | | | | | 100 | 1024 | 1313 | 1875 | 2301 | 2832 | 3357 | 3927 | | | | | |
| | | | | | | 105 | 978 | 1252 | 1795 | 2202 | 2715 | 3220 | 3725 | | | | | |
| | OP-MCNC0050R | WA000 WA002 | B | 114N2091 114N2118 | NLY12NRb | 90 | 1122 | 1494 | 2019 | 2508 | 3065 | 3637 | 4240 | 4850 | | | 398 | 574 |
| | | | | | | 95 | 1069 | 1375 | 1956 | 2399 | 2950 | 3495 | 4084 | | | | | |
| | | | | | | 100 | 1024 | 1313 | 1875 | 2301 | 2832 | 3357 | 3927 | | | | | |
| | | | | | | 105 | 978 | 1252 | 1795 | 2202 | 2715 | 3220 | 3725 | | | | | |
| | OP-MCNC0075R | DF600 DF602 | B | 114N2095 114N2122 | NPT14ND | 90 | 1438 | 1881 | 2552 | 3206 | 3972 | 4776 | 5637 | | | 518 | 741 | |
| | | | | | | 95 | 1370 | 1733 | 2475 | 3073 | 3831 | 4598 | | | | | | |
| | | | | | | 100 | 1311 | 1657 | 2376 | 2952 | 3684 | 4425 | | | | | | |
| | | | | | | 105 | 1252 | 1581 | 2278 | 2831 | 3538 | 4253 | | | | | | |
| | OP-LCNC0075R | DF600 | B | 114N2104 | NPT16LR | 90 | 1239 | 1569 | 2065 | 2505 | 3001 | | | | | 566 | - | |
| | | | | | | 95 | | 1436 | 1997 | 2389 | | | | | | | | |
| | | | | | | 100 | | 1368 | 1911 | 2284 | | | | | | | | |
| | | | | | | 105 | | 1301 | 1824 | | | | | | | | | |
| OP-MCNC0075R | WA000 WA002 | B | 114N2098 114N2124 | NPT14 ND | 90 | 1438 | 1881 | 2552 | 3206 | 3972 | 4776 | 5637 | | | 513 | 734 | | |
| | | | | | 95 | 1370 | 1733 | 2475 | 3073 | 3831 | 4598 | | | | | | | |
| | | | | | 100 | 1311 | 1657 | 2376 | 2952 | 3684 | 4425 | | | | | | | |
| | | | | | 105 | 1252 | 1581 | 2278 | 2831 | 3538 | 4253 | | | | | | | |
| OP-MCNC0075R | WA000 WA002 | N | 114N2099 114N2125 | SCE15MNX | 90 | | | 2857 | 3568 | 4391 | 5262 | 6232 | 7275 | 8905 | 509 | 682 | | |
| | | | | | 95 | | | 2754 | 3404 | 4229 | 5066 | 6018 | 7021 | 8598 | | | | |
| | | | | | 100 | | | 2629 | 3250 | 4050 | 4855 | 5773 | 6738 | | | | | |
| | | | | | 105 | | | 2505 | 2941 | 3611 | 4807 | 5389 | 6564 | | | | | |
| OP-MCNC0100R | WA000 WA002 | B | 114N2100 114N2126 | SCE18MNX | 90 | | | 3263 | 4033 | 4947 | 5897 | 6941 | 8030 | 9828 | 612 | 813 | | |
| | | | | | 95 | | | 3166 | 3841 | 4753 | 5646 | 6666 | 7704 | 9434 | | | | |
| | | | | | 100 | | | 3008 | 3651 | 4541 | 5401 | 6389 | 7390 | | | | | |
| | | | | | 105 | | | 2846 | 3461 | 4329 | 5157 | 6113 | | | | | | |
| OP-MCNC0100R | WA000 WA002 | B | 114N2101 114N2127 | NPT16NF | 90 | 2138 | 2840 | 3765 | 4579 | 5511 | 6454 | 7457 | 8477 | | | 637 | 909 | |
| | | | | | 95 | 2019 | 2571 | 3628 | 4350 | 5282 | 6181 | 7174 | 8163 | | | | | |
| | | | | | 100 | 1915 | 2430 | 3452 | 4143 | 5045 | 5917 | 6885 | | | | | | |
| | | | | | 105 | 1811 | 2289 | 3275 | 3935 | 4808 | 5653 | 6596 | | | | | | |

Test condition

Return gas temperature 65°F
Subcooling 5°F

Electrical code

B: Compressor & fan(s) 115V, 1 ph, 60 Hz
N: Compressor & fan(s) 230V, 1 ph, 60 Hz

Version

DF: Plastic baseplate
WA: Power cord

HP rating in hundredths of HP, ie.: 033=1/3hp, (OP-UCGC0100U:0100=1hp)
Power consumption referred at 90°F ambient temperature

| Model no | Condenser fan | Receiver lbs @ 90% | Dimensions (in) ⁽¹⁾ | | | | | | Weight (lbs) | | MCA (A) | Oil Type / Charge (oz) | Wiring diagram code ⁽²⁾ |
|--------------|------------------|--------------------|--------------------------------|---------------|--------------|--------------|--------------|-------------|--------------|-------|------------|------------------------|------------------------------------|
| | Fan blade Ø (in) | | Figure | Height H (in) | Width W (in) | Depth D (in) | Suction line | Liquid line | Gross | | | | |
| OP-MCNC0015R | 4.75 | - | 12a | 17.20 | 8.27 | 8.50 | 1/4" S | 2.8 mm S | 30.78 | 2.19 | POE / 4.2 | 119-9261 | |
| OP-MCNC0020R | 4.75 | - | 12a | 17.20 | 8.27 | 8.50 | 1/4" S | 2.8 mm S | 38.34 | 3.07 | POE / 7 | 119-9262 | |
| OP-MCNC0033R | 8 | - | 13a | 13.78 | 11.26 | 8.98 | 1/4" S | 1/4" S | 35.75 | 5.65 | POE / 7.8 | 119-3993 | |
| OP-MCNC0050R | 10 | - | 14a | 17.01 | 13.11 | 12.44 | 5/16" S | 2.8 mm S | 49.25 | 7.39 | POE / 13.9 | 119-9262 | |
| OP-MCNC0050R | 10 | - | 14a | 17.01 | 13.23 | 11.89 | 5/16" S | 2.8 mm S | 48.46 | 7.39 | POE / 13.9 | 119-9262 | |
| OP-MCNC0075R | 10 | - | 14a | 17.01 | 12.99 | 12.44 | 5/16" S | 1/4" S | 58.01 | 7.7 | POE / 14.1 | 119-9262 | |
| OP-LCNC0075R | 8 | - | 15a | 20.08 | 10.55 | 9.84 | 5/16" S | 1/4" S | 59.62 | 7.27 | POE / 14.1 | 119-9262 | |
| OP-MCNC0075R | 10 | - | 14a | 17.01 | 13.23 | 11.89 | 5/16" S | 1/4" S | 60.21 | 7.7 | POE / 14.1 | 119-9262 | |
| OP-MCNC0075R | 10 | - | 14a | 17.01 | 13.23 | 11.89 | 3/8" S | 1/4" S | 64.5 | 5.21 | POE / 19.4 | 119-3990 | |
| OP-MCNC0100R | 12 | - | 16a | 19.02 | 15.98 | 13.94 | 3/8" S | 1/4" S | 64.5 | 11.93 | POE / 19.4 | 119-3992 | |
| OP-MCNC0100R | 12 | - | 16a | 19.02 | 15.98 | 13.94 | 5/16" S | 1/4" S | 59.91 | 4.39 | POE / 15.8 | 119-9263 | |

⁽¹⁾ Dimensions (in) available on page 37

⁽²⁾ Wiring diagram available on page 31
For spare parts, see pages 26

Opty™ condensing unit - MBP

| Unit | N | Q | R | Compressor | | | | | Contactor | Service valve | | |
|----------|----------|----------|----------|-------------------------------|--|-----------------|---------------|-------------|---|-------------------------------|-----------|----------------|
| | | | | 4 | Code number | Start capacitor | Run Capacitor | Start Relay | | Suction | Discharge | Receiver valve |
| HCZC0150 | 114N3601 | 114N3602 | 114N3603 | MTZ18-1 MTZ18-3 MTZ18-4 | N: MTZ18-1VI Q: MTZ18-3VI R: MTZ18-4VI | N: 119-5637 | N: 119-5617 | N: 119-5616 | N: 119-8784 Q,R: 119-5640 | 119-4545 | 119-4545 | 119-8785 |
| HCZC0200 | 114N3604 | 114N3605 | 114N3606 | MTZ22-1 MTZ22-3 MTZ22-4 | MTZ22-1VI MTZ22-3VI MTZ22-4VI | N: 119-5637 | N: 119-5618 | N: 119-5616 | N: 119-8784 Q,R: 119-5640 | N: 119-4546 Q, R: 119-4545 | 119-4545 | 119-8785 |
| HCZC0250 | 114N3607 | 114N3608 | 114N3609 | MTZ28-1 MTZ28-3 MTZ28-4 | MTZ28-1VI MTZ28-3VI MTZ28-4VI | N: 119-5636 | N: 119-5619 | N: 119-5616 | N: 119-8784 Q,R: 119-5640 | N: 119-4546 Q, R: 119-4545 | 119-4545 | 119-8785 |
| HCZC0275 | 114N3610 | 114N3611 | 114N3612 | MTZ36-1 MTZ36-3 MTZ36-4 | MTZ36-1VI MTZ36-3VI MTZ36-4VI | N: 119-5637 | N: 119-5618 | N: 119-5616 | N: 119-8784 Q,R: 119-5640 | 119-4546 | 119-4545 | 119-8785 |
| HCZC0300 | 114N3614 | 114N3615 | 114N3616 | MTZ40-1 MTZ40-3 MTZ40-4 | MTZ40-1VI MTZ40-3VI MTZ40-4VI | N: 119-5637 | N: 119-5620 | N: 119-5616 | N: 119-8784 Q,R: 119-5640 | 119-4546 | 119-4545 | 119-8785 |
| HGZC0400 | 114N3617 | 114N3618 | 114N3619 | MTZ50-1 MTZ50-3 MTZ50-4 | MTZ50-1VI MTZ50-3VI MTZ50-4VI | N: 119-5636 | N: 119-5618 | N: 119-5616 | N: 119-4652 Q: 119-5639 R: 119-5640 | 119-4549 | 119-4546 | 119-4545 |
| HGZC0500 | 114N3621 | 114N3622 | 114N3623 | MTZ64-1 MTZ64-3 MTZ64-4 | MTZ64-1VI MTZ64-3VI MTZ64-4VI | N: 119-5635 | N: 119-5620 | N: 119-5616 | N: 119-4652 Q: 119-5639 R: 119-5640 | 119-4549 | 119-4547 | 119-4545 |
| HGZC0700 | | 114N3626 | 114N3627 | MTZ80-3 MTZ80-4 | MTZ80-3VI MTZ80-4VI | --- | --- | --- | Q: 119-4652 R: 119-5640 | 119-4549 | 119-4547 | 119-4545 |
| HGZC0900 | | 114N3628 | 114N3629 | MTZ100-3 MTZ100-4 | MTZ100-3VI MTZ100-4VI | --- | --- | --- | Q: 119-4652 R: 119-5639 | 119-4550 | 119-4548 | 119-4545 |
| HGZC1000 | | 114N3631 | 114N3632 | MTZ125-3 MTZ125-4 | MTZ125-3VI MTZ125-4VI | --- | --- | --- | Q: 119-4652 R: 119-5639 | 119-4550 | 119-4548 | 119-4545 |
| HGZC1200 | | 114N3633 | 114N3634 | MTZ144-3 MTZ144-4 | MTZ144-3VI MTZ144-4VI | --- | --- | --- | Q: 119-4652 R: 119-5639 | 119-4550 | 119-4548 | 119-4545 |
| HGZC1350 | | 114N3636 | 114N3637 | MTZ160-3 MTZ160-4 | MTZ160-3VI MTZ160-4VI | --- | --- | --- | Q: 119-4652 R: 119-5639 | 119-4550 | 119-4548 | 119-4545 |

| Unit | Oil | Condenser kit | Low pressure switch | Fan kit | Fan cycling | Filter drier | Receiver | Sight glass | Transformer |
|----------|----------|---------------|---------------------|------------------------------|-------------|--------------|----------|-------------|-------------|
| HCZC0150 | 120Z0638 | 119-8720 | 060-5253 | N,Q: 119-8716 R: 119-8718 | 060-5241 | 023Z5058 | 119-8733 | 014L0182 | R: 119-8687 |
| HCZC0200 | 120Z0638 | 119-8720 | 060-5253 | N,Q: 119-8716 R: 119-8718 | 060-5241 | 023Z5058 | 119-8733 | 014L0182 | R: 119-8687 |
| HCZC0250 | 120Z0638 | 119-8726 | 060-5253 | N,Q: 119-8716 R: 119-8718 | 060-5241 | 023Z5064 | 119-8733 | 014L0182 | R: 119-8687 |
| HCZC0275 | 120Z0638 | 119-8726 | 060-5253 | N,Q: 119-8716 R: 119-8718 | 060-5241 | 023Z5064 | 119-8733 | 014L0182 | R: 119-8687 |
| HCZC0300 | 120Z0638 | 119-8727 | 060-5253 | N,Q: 119-8715 R: 119-8714 | 060-5241 | 023Z5064 | 119-8733 | 014L0182 | R: 119-8687 |
| HGZC0400 | 120Z0638 | 119-8721 | 060-5253 | N,Q: 119-8716 R: 119-8718 | 060-5241 | 023Z5067 | 119-8731 | 014L0203 | R: 119-8687 |
| HGZC0500 | 120Z0638 | 119-8722 | 060-5253 | N,Q: 119-8715 R: 119-8714 | 060-5241 | 023Z5067 | 119-8732 | 014L0203 | R: 119-8687 |
| HGZC0700 | 120Z0638 | 119-8724 | 060-5253 | Q: 119-8715 R: 119-8714 | 060-5241 | 023Z5067 | 119-8728 | 014L0203 | R: 119-8687 |
| HGZC0900 | 120Z0638 | 119-8725 | 060-5253 | Q: 119-8717 R: 119-8719 | 060-5241 | 023Z5067 | 119-8729 | 014L0203 | R: 119-8687 |
| HGZC1000 | 120Z0638 | 119-8725 | 060-5253 | Q: 119-8717 R: 119-8719 | 060-5241 | 023Z5067 | 119-8729 | 014L0203 | R: 119-8687 |
| HGZC1200 | 120Z0638 | 119-8725 | 060-5253 | Q: 119-8717 R: 119-8719 | 060-5241 | 023Z5067 | 119-8729 | 014L0203 | R: 119-8687 |
| HGZC1350 | 120Z0638 | 119-8725 | 060-5253 | Q: 119-8717 R: 119-8719 | 060-5241 | 023Z5067 | 119-8730 | 014L0203 | R: 119-8687 |

Optyma™ condensing unit R404A/R507 - LBP

| Unit | N | Q | R | Compressor | | | | | Contactor | Service valve | | |
|----------|----------|----------|----------|---|---|-----------------|---------------|-------------|---|---------------|-----------|----------------|
| | | | | Model no | Code number | Start capacitor | Run Capacitor | Start Relay | | Suction | Discharge | Receiver valve |
| LCHC0151 | 114N6725 | 114N6726 | | N: NTZ048A1 Q: NTZ048A3 | N: 120F0293 Q: 120F0279 | N: 119-5637 | N: 119-5618 | N: 119-5616 | N: 119-8784 Q: 119-5640 | 119-4546 | 119-4545 | 119-8785 |
| LCHC0201 | 114N6729 | 114N6730 | 114N6731 | N: NTZ068A1 Q: NTZ068A3 R: NTZ068A4 | N: 120F0294 Q: 120F0280 R: 120F0230 | N: 119-5636 | N: 119-5619 | N: 119-5616 | N: 119-8784 Q,R: 119-5640 | 119-4546 | 119-4545 | 119-8785 |
| LCHC0301 | 114N6733 | 114N6734 | | N: NTZ108A1 Q: NTZ108A3 | N: 120F0296 Q: 120F0282 | N: 119-5636 | N: 119-5618 | N: 119-5616 | N: 119-8784 Q: 119-5640 | 119-4549 | 119-4546 | 119-8785 |
| LGHC0401 | 114N6737 | 114N6738 | 114N6739 | N: NTZ136A1 Q: NTZ136A3 R: NTZ136A4 | N: 120F0297 Q: 120F0283 R: 120F0236 | N: 119-5636 | N: 119-5618 | N: 119-5616 | N: 119-4652 Q: 119-5639 R: 119-5640 | 119-4549 | 119-4546 | 119-4545 |
| LGHC0601 | | 114N6741 | 114N6742 | Q: NTZ215A1 R: NTZ215A3 | N: 120F0284 Q: 120F0240 | --- | --- | --- | Q: 119-4652 R: 119-5639 | 119-4550 | 119-4547 | 119-4545 |
| LGHC0751 | | 114N6744 | 114N6745 | Q: NTZ271A1 R: NTZ271A3 | N: 120F0285 Q: 120F0242 | --- | --- | --- | Q: 119-4652 R: 119-5639 | 119-4550 | 119-4547 | 119-4545 |

| Unit | Oil | Condenser kit | pressure switch | Fan kit | Fan cycling | Filter drier | Receiver | Sight glass | Transformer |
|----------|----------|---------------|-----------------|------------------------------|-------------|--------------|----------|-------------|-------------|
| LCHC0151 | 120Z0638 | 119-8720 | 060-5249 | 119-8716 | 060-5241 | 023Z5058 | 119-8733 | 014L0182 | --- |
| LCHC0201 | 120Z0638 | 119-8720 | 060-5249 | N,Q: 119-8716 R: 119-8718 | 060-5241 | 023Z5058 | 119-8733 | 014L0182 | R: 119-8687 |
| LCHC0301 | 120Z0638 | 119-8726 | 060-5249 | 119-8716 | 060-5241 | 023Z5064 | 119-8733 | 014L0182 | --- |
| LGHC0401 | 120Z0638 | 119-8721 | 060-5249 | N,Q: 119-8716 R: 119-8718 | 060-5241 | 023Z5067 | 119-8731 | 014L0203 | R: 119-8687 |
| LGHC0601 | 120Z0638 | 119-8723 | 060-5249 | Q: 119-8715 R: 119-8714 | 060-5241 | 023Z5067 | 119-8728 | 014L0203 | R: 119-8687 |
| LGHC0751 | 120Z0638 | 119-8723 | 060-5249 | Q: 119-8715 R: 119-8714 | 060-5241 | 023Z5067 | 119-8728 | 014L0203 | R: 119-8687 |

Optyma™ condensing unit R448A / R449A – H/MBP

| Code no | Compressor | | | Fan Motor | Fan Blade | Condenser | Low Pressure Switch | Fan Cycling | Start Capacitor | Run Capacitor | Relay | LP Hose | HP Hose FC Hose |
|----------------------|--|---------|----------|-----------|-----------|-----------|---------------------|-------------|-----------------|---------------|----------|---------|-----------------|
| | Model No | Model | Code No | | | | | | | | | | |
| 114N2088 114N2107 | OP-HCYC0075RC0001N OP-HCYC0075RC0002N | MPT14RF | 123B2543 | 119-5665 | 119-5672 | 119-9260 | N/A | N/A | 123B9321 | 123B9208 | 123B9160 | N/A | N/A |
| 114N2089 114N2108 | OP-HCYC0100RC0001N OP-HCYC0100RC0002N | MX18TGa | 123B2541 | 119-5665 | 119-5672 | 119-9260 | N/A | N/A | 123B9304 | 123B9203 | 123B9159 | N/A | N/A |
| 114N2102 114N2109 | OP-HCYC0075RC0001B OP-HCYC0075RC0002B | MPT14RD | 123B2544 | 119-5663 | 119-5672 | 119-9260 | N/A | N/A | 123B9324 | 123B9221 | 123B9140 | N/A | N/A |

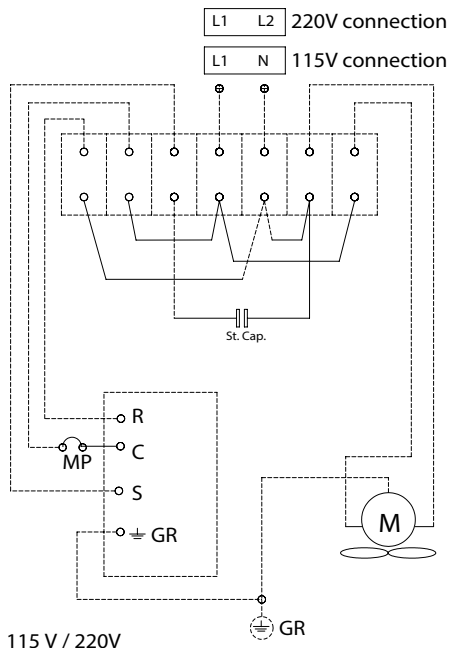
Opty™ condensing unit R290 – L/MBP

| Code no | Compressor | | | Fan Motor | Fan Blade | Condenser | Low Pressure Switch | Fan Cycling | Start Capacitor | Run Capacitor | Relay | LP Hose | HP Hose FC Hose |
|----------|--------------------|----------|----------|-----------|-----------|-----------|---------------------|-------------|-----------------|---------------|----------|---------|-----------------|
| | Model No | Model | Code No | | | | | | | | | | |
| 114N2090 | OP-MCNC0015RDF600B | NBC30NR | 123B8311 | 119-9246 | N/A | 119-9240 | N/A | N/A | 123B9323 | N/A | 123B9182 | N/A | N/A |
| 114N2117 | OP-MCNC0015RDF602B | | | | | | | | | | | | |
| 114N2092 | OP-MCNC0020RDF600B | NUT55LRb | 125B3165 | 119-9246 | N/A | 119-9240 | N/A | N/A | 123B9328 | 123B9216 | 123B9189 | N/A | N/A |
| 114N2119 | OP-MCNC0020RDF602B | | | | | | | | | | | | |
| 114N2097 | OP-MCNC0033RWA000B | DLE6.5CN | 119-9349 | 119-9344 | 119-9252 | 119-9242 | N/A | N/A | 117U5023 | N/A | 117U7013 | N/A | N/A |
| 114N2123 | OP-MCNC0033RWA002B | | | | | | | | | | | | |
| 114N2094 | OP-MCNC0050RDF600B | NLY12NRb | 123B3304 | 119-9247 | 119-5672 | 119-8703 | N/A | N/A | 123B9314 | 123B9216 | 123B9187 | N/A | N/A |
| 114N2121 | OP-MCNC0050RDF602B | | | | | | | | | | | | |
| 114N2091 | OP-MCNC0050RWA000B | NLY12NRb | 123B3304 | 119-9247 | 119-5672 | 119-8703 | N/A | N/A | 123B9314 | 123B9216 | 123B9187 | N/A | N/A |
| 114N2118 | OP-MCNC0050RWA002B | | | | | | | | | | | | |
| 114N2095 | OP-MCNC0075RDF600B | NPT14ND | 123B3328 | 119-9247 | 119-5672 | 119-8703 | N/A | N/A | 123B9328 | 123B9227 | 123B9143 | N/A | N/A |
| 114N2122 | OP-MCNC0075RDF602B | | | | | | | | | | | | |
| 114N2098 | OP-MCNC0075RWA000B | NPT14ND | 123B3328 | 119-9247 | 119-5672 | 119-8703 | N/A | N/A | 123B9328 | 123B9227 | 123B9143 | N/A | N/A |
| 114N2124 | OP-MCNC0075RWA002B | | | | | | | | | | | | |
| 114N2099 | OP-MCNC0075RWA000N | SCE15MNX | 119-9347 | 119-9247 | 119-5672 | 119-8703 | N/A | N/A | 117U5017 | N/A | 117U7405 | N/A | N/A |
| 114N2125 | OP-MCNC0075RWA002N | | | | | | | | | | | | |
| 114N2100 | OP-MCNC0100RWA000B | SCE18MNX | 119-9345 | 119-9247 | 119-5674 | 119-5642 | N/A | N/A | 117U5017 | N/A | 117U7406 | N/A | N/A |
| 114N2126 | OP-MCNC0100RWA002B | | | | | | | | | | | | |
| 114N2101 | OP-MCNC0100RWA000N | NPT16NF | 123B3326 | 119-9247 | 119-5674 | 119-5642 | N/A | N/A | 123B9302 | 123B9222 | 123B9160 | N/A | N/A |
| 114N2127 | OP-MCNC0100RWA002N | | | | | | | | | | | | |
| 114N2104 | OP-LCNC0075RDF600B | NPT16LR | 123B3165 | 119-9348 | 119-5670 | 119-5626 | N/A | N/A | 123B9329 | 123B9221 | 123B9143 | N/A | N/A |

| Spare Part Number | Raw material | Spare Part Description |
|-------------------|--------------|--|
| 119-8786 | 101Z0203 | Service Kit BD50F 12/24VDC - R134a |
| 119-8787 | 104L2853 | Service Kit SC15CL 220V |
| 119-8788 | 105G5954 | Service Kit NF11FX2 115V |
| 119-8789 | 191U196000 | Service Kit NT6217Z 115V R134a |
| 119-8027 | 191U197900 | Service Kit NT6215Z 115V R134a |
| 119-8028 | 191U196300 | Service Kit NJ6220Z 115V R134a |
| 119-8029 | 191U196400 | Service Kit NJ6220Z 208-230V R134a |
| 119-8030 | 191U197400 | Service Kit NJ6226Z 208-230V R134a |
| 119-8031 | 191U196700 | Service Kit NT2178GK 115V R404A |
| 119-8032 | 191U196800 | Service Kit NT2178GK 208-230V R404A |
| 119-8033 | 191U197300 | NJ2192GK 208-230V/60Hz/1PH R404A |
| 119-8034 | 191U197000 | NT6220GK 208-230V/60Hz/1PH R404A |
| 119-8035 | 191U197200 | NT6222GKV 208-230V/60Hz/1PH R404A |
| 195B0059 | 104G8820 | SC18G Universal R134A 220-240V 50/60Hz |
| 195B0061 | 104L1603 | SC12CL LBP R404A/R507 115V 60Hz |
| 195B0099 | 104G7550 | SC15G Universal R134A 115V 60Hz |
| 195B0147 | 104L1503 | KIT SC10CLX 115V R404A/R507 60HZ LBP/MBP |
| 195B0237 | 104L1853 | SERVICE-Kit SC15CLX.2 115V 60HZ R404A |
| 195B0276 | 104G7800 | Kit SC18G 115V 60HZ R134A |
| 195B0306 | 104L2105 | SERVICE-Kit SC18MLX 115V 60Hz R404A |
| 195B0348 | 105F1612 | SERVICE-Kit NF 5.5 CLX 115 V |
| 195B0491 | 104L1696 | SERVICE-Kit SC12CLX2 115V/60Hz |
| 195B0510 | 104L1606 | SERVICE-Kit SC12MLX 115V 60HZ R404A |
| 195B0671 | 104L2536 | SERVICE-Kit SC10CLX 208-230 |
| 195B0304 | 105F1727 | NF7CLX 115V steel connectors |
| 195B0388 | 105G5958 | SERVICE-Kit NF 11 FX |
| 195B0411 | 105G6665 | NL6.1 MF 50/60Hz steel connectors |
| 195B0468 | 102U2122 | KIT TF4CLX COMPRESSOR 115V/60Hz |
| 195B0560 | 105G5639 | SERVICE-Kit NF6.1FX2 115V - P-T#6.5/S# |
| 195B0586 | 105G5737 | SERVICE-Kit NF 7.3 FX2 115 V |
| 195B0672 | 105F1728 | NF7CLX 115V steel connectors |
| 119-5622 | 119-3158A | SP - CONDENSER AC 026T/3R/3/8"S 07FPI |
| 119-5626 | 119-3169 | SP - CONDENSER AC 024T/3R/5/16"R 07FPI |
| 119-5629 | 119-3170 | SP - CONDENSER AC 026T/3R/5/16"R 07FPI |
| 119-5642 | 119-3175 | SP - CONDENSER AC 052T/4R/5/16"R 09FPI |
| 119-5643 | 119-3176 | SP - CONDENSER AC 016T/2R/5/16"R 07FPI |
| 119-5644 | 119-3177 | SP - CONDENSER AC 032T/3R/5/16"R 07FPI |
| 119-5645 | 119-3181 | SP - CONDENSER AC 048T/4R/3/8"C 10FPI |
| 119-5647 | 119-3182A | SP - CONDENSER AC 060T/4R/3/8"S 10FPI |
| 119-5648 | 119-8127 | SP - Condenser AC 20T/2R/ 5/16"OD 12FPI |
| 119-8702 | 119-3171 | SP - CONDENSER AC 036T/4R/5/16"R 07FPI |
| 119-8703 | 119-3172 | SP - CONDENSER AC 044T/4R/5/16"R 07FPI |
| 119-5669 | 119-3303 | SP - FAN BLADE AL 9"x22°x5 - CCW |
| 119-5670 | 119-3306 | SP - FAN BLADE AL 8"x30°x5 - CCW |
| 119-5671 | 119-3309 | SP - FAN BLADE AL 8"x22°x5 - CCW |
| 119-5672 | 119-3311 | SP - FAN BLADE AL 10"x34°x5 - CCW |
| 119-5674 | 191U139700 | SP - FAN BLADE AL 12"x24°x5 - CCW |
| 119-5679 | 119-3624 | SP - FAN GUARD 9" SQR BLK |
| 119-5680 | 119-3625 | SP - FAN GUARD 8" SQR BLK |
| 119-5682 | 119-3637 | SP - FAN GUARD 10" SQR BLK |
| 119-5683 | 119-3639 | SP - FAN GUARD 12" RND BLK |
| 119-5684 | 191U138110 | SP - FAN GUARD 12" RND BLK |
| 119-5659 | 7605518 | SP - FAN MOTOR 1/15HP 208-230V/50-60Hz |
| 119-5660 | 7605521 | SP - FAN MOTOR 1/15HP 115V/50-60Hz |
| 119-5661 | 119-3250 | SP - FAN MOTOR 5W 115V/60Hz |
| 119-5662 | 119-3256 | SP - FAN MOTOR 9W 115V/60Hz |
| 119-5663 | 119-3257 | SP - FAN MOTOR 16W 115V/60Hz |
| 119-5664 | 119-3258 | SP - FAN MOTOR 9W 230V/60Hz |
| 119-5665 | 119-3260 | SP - FAN MOTOR 16W 230V/60Hz |
| 119-5649 | 119-8128 | SP - Fan Motor 24VDC 5214NH 127x38mm |

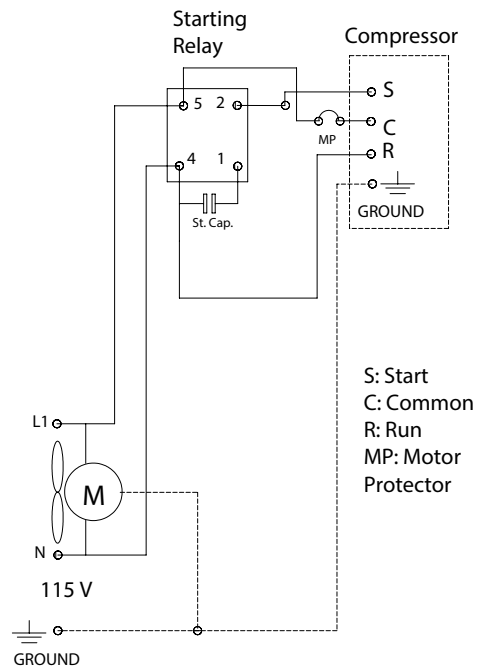
| Spare Part Number | Raw material | Spare Part Description |
|-------------------|--------------|---|
| 023Z5013 | 023Z5013 | Filter drier DCL 032S M/32 |
| 023Z8128 | 023Z8128 | Filter drier DCL 032SX2/3mm I/28 |
| 023Z8129 | 023Z8129 | Filter drier DML 032SX2/2S I/28 |
| 023Z8252 | 023Z8252 | Filter drier DCL 1.525XL/2.8mm I/36 |
| 119-8544 | 119-8308 | SP - Capillary Hose .6 mts Red |
| 119-8543 | 119-8200 | SP - Capillary Hose .6 mts Blue |
| 032F5043 | 032F5043 | EVU2 Valve ODF-ODF 1/4-1/4in I-pack 40 |
| 042N4233 | 042N4233 | Coil AY120C 110-120V 50/60Hz Ext. Frame |
| 068-2010 | 068-2010 | Orifice No 01 for T/TE 2 |
| 068Z3400 | 068Z3400 | T 2 Therm. exp. valve Flare/Flare |
| 119-5650 | 101N0213 | SP - Electronic Module 2G - BD35/50F |
| 119-5651 | 119-5400 | SP - Crankcase Heater 120V (belly band) |
| 060-117191 | 060-117191 | KP5 Pressure Switch M/36 |
| 060-5231 | 060-5231 | KPU1 Pressure Switch M/14 |
| 060-5249 | 060-5249 | KPU15B Pressure Switch M/14 |
| 061F6050 | 061F6050 | ACB Cartridge Switch 2UB215W I/100 |
| 061F7506 | 061F7506 | ACB Cartridge Switch 2UB506W I/20 |
| 061F7520 | 061F7520 | ACB Cartridge Switch 2UA520W I/20 |
| 061F8490 | 061F8490 | ACB Cartridge Switch 2UA392W I/20 |
| 119-5652 | 119-3322 | SP - Liquid Receiver 0.028 ft ³ (UL) |
| 119-5654 | 119-3323 | SP - Liquid Receiver 0.038 ft ³ (UL) |
| 119-5655 | 119-3324 | SP - Liquid Receiver 0.056 ft ³ (UL) |
| 119-5657 | 119-3643 | SP - Receiver 0.4 L UL BK 2.5"ODx5" |
| 119-5658 | 119-3670 | SP - Receiver UL BK 2.5" OD x 5" |
| 119-5666 | 119-3671A | SP - Receiver UL BK 3"ODx9" |
| 119-7757 | 117-7441 | SP - STARTING RELAY SC 115V/60Hz |
| 119-7758 | 117U4061 | SP - STARTING RELAY NL/FF 115V/60Hz |
| 119-7759 | 117U4123 | SP - STARTING RELAY NF 115V/60Hz |
| 119-7760 | 117U4127 | SP - STARTING RELAY NF 115V/60Hz |
| 119-7761 | 117U4129 | SP - STARTING RELAY NF 115V/60Hz |
| 119-7762 | 117U4148 | SP - STARTING RELAY TF 115V/60Hz |
| 119-7764 | 117U6005 | SP - STARTING RELAY SC 220V/50Hz |
| 119-7766 | 117U6020 | SP - STARTING RELAY SC 115V/60Hz |
| 119-5667 | 117U4151 | SP - STARTING RELAY NF 115V/60Hz |
| 119-5675 | 117U6015 | SP - Starting Relay FR |
| 119-5676 | 117U6019 | SP - Starting Relay SC 50/60 Hz |
| 119-5677 | 119-8131 | SP - Solid State Relay 3.5-32VDC 3A |
| 119-7772 | 117-7114 | SP - RUN CAPACITOR 23.5 MFD 190 VAC |
| 014L0181 | 014L0181 | SGP 6s N Sight Glass M/25x4 |
| 119-7767 | 117U5019 | SP - ST. CAPACITOR 80 MFD 330 VAC |
| 119-7768 | 117U5022 | SP - ST. CAPACITOR 320 MFD 125 VAC |
| 119-7769 | 117U5023 | SP - ST. CAPACITOR 240 MFD 125 VAC |
| 119-7770 | 117U5025 | SP - ST. CAPACITOR 280 MFD 125 VAC |
| 119-7771 | 117U5028 | SP - ST. CAPACITOR 410 MFD 125 VAC |
| 119-5678 | 117U5015 | SP - START CAPACITOR 80 mfd |
| 119-5685 | 119-3609A | SP - VALVE BM 1/4"xF 1/4"x5/16" |
| 119-5686 | 119-3610A | SP - VALVE BM F 1/4"xF 3/8"x5/16" |
| 119-5687 | 119-3978B | SP - VALVE BM F 1/2"xF 1/4"x3/8" |
| 119-8790 | 119-7079 | SP - FAN MOTOR 9W 115V/60Hz |

Wiring Diagram 119-3375



* Heater not shown
Use 14AWG black wire for connections **Ver 2**

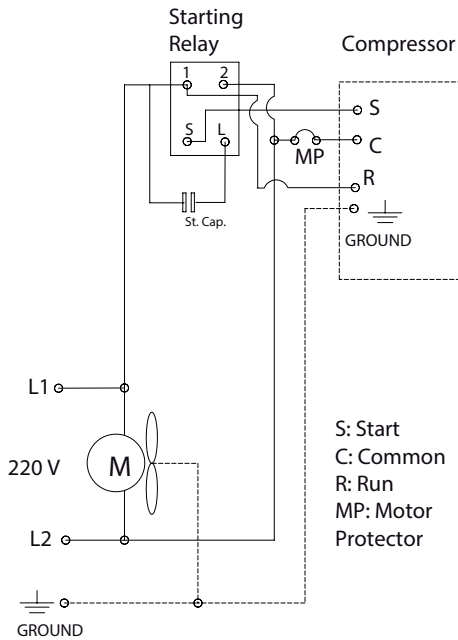
Wiring Diagram 119-3983



S: Start
C: Common
R: Run
MP: Motor Protector

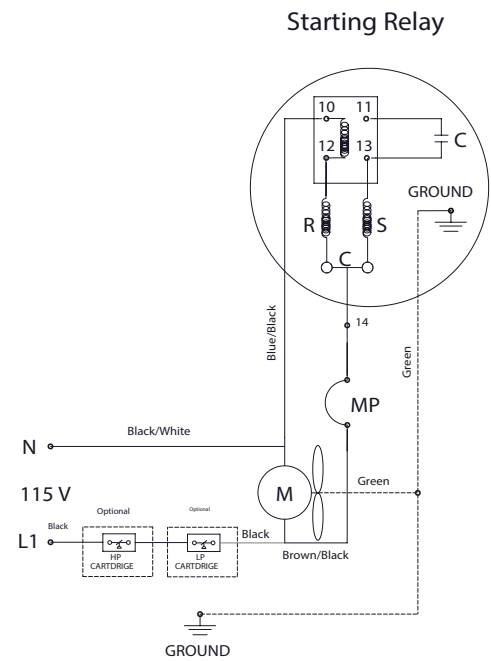
* Heater not shown
Ver 6

Wiring Diagram 119-3985



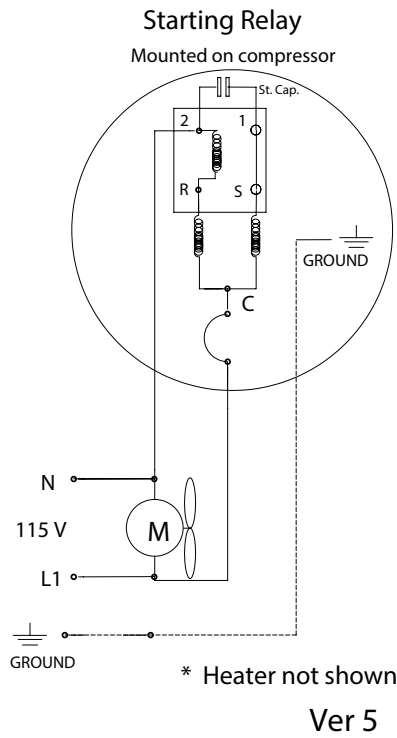
* Heater not shown
Ver 6

Wiring Diagram 119-3987

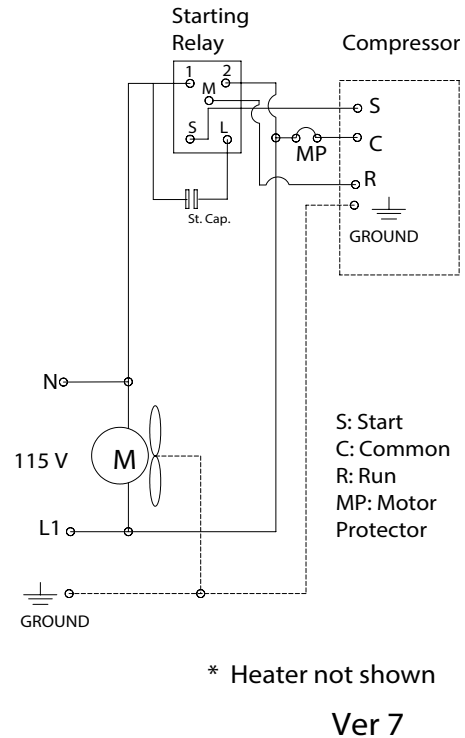


*Power cord optional

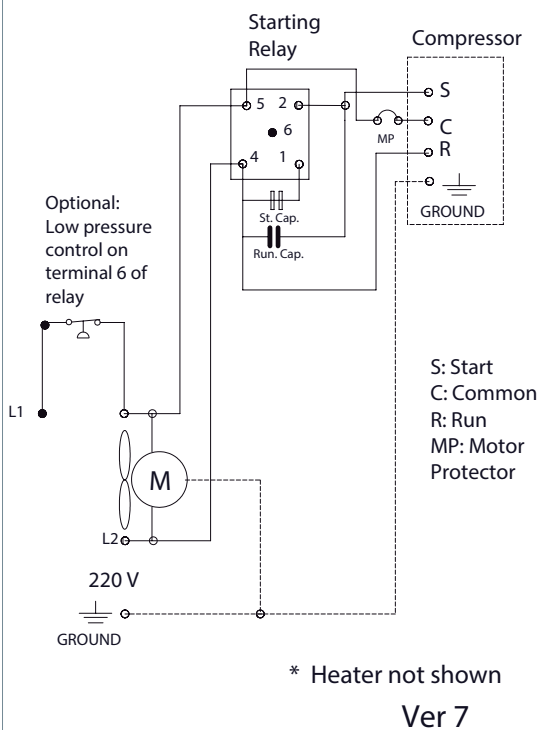
Wiring Diagram 119-3988



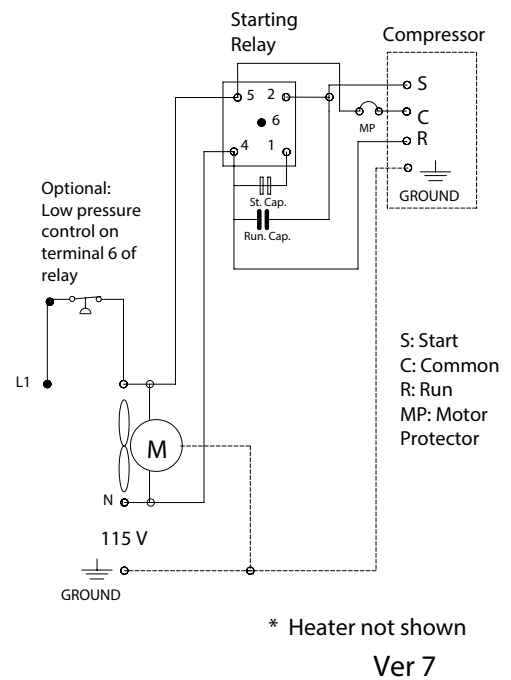
Wiring Diagram 119-3989



Wiring Diagram 119-3990

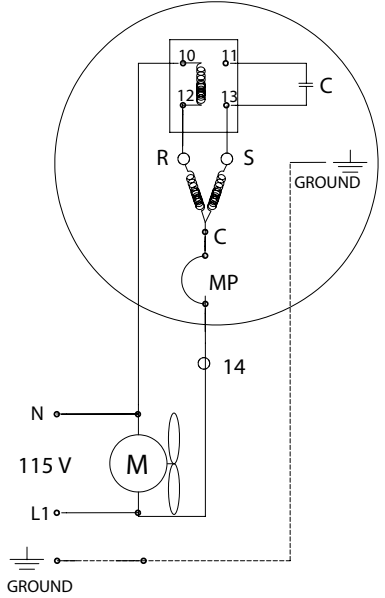


Wiring Diagram 119-3992



Wiring Diagram 119-3993

Starting Relay
Mounted on compressor

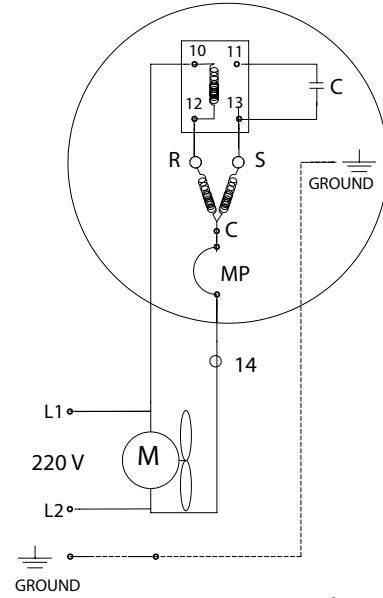


* Heater not shown

Ver 5

Wiring Diagram 119-3995

Starting Relay
Mounted on compressor

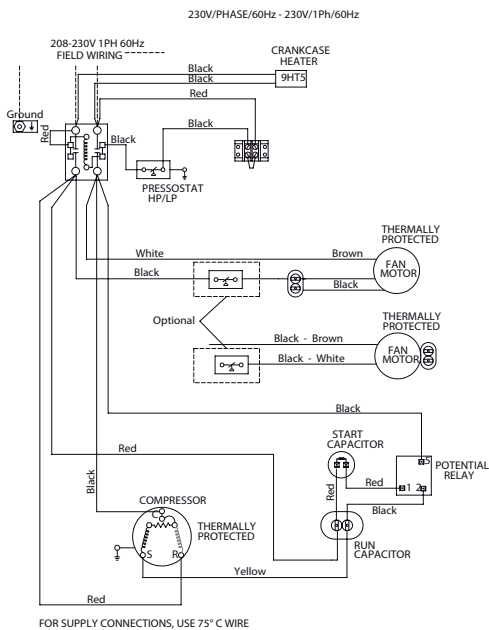


* Heater not shown

Ver 5

Wiring Diagram 119-6401

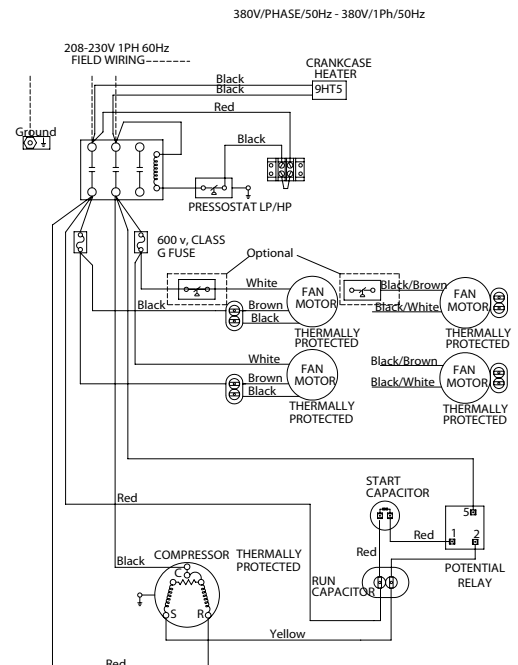
USE COPPER CONDUCTORS ONLY
POWER SUPPLY THRU FUSED DISCONNECT



FOR SUPPLY CONNECTIONS, USE 75° C WIRE

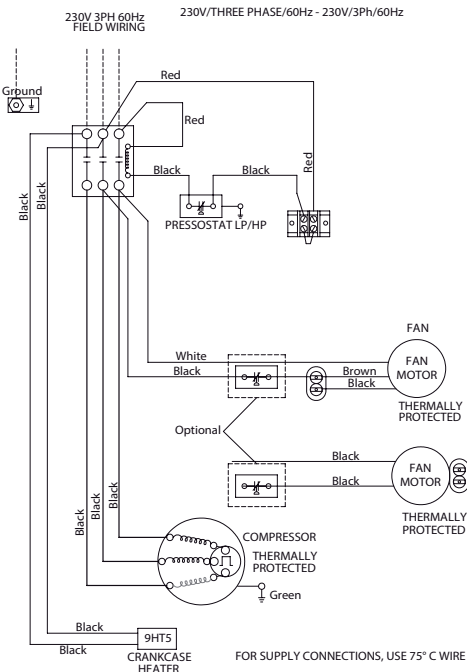
Wiring Diagram 119-6402

USE COPPER CONDUCTORS ONLY
POWER SUPPLY THRU FUSED DISCONNECT



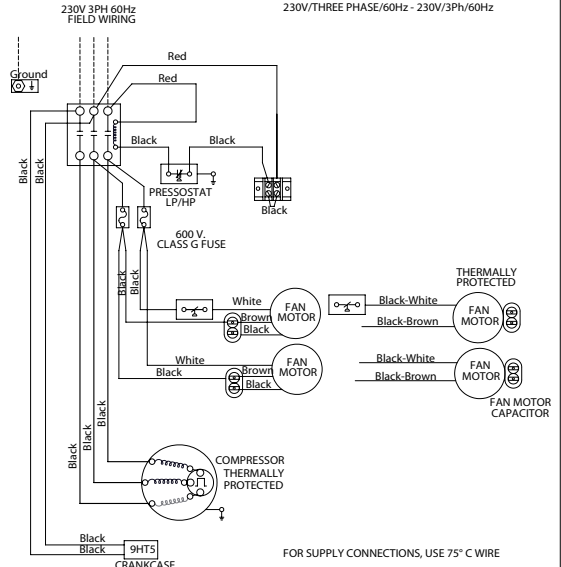
Wiring Diagram 119-6403

USE COPPER CONDUCTORS ONLY
POWER SUPPLY THRU FUSED DISCONNECT



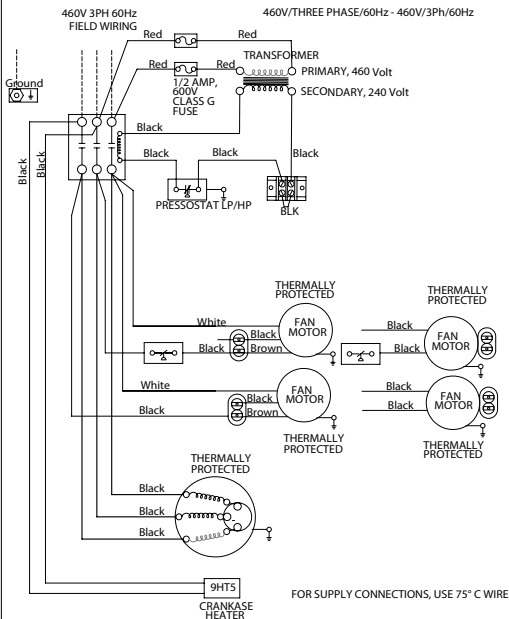
Wiring Diagram 119-6404

USE COPPER CONDUCTORS ONLY
POWER SUPPLY THRU FUSED DISCONNECT



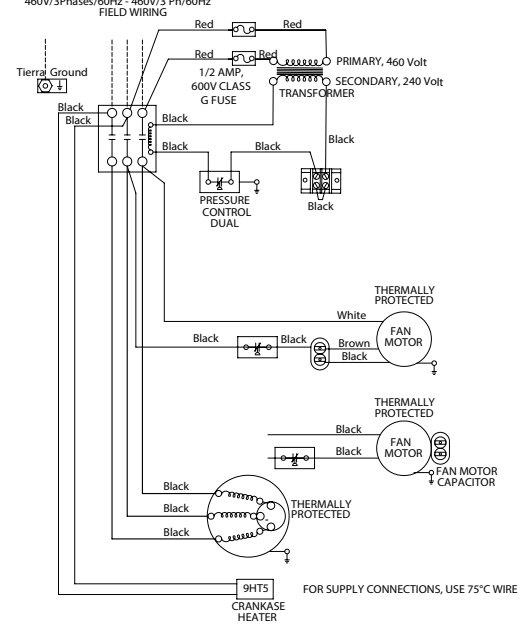
Wiring Diagram 119-6405

USE COPPER CONDUCTORS ONLY
POWER SUPPLY THRU FUSED DISCONNECT

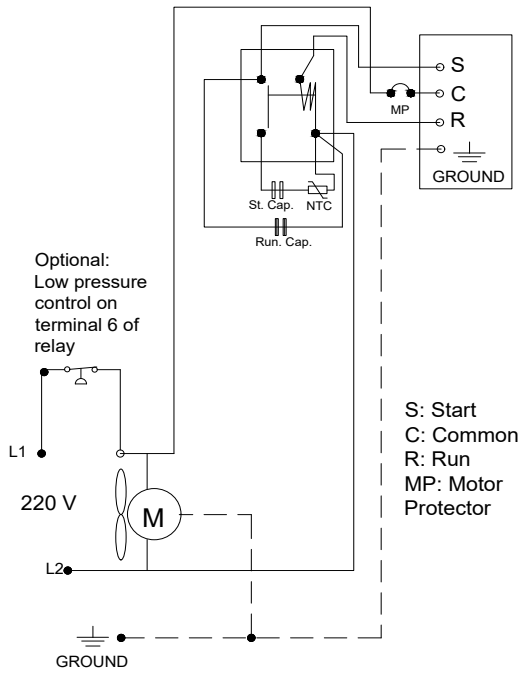


Wiring Diagram 119-6406

460V/THREE PHASE/60Hz - 460V/3 Phase/60Hz
460V/3Phases/60Hz - 460V/3 Ph/60Hz

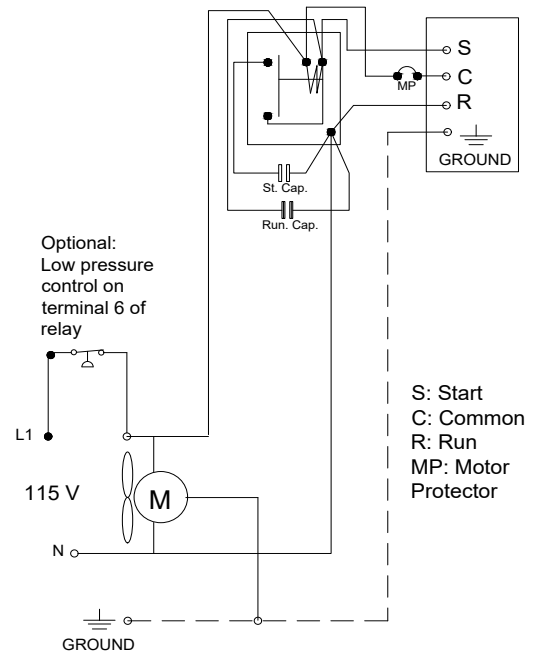


Wiring Diagram 119-9231



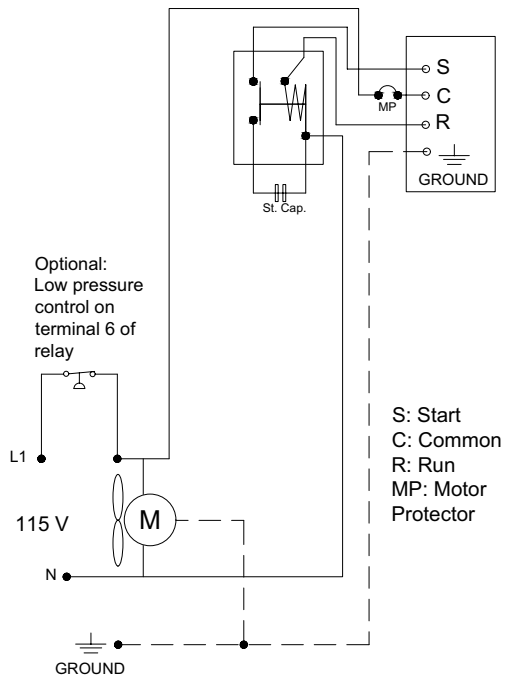
REV. AA

Wiring Diagram 119-9233



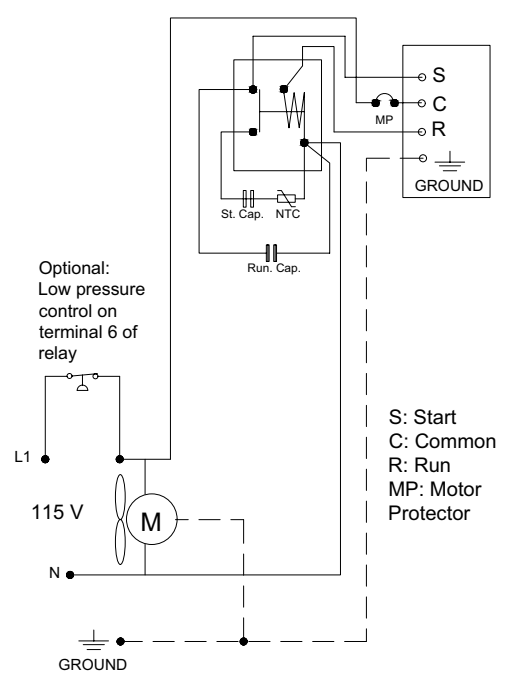
REV. AB

Wiring Diagram 119-9261



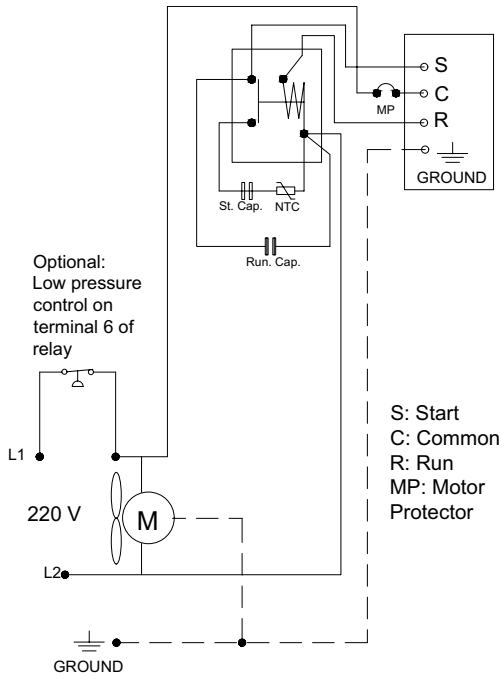
REV. AB

Wiring Diagram 119-9262



REV. AB

Wiring Diagram 119-9263

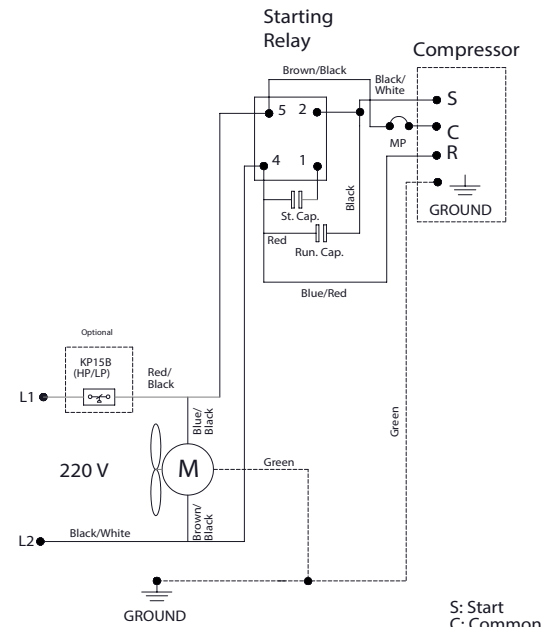


* Heater not shown

REV. AB

Wiring Diagram 119-3990

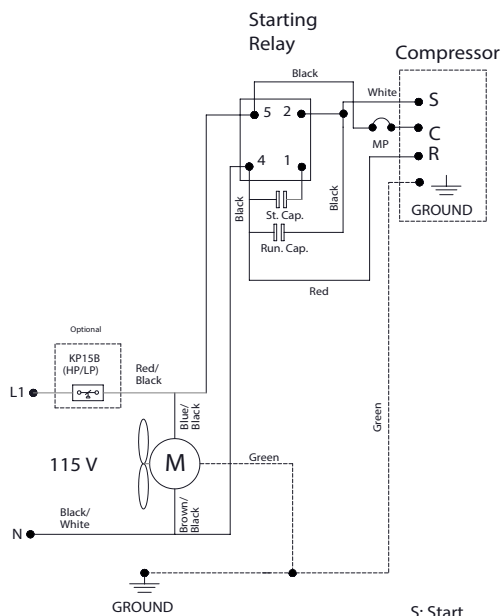
Wiring Diagram for SC/NJ compressor 220V



-Power cord optional
-Run Capacitor optional

Wiring Diagram 119-3992

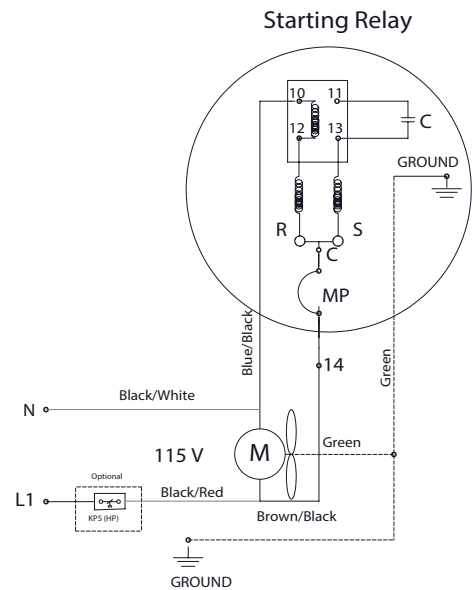
Wiring Diagram for SC/NT/NJ compressor 115V



-Power cord optional
-Run Capacitor optional
-HP/LP cartridges could replace KP15B

Wiring Diagram 119-3993

Wiring diagram for TL/SC compressors 115V



*Power cord optional

Figure 1

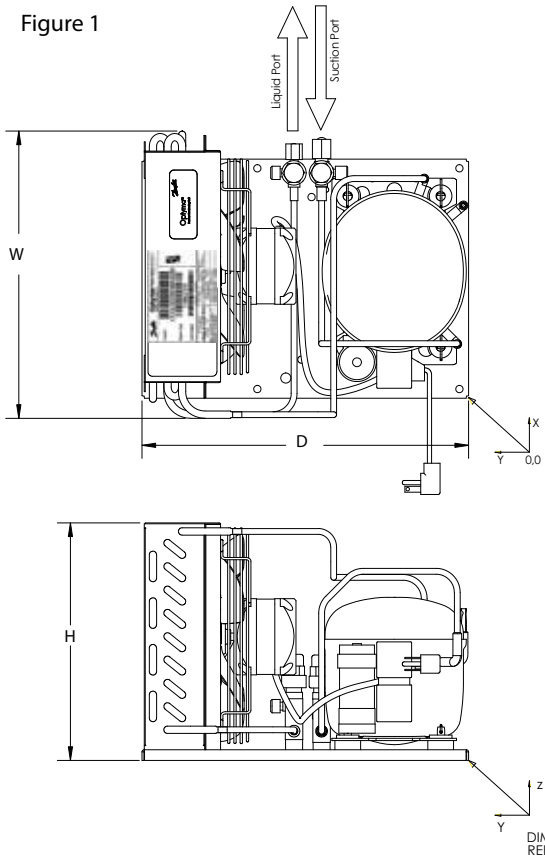


Figure 2

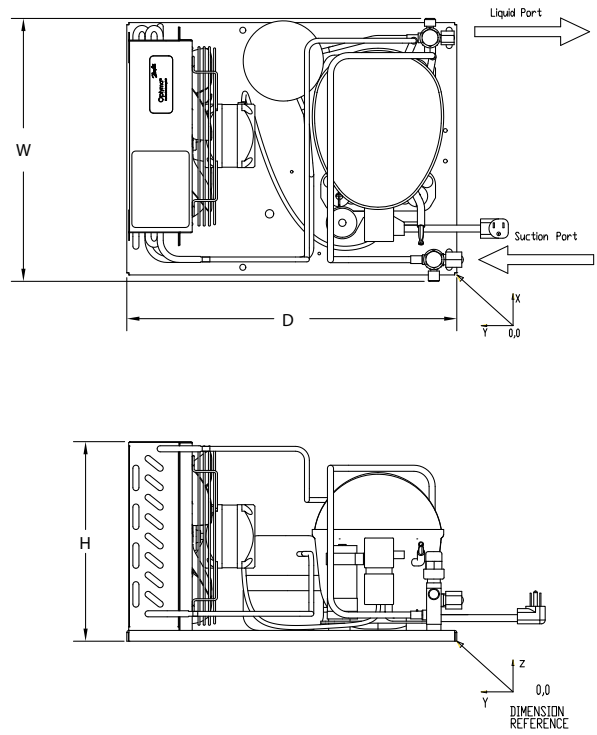


Figure 3

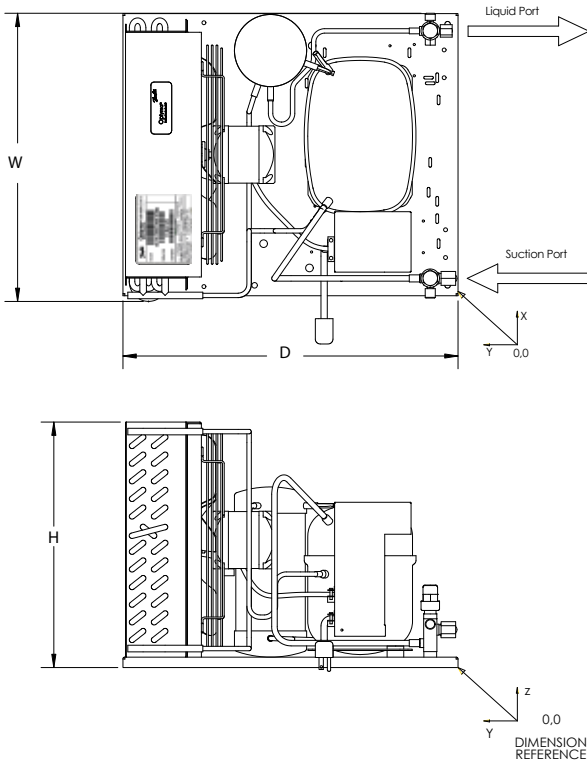


Figure 4

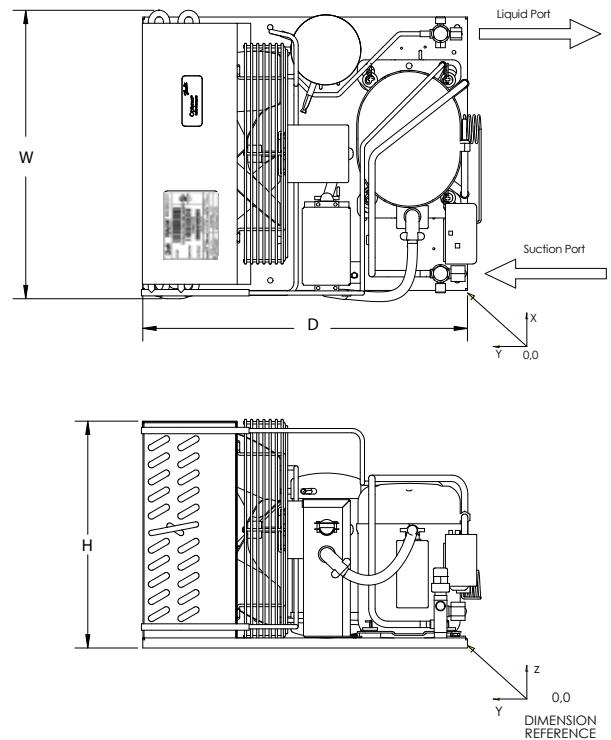


Figure 5

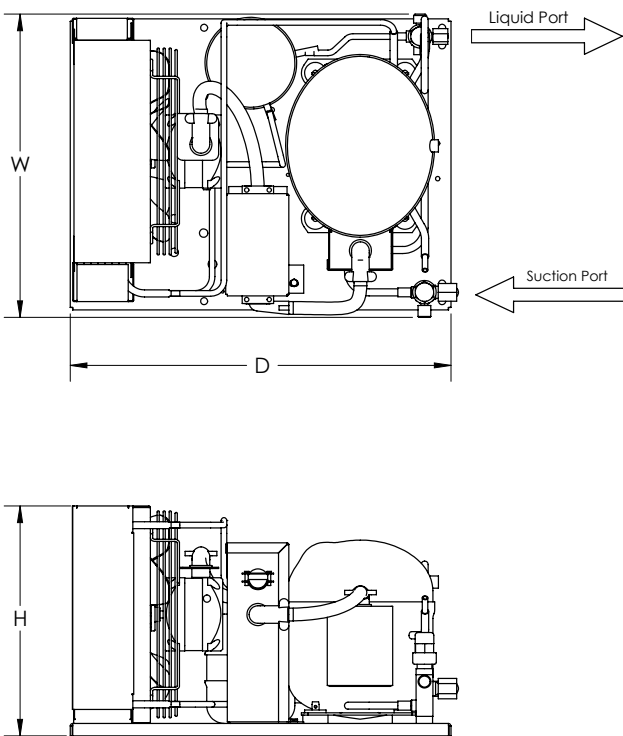


Figure 6a

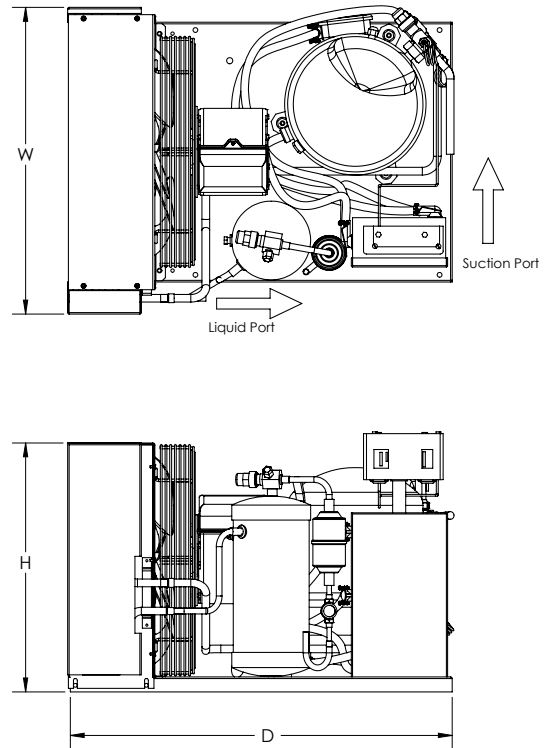


Figure 7a

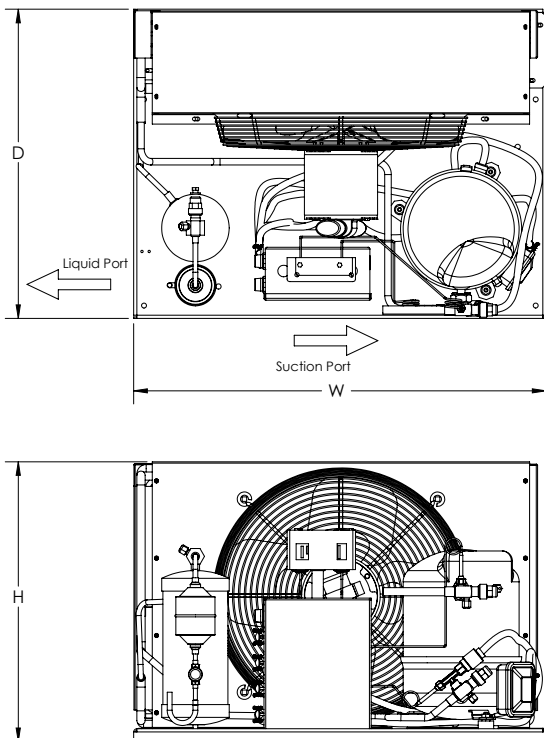
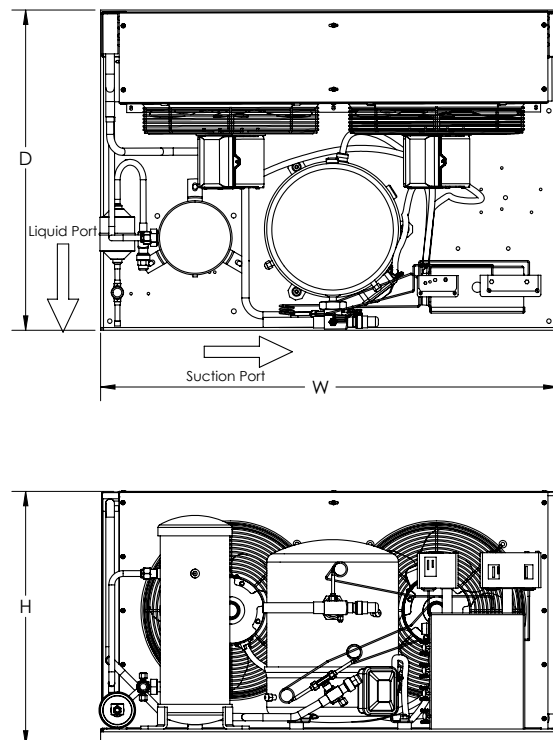
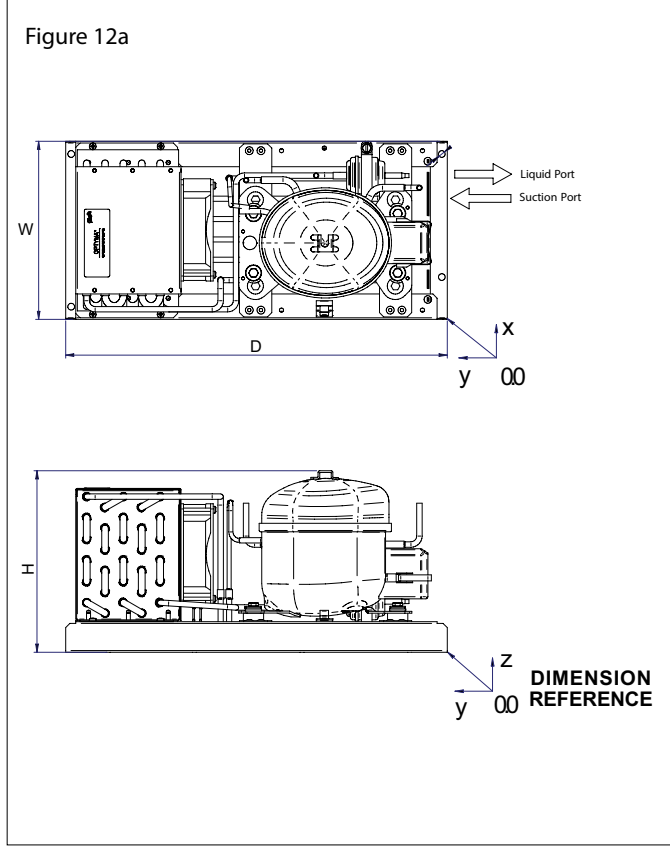
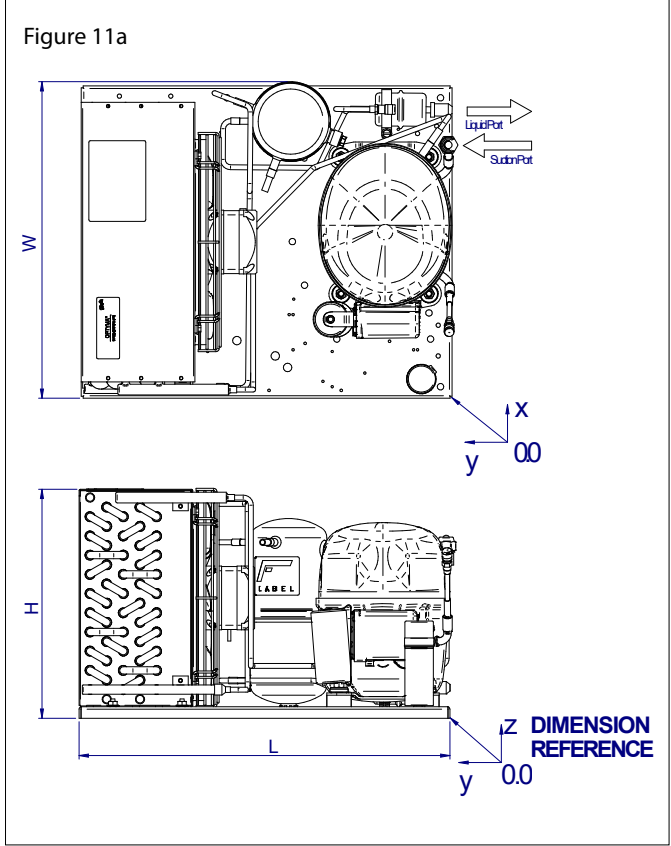
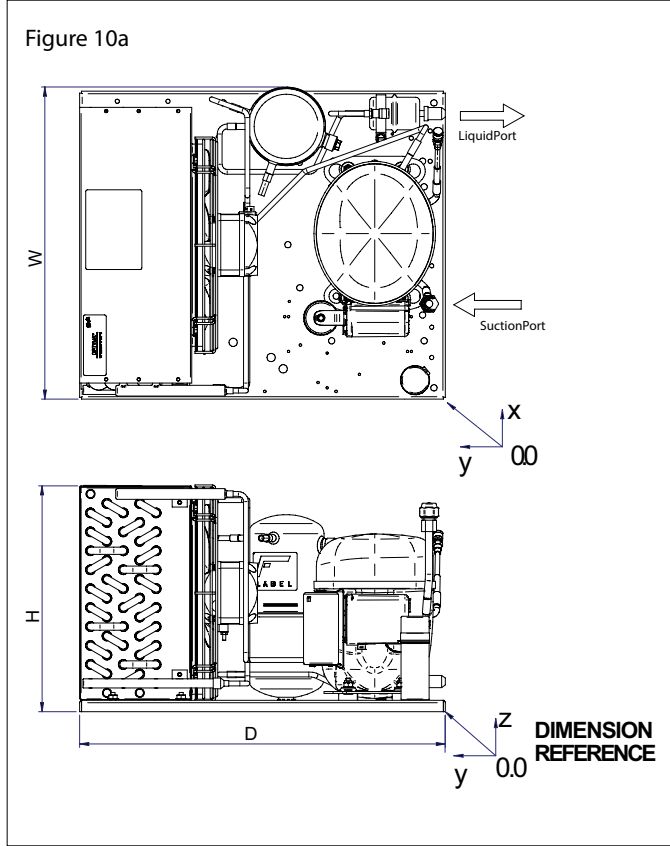
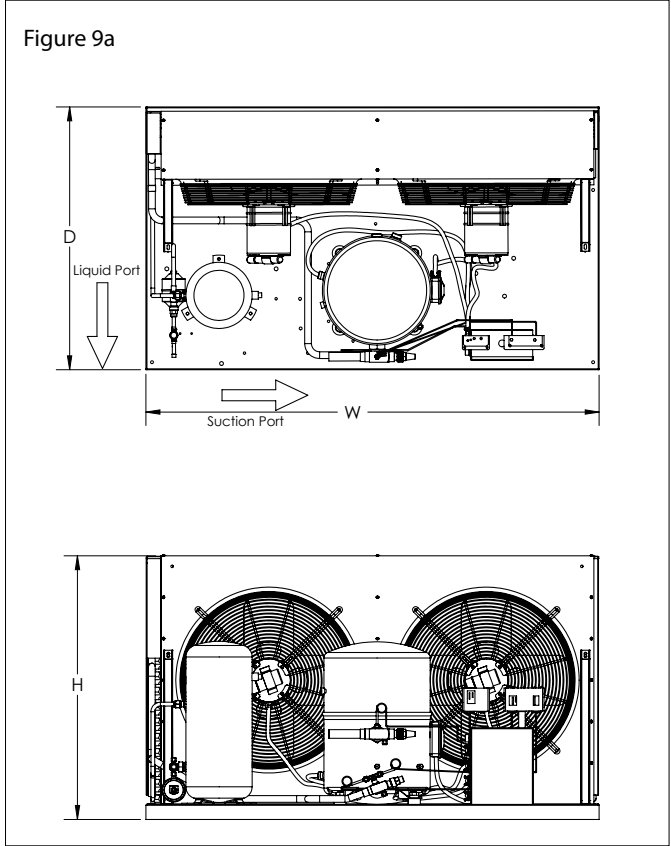
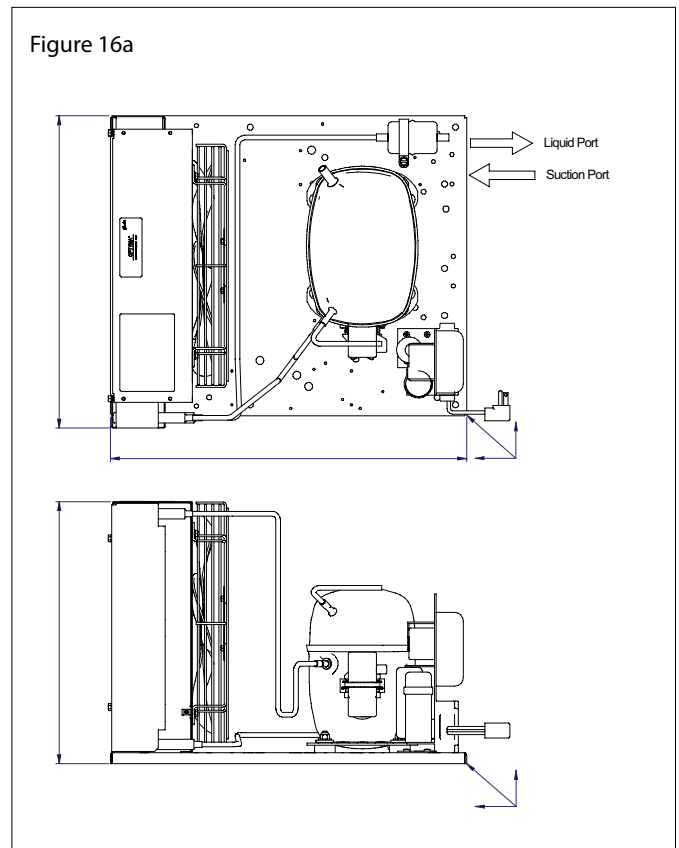
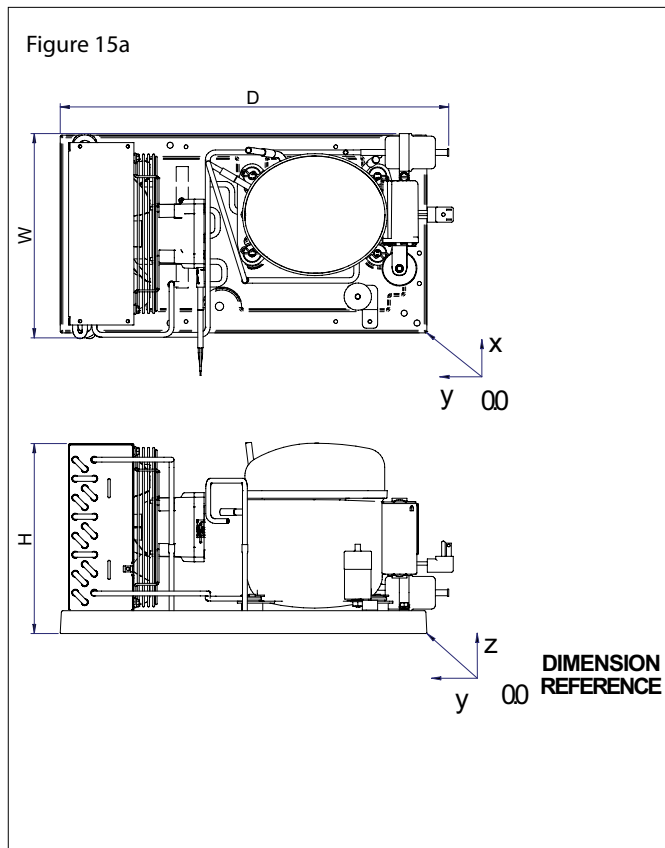
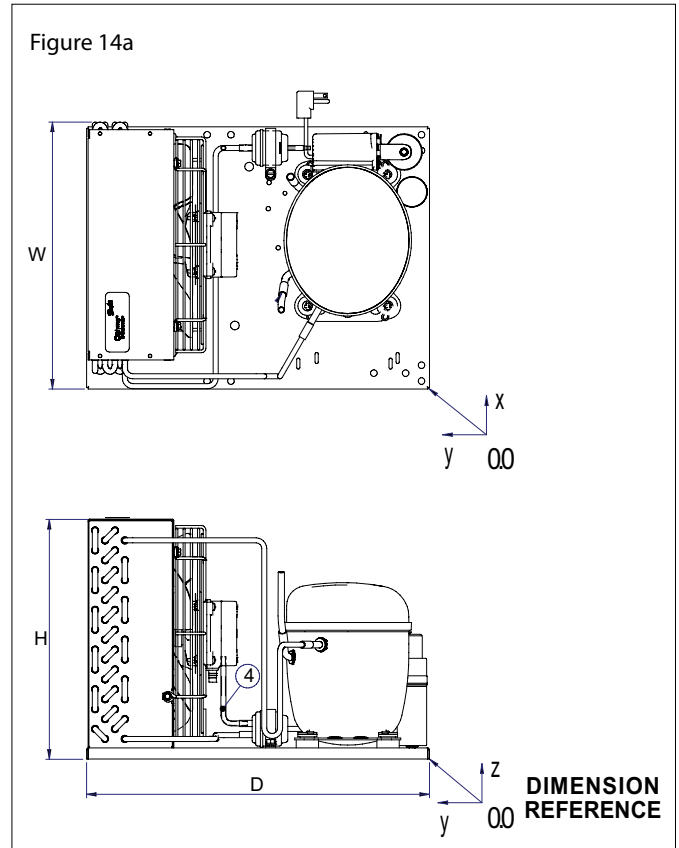
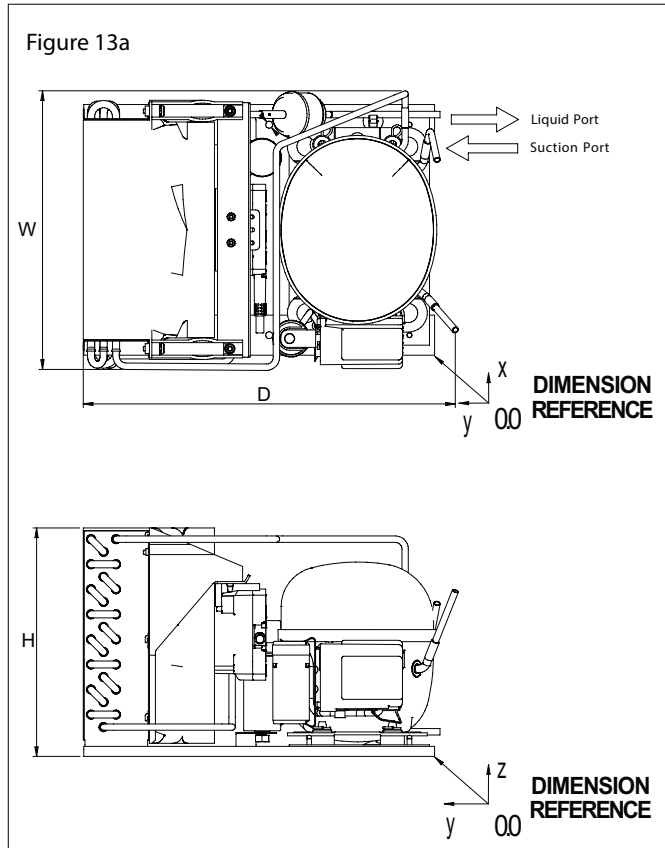


Figure 8a









Easy to clean, durable microchannel coil

| Fan | Model no | Version | Electrical code | Code no | Compressor model | Amb. temp. | Capacity range in (btu/hr) at evaporating temperature | | | | | | | Power consumption [W] at evap. temp. 25 F | Power consumption [W] at evap. temp. 20 F | AWEF* |
|-------------|-------------|---------|----------------------|----------------------|------------------|------------|---|-------|-------|-------|-------|-------|-------|---|---|--------------|
| | | | | | | °F | 10 | 15 | 20 | 25 | 30 | 35 | 40 | | | |
| Single fan | OP-HJZM0150 | WG | N Q | 114N3485 114N3486 | MTZ18 | 90 | 7668 | 8819 | 10040 | 11330 | 12680 | 14100 | 15590 | 1705 | 1629 | 8.19 |
| | | | | | | 95 | 7224 | 8330 | 9503 | 10740 | 12040 | 13410 | 14830 | | | |
| | | | | | | 100 | 6791 | 7852 | 8978 | 10170 | 11420 | 12720 | 14090 | | | |
| | | | | | | 110 | - | 6929 | 7960 | 9049 | 10190 | 11390 | 12640 | | | |
| | | | | | | 115 | - | 6484 | 7469 | 8508 | 9599 | 10740 | 11930 | | | |
| | OP-HNXM0200 | WG | N Q | 114N3487 114N3488 | MLZ15 | 90 | 12910 | 14400 | 15990 | 17690 | 19490 | 21400 | 23430 | 2408 | 2357 | 8.44 8.77 |
| | | | | | | 95 | 12460 | 13900 | 15430 | 17070 | 18810 | 20650 | 22610 | | | |
| | | | | | | 100 | 12010 | 13390 | 14870 | 16450 | 18120 | 19900 | 21780 | | | |
| | | | | | | 110 | - | 12370 | 13730 | 15190 | 16730 | 18370 | 20110 | | | |
| | | | | | | 115 | - | 11850 | 13160 | 14550 | 16030 | 17600 | 19270 | | | |
| | OP-HNXM0250 | WG | N Q | 114N3489 114N3490 | MLZ19 | 90 | 16790 | 18660 | 20650 | 22770 | 25020 | 27390 | 29900 | 3013 | 2944 | 8.79 9.19 |
| | | | | | | 95 | 16240 | 18040 | 19960 | 22000 | 24170 | 26460 | 28870 | | | |
| | | | | | | 100 | 15690 | 17420 | 19260 | 21230 | 23310 | 25510 | 27830 | | | |
| | | | | | | 110 | - | 16140 | 17840 | 19640 | 21560 | 23580 | 25730 | | | |
| | | | | | | 115 | - | 15480 | 17110 | 18840 | 20670 | 22610 | 24660 | | | |
| | OP-HNXM0300 | WG | N Q | 114N3491 114N3492 | MLZ21 | 90 | 17760 | 19770 | 21910 | 24180 | 26580 | 29120 | 31800 | 3174 | 3097 | 8.92 9.24 |
| | | | | | | 95 | 17130 | 19070 | 21130 | 23320 | 25630 | 28080 | 30660 | | | |
| | | | | | | 100 | 16490 | 18360 | 20340 | 22440 | 24670 | 27030 | 29510 | | | |
| | | | | | | 110 | - | 16900 | 18730 | 20660 | 22710 | 24880 | 27170 | | | |
| | | | | | | 115 | - | 16160 | 17900 | 19750 | 21710 | 23790 | 25980 | | | |
| OP-HNXM0350 | WG | N Q | 114N3493 114N3494 | MLZ26 | 90 | 22170 | 24600 | 27190 | 29960 | 32890 | 35990 | 39270 | 3826 | 3730 | 9.22 9.87 | |
| | | | | | 95 | 21400 | 23740 | 26230 | 28890 | 31700 | 34690 | 37840 | | | | |
| | | | | | 100 | 20620 | 22860 | 25250 | 27800 | 30500 | 33360 | 36390 | | | | |
| | | | | | 110 | - | 21060 | 23240 | 25560 | 28030 | 30650 | 33420 | | | | |
| | | | | | 115 | - | 20140 | 22210 | 24420 | 26770 | 29260 | 31900 | | | | |
| OP-HNXM0400 | WG | N Q | 114N3495 114N3496 | MLZ30 | 90 | 26300 | 29140 | 32180 | 35420 | 38860 | 42510 | 46370 | 4455 | 4336 | 9.40 9.80 | |
| | | | | | 95 | 25260 | 28000 | 30920 | 34040 | 37360 | 40890 | 44610 | | | | |
| | | | | | 100 | 24200 | 26830 | 29640 | 32640 | 35830 | 39220 | 42810 | | | | |
| | | | | | 110 | - | 24410 | 26980 | 29730 | 32670 | 35800 | 39110 | | | | |
| | | | | | 115 | - | 23180 | 25620 | 28240 | 31040 | 34030 | 37210 | | | | |

Test condition

Return gas temperature 65°F
Subcooling 5°F

Electrical code

N: Compressor & fan(s) 230V, 1 ph, 60 Hz
Q: Compressor 208-230V, 3ph, 60 Hz
Fan(s) 230V, 1ph, 60 Hz

Version

WG: Electrical box, Receiver, Dual pressure control, Fan speed controller or Fan cycling, Defrost Timer, Outdoor enclosure (MBP)

HP rating in hundredths of HP, ie.: 033=1/3hp, (OP-UCGC0100U:0100=1hp)

Power consumption referred at 90°F ambient temperature

*This refrigeration system is designed and certified for use in walk-in cooler applications

R448A and R449A performance data are nearly identical

Performance data is based on fan full speed

All Optyma Slim Condensing units are UL Listed

| Model no | Condenser coil | | | Condenser fan | Receiver volume [Lbs] | Dimensions (in) ⁽¹⁾ | | | | | | Weight (lbs) | | MCA (A) | Wiring diagram code ⁽²⁾ |
|-------------|----------------|----------------|-------------------|------------------|-----------------------|--------------------------------|---------------|--------------|--------------|--------------|-------------|--------------|-----|---------|------------------------------------|
| | Type | Air flow [CFM] | Int. volume [lbs] | Fan blade Ø (in) | | Figure | Height H (in) | Width W (in) | Depth D (in) | Suction line | Liquid line | Gross | Net | | |
| OP-HJZM0150 | D8 | 1410 | 0.9 | 14 | 6.5 | 1 | 19.5 | 43.5 | 13.4 | 5/8" | 3/8" | 176 | 156 | 12.6 | 119-8312 |
| | | | | | | | | | | | | | | 9.04 | 119-8315 |
| OP-HNXM0200 | G8 | 2825 | 1.1 | 18 | 13 | 1 | 22.4 | 47.4 | 16.5 | 7/8" | 1/2" | 253 | 227 | 19.2 | 119-8312 |
| | | | | | | | | | | | | | | 14.3 | 119-8313 |
| OP-HNXM0250 | G8 | 2825 | 1.1 | 18 | 13 | 1 | 22.4 | 47.4 | 16.5 | 7/8" | 1/2" | 253 | 227 | 26.8 | 119-8312 |
| | | | | | | | | | | | | | | 18.6 | 119-8313 |
| OP-HNXM0300 | G8 | 2825 | 1.1 | 18 | 13 | 1 | 22.4 | 47.4 | 16.5 | 7/8" | 1/2" | 253 | 227 | 28.7 | 119-8312 |
| | | | | | | | | | | | | | | 19 | 119-8313 |
| OP-HNXM0350 | J8 | 3700 | 2.8 | 18 | 17.5 | 1 | 28.2 | 47.4 | 16.5 | 7/8" | 1/2" | 300 | 271 | 35.5 | 119-8312 |
| | | | | | | | | | | | | | | 22.7 | 119-8313 |
| OP-HNXM0400 | J8 | 3700 | 2.8 | 18 | 17.5 | 1 | 28.2 | 47.4 | 16.5 | 7/8" | 1/2" | 300 | 271 | 41.8 | 119-8312 |
| | | | | | | | | | | | | | | 26.6 | 119-8313 |

⁽¹⁾ Dimensions (in) available on page 69

⁽²⁾ Wiring diagram available on pages 66

For spare parts, see pages 64

| Fan | Model no | Version | Electrical code | Code no | Compressor model | Amb. temp. | Capacity range in (btu/hr) at evaporating temperature | | | | | | | Power consumption [W] at evap. temp. 25° F | Power consumption [W] at evap. temp. 20° F | AWEF* |
|-------------|-------------|---------|-----------------|----------------------|------------------|------------|---|-------|-------|-------|--------|--------|-------|--|--|--------------|
| | | | | | | °F | 10 | 15 | 20 | 25 | 30 | 35 | 40 | | | |
| Two fan | OP-HNXM0500 | WG | N Q | 114N3497 114N3498 | MLZ38 | 90 | 31640 | 35200 | 39050 | 43210 | 47670 | 52450 | 57540 | 5406 | 5301 | 9.06 9.58 |
| | | | | | | 95 | 30560 | 33980 | 37700 | 41710 | 46020 | 50630 | 55560 | | | |
| | | | | | | 100 | 29480 | 32760 | 36330 | 40180 | 44340 | 48790 | 53550 | | | |
| | | | | | | 110 | - | 30290 | 33550 | 37090 | 40920 | 45040 | 49460 | | | |
| | | | | | | 115 | - | 29050 | 32150 | 35530 | 39190 | 43140 | 47380 | | | |
| | OP-HRXM0600 | WG | Q | 114N3499 | MLZ45 | 90 | 38490 | 42850 | 47520 | 52510 | 57830 | 63480 | 69460 | 6504 | 6351 | 9.64 |
| | | | | | | 95 | 37070 | 41280 | 45790 | 50610 | 55760 | 61220 | 67020 | | | |
| | | | | | | 100 | 35650 | 39700 | 44050 | 48710 | 53670 | 58950 | 64550 | | | |
| | | | | | | 110 | - | 36520 | 40550 | 44850 | 49450 | 54360 | 59570 | | | |
| | | | | | | 115 | - | 34920 | 38780 | 42910 | 47320 | 52040 | 57060 | | | |
| | OP-HRXM0700 | WG | R | 114N3519 | MLZ45 | 90 | 38120 | 42410 | 46990 | 51880 | 57090 | 62610 | 68440 | 6337 | 6174 | 9.88 |
| | | | | | | 95 | 36710 | 40840 | 45270 | 49990 | 55020 | 60350 | 66000 | | | |
| | | | | | | 100 | 35280 | 39260 | 43530 | 48080 | 52930 | 58080 | 63540 | | | |
| | | | | | | 110 | - | 36080 | 40020 | 44220 | 48710 | 53490 | 58560 | | | |
| | | | | | | 115 | - | 34470 | 38240 | 42270 | 46580 | 51170 | 56040 | | | |
| | OP-HRXM0700 | WG | Q | 114N3500 | MLZ48 | 90 | 42340 | 47050 | 52070 | 57410 | 63070 | 69060 | 75370 | 6907 | 6749 | 9.83 |
| | | | | | | 95 | 40720 | 45260 | 50110 | 55260 | 60720 | 66490 | 72580 | | | |
| | | | | | | 100 | 39070 | 43440 | 48100 | 53060 | 58320 | 63880 | 69750 | | | |
| | | | | | | 110 | - | 39700 | 43980 | 48540 | 53380 | 58510 | 63930 | | | |
| | | | | | | 115 | - | 37770 | 41860 | 46210 | 50840 | 55760 | 60960 | | | |
| | OP-HRXM0750 | WG | R | 114N3520 | MLZ48 | 90 | 41800 | 46410 | 51310 | 56510 | 62000 | 67800 | 73900 | 6791 | 6622 | 10 |
| | | | | | | 95 | 40180 | 44620 | 49340 | 54340 | 59640 | 65230 | 71100 | | | |
| | | | | | | 100 | 38520 | 42780 | 47320 | 52130 | 57230 | 62600 | 68260 | | | |
| | | | | | | 110 | - | 39010 | 43170 | 47580 | 52260 | 57210 | 62420 | | | |
| | | | | | | 115 | - | 37070 | 41040 | 45250 | 49710 | 54440 | 59430 | | | |
| | OP-HRXM0750 | WG | Q | 114N3501 | MLZ58 | 90 | 51070 | 56740 | 62810 | 69310 | 76240 | 83610 | 91420 | 7665 | 7493 | 10.28 |
| | | | | | | 95 | 49310 | 54780 | 60640 | 66910 | 73590 | 80710 | 88260 | | | |
| | | | | | | 100 | 47530 | 52790 | 58430 | 64470 | 70910 | 77770 | 85060 | | | |
| 110 | | | | | | - | 48720 | 53920 | 59480 | 65420 | 71770 | 78510 | | | | |
| 115 | | | | | | - | 46650 | 51620 | 56940 | 62630 | 68700 | 75180 | | | | |
| OP-HRXM1000 | WG | R | 114N3521 | MLZ58 | 90 | 50680 | 56260 | 62240 | 68620 | 75410 | 82630 | 90260 | 7953 | 7771 | 9.87 | |
| | | | | | 95 | 48910 | 54300 | 60060 | 66210 | 72760 | 79730 | 87100 | | | | |
| | | | | | 100 | 47120 | 52300 | 57840 | 63760 | 70080 | 76780 | 83900 | | | | |
| | | | | | 110 | - | 48230 | 53320 | 58770 | 64580 | 70770 | 77340 | | | | |
| | | | | | 115 | - | 46150 | 51010 | 56220 | 61780 | 67700 | 74000 | | | | |
| OP-HRXM1000 | WG | Q | 114N3502 | MLZ76 | 90 | 62370 | 69580 | 77310 | 85550 | 94330 | 103600 | 113500 | 9991 | 9768 | 9.88 | |
| | | | | | 95 | 59830 | 66820 | 74300 | 82280 | 90790 | 99810 | 109400 | | | | |
| | | | | | 100 | 57230 | 63980 | 71210 | 78930 | 87150 | 95890 | 105200 | | | | |
| | | | | | 110 | - | 58100 | 64800 | 71980 | 79630 | 87770 | 96420 | | | | |
| | | | | | 115 | - | 55060 | 61490 | 68380 | 75740 | 83580 | 91920 | | | | |
| OP-HRXM1000 | WG | R | 114N3522 | MLZ76 | 90 | 61710 | 68800 | 76380 | 84460 | 93040 | 102100 | 111700 | 10350 | 10120 | 9.51 | |
| | | | | | 95 | 59160 | 66020 | 73360 | 81170 | 89480 | 98290 | 107600 | | | | |
| | | | | | 100 | 56540 | 63170 | 70250 | 77800 | 85830 | 94350 | 103400 | | | | |
| | | | | | 110 | - | 57250 | 63810 | 70810 | 78270 | 86190 | 94580 | | | | |
| | | | | | 115 | - | 54190 | 60470 | 67190 | 74360 | 81970 | 90060 | | | | |

Test condition

Return gas temperature 65°F
Subcooling 5°F

Electrical code

N: Compressor & fan(s) 230V, 1 ph, 60 Hz
Q: Compressor 208-230V, 3ph, 60 Hz & Fan(s) 230V, 1ph, 60 Hz
R: Compressor 420-460V, 3ph, 60 Hz & Fan(s) 460V, 1ph, 60Hz

Version

WG: Electrical box, Receiver, Dual pressure control, Fan speed controller or Fan cycling, Defrost Timer, Outdoor enclosure (MBP)

HP rating in hundredths of HP, i.e.: 033=1/3hp, (OP-UCGC0100U:0100=1hp)

Power consumption referred at 90°F ambient temperature

*This refrigeration system is designed and certified for use in walk-in cooler applications

R448A and R449A performance data are nearly identical

Performance data is based on fan full speed

All Optyma Slim Condensing units are UL Listed

| Model no | Condenser coil | | | Condenser fan | Receiver volume [Lbs] | Dimensions (in) ⁽¹⁾ | | | | | | Weight (lbs) | | MCA (A) | Wiring diagram code ⁽²⁾ |
|-------------|----------------|----------------|-------------------|------------------|-----------------------|--------------------------------|---------------|--------------|--------------|--------------|-------------|--------------|-----|---------|------------------------------------|
| | Type | Air flow [CFM] | Int. volume [lbs] | Fan blade Ø (in) | | Figure | Height H (in) | Width W (in) | Depth D (in) | Suction line | Liquid line | Gross | Net | | |
| OP-HNXM0500 | N8 | 5180 | 3.7 | 18 | 22 | 2 | 28.8 | 49.4 | 31.5 | 7/8" | 1/2" | 400 | 367 | 50.4 | 119-8312 |
| | | | | | | | | | | | | | | 33.3 | 119-8313 |
| OP-HRXM0600 | N8 | 5180 | 3.7 | 18 | 22 | 2 | 28.8 | 49.4 | 31.5 | 7/8" | 1/2" | 400 | 367 | 39.2 | 119-8313 |
| | | | | | | | | | | | | | | 15 | 119-8640 |
| | | | | | | | | | | | | | | 42.2 | 119-8313 |
| OP-HRXM0700 | N8 | 5180 | 3.7 | 18 | 22 | 2 | 28.8 | 49.4 | 31.5 | 7/8" | 1/2" | 400 | 367 | | |
| | | | | | | | | | | | | | | 16 | 119-8640 |
| OP-HRXM0750 | Q8 | 8230 | 5.4 | 24 | 30 | 2 | 39.1 | 61.2 | 31.5 | 1 1/8" | 5/8" | 630 | 594 | 50.7 | 119-8313 |
| | | | | | | | | | | | | | | 20 | 119-8640 |
| | | | | | | | | | | | | | | 65.1 | 119-8313 |
| OP-HRXM1000 | Q8 | 8230 | 5.4 | 24 | 30 | 2 | 39.1 | 61.2 | 31.5 | 1 1/8" | 5/8" | 630 | 594 | | |
| | | | | | | | | | | | | | | 28 | 119-8640 |

⁽¹⁾ Dimensions (in) available on page 69
⁽²⁾ Wiring diagram available on pages 66
For spare parts, see pages 64

| Fan | Model no | Version | Electrical code | Code no | Compressor model | Amb. temp. | Capacity range in (btu/hr) at evaporating temperature | | | | | | Power consumption [W] at evap. temp. 25 F | Power consumption [W] at evap. temp. 20 F | AWEF* | |
|-------------|-------------|---------|----------------------|----------------------|------------------|------------|---|-------|-------|-------|-------|-------|---|---|---------------|--------------|
| | | | | | | °F | 10 | 15 | 20 | 25 | 30 | 35 | | | | 40 |
| Single fan | OP-HJZM0150 | WG | N Q | 114N3485 114N3486 | MTZ18 | 90 | 4842 | 5722 | 6684 | 7725 | 8847 | 10050 | 11330 | 1150 | 1107 | 7.76 7.93 |
| | | | | | | 95 | 4571 | 5415 | 6336 | 7334 | 8408 | 9558 | 10780 | | | |
| | | | | | | 100 | 4297 | 5106 | 5987 | 6941 | 7968 | 9067 | 10240 | | | |
| | | | | | | 110 | - | 4486 | 5288 | 6156 | 7088 | 8086 | 9147 | | | |
| | | | | | | 115 | - | 4176 | 4940 | 5765 | 6651 | 7598 | 8606 | | | |
| | OP-HNXM0200 | WG | N Q | 114N3487 114N3488 | MLZ15 | 90 | 8480 | 9651 | 10900 | 12220 | 13630 | 15140 | 16730 | 1577 | 1555 | 8.01 8.78 |
| | | | | | | 95 | 8207 | 9349 | 10570 | 11860 | 13240 | 14710 | 16280 | | | |
| | | | | | | 100 | 7932 | 9041 | 10230 | 11490 | 12840 | 14270 | 15800 | | | |
| | | | | | | 110 | - | 8422 | 9532 | 10720 | 12000 | 13360 | 14810 | | | |
| | | | | | | 115 | - | 8113 | 9183 | 10330 | 11560 | 12880 | 14290 | | | |
| | OP-HNXM0250 | WG | N Q | 114N3489 114N3490 | MLZ19 | 90 | 10900 | 12380 | 13960 | 15640 | 17440 | 19350 | 21380 | 2053 | 2019 | 8.00 9.19 |
| | | | | | | 95 | 10530 | 11980 | 13520 | 15170 | 16930 | 18800 | 20770 | | | |
| | | | | | | 100 | 10160 | 11570 | 13070 | 14680 | 16400 | 18220 | 20150 | | | |
| | | | | | | 110 | - | 10750 | 12170 | 13690 | 15310 | 17030 | 18850 | | | |
| | | | | | | 115 | - | 10350 | 11720 | 13180 | 14750 | 16420 | 18180 | | | |
| | OP-HNXM0300 | WG | N Q | 114N3491 114N3492 | MLZ21 | 90 | 11600 | 13160 | 14830 | 16600 | 18480 | 20480 | 22600 | 2124 | 2090 | 8.21 9.42 |
| | | | | | | 95 | 11220 | 12740 | 14370 | 16100 | 17940 | 19890 | 21960 | | | |
| | | | | | | 100 | 10830 | 12310 | 13890 | 15580 | 17370 | 19280 | 21300 | | | |
| | | | | | | 110 | - | 11430 | 12910 | 14500 | 16190 | 18000 | 19920 | | | |
| | | | | | | 115 | - | 10980 | 12420 | 13950 | 15590 | 17340 | 19200 | | | |
| OP-HNXM0350 | WG | N Q | 114N3493 114N3494 | MLZ26 | 90 | 14440 | 16380 | 18460 | 20690 | 23060 | 25580 | 28260 | 2611 | 2570 | 8.38 10.17 | |
| | | | | | 95 | 13970 | 15870 | 17900 | 20070 | 22390 | 24860 | 27480 | | | | |
| | | | | | 100 | 13500 | 15340 | 17320 | 19440 | 21700 | 24110 | 26660 | | | | |
| | | | | | 110 | - | 14270 | 16130 | 18120 | 20250 | 22530 | 24950 | | | | |
| | | | | | 115 | - | 13740 | 15520 | 17440 | 19500 | 21710 | 24050 | | | | |
| OP-HNXM0400 | WG | N Q | 114N3495 114N3496 | MLZ30 | 90 | 17090 | 19430 | 21920 | 24550 | 27340 | 30300 | 33440 | 2940 | 2883 | 8.87 10.2 | |
| | | | | | 95 | 16540 | 18820 | 21230 | 23800 | 26530 | 29420 | 32490 | | | | |
| | | | | | 100 | 15980 | 18190 | 20540 | 23040 | 25690 | 28510 | 31500 | | | | |
| | | | | | 110 | - | 16940 | 19130 | 21470 | 23960 | 26610 | 29430 | | | | |
| | | | | | 115 | - | 16320 | 18420 | 20670 | 23070 | 25630 | 28360 | | | | |

Test condition

Return gas temperature 65°F
Subcooling 5°F

Electrical code

N: Compressor & fan(s) 230V, 1 ph, 60 Hz
Q: Compressor 208-230V, 3ph, 60 Hz
Fan(s) 230V, 1ph, 60 Hz

Version

WG: Electrical box, Receiver, Dual pressure control, Fan speed controller or Fan cycling, Defrost Timer, Outdoor enclosure (MBP)

HP rating in hundredths of HP, ie.: 033=1/3hp, (OP-UCGC0100U:0100=1hp)

Power consumption referred at 90°F ambient temperature

*This refrigeration system is designed and certified for use in walk-in cooler applications

Performance data is based on fan full speed

All Optyma Slim Condensing units are UL Listed

| Model no | Condenser coil | | | Condenser fan | Receiver volume [Lbs] | Dimensions (in) ⁽¹⁾ | | | | | | Weight (lbs) | | MCA (A) | Wiring diagram code ⁽²⁾ |
|-------------|----------------|----------------|-------------------|------------------|-----------------------|--------------------------------|---------------|--------------|--------------|--------------|-------------|--------------|-----|---------|------------------------------------|
| | Type | Air flow [CFM] | Int. volume [lbs] | Fan blade Ø (in) | | Figure | Height H (in) | Width W (in) | Depth D (in) | Suction line | Liquid line | Gross | Net | | |
| OP-HJZM0150 | D8 | 1410 | 0.9 | 14 | 6.5 | 1 | 19.5 | 43.5 | 13.4 | 5/8" | 3/8" | 176 | 156 | 12.6 | 119-8312 |
| | | | | | | | | | | | | | | 9.04 | 119-8315 |
| OP-HNXM0200 | G8 | 2825 | 1.1 | 18 | 13 | 1 | 22.4 | 47.4 | 16.5 | 7/8" | 1/2" | 253 | 227 | 19.2 | 119-8312 |
| | | | | | | | | | | | | | | 14.3 | 119-8313 |
| OP-HNXM0250 | G8 | 2825 | 1.1 | 18 | 13 | 1 | 22.4 | 47.4 | 16.5 | 7/8" | 1/2" | 253 | 227 | 26.8 | 119-8312 |
| | | | | | | | | | | | | | | 18.6 | 119-8313 |
| OP-HNXM0300 | G8 | 2825 | 1.1 | 18 | 13 | 1 | 22.4 | 47.4 | 16.5 | 7/8" | 1/2" | 253 | 227 | 28.7 | 119-8312 |
| | | | | | | | | | | | | | | 19 | 119-8313 |
| OP-HNXM0350 | J8 | 3700 | 2.8 | 18 | 17.5 | 1 | 28.2 | 47.4 | 16.5 | 7/8" | 1/2" | 300 | 271 | 35.5 | 119-8312 |
| | | | | | | | | | | | | | | 22.7 | 119-8313 |
| OP-HNXM0400 | J8 | 3700 | 2.8 | 18 | 17.5 | 1 | 28.2 | 47.4 | 16.5 | 7/8" | 1/2" | 300 | 271 | 41.8 | 119-8312 |
| | | | | | | | | | | | | | | 26.6 | 119-8313 |

⁽¹⁾Dimensions (in) available on page 69
⁽²⁾Wiring diagram available on pages 66
 For spare parts, see pages 64

| Fan | Model no | Version | Electrical code | Code no | Compressor model | Amb. temp. | Capacity range in (btu/hr) at evaporating temperature | | | | | | Power consumption [W] at evap. temp. 25 F | Power consumption [W] at evap. temp. 20 F | AWEF* | |
|---------|-------------|---------|-----------------|----------------------|------------------|------------|---|-------|-------|-------|-------|-------|---|---|-------|--------------|
| | | | | | | °F | 10 | 15 | 20 | 25 | 30 | 35 | | | | 40 |
| Two fan | OP-HNXM0500 | WG | N Q | 114N3497 114N3498 | MLZ38 | 90 | 20530 | 23340 | 26340 | 29530 | 32930 | 36540 | 40390 | 3582 | 3530 | 8.44 9.33 |
| | | | | | | 95 | 19880 | 22620 | 25540 | 28660 | 31990 | 35530 | 39300 | | | |
| | | | | | | 100 | 19210 | 21880 | 24730 | 27770 | 31020 | 34480 | 38170 | | | |
| | | | | | | 110 | - | 20370 | 23050 | 25920 | 29000 | 32280 | 35790 | | | |
| | | | | | | 115 | - | 19620 | 22200 | 24980 | 27950 | 31140 | 34540 | | | |
| | OP-HRXM0600 | WG | Q | 114N3499 | MLZ45 | 90 | 25440 | 28790 | 32430 | 36360 | 40560 | 45040 | 49790 | 4095 | 4030 | 9.73 |
| | | | | | | 95 | 24570 | 27840 | 31390 | 35210 | 39310 | 43680 | 48300 | | | |
| | | | | | | 100 | 23680 | 26860 | 30310 | 34040 | 38030 | 42280 | 46770 | | | |
| | | | | | | 110 | - | 24830 | 28090 | 31610 | 35380 | 39390 | 43630 | | | |
| | | | | | | 115 | - | 23800 | 26960 | 30370 | 34020 | 37910 | 42030 | | | |
| | OP-HRXM0700 | WG | Q | 114N3500 | MLZ48 | 90 | 26930 | 30440 | 34250 | 38340 | 42720 | 47380 | 52310 | 4157 | 4082 | 9.76 |
| | | | | | | 95 | 26040 | 29450 | 33160 | 37150 | 41410 | 45950 | 50750 | | | |
| | | | | | | 100 | 25120 | 28440 | 32050 | 35930 | 40070 | 44490 | 49160 | | | |
| | | | | | | 110 | - | 26370 | 29750 | 33410 | 37320 | 41480 | 45880 | | | |
| | | | | | | 115 | - | 25310 | 28590 | 32120 | 35910 | 39940 | 44210 | | | |
| | OP-HRXM0750 | WG | Q | 114N3501 | MLZ58 | 90 | 32660 | 36870 | 41410 | 46290 | 51500 | 57050 | 62950 | 5031 | 4935 | 9.66 |
| | | | | | | 95 | 31670 | 35770 | 40190 | 44940 | 50020 | 55440 | 61200 | | | |
| | | | | | | 100 | 30690 | 34660 | 38950 | 43570 | 48520 | 53800 | 59400 | | | |
| | | | | | | 110 | - | 32410 | 36430 | 40770 | 45430 | 50410 | 55700 | | | |
| | | | | | | 115 | - | 31280 | 35150 | 39340 | 43850 | 48670 | 53800 | | | |
| | OP-HRXM1000 | WG | Q | 114N3502 | MLZ76 | 90 | 41830 | 47000 | 52650 | 58760 | 65320 | 72310 | 79710 | 6361 | 6222 | 9.8 |
| | | | | | | 95 | 40540 | 45600 | 51120 | 57090 | 63490 | 70290 | 77490 | | | |
| | | | | | | 100 | 39210 | 44160 | 49550 | 55380 | 61610 | 68230 | 75220 | | | |
| | | | | | | 110 | - | 41150 | 46280 | 51800 | 57700 | 63950 | 70540 | | | |
| | | | | | | 115 | - | 39580 | 44580 | 49950 | 55680 | 61750 | 68130 | | | |
| | OP-HRXM1000 | WG | R | 114N3522 | MLZ76 | 90 | 41740 | 46890 | 52510 | 58600 | 65130 | 72080 | 79430 | 6565 | 6423 | 9.49 |
| | | | | | | 95 | 40450 | 45490 | 50990 | 56930 | 63290 | 70060 | 77210 | | | |
| | | | | | | 100 | 39120 | 44040 | 49410 | 55210 | 61410 | 67990 | 74940 | | | |
| 110 | | | | | | - | 41020 | 46130 | 51630 | 57500 | 63710 | 70250 | | | | |
| 115 | | | | | | - | 39450 | 44430 | 49780 | 55470 | 61500 | 67840 | | | | |

Test condition
 Return gas temperature 65°F
 Subcooling 5°F

Electrical code
N: Compressor & fan(s) 230V, 1 ph, 60 Hz
Q: Compressor 208-230V, 3ph, 60 Hz & Fan(s) 230V, 1ph, 60 Hz
R: Compressor 420-460V, 3ph, 60 Hz & Fan(s) 460V, 1ph, 60Hz

Version
WG: Electrical box, Receiver, Dual pressure control, Fan speed controller or Fan cycling, Defrost Timer, Outdoor enclosure (MBP)

HP rating in hundredths of HP, i.e.: 033=1/3hp, (OP-UCGC0100U:0100=1hp)
 Power consumption referred at 90°F ambient temperature
 *This refrigeration system is designed and certified for use in walk-in cooler applications
 Performance data is based on fan full speed
 All Optyma Slim Condensing units are UL Listed

Catalog
Optyma™ Slim condensing unit R134a - MBP

| Model no | Condenser coil | | | Condenser fan | Receiver volume [Lbs] | Dimensions (in) ⁽¹⁾ | | | | | | Weight (lbs) | | MCA (A) | Wiring diagram code ⁽²⁾ |
|-------------|----------------|----------------|-------------------|------------------|-----------------------|--------------------------------|---------------|--------------|--------------|--------------|-------------|--------------|-----|---------|------------------------------------|
| | Type | Air flow [CFM] | Int. volume [lbs] | Fan blade Ø (in) | | Figure | Height H (in) | Width W (in) | Depth D (in) | Suction line | Liquid line | Gross | Net | | |
| OP-HNXM0500 | N8 | 5180 | 3.7 | 18 | 22 | 2 | 28.8 | 49.4 | 31.5 | 7/8" | 1/2" | 400 | 367 | 50.4 | 119-8312 |
| | | | | | | | | | | | | | | 33.3 | 119-8313 |
| OP-HRXM0600 | N8 | 5180 | 3.7 | 18 | 22 | 2 | 28.8 | 49.4 | 31.5 | 7/8" | 1/2" | 400 | 367 | 39.2 | 119-8313 |
| | | | | | | | | | | | | | | 15 | 119-8640 |
| | | | | | | | | | | | | | | 42.2 | 119-8313 |
| OP-HRXM0700 | N8 | 5180 | 3.7 | 18 | 22 | 2 | 28.8 | 49.4 | 31.5 | 7/8" | 1/2" | 400 | 367 | | |
| | | | | | | | | | | | | | | 16 | 119-8640 |
| OP-HRXM0750 | Q8 | 8230 | 5.4 | 24 | 30 | 2 | 39.1 | 61.2 | 31.5 | 1 1/8" | 5/8" | 630 | 594 | 50.7 | 119-8313 |
| | | | | | | | | | | | | | | 20 | 119-8640 |
| | | | | | | | | | | | | | | 65.1 | 119-8313 |
| OP-HRXM1000 | Q8 | 8230 | 5.4 | 24 | 30 | 2 | 39.1 | 61.2 | 31.5 | 1 1/8" | 5/8" | 630 | 594 | | |
| | | | | | | | | | | | | | | 28 | 119-8640 |

⁽¹⁾ Dimensions (in) available on page 69
⁽²⁾ Wiring diagram available on pages 66
 For spare parts, see pages 64

| Fan | Model no | Version | Electrical code | Code no | Compressor model | Amb. temp. | Capacity range in (btu/hr) at evaporating temperature | | | | | | | Power consumption [W] at evap. temp. 25 F | Power consumption [W] at evap. temp. 20 F | AWEF* |
|-------------|-------------|---------|----------------------|----------------------|------------------|------------|---|-------|-------|-------|-------|-------|-------|---|---|----------------|
| | | | | | | °F | 10 | 15 | 20 | 25 | 30 | 35 | 40 | | | |
| Single fan | OP-HJZM0150 | WG | N Q | 114N3485 114N3486 | MTZ18 | 90 | 9048 | 10350 | 11676 | 13124 | 14644 | 16232 | 17847 | 2002 | 1935 | 7.85 |
| | | | | | | 95 | 8504 | 9749 | 11017 | 12399 | 13848 | 15363 | 16904 | | | |
| | | | | | | 100 | 7957 | 9146 | 10355 | 11672 | 13052 | 14492 | 15960 | | | |
| | | | | | | 110 | - | 8138 | 9249 | 10458 | 11723 | 13042 | 14388 | | | |
| | | | | | | 115 | - | 7532 | 8585 | 9730 | 10927 | 12175 | 13449 | | | |
| | OP-HNXM0200 | WG | N Q | 114N3487 114N3488 | MLZ15 | 90 | 14640 | 16250 | 17950 | 19740 | 21590 | 23520 | 25490 | 2359 | 2337 | 10.06 10.04 |
| | | | | | | 95 | 13970 | 15520 | 17150 | 18870 | 20650 | 22490 | 24380 | | | |
| | | | | | | 100 | 13290 | 14780 | 16340 | 17990 | 19700 | 21460 | 23260 | | | |
| | | | | | | 110 | - | 13240 | 14680 | 16180 | 17750 | 19350 | 20990 | | | |
| | | | | | | 115 | - | 12440 | 13820 | 15260 | 16750 | 18280 | 19850 | | | |
| | OP-HNXM0250 | WG | N Q | 114N3489 114N3490 | MLZ19 | 90 | 19080 | 20970 | 22970 | 25090 | 27320 | 29670 | 32130 | 2973 | 2933 | 10.04 10.30 |
| | | | | | | 95 | 18290 | 20100 | 22020 | 24040 | 26180 | 28430 | 30800 | | | |
| | | | | | | 100 | 17490 | 19210 | 21040 | 22980 | 25030 | 27180 | 29450 | | | |
| | | | | | | 110 | - | 17390 | 19050 | 20810 | 22670 | 24640 | 26710 | | | |
| | | | | | | 115 | - | 16450 | 18020 | 19690 | 21470 | 23340 | 25320 | | | |
| | OP-HNXM0300 | WG | N Q | 114N3491 114N3492 | MLZ21 | 90 | 20150 | 22110 | 24190 | 26400 | 28730 | 31190 | 33790 | 3187 | 3136 | 9.92 10.27 |
| | | | | | | 95 | 19300 | 21180 | 23180 | 25290 | 27530 | 29890 | 32390 | | | |
| | | | | | | 100 | 18420 | 20220 | 22140 | 24160 | 26310 | 28580 | 30970 | | | |
| | | | | | | 110 | - | 18230 | 19980 | 21840 | 23800 | 25890 | 28090 | | | |
| | | | | | | 115 | - | 17190 | 18860 | 20630 | 22510 | 24510 | 26630 | | | |
| OP-HNXM0350 | WG | N Q | 114N3493 114N3494 | MLZ26 | 90 | 25330 | 27850 | 30510 | 33300 | 36230 | 39270 | 42440 | 3829 | 3774 | 10.33 10.58 | |
| | | | | | 95 | 24270 | 26680 | 29230 | 31910 | 34720 | 37640 | 40680 | | | | |
| | | | | | 100 | 23170 | 25480 | 27930 | 30490 | 33180 | 35980 | 38900 | | | | |
| | | | | | 110 | - | 22980 | 25210 | 27560 | 30020 | 32580 | 35250 | | | | |
| | | | | | 115 | - | 21670 | 23800 | 26040 | 28390 | 30840 | 33400 | | | | |
| OP-HNXM0400 | WG | N Q | 114N3495 114N3496 | MLZ30 | 90 | 28880 | 31820 | 34900 | 38120 | 41480 | 44960 | 48570 | 4596 | 4507 | 9.62 10.51 | |
| | | | | | 95 | 27590 | 30400 | 33360 | 36450 | 39660 | 43010 | 46470 | | | | |
| | | | | | 100 | 26270 | 28960 | 31790 | 34740 | 37820 | 41020 | 44340 | | | | |
| | | | | | 110 | - | 25990 | 28570 | 31250 | 34060 | 36970 | 40000 | | | | |
| | | | | | 115 | - | 24470 | 26910 | 29470 | 32140 | 34920 | 37800 | | | | |

Test condition

Return gas temperature 65°F
Subcooling 5°F

Electrical code

N: Compressor & fan(s) 230V, 1 ph, 60 Hz
Q: Compressor 208-230V, 3ph, 60 Hz
Fan(s) 230V, 1ph, 60 Hz

Version

WG: Electrical box, Receiver, Dual pressure control, Fan speed controller or Fan cycling, Defrost Timer, Outdoor enclosure (MBP)

HP rating in hundredths of HP, ie.: 033=1/3hp, (OP-UCGC0100U:0100=1hp)

Power consumption referred at 90°F ambient temperature

*This refrigeration system is designed and certified for use in walk-in cooler applications

Performance data is based on fan full speed

All Optyma Slim Condensing units are UL Listed

| Model no | Condenser coil | | | Condenser fan | Receiver volume [Lbs] | Dimensions (in) ⁽¹⁾ | | | | | | Weight (lbs) | | MCA (A) | Wiring diagram code ⁽²⁾ |
|-------------|----------------|----------------|-------------------|------------------|-----------------------|--------------------------------|---------------|--------------|--------------|--------------|-------------|--------------|-----|---------|------------------------------------|
| | Type | Air flow [CFM] | Int. volume [lbs] | Fan blade Ø (in) | | Figure | Height H (in) | Width W (in) | Depth D (in) | Suction line | Liquid line | Gross | Net | | |
| OP-HJZM0150 | D8 | 1410 | 0.9 | 14 | 6.5 | 1 | 19.5 | 43.5 | 13.4 | 5/8" | 3/8" | 176 | 156 | 12.6 | 119-8312 |
| | | | | | | | | | | | | | | 9.04 | 119-8315 |
| OP-HNXM0200 | G8 | 2825 | 1.1 | 18 | 13 | 1 | 22.4 | 47.4 | 16.5 | 7/8" | 1/2" | 253 | 227 | 19.2 | 119-8312 |
| | | | | | | | | | | | | | | 14.3 | 119-8313 |
| OP-HNXM0250 | G8 | 2825 | 1.1 | 18 | 13 | 1 | 22.4 | 47.4 | 16.5 | 7/8" | 1/2" | 253 | 227 | 26.8 | 119-8312 |
| | | | | | | | | | | | | | | 18.6 | 119-8313 |
| OP-HNXM0300 | G8 | 2825 | 1.1 | 18 | 13 | 1 | 22.4 | 47.4 | 16.5 | 7/8" | 1/2" | 253 | 227 | 28.7 | 119-8312 |
| | | | | | | | | | | | | | | 19 | 119-8313 |
| OP-HNXM0350 | J8 | 3700 | 2.8 | 18 | 17.5 | 1 | 28.2 | 47.4 | 16.5 | 7/8" | 1/2" | 300 | 271 | 35.5 | 119-8312 |
| | | | | | | | | | | | | | | 22.7 | 119-8313 |
| OP-HNXM0400 | J8 | 3700 | 2.8 | 18 | 17.5 | 1 | 28.2 | 47.4 | 16.5 | 7/8" | 1/2" | 300 | 271 | 41.8 | 119-8312 |
| | | | | | | | | | | | | | | 26.6 | 119-8313 |

⁽¹⁾ Dimensions (in) available on page 69
⁽²⁾ Wiring diagram available on pages 66
For spare parts, see pages 64

| Fan | Model no | Version | Electrical code | Code no | Compressor model | Amb. temp. | Capacity range in (btu/hr) at evaporating temperature | | | | | | | Power consumption [W] at evap. temp. 25 F | Power consumption [W] at evap. temp. 20 F | AWEF* |
|---------|-------------|---------|-----------------|----------------------|------------------|------------|---|-------|-------|-------|--------|--------|--------|---|---|---------------|
| | | | | | | °F | 10 | 15 | 20 | 25 | 30 | 35 | 40 | | | |
| Two fan | OP-HRXM0500 | WG | N Q | 114N3497 114N3498 | MLZ38 | 90 | 35730 | 39530 | 43530 | 47720 | 52110 | 56690 | 61440 | 5430 | 5336 | 9.64 10.48 |
| | | | | | | 95 | 34120 | 37770 | 41630 | 45690 | 49930 | 54360 | 58960 | | | |
| | | | | | | 100 | 32480 | 35990 | 39700 | 43610 | 47700 | 51970 | 56420 | | | |
| | | | | | | 110 | - | 32350 | 35750 | 39340 | 43110 | 47060 | 51190 | | | |
| | | | | | | 115 | - | 30520 | 33750 | 37170 | 40770 | 44560 | 48510 | | | |
| | OP-HRXM0600 | WG | Q | 114N3499 | MLZ45 | 90 | 43050 | 47300 | 51790 | 56540 | 61520 | 66740 | 72210 | 6264 | 6181 | 10.57 |
| | | | | | | 95 | 41250 | 45320 | 49630 | 54180 | 58960 | 63980 | 69220 | | | |
| | | | | | | 100 | 39410 | 43310 | 47430 | 51780 | 56360 | 61170 | 66200 | | | |
| | | | | | | 110 | - | 39140 | 42890 | 46860 | 51040 | 55430 | 60040 | | | |
| | | | | | | 115 | - | 36980 | 40550 | 44320 | 48310 | 52500 | 56900 | | | |
| | OP-HRXM0700 | WG | Q | 114N3500 | MLZ48 | 90 | 46560 | 51140 | 55980 | 61060 | 66380 | 71930 | 77700 | 6912 | 6798 | 10.45 |
| | | | | | | 95 | 44590 | 48980 | 53610 | 58470 | 63570 | 68890 | 74420 | | | |
| | | | | | | 100 | 42570 | 46760 | 51180 | 55830 | 60700 | 65790 | 71080 | | | |
| | | | | | | 110 | - | 42140 | 46150 | 50360 | 54790 | 59420 | 64250 | | | |
| | | | | | | 115 | - | 39740 | 43540 | 47540 | 51750 | 56160 | 60760 | | | |
| | OP-HRXM0750 | WG | Q | 114N3501 | MLZ58 | 90 | 56950 | 63010 | 69380 | 76050 | 83030 | 90340 | 97970 | 8089 | 7948 | 10.66 |
| | | | | | | 95 | 54160 | 59960 | 66040 | 72410 | 79070 | 86030 | 93300 | | | |
| | | | | | | 100 | 51290 | 56830 | 62620 | 68670 | 75010 | 81620 | 88520 | | | |
| | | | | | | 110 | - | 50310 | 55510 | 60940 | 66610 | 72520 | 78690 | | | |
| | | | | | | 115 | - | 46940 | 51840 | 56950 | 62280 | 67840 | 73640 | | | |
| | OP-HRXM1000 | WG | Q | 114N3502 | MLZ76 | 90 | 72760 | 79770 | 87190 | 95020 | 103300 | 111900 | 120900 | 10580 | 10380 | 10.3 |
| | | | | | | 95 | 69610 | 76280 | 83330 | 90760 | 98580 | 106800 | 115400 | | | |
| | | | | | | 100 | 66390 | 72700 | 79370 | 86410 | 93800 | 101600 | 109700 | | | |
| | | | | | | 110 | - | 65300 | 71210 | 77440 | 84000 | 90890 | 98100 | | | |
| | | | | | | 115 | - | 61460 | 67000 | 72830 | 78970 | 85420 | 92190 | | | |
| | OP-HRXM1000 | WG | R | 114N3522 | MLZ76 | 90 | 72440 | 79400 | 86750 | 94500 | 102600 | 111200 | 120100 | 10810 | 10610 | 10.05 |
| | | | | | | 95 | 69300 | 75900 | 82880 | 90230 | 97960 | 106100 | 114500 | | | |
| | | | | | | 100 | 66070 | 72330 | 78930 | 85880 | 93190 | 100900 | 108900 | | | |
| 110 | | | | | | - | 64910 | 70760 | 76920 | 83390 | 90190 | 97300 | | | | |
| 115 | | | | | | - | 61080 | 66550 | 72310 | 78370 | 84730 | 91400 | | | | |

Test condition

Return gas temperature 65°F
Subcooling 5°F

Electrical code

N: Compressor & fan(s) 230V, 1 ph, 60 Hz
Q: Compressor 208-230V, 3ph, 60 Hz & Fan(s) 230V, 1ph, 60 Hz
R: Compressor 420-460V, 3ph, 60 Hz & Fan(s) 460V, 1ph, 60Hz

Version

WG: Electrical box, Receiver, Dual pressure control, Fan speed controller or Fan cycling, Defrost Timer, Outdoor enclosure (MBP)

HP rating in hundredths of HP, i.e.: 033=1/3hp, (OP-UCGC0100U:0100=1hp)

Power consumption referred at 90°F ambient temperature

*This refrigeration system is designed and certified for use in walk-in cooler applications

Performance data is based on fan full speed

All Optyma Slim Condensing units are UL Listed

| Model no | Condenser coil | | | Condenser fan | Receiver volume [Lbs] | Dimensions (in) ⁽¹⁾ | | | | | | Weight (lbs) | | MCA (A) | Wiring diagram code ⁽²⁾ |
|-------------|----------------|----------------|-------------------|------------------|-----------------------|--------------------------------|---------------|--------------|--------------|--------------|-------------|--------------|-----|---------|------------------------------------|
| | Type | Air flow [CFM] | Int. volume [lbs] | Fan blade Ø (in) | | Figure | Height H (in) | Width W (in) | Depth D (in) | Suction line | Liquid line | Gross | Net | | |
| | | | | | | | | | | | | | | 50.4 | 119-8312 |
| OP-HRXM0500 | N8 | 5180 | 3.7 | 18 | 22 | 2 | 28.8 | 49.4 | 31.5 | 7/8" | 1/2" | 400 | 367 | 33.3 | 119-8313 |
| | | | | | | | | | | | | | | 39.2 | 119-8313 |
| OP-HRXM0600 | N8 | 5180 | 3.7 | 18 | 22 | 2 | 28.8 | 49.4 | 31.5 | 7/8" | 1/2" | 400 | 367 | 15 | 119-8640 |
| | | | | | | | | | | | | | | 42.2 | 119-8313 |
| OP-HRXM0700 | N8 | 5180 | 3.7 | 18 | 22 | 2 | 28.8 | 49.4 | 31.5 | 7/8" | 1/2" | 400 | 367 | 16 | 119-8640 |
| | | | | | | | | | | | | | | 50.7 | 119-8313 |
| OP-HRXM0750 | Q8 | 8230 | 5.4 | 24 | 30 | 2 | 39.1 | 61.2 | 31.5 | 1 1/8" | 5/8" | 630 | 594 | 20 | 119-8640 |
| | | | | | | | | | | | | | | 65.1 | 119-8313 |
| OP-HRXM1000 | Q8 | 8230 | 5.4 | 24 | 30 | 2 | 39.1 | 61.2 | 31.5 | 1 1/8" | 5/8" | 630 | 594 | 28 | 119-8640 |

⁽¹⁾ Dimensions (in) available on page 69
⁽²⁾ Wiring diagram available on pages 66
 For spare parts, see pages 64

| Fan | Model no | Version | Electrical code | Code no | Compressor model | Amb. temp. | Capacity range in (btu/hr) at evaporating temperature | | | | | | | Power consumption [W] at evap. temp. 25 °F | Power consumption [W] at evap. temp. 20 °F | AWEF* |
|-------------|-------------|---------|----------------------|----------------------|------------------|------------|---|-------|-------|-------|-------|-------|-------|--|--|--------------|
| | | | | | | °F | 10 | 15 | 20 | 25 | 30 | 35 | 40 | | | |
| Single fan | OP-HJZM0150 | WG | N Q | 114N3485 114N3486 | MTZ18 | 90 | 8675 | 9829 | 11050 | 12340 | 13690 | 15100 | 16570 | 1875 | 1801 | 8.09 |
| | | | | | | 95 | 8167 | 9269 | 10440 | 11660 | 12950 | 14290 | 15690 | | | |
| | | | | | | 100 | 7662 | 8712 | 9822 | 10990 | 12210 | 13490 | 14820 | | | |
| | | | | | | 110 | - | 7606 | 8606 | 9658 | 10760 | 11910 | 13100 | | | |
| | | | | | | 115 | - | 7059 | 8005 | 8999 | 10040 | 11120 | 12250 | | | |
| | OP-HNXM0200 | WG | N Q | 114N3487 114N3488 | MLZ15 | 90 | 14020 | 15500 | 17070 | 18730 | 20490 | 22340 | 24290 | 2481 | 2442 | 8.69 8.98 |
| | | | | | | 95 | 13490 | 14900 | 16400 | 18000 | 19680 | 21450 | 23310 | | | |
| | | | | | | 100 | 12930 | 14280 | 15720 | 17240 | 18850 | 20540 | 22320 | | | |
| | | | | | | 110 | - | 13000 | 14300 | 15670 | 17120 | 18660 | 20270 | | | |
| | | | | | | 115 | - | 12340 | 13560 | 14860 | 16240 | 17690 | 19230 | | | |
| | OP-HNXM0250 | WG | N Q | 114N3489 114N3490 | MLZ19 | 90 | 17940 | 19830 | 21830 | 23940 | 26150 | 28470 | 30900 | 3087 | 3032 | 9.06 9.23 |
| | | | | | | 95 | 17220 | 19030 | 20940 | 22960 | 25080 | 27300 | 29620 | | | |
| | | | | | | 100 | 16470 | 18210 | 20030 | 21960 | 23980 | 26100 | 28320 | | | |
| | | | | | | 110 | - | 16500 | 18150 | 19890 | 21720 | 23640 | 25650 | | | |
| | | | | | | 115 | - | 15620 | 17190 | 18830 | 20560 | 22380 | 24290 | | | |
| | OP-HNXM0300 | WG | N Q | 114N3491 114N3492 | MLZ21 | 90 | 18820 | 20800 | 22890 | 25100 | 27430 | 29870 | 32420 | 3237 | 3177 | 9.06 9.28 |
| | | | | | | 95 | 18050 | 19940 | 21940 | 24060 | 26280 | 28620 | 31070 | | | |
| | | | | | | 100 | 17250 | 19060 | 20970 | 22990 | 25110 | 27340 | 29680 | | | |
| | | | | | | 110 | - | 17220 | 18940 | 20770 | 22690 | 24710 | 26840 | | | |
| | | | | | | 115 | - | 16270 | 17900 | 19620 | 21450 | 23360 | 25380 | | | |
| OP-HNXM0350 | WG | N Q | 114N3493 114N3494 | MLZ26 | 90 | 23480 | 25980 | 28640 | 31450 | 34410 | 37530 | 40790 | 3855 | 3779 | 9.56 9.76 | |
| | | | | | 95 | 22490 | 24900 | 27450 | 30150 | 32990 | 35980 | 39120 | | | | |
| | | | | | 100 | 21490 | 23800 | 26240 | 28830 | 31550 | 34420 | 37430 | | | | |
| | | | | | 110 | - | 21530 | 23760 | 26110 | 28600 | 31230 | 33980 | | | | |
| | | | | | 115 | - | 20360 | 22480 | 24730 | 27100 | 29600 | 32240 | | | | |
| OP-HNXM0400 | WG | N Q | 114N3495 114N3496 | MLZ30 | 90 | 27420 | 30250 | 33240 | 36400 | 39720 | 43200 | 46830 | 4572 | 4466 | 9.35 9.80 | |
| | | | | | 95 | 26330 | 29040 | 31900 | 34920 | 38100 | 41430 | 44910 | | | | |
| | | | | | 100 | 25210 | 27800 | 30530 | 33410 | 36440 | 39620 | 42950 | | | | |
| | | | | | 110 | - | 25210 | 27670 | 30280 | 33020 | 35910 | 38940 | | | | |
| | | | | | 115 | - | 23870 | 26200 | 28670 | 31270 | 34010 | 36890 | | | | |

Test condition

Return gas temperature 65°F
Subcooling 5°F

Electrical code

N: Compressor & fan(s) 230V, 1 ph, 60 Hz
Q: Compressor 208-230V, 3ph, 60 Hz
Fan(s) 230V, 1ph, 60 Hz

Version

WG: Electrical box, Receiver, Dual pressure control, Fan speed controller or Fan cycling, Defrost Timer, Outdoor enclosure (MBP)

HP rating in hundredths of HP, ie.: 033=1/3hp, (OP-UCGC0100U:0100=1hp)

Power consumption referred at 90°F ambient temperature

*This refrigeration system is designed and certified for use in walk-in cooler applications

Performance data is based on fan full speed

All Optyma Slim Condensing units are UL Listed

| Model no | Condenser coil | | | Condenser fan | Receiver volume [Lbs] | Dimensions (in) ⁽¹⁾ | | | | | | Weight (lbs) | | MCA (A) | Wiring diagram code ⁽²⁾ |
|-------------|----------------|----------------|-------------------|------------------|-----------------------|--------------------------------|---------------|--------------|--------------|--------------|-------------|--------------|-----|---------|------------------------------------|
| | Type | Air flow [CFM] | Int. volume [lbs] | Fan blade Ø (in) | | Figure | Height H (in) | Width W (in) | Depth D (in) | Suction line | Liquid line | Gross | Net | | |
| OP-HJZM0150 | D8 | 1410 | 0.9 | 14 | 6.5 | 1 | 19.5 | 43.5 | 13.4 | ⅝" | ⅜" | 176 | 156 | 12.6 | 119-8312 |
| | | | | | | | | | | | | | | 9.04 | 119-8315 |
| OP-HNXM0200 | G8 | 2825 | 1.1 | 18 | 13 | 1 | 22.4 | 47.4 | 16.5 | ⅞" | ½" | 253 | 227 | 19.2 | 119-8312 |
| | | | | | | | | | | | | | | 14.3 | 119-8313 |
| OP-HNXM0250 | G8 | 2825 | 1.1 | 18 | 13 | 1 | 22.4 | 47.4 | 16.5 | ⅞" | ½" | 253 | 227 | 26.8 | 119-8312 |
| | | | | | | | | | | | | | | 18.6 | 119-8313 |
| OP-HNXM0300 | G8 | 2825 | 1.1 | 18 | 13 | 1 | 22.4 | 47.4 | 16.5 | ⅞" | ½" | 253 | 227 | 28.7 | 119-8312 |
| | | | | | | | | | | | | | | 19 | 119-8313 |
| OP-HNXM0350 | J8 | 3700 | 2.8 | 18 | 17.5 | 1 | 28.2 | 47.4 | 16.5 | ⅞" | ½" | 300 | 271 | 35.5 | 119-8312 |
| | | | | | | | | | | | | | | 22.7 | 119-8313 |
| OP-HNXM0400 | J8 | 3700 | 2.8 | 18 | 17.5 | 1 | 28.2 | 47.4 | 16.5 | ⅞" | ½" | 300 | 271 | 41.8 | 119-8312 |
| | | | | | | | | | | | | | | 26.6 | 119-8313 |

⁽¹⁾ Dimensions (in) available on page 69

⁽²⁾ Wiring diagram available on pages 66

For spare parts, see pages 64

| Fan | Model no | Version | Electrical code | Code no | Compressor model | Amb. temp. | Capacity range in (btu/hr) at evaporating temperature | | | | | | Power consumption [W] at evap. temp. 25° F | Power consumption [W] at evap. temp. 20° F | AWEF* | |
|---------|-------------|---------|-----------------|----------------------|------------------|------------|---|-------|-------|-------|-------|--------|--|--|-------|--------------|
| | | | | | | °F | 10 | 15 | 20 | 25 | 30 | 35 | | | | 40 |
| Two fan | OP-HRXM0500 | WG | N Q | 114N3497 114N3498 | MLZ38 | 90 | 33490 | 37040 | 40820 | 44840 | 49100 | 53590 | 58330 | 5617 | 5514 | 9.14 9.71 |
| | | | | | | 95 | 32190 | 35580 | 39210 | 43050 | 47130 | 51440 | 55980 | | | |
| | | | | | | 100 | 30850 | 34100 | 37560 | 41230 | 45130 | 49240 | 53580 | | | |
| | | | | | | 110 | - | 31020 | 34150 | 37470 | 41000 | 44740 | 48690 | | | |
| | | | | | | 115 | - | 29440 | 32390 | 35540 | 38890 | 42440 | 46190 | | | |
| | OP-HRXM0600 | WG | Q | 114N3499 | MLZ45 | 90 | 40810 | 44950 | 49360 | 54040 | 58980 | 64190 | 69670 | 6647 | 6484 | 9.53 |
| | | | | | | 95 | 39180 | 43130 | 47340 | 51800 | 56510 | 61490 | 66730 | | | |
| | | | | | | 100 | 37520 | 41280 | 45270 | 49520 | 54010 | 58750 | 63750 | | | |
| | | | | | | 110 | - | 37480 | 41060 | 44860 | 48890 | 53170 | 57680 | | | |
| | | | | | | 115 | - | 35540 | 38900 | 42480 | 46290 | 50330 | 54610 | | | |
| | OP-HRXM0700 | WG | Q | 114N3500 | MLZ48 | 90 | 44500 | 49090 | 53970 | 59130 | 64580 | 70310 | 76320 | 7246 | 7086 | 9.81 |
| | | | | | | 95 | 42630 | 47020 | 51680 | 56620 | 61830 | 67320 | 73080 | | | |
| | | | | | | 100 | 40720 | 44900 | 49350 | 54050 | 59030 | 64270 | 69780 | | | |
| | | | | | | 110 | - | 40550 | 44550 | 48790 | 53280 | 58030 | 63050 | | | |
| | | | | | | 115 | - | 38330 | 42090 | 46100 | 50350 | 54860 | 59620 | | | |
| | OP-HRXM0750 | WG | Q | 114N3501 | MLZ58 | 90 | 53900 | 59650 | 65770 | 72280 | 79180 | 86470 | 94150 | 8415 | 8255 | 10.3 |
| | | | | | | 95 | 51680 | 57210 | 63090 | 69350 | 75980 | 82990 | 90380 | | | |
| | | | | | | 100 | 49420 | 54710 | 60350 | 66340 | 72700 | 79430 | 86520 | | | |
| | | | | | | 110 | - | 49540 | 54670 | 60140 | 65940 | 72090 | 78600 | | | |
| | | | | | | 115 | - | 46880 | 51750 | 56940 | 62470 | 68330 | 74550 | | | |
| | OP-HRXM1000 | WG | Q | 114N3502 | MLZ76 | 90 | 67150 | 74200 | 81650 | 89500 | 97760 | 106400 | 115500 | 10420 | 10220 | 9.95 |
| | | | | | | 95 | 64380 | 71130 | 78270 | 85800 | 93710 | 102000 | 110700 | | | |
| | | | | | | 100 | 61540 | 68000 | 74820 | 82020 | 89590 | 97530 | 105800 | | | |
| | | | | | | 110 | - | 61520 | 67700 | 74220 | 81090 | 88310 | 95890 | | | |
| | | | | | | 115 | - | 58180 | 64040 | 70220 | 76740 | 83600 | 90810 | | | |
| | OP-HRXM1000 | WG | R | 114N3522 | MLZ76 | 90 | 66860 | 73850 | 81230 | 89000 | 97170 | 105700 | 114600 | 10680 | 10470 | 9.69 |
| | | | | | | 95 | 64080 | 70780 | 77850 | 85300 | 93120 | 101300 | 109900 | | | |
| | | | | | | 100 | 61240 | 67640 | 74400 | 81510 | 88990 | 96820 | 105000 | | | |
| 110 | | | | | | - | 61140 | 67250 | 73680 | 80460 | 87560 | 95010 | | | | |
| 115 | | | | | | - | 57790 | 63560 | 69650 | 76070 | 82810 | 89880 | | | | |

Test condition
 Return gas temperature 65°F
 Subcooling 5°F

Electrical code
N: Compressor & fan(s) 230V, 1 ph, 60 Hz
Q: Compressor 208-230V, 3ph, 60 Hz & Fan(s) 230V, 1ph, 60 Hz
R: Compressor 420-460V, 3ph, 60 Hz & Fan(s) 460V, 1ph, 60Hz

Version
WG: Electrical box, Receiver, Dual pressure control, Fan speed controller or Fan cycling, Defrost Timer, Outdoor enclosure (MBP)

HP rating in hundredths of HP, ie.: 033=1/3hp, (OP-UCGC0100U:0100=1hp)
 Power consumption referred at 90°F ambient temperature
 *This refrigeration system is designed and certified for use in walk-in cooler applications
 Performance data is based on fan full speed

All Optyma Slim Condensing units are UL Listed

Catalog

Optyma™ Slim condensing unit R452A - MBP

| Model no | Condenser coil | | | Condenser fan | Receiver volume [Lbs] | Dimensions (in) ⁽¹⁾ | | | | | | Weight (lbs) | | MCA (A) | Wiring diagram code ⁽²⁾ |
|-------------|----------------|----------------|-------------------|------------------|-----------------------|--------------------------------|---------------|--------------|--------------|--------------|-------------|--------------|-----|---------|------------------------------------|
| | Type | Air flow [CFM] | Int. volume [lbs] | Fan blade Ø (in) | | Figure | Height H (in) | Width W (in) | Depth D (in) | Suction line | Liquid line | Gross | Net | | |
| | | | | | | | | | | | | | | 50.4 | 119-8312 |
| OP-HRXM0500 | N8 | 5180 | 3.7 | 18 | 22 | 2 | 28.8 | 49.4 | 31.5 | 7/8" | 1/2" | 400 | 367 | 33.3 | 119-8313 |
| | | | | | | | | | | | | | | 39.2 | 119-8313 |
| OP-HRXM0600 | N8 | 5180 | 3.7 | 18 | 22 | 2 | 28.8 | 49.4 | 31.5 | 7/8" | 1/2" | 400 | 367 | 15 | 119-8640 |
| | | | | | | | | | | | | | | 42.2 | 119-8313 |
| OP-HRXM0700 | N8 | 5180 | 3.7 | 18 | 22 | 2 | 28.8 | 49.4 | 31.5 | 7/8" | 1/2" | 400 | 367 | 16 | 119-8640 |
| | | | | | | | | | | | | | | 50.7 | 119-8313 |
| OP-HRXM0750 | Q8 | 8230 | 5.4 | 24 | 30 | 2 | 39.1 | 61.2 | 31.5 | 1 1/8" | 5/8" | 630 | 594 | 20 | 119-8640 |
| | | | | | | | | | | | | | | 65.1 | 119-8313 |
| OP-HRXM1000 | Q8 | 8230 | 5.4 | 24 | 30 | 2 | 39.1 | 61.2 | 31.5 | 1 1/8" | 5/8" | 630 | 594 | 28 | 119-8640 |

⁽¹⁾Dimensions (in) available on page 69
⁽²⁾Wiring diagram available on pages 66
 For spare parts, see pages 64

| Fan | Model no | Version | Electrical code | Code no | Compressor model | Amb. temp. | Capacity range in (btu/hr) at evaporating temperature | | | | | | | Power consumption [W] at evap. temp. -20 F | Power consumption [W] at evap. temp. -10 F | AWEF* | |
|------------|-------------|---------|-----------------|----------|------------------|------------|---|-------|-------|-------|-------|-------|-------|--|--|-------|------|
| | | | | | | °F | -25 | -20 | -15 | -10 | -5 | 0 | 5 | | | | 10 |
| Single fan | OP-LNYM0400 | WH | Q | 114N3503 | LLZ013 | 90 | 11030 | 12470 | 14030 | 15720 | 17550 | 19500 | 21590 | 23820 | 3288 | 3583 | 3.4 |
| | | | | | | 95 | - | 12090 | 13590 | 15220 | 16970 | 18850 | 20850 | 22980 | | | |
| | | | | | | 100 | - | - | 13140 | 14700 | 16380 | 18180 | 20100 | 22140 | | | |
| | | | | | | 105 | - | - | - | 14170 | 15770 | 17490 | 19330 | 21270 | | | |
| | | | | | | 110 | - | - | - | - | 15150 | 16790 | 18540 | 20400 | | | |
| | OP-LNYM0500 | WH | Q | 114N3504 | LLZ015 | 90 | 13550 | 15280 | 17170 | 19210 | 21420 | 23800 | 26350 | 29070 | 4001 | 4317 | 3.46 |
| | | | | | | 95 | - | 14850 | 16660 | 18620 | 20730 | 23000 | 25430 | 28020 | | | |
| | | | | | | 100 | - | - | 16140 | 18010 | 20020 | 22180 | 24500 | 26960 | | | |
| | | | | | | 105 | - | - | - | 17380 | 19300 | 21350 | 23550 | 25890 | | | |
| | | | | | | 110 | - | - | - | - | 18550 | 20500 | 22580 | 24790 | | | |
| | OP-LRYM0600 | WH | Q | 114N3506 | LLZ018 | 90 | 16310 | 18430 | 20730 | 23220 | 25930 | 28840 | 31960 | 35290 | 4851 | 5243 | 3.35 |
| | | | | | | 95 | - | 17890 | 20110 | 22500 | 25090 | 27870 | 30860 | 34040 | | | |
| | | | | | | 100 | - | - | 19460 | 21750 | 24230 | 26880 | 29730 | 32770 | | | |
| | | | | | | 105 | - | - | - | 20970 | 23330 | 25860 | 28570 | 31460 | | | |
| | | | | | | 110 | - | - | - | - | 22400 | 24810 | 27380 | 30120 | | | |
| | OP-LRYM0800 | WH | Q | 114N3507 | LLZ024 | 90 | 20080 | 22620 | 25360 | 28340 | 31540 | 34990 | 38670 | 42590 | 5687 | 6218 | 3.39 |
| | | | | | | 95 | - | 21970 | 24620 | 27480 | 30560 | 33860 | 37390 | 41150 | | | |
| | | | | | | 100 | - | - | 23850 | 26590 | 29540 | 32700 | 36080 | 39680 | | | |
| | | | | | | 105 | - | - | - | 25660 | 28490 | 31510 | 34730 | 38170 | | | |
| | | | | | | 110 | - | - | - | - | 27390 | 30270 | 33340 | 36610 | | | |

Test condition

Return gas temperature 40°F
Subcooling 5°F

Electrical code

N: Compressor & fan(s) 230V, 1 ph, 60 Hz
Q: Compressor 208-230V, 3ph, 60 Hz & Fan(s) 230V, 1ph, 60 Hz
R: Compressor 420-460V, 3ph, 60 Hz & Fan(s) 460V, 1ph, 60Hz

Version

WH: Electrical box, Receiver, Dual pressure control, Fan speed controller or Fan cycling, Defrost Timer, Outdoor enclosure, Suction Accumulator (LBP)

HP rating in hundredths of HP, ie.: 033=1/3hp, (OP-UCGC0100U:0100=1hp)
Power consumption referred at 90°F ambient temperature
Performance data is based on fan full speed

All Optyma Slim Condensing units are UL Listed

| Model no | Condenser coil | | | Condenser fan | Receiver volume [Lbs] | Dimensions (in) ⁽¹⁾ | | | | | | Weight (lbs) | | MCA (A) | Wiring diagram code ⁽²⁾ |
|-------------|----------------|----------------|-------------------|------------------|-----------------------|--------------------------------|---------------|--------------|--------------|--------------|-------------|--------------|-----|---------|------------------------------------|
| | Type | Air flow [CFM] | Int. volume [lbs] | Fan blade Ø (in) | | Figure | Height H (in) | Width W (in) | Depth D (in) | Suction line | Liquid line | Gross | Net | | |
| OP-LNYM0400 | J8 | 3700 | 2.8 | 18 | 17.5 | 1 | 28.2 | 47.4 | 16.5 | ¾" | ½" | 295 | 266 | 24.3 | 119-8313 |
| OP-LNYM0500 | J8 | 3700 | 2.8 | 18 | 17.5 | 1 | 28.2 | 47.4 | 16.5 | ¾" | ½" | 295 | 266 | 25.1 | 119-8313 |
| OP-LRYM0600 | N8 | 5180 | 3.7 | 18 | 22 | 2 | 28.8 | 49.4 | 31.5 | 1 ½" | ½" | 442 | 409 | 28.9 | 119-8313 |
| | | | | | | | | | | | | | | 31.0 | 119-8641 |
| OP-LRYM0800 | N8 | 5180 | 3.7 | 18 | 22 | 2 | 28.8 | 49.4 | 31.5 | 1 ½" | ½" | 442 | 409 | 35.9 | 119-8313 |
| | | | | | | | | | | | | | | 40.0 | 119-8641 |

⁽¹⁾ Dimensions (in) available on page 69

⁽²⁾ Wiring diagram available on pages 66
For spare parts, see pages 64

| Fan | Model no | Version | Electrical code | Code no | Compressor model | Amb. temp. | Capacity range in (btu/hr) at evaporating temperature | | | | | | | Power consumption [W] at evap. temp. -20 F | Power consumption [W] at evap. temp. -10 F | AWEF* | |
|-------------|-------------|---------|-----------------|----------------------|------------------|------------|---|-------|-------|-------|-------|-------|-------|--|--|-------|--------------|
| | | | | | | °F | -25 | -20 | -15 | -10 | -5 | 0 | 5 | | | | 10 |
| Single fan | OP-LJHM0150 | WH | N Q | 114N3508 114N3509 | NTZ048 | 90 | 5545 | 6509 | 7537 | 8627 | 9776 | 10980 | 12240 | 13550 | 1552 | 1840 | 3.87 3.65 |
| | | | | | | 95 | - | 6092 | 7069 | 8104 | 9193 | 10340 | 11530 | 12770 | | | |
| | | | | | | 100 | - | 5676 | 6603 | 7582 | 8612 | 9691 | 10820 | 11990 | | | |
| | | | | | | 105 | - | - | 6138 | 7063 | 8034 | 9050 | 10110 | 11210 | | | |
| | | | | | | 110 | - | - | - | 6547 | 7460 | 8413 | 9404 | 10430 | | | |
| | OP-LJHM0200 | WH | N Q | 114N3518 114N3511 | NTZ068 | 90 | 7671 | 8785 | 9994 | 11300 | 12700 | 14190 | 15770 | 17430 | 2234 | 2588 | 4.10 3.91 |
| | | | | | | 95 | - | 8211 | 9358 | 10600 | 11930 | 13350 | 14850 | 16430 | | | |
| | | | | | | 100 | - | 7661 | 8746 | 9920 | 11180 | 12530 | 13950 | 15460 | | | |
| | | | | | | 105 | - | - | 8159 | 9267 | 10460 | 11730 | 13090 | 14510 | | | |
| | | | | | | 110 | - | - | - | 8638 | 9761 | 10960 | 12240 | 13590 | | | |
| OP-LNYM0400 | WH | Q | 114N3503 | LLZ013 | 90 | 13650 | 15330 | 17130 | 19030 | 21050 | 23190 | 25440 | 27810 | 3425 | 3692 | 3.79 | |
| | | | | | 95 | - | 14750 | 16460 | 18280 | 20200 | 22230 | 24370 | 26610 | | | | |
| | | | | | 100 | - | - | 15780 | 17510 | 19330 | 21250 | 23270 | 25390 | | | | |
| | | | | | 105 | - | - | - | 16720 | 18440 | 20250 | 22160 | 24150 | | | | |
| | | | | | 110 | - | - | - | - | 17530 | 19230 | 21020 | 22880 | | | | |
| Two fan | OP-LNYM0500 | WH | Q | 114N3504 | LLZ015 | 90 | 16480 | 18500 | 20670 | 23000 | 25500 | 28160 | 30980 | 33960 | 4102 | 4482 | 3.75 |
| | | | | | | 95 | - | 17780 | 19850 | 22070 | 24440 | 26970 | 29650 | 32480 | | | |
| | | | | | | 100 | - | - | 19010 | 21120 | 23370 | 25760 | 28300 | 30980 | | | |
| | | | | | | 105 | - | - | - | 20150 | 22280 | 24540 | 26930 | 29460 | | | |
| | | | | | | 110 | - | - | - | - | 21160 | 23290 | 25540 | 27920 | | | |
| | OP-LRYM0600 | WH | Q | 114N3506 | LLZ018 | 90 | 20030 | 22520 | 25230 | 28160 | 31310 | 34690 | 38300 | 42150 | 4981 | 5388 | 3.66 |
| | | | | | | 95 | - | 21680 | 24270 | 27060 | 30060 | 33280 | 36720 | 40380 | | | |
| | | | | | | 100 | - | - | 23280 | 25940 | 28790 | 31850 | 35110 | 38580 | | | |
| | | | | | | 105 | - | - | - | 24790 | 27500 | 30390 | 33480 | 36770 | | | |
| | | | | | | 110 | - | - | - | - | 26180 | 28910 | 31830 | 34930 | | | |
| | OP-LRYM0600 | WH | R | 114N3523 | LLZ018 | 90 | 19970 | 22450 | 25140 | 28050 | 31170 | 34520 | 38470 | 42150 | 4713 | 5124 | 3.84 |
| | | | | | | 95 | - | 21600 | 24170 | 26940 | 29920 | 33110 | 36500 | 40150 | | | |
| | | | | | | 100 | - | - | 23180 | 25820 | 28650 | 31670 | 34890 | 38300 | | | |
| | | | | | | 110 | - | - | - | - | 26030 | 28740 | 31730 | 34930 | | | |
| | | | | | | 115 | - | - | - | - | - | 27230 | 29900 | 32680 | | | |
| | OP-LRYM0800 | WH | Q | 114N3507 | LLZ024 | 90 | 24700 | 27740 | 31030 | 34560 | 38360 | 42410 | 46720 | 51290 | 5906 | 6419 | 3.72 |
| | | | | | | 95 | - | 26680 | 29810 | 33190 | 36800 | 40650 | 44750 | 49090 | | | |
| | | | | | | 100 | - | - | 28580 | 31780 | 35210 | 38870 | 42750 | 46870 | | | |
| | | | | | | 105 | - | - | - | 30350 | 33600 | 37060 | 40730 | 44610 | | | |
| | | | | | | 110 | - | - | - | - | 31950 | 35210 | 38670 | 42330 | | | |
| OP-LRYM0800 | WH | R | 114N3524 | LLZ024 | 90 | 24600 | 27620 | 30880 | 34380 | 38130 | 42140 | 46120 | 50420 | 5644 | 6163 | 3.86 | |
| | | | | | 95 | - | 26560 | 29670 | 33000 | 36580 | 40380 | 44320 | 48420 | | | | |
| | | | | | 100 | - | - | 28430 | 31600 | 34990 | 38600 | 42490 | 46490 | | | | |
| | | | | | 110 | - | - | - | - | 31730 | 34940 | 38420 | 41760 | | | | |
| | | | | | 115 | - | - | - | - | - | 33060 | 36690 | 40660 | | | | |

Test condition
Return gas temperature 40°F
Subcooling 5°F

Electrical code
N: Compressor & fan(s) 230V, 1 ph, 60 Hz
Q: Compressor 208-230V, 3ph, 60 Hz & Fan(s) 230V, 1ph, 60 Hz
R: Compressor 420-460V, 3ph, 60 Hz & Fan(s) 460V, 1ph, 60Hz

Version
WH: BX, Receiver, Dual pressure control, Fan speed controller or Fan cycling, Defrost Timer, Outdoor enclosure, Suction Accumulator (LBP)

HP rating in hundredths of HP, i.e.: 033=1/3hp, (OP-UCGC0100U:0100=1hp)
Power consumption referred at 90°F ambient temperature
Performance data is based on fan full speed

All Optyma Slim Condensing units are UL Listed

| Model no | Condenser coil | | | Condenser fan | Receiver volume [Lbs] | Dimensions (in) ⁽¹⁾ | | | | | | Weight (lbs) | | MCA (A) | Wiring diagram code ⁽²⁾ |
|-------------|----------------|----------------|-------------------|------------------|-----------------------|--------------------------------|---------------|--------------|--------------|--------------|-------------|--------------|-----|---------|------------------------------------|
| | Type | Air flow [CFM] | Int. volume [lbs] | Fan blade Ø (in) | | Figure | Height H (in) | Width W (in) | Depth D (in) | Suction line | Liquid line | Gross | Net | | |
| OP-LJHM0150 | D8 | 1410 | 0.9 | 14 | 6.5 | 1 | 19.5 | 43.5 | 13.4 | 5/8" | 3/8" | 187 | 167 | 12.8 | 119-8312 |
| | | | | | | | | | | | | | | 10 | 119-8315 |
| OP-LJHM0200 | D8 | 1410 | 0.9 | 18 | 6.5 | 1 | 19.5 | 43.5 | 13.4 | 5/8" | 3/8" | 187 | 167 | 19.8 | 119-8312 |
| | | | | | | | | | | | | | | 14.2 | 119-8315 |
| OP-LNYM0400 | J8 | 3700 | 2.8 | 18 | 17.5 | 1 | 28.2 | 47.4 | 16.5 | 7/8" | 1/2" | 295 | 266 | 24.3 | 119-8493 |
| OP-LNYM0500 | J8 | 3700 | 2.8 | 18 | 17.5 | 1 | 28.2 | 47.4 | 16.5 | 7/8" | 1/2" | 295 | 266 | 25.1 | 119-8493 |
| OP-LRYM0600 | N8 | 5180 | 3.7 | 18 | 22 | 2 | 28.8 | 49.4 | 31.5 | 1 1/8" | 1/2" | 442 | 409 | 28.9 | 119-8493 |
| | | | | | | | | | | | | | | 31.0 | 119-8641 |
| OP-LRYM0800 | N8 | 5180 | 3.7 | 18 | 22 | 2 | 28.8 | 49.4 | 31.5 | 1 1/8" | 1/2" | 442 | 409 | 35.9 | 119-8493 |
| | | | | | | | | | | | | | | 40.0 | 119-8641 |

⁽¹⁾ Dimensions (in) available on page 69
⁽²⁾ Wiring diagram available on pages 66
For spare parts, see pages 64

| Fan | Model no | Version | Electrical code | Code no | Compressor model | Amb. temp. | Capacity range in (btu/hr) at evaporating temperature | | | | | Power consumption [W] at evap. temp. -20 F | Power consumption [W] at evap. temp. -10 F | AWEF* | |
|-------------|-------------|---------|-----------------|----------------------|------------------|------------|---|-------|-------|-------|-------|--|--|-------|--------------|
| | | | | | | °F | -25 | -20 | -15 | -10 | -5 | | | | 0 |
| Single fan | OP-LJHM0150 | WH | N | 114N3508 114N3509 | NTZ048 | 90 | - | 6103 | 7084 | 8152 | 9300 | 10520 | 1569 | 1847 | 3.71 3.70 |
| | | | | | | 95 | - | - | 6653 | 7663 | 8750 | 9906 | | | |
| | | | | | | 100 | - | - | - | 7174 | 8199 | 9290 | | | |
| | | | | | | 110 | - | - | - | - | 7098 | 8058 | | | |
| | | | | | | 115 | - | - | - | - | - | 7445 | | | |
| | OP-LJHM0200 | WH | N | 114N3518 114N3511 | NTZ068 | 90 | - | 8460 | 9798 | 11200 | 12640 | 14120 | 2341 | 2668 | 3.29 3.58 |
| | | | | | | 95 | - | - | 9220 | 10550 | 11920 | 13320 | | | |
| | | | | | | 100 | - | - | - | 9905 | 11200 | 12520 | | | |
| | | | | | | 110 | - | - | - | - | 9758 | 10920 | | | |
| | | | | | | 115 | - | - | - | - | - | 10120 | | | |
| OP-LNYM0400 | WH | Q | 114N3503 | LLZ013 | 90 | - | 13370 | 15000 | 16750 | 18620 | 20620 | 3445 | 3756 | 3.5 | |
| | | | | | 95 | - | - | 14400 | 16080 | 17870 | 19780 | | | | |
| | | | | | 100 | - | - | - | 15400 | 17110 | 18940 | | | | |
| | | | | | 110 | - | - | - | - | 15550 | 17200 | | | | |
| | | | | | 115 | - | - | - | - | - | 16320 | | | | |
| Two fan | OP-LNYM0500 | WH | Q | 114N3504 | LLZ015 | 90 | - | 16540 | 18510 | 20630 | 22900 | 25320 | 4089 | 4484 | 3.65 |
| | | | | | | 95 | - | - | 17760 | 19790 | 21960 | 24290 | | | |
| | | | | | | 100 | - | - | - | 18940 | 21020 | 23240 | | | |
| | | | | | | 110 | - | - | - | - | 19090 | 21100 | | | |
| | | | | | | 115 | - | - | - | - | - | 20020 | | | |
| | OP-LRYM0600 | WH | Q | 114N3506 | LLZ018 | 90 | - | 19770 | 22140 | 24710 | 27470 | 30430 | 4975 | 5443 | 3.43 |
| | | | | | | 95 | - | - | 21300 | 23750 | 26390 | 29220 | | | |
| | | | | | | 100 | - | - | - | 22780 | 25300 | 28000 | | | |
| | | | | | | 110 | - | - | - | - | 23060 | 25500 | | | |
| | | | | | | 115 | - | - | - | - | - | 24220 | | | |
| | OP-LRYM0600 | WH | R | 114N3523 | LLZ018 | 90 | - | 19700 | 22070 | 24610 | 27350 | 30280 | 7007 | 6775 | 3.6 |
| | | | | | | 95 | - | - | 21220 | 23660 | 26270 | 29070 | | | |
| | | | | | | 100 | - | - | - | 22680 | 25180 | 27850 | | | |
| | | | | | | 110 | - | - | - | - | 22930 | 25340 | | | |
| | | | | | | 115 | - | - | - | - | - | 24060 | | | |
| | OP-LRYM0800 | WH | Q | 114N3507 | LLZ024 | 90 | - | 24420 | 27320 | 30440 | 33770 | 37320 | 5946 | 6555 | 3.44 |
| | | | | | | 95 | - | - | 26290 | 29260 | 32430 | 35810 | | | |
| | | | | | | 100 | - | - | - | 28050 | 31070 | 34270 | | | |
| | | | | | | 110 | - | - | - | - | 28230 | 31100 | | | |
| | | | | | | 115 | - | - | - | - | - | 29470 | | | |
| OP-LRYM0800 | WH | R | 114N3524 | LLZ024 | 90 | - | 24300 | 27180 | 30260 | 33540 | 37030 | 8722 | 8386 | 3.58 | |
| | | | | | 95 | - | - | 26140 | 29070 | 32200 | 35520 | | | | |
| | | | | | 100 | - | - | - | 27860 | 30830 | 33980 | | | | |
| | | | | | 110 | - | - | - | - | 27980 | 30790 | | | | |
| | | | | | 115 | - | - | - | - | - | 29140 | | | | |

Test condition

Return gas temperature 40°F
Subcooling 5°F

Electrical code

N: Compressor & fan(s) 230V, 1 ph, 60 Hz
Q: Compressor 208-230V, 3ph, 60 Hz & Fan(s) 230V, 1ph, 60 Hz
R: Compressor 420-460V, 3ph, 60 Hz & Fan(s) 460V, 1ph, 60Hz

Version

WH: Electrical box, Receiver, Dual pressure control, Fan speed controller or Fan cycling, Defrost Timer, Outdoor enclosure, Suction Accumulator (LBP)

HP rating in hundredths of HP, i.e.: 033=1/3hp, (OP-UCGC0100U:0100=1hp)
Power consumption referred at 90°F ambient temperature
Performance data is based on fan full speed

All Optyma Slim Condensing units are UL Listed

| Model no | Condenser coil | | | Condenser fan | Receiver volume [Lbs] | Dimensions (in) ⁽¹⁾ | | | | | | Weight (lbs) | | MCA (A) | Wiring diagram code ⁽²⁾ |
|-------------|----------------|----------------|-------------------|------------------|-----------------------|--------------------------------|---------------|--------------|--------------|--------------|-------------|--------------|-----|---------|------------------------------------|
| | Type | Air flow [CFM] | Int. volume [lbs] | Fan blade Ø (in) | | Figure | Height H (in) | Width W (in) | Depth D (in) | Suction line | Liquid line | Gross | Net | | |
| OP-LJHM0150 | D8 | 1410 | 0.9 | 14 | 6.5 | 1 | 19.5 | 43.5 | 13.4 | 5/8" | 3/8" | 187 | 167 | 12.8 | 119-8312 |
| | | | | | | | | | | | | | | 10 | 119-8315 |
| OP-LJHM0200 | D8 | 1410 | 0.9 | 18 | 6.5 | 1 | 19.5 | 43.5 | 13.4 | 5/8" | 3/8" | 187 | 167 | 19.8 | 119-8312 |
| | | | | | | | | | | | | | | 14.2 | 119-8315 |
| OP-LNYM0400 | J8 | 3700 | 2.8 | 18 | 17.5 | 1 | 28.2 | 47.4 | 16.5 | 7/8" | 1/2" | 295 | 266 | 24.3 | 119-8493 |
| OP-LNYM0500 | J8 | 3700 | 2.8 | 18 | 17.5 | 1 | 28.2 | 47.4 | 16.5 | 7/8" | 1/2" | 295 | 266 | 25.1 | 119-8493 |
| | | | | | | | | | | | | | | 28.9 | 119-8493 |
| OP-LRYM0600 | N8 | 5180 | 3.7 | 18 | 22 | 2 | 28.8 | 49.4 | 31.5 | 1 1/8" | 1/2" | 442 | 409 | | |
| | | | | | | | | | | | | | | 31.0 | 119-8641 |
| OP-LRYM0800 | N8 | 5180 | 3.7 | 18 | 22 | 2 | 28.8 | 49.4 | 31.5 | 1 1/8" | 1/2" | 442 | 409 | 35.9 | 119-8493 |
| | | | | | | | | | | | | | | 40.0 | 119-8641 |

⁽¹⁾ Dimensions (in) available on page 69

⁽²⁾ Wiring diagram available on pages 66
For spare parts, see pages 64

Spare Parts

| Unit | N | Q | R | Compressor | | | | | Contactor | Service valve | | | Oil |
|----------|----------|----------|----------|----------------------|------------------------|-----------------|---------------|-------------|----------------------------|---------------|-----------|----------------|----------|
| | | | | Model no | Code number | Start capacitor | Run Capacitor | Start Relay | | Suction | Discharge | Receiver valve | |
| HJZM0150 | 114N3485 | 114N3486 | | MTZ18-1 MTZ18-3 | MTZ18-1VI MTZ18-3VI | N: 119-4654 | N: 119-5617 | N: 119-5616 | 119-5640 | 119-4551 | 119-4545 | 119-4544 | 120Z0638 |
| HNXM0200 | 114N3487 | | | MLZ15T1A MLZ15T2A | 121L8709 121L8711 | N: 119-8775 | N: 119-5618 | N: 119-8780 | 119-5640 | 119-4548 | 119-4545 | 119-4545 | 120Z0648 |
| HNXM0250 | 114N3489 | 114N3490 | | MLZ19T1A MLZ19T2A | 121L8719 121L8723 | N: 119-8775 | N: 119-5618 | N: 119-8780 | 119-5640 | 119-4548 | 119-4545 | 119-4545 | 120Z0648 |
| HNXM0300 | 114N3491 | 114N3492 | | MLZ21T1A MLZ21T2A | 121L8737 121L8739 | N: 119-8775 | N: 119-5618 | N: 119-8780 | 119-5640 | 119-4548 | 119-4545 | 119-4545 | 120Z0648 |
| HNXM0350 | 114N3493 | 114N3494 | | MLZ26T1A MLZ26T2A | 121L8751 121L8753 | N: 119-4654 | N: 119-8777 | N: 119-8781 | 119-5639 | 119-4548 | 119-4551 | 119-4545 | 120Z0648 |
| HNXM0400 | 114N3495 | 114N3496 | | MLZ30T1A MLZ30T2A | 121L8763 121L8765 | N: 119-8776 | N: 119-8778 | N: 119-8781 | N: 119-5639 Q: 119-5640 | 119-4548 | 119-4551 | 119-4545 | 120Z0648 |
| HRXM0500 | 114N3497 | 114N3498 | | MLZ38T1A MLZ38T2A | 121L8775 121L8777 | N: 119-4654 | N: 119-8779 | N: 119-8782 | N: 119-4652 Q: 119-5639 | 119-4548 | 119-4551 | 119-4545 | 120Z0648 |
| HRXM0600 | | 114N3499 | 114N3519 | MLZ45T2 MLZ45T4 | 121L8797 121L8799 | --- | --- | --- | Q: 119-5639 R: 119-5640 | 119-4548 | 119-4551 | 119-4545 | 120Z0648 |
| HRXM0700 | | 114N3500 | 114N3520 | MLZ48T2 MLZ48T4 | 121L8807 121L8809 | --- | --- | --- | Q: 119-5639 R: 119-5640 | 119-4548 | 119-4546 | 119-4545 | 120Z0648 |
| HRXM0750 | | 114N3501 | 114N3521 | MLZ58T2 MLZ58T4 | 121L8817 121L8819 | --- | --- | --- | Q: 119-4652 R: 119-5639 | 119-4550 | 119-4548 | 119-4551 | 120Z0648 |
| HRXM1000 | | 114N3502 | 114N3522 | MLZ76T2 MLZ76T4 | 121L8835 121L8837 | --- | --- | --- | Q: 119-4652 R: 119-5639 | 119-4550 | 119-4548 | 119-4551 | 120Z0648 |

| Unit | Crankcase Heater | Acoustic hood | Condenser kit | Defrost Timer | Dual pressure switch | Fan kit | Fan capacitor | Fan speed controller | Filter drier | Receiver | Sight glass | Sequence phase relay | Fan Cycling | Transformer |
|----------|--------------------------|---------------|--------------------------|---------------|----------------------|-------------------------------|---------------|----------------------|--------------|----------|-------------|----------------------|-------------|-------------|
| HJZM0150 | 120Z0459 | 120Z0575 | 119-4536 | 119-4552 | 060-5253 | 119-8253E | 119-4529 | 061H3140 | 023Z5040 | 119-4531 | 014L0022 | --- | --- | --- |
| HNXM0200 | 120Z5040 | 120Z5083 | 119-4537 | 119-4552 | 060-5253 | 119-8254E | 119-4530 | 061H3140 | 023Z5041 | 119-4532 | 014L0022 | 119-4567 | --- | --- |
| HNXM0250 | 120Z5040 | 120Z5083 | 119-4537 | 119-4552 | 060-5253 | 119-8254E | 119-4530 | 061H3140 | 023Z5041 | 119-4532 | 014L0025 | 119-4567 | --- | --- |
| HNXM0300 | 120Z5040 | 120Z5083 | 119-4537 | 119-4552 | 060-5253 | 119-8254E | 119-4530 | 061H3140 | 023Z5041 | 119-4532 | 014L0025 | 119-4567 | --- | --- |
| HNXM0350 | 120Z5040 | 120Z5083 | 119-4538 | 119-4552 | 060-5253 | 119-8254E | 119-4530 | 061H3140 | 023Z5044 | 119-4533 | 014L0025 | 119-4567 | --- | --- |
| HNXM0400 | 120Z5040 | 120Z5084 | 119-4538 | 119-4552 | 060-5253 | 119-8254E | 119-4530 | 061H3140 | 023Z5044 | 119-4533 | 014L0025 | 119-4567 | --- | --- |
| HRXM0500 | 120Z5040 | 120Z5084 | 119-4539 | 119-4552 | 060-5253 | 119-8254E | 119-4530 | 061H3140 | 023Z5044 | 119-4534 | 014L0025 | 119-4567 | --- | --- |
| HRXM0600 | Q:120Z5040 R:120Z5041 | 120Z5084 | 119-4539 | 119-4552 | 060-5253 | Q: 119-8254E R: 191U137850 | Q:119-4530 | Q:061H3140 | 023Z5044 | 119-4534 | 014L0025 | 119-4567 | R: 060-5241 | 119-8687 |
| HRXM0700 | Q:120Z5040 R:120Z5041 | 120Z5084 | 119-4539 | 119-4552 | 060-5253 | Q: 119-8254E R: 191U137850 | Q:119-4530 | Q:061H3140 | 023Z5044 | 119-4534 | 014L0025 | 119-4567 | R: 060-5241 | 119-8687 |
| HRXM0750 | Q:120Z5040 R:120Z5041 | 120Z5085 | Q:119-4540 R:119-8688 | 119-4552 | 060-5253 | Q: 119-8255E R: 191U137950 | Q:119-4530 | Q:061H3140 | 023Z5045 | 119-4535 | 014L0026 | 119-4567 | R: 060-5241 | 119-8687 |
| HRXM1000 | Q:120Z5040 R:120Z5041 | 120Z5085 | Q:119-4540 R:119-8688 | 119-4552 | 060-5253 | Q: 119-8255E R: 191U137950 | Q:119-4530 | Q:061H3140 | 023Z5045 | 119-4535 | 014L0026 | 119-4567 | R: 060-5241 | 119-8687 |

*Q (208-230V, 3ph, 60 Hz) uses Fan speed controller; R (460V, 3ph, 60 Hz) uses Fan cycling

Spare Parts

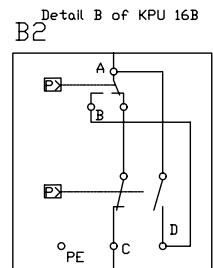
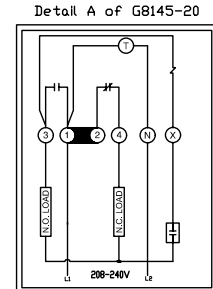
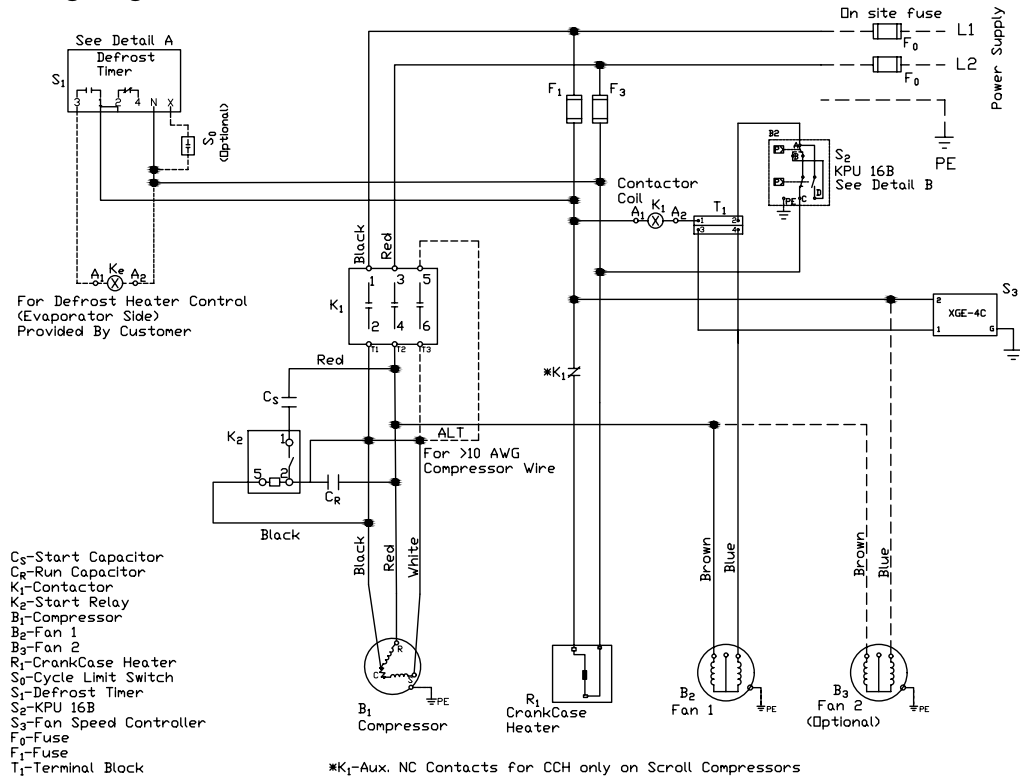
| Unit | N | Q | R | Compressor | | | | | Contactor | Service valve | | | Oil |
|-----------|----------|----------|----------|----------------------|----------------------------|-----------------|---------------|-------------|----------------------------|---------------|-----------|----------------|----------|
| | | | | Model no | Code number | Start capacitor | Run Capacitor | Start Relay | | Suction | Discharge | Receiver valve | |
| LJHM0150 | 114N3508 | 114N3509 | | NTZ048-1 NTZ048-3 | N: 120F0293 Q: 120F0279 | N: 119-4654 | N: 119-5617 | N: 119-5616 | 119-5640 | 119-4546 | 119-4545 | 119-4544 | 120Z0638 |
| LJHM0200 | 114N3518 | 114N3511 | | NTZ068-1 NTZ068-3 | N: 120F0294 Q: 120F0280 | N: 119-5636 | N: 119-8783 | N: 119-5616 | 119-5640 | 119-4546 | 119-4545 | 119-4544 | 120Z0638 |
| LN YM0400 | | 114N3503 | | LLZ013T2 | 121L9545 | ---- | ---- | ---- | 119-5640 | 119-4548 | 119-4551 | 119-4545 | 120Z0648 |
| LN YM0500 | | 114N3504 | | LLZ015T2 | 121L9547 | ---- | ---- | ---- | 119-5640 | 119-4548 | 119-4551 | 119-4545 | 120Z0648 |
| LRYM0600 | | 114N3506 | 114N3523 | LLZ018T2 LLZ018T4 | Q: 121L9549 R: 121L9539 | ---- | ---- | ---- | Q: 119-5639 R: 119-5640 | 119-4548 | 119-4551 | 119-4551 | 120Z0648 |
| LRYM0800 | | 114N3507 | 114N3524 | LLZ024T2 LLZ024T4 | Q: 121L9551 R: 121L9541 | ---- | ---- | ---- | Q: 119-5639 R: 119-5639 | 119-4550 | 119-4546 | 119-4551 | 120Z0648 |

| Unit | Crankcase Heater | Acoustic hood | Condenser kit | Defrost Timer | Dual pressure switch | Fan kit | Fan capacitor | Fan speed controller |
|-----------|----------------------------|---------------|---------------|---------------|----------------------|-------------------------------|---------------|----------------------|
| LJHM0150 | 120Z0459 | 120Z0575 | 119-4536 | 119-4552 | 060-5253 | 119-8253E | 119-4529 | 061H3140 |
| LJHM0200 | 120Z0459 | 120Z0575 | 119-4536 | 119-4552 | 060-5253 | 119-8254E | 119-4529 | 061H3140 |
| LN YM0400 | 120Z5040 | 120Z5052 | 119-4538 | 119-4552 | 060-5253 | 119-8254E | 119-4530 | 061H3140 |
| LN YM0500 | 120Z5040 | 120Z5052 | 119-4538 | 119-4552 | 060-5253 | 119-8254E | 119-4530 | 061H3140 |
| LRYM0600 | Q: 120Z5040 R: 120Z5041 | 120Z5052 | 119-4539 | 119-4552 | 060-5253 | Q: 119-8254E R: 191U137850 | Q: 119-4530 | Q: 061H3140 |
| LRYM0800 | Q: 120Z5040 R: 120Z5041 | 120Z5053 | 119-4539 | 119-4552 | 060-5253 | Q: 119-8254E R: 191U137850 | Q: 119-4530 | Q: 061H3140 |

| Unit | Filter drier | Receiver | Sight glass | Liquid Injection Valve | Liquid Injection Coil | Sequence phase relay | Fan Cycling | Transformer |
|-----------|--------------|----------|-------------|------------------------|-----------------------|----------------------|-------------|-------------|
| LJHM0150 | 023Z5040 | 119-4531 | 014L0022 | ---- | ---- | ---- | ---- | ---- |
| LJHM0200 | 023Z5040 | 119-4531 | 014L0022 | ---- | ---- | ---- | ---- | ---- |
| LN YM0400 | 023Z5044 | 119-4533 | 014L0025 | 068F5211 | 018F4135 | 119-4567 | ---- | ---- |
| LN YM0500 | 023Z5044 | 119-4533 | 014L0025 | 068F5211 | 018F4135 | 119-4567 | ---- | ---- |
| LRYM0600 | 023Z5045 | 119-4535 | 014L0025 | 068F5212 | 018F4135 | 119-4567 | R: 060-5241 | 119-8687 |
| LRYM0800 | 023Z5045 | 119-4535 | 014L0025 | 068F5212 | 018F4135 | 119-4567 | R: 060-5241 | 119-8687 |

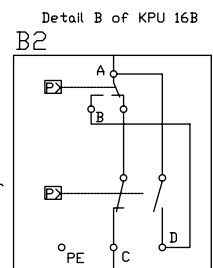
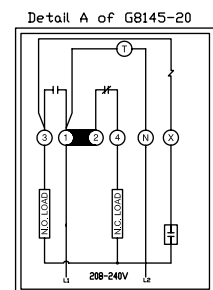
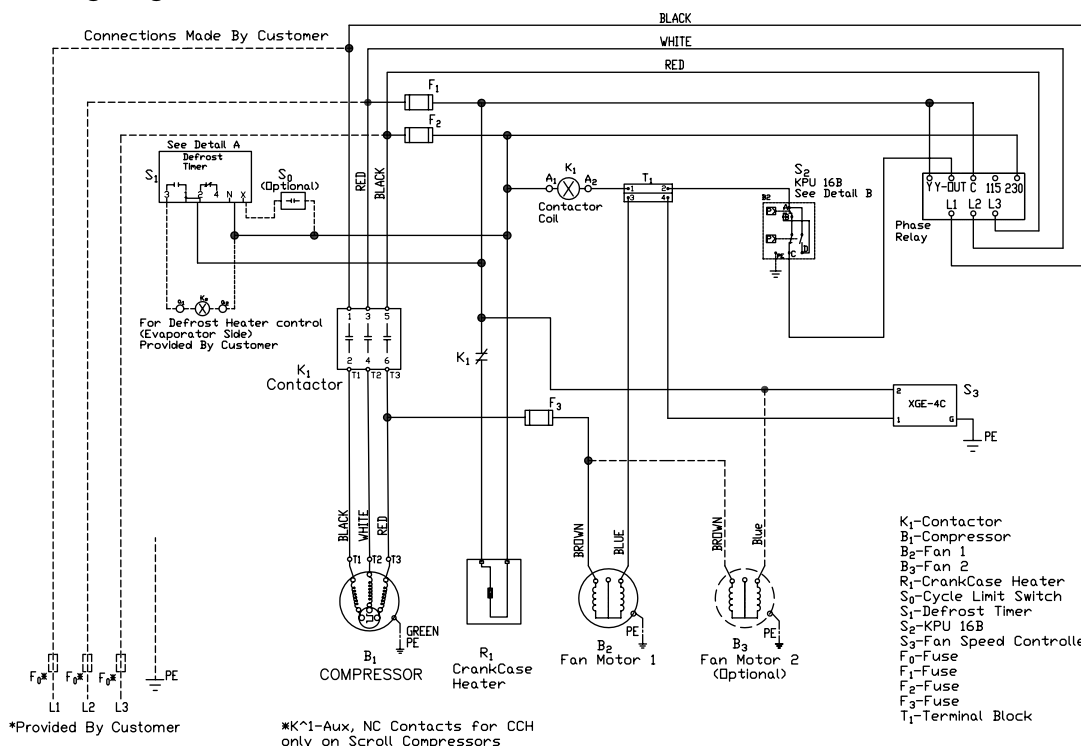
Wiring Diagram 119-8312

119-8312
230V 1Ph 60Hz

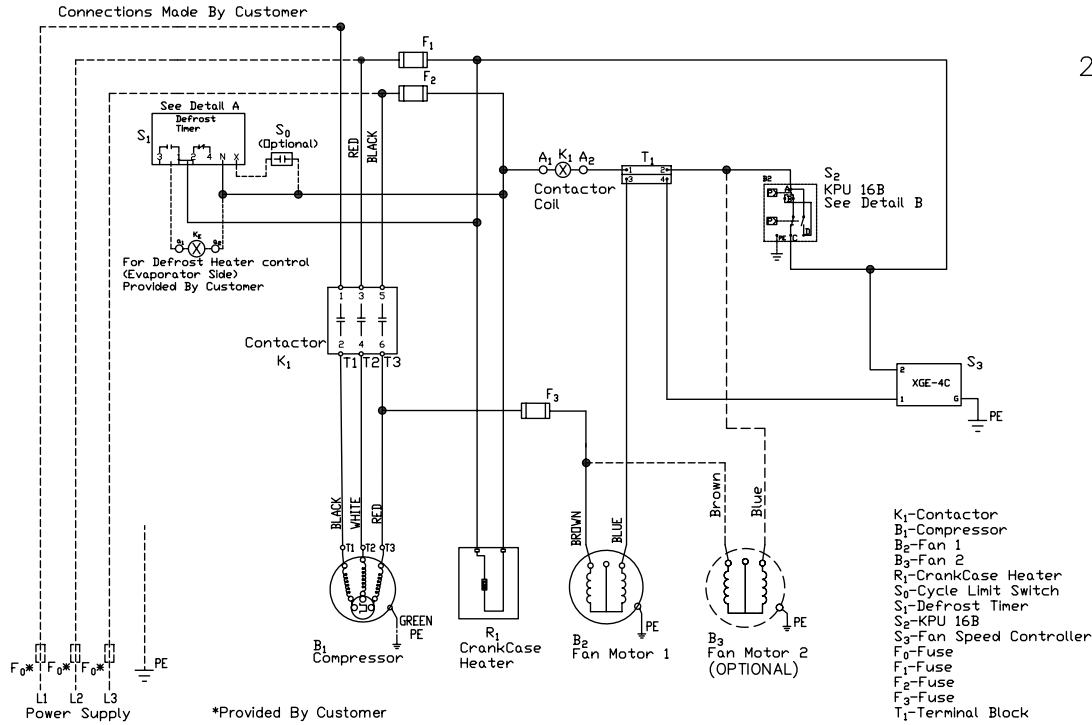


Wiring Diagram 119-8313

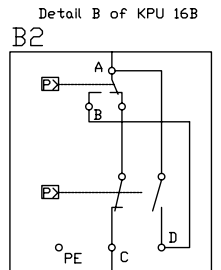
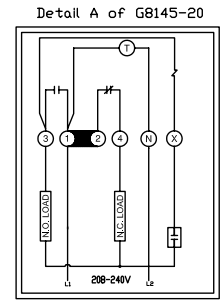
119-8313
220V 3PH 60Hz



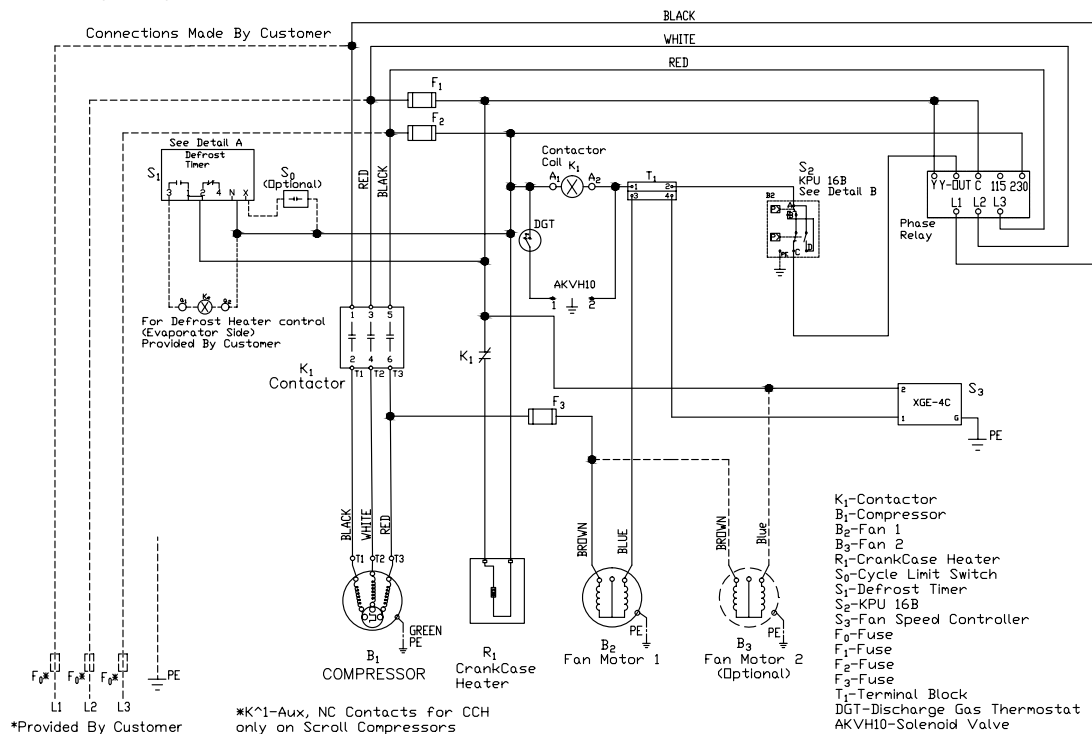
Wiring Diagram 119-8315



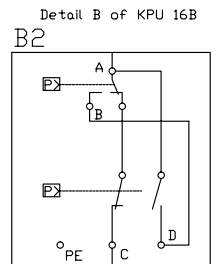
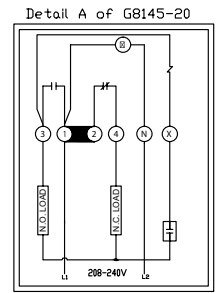
119-8315
220V 3PH 60Hz



Wiring Diagram 119-8493

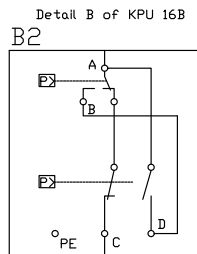
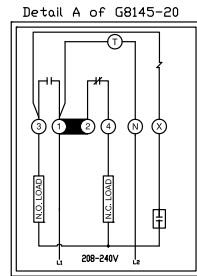
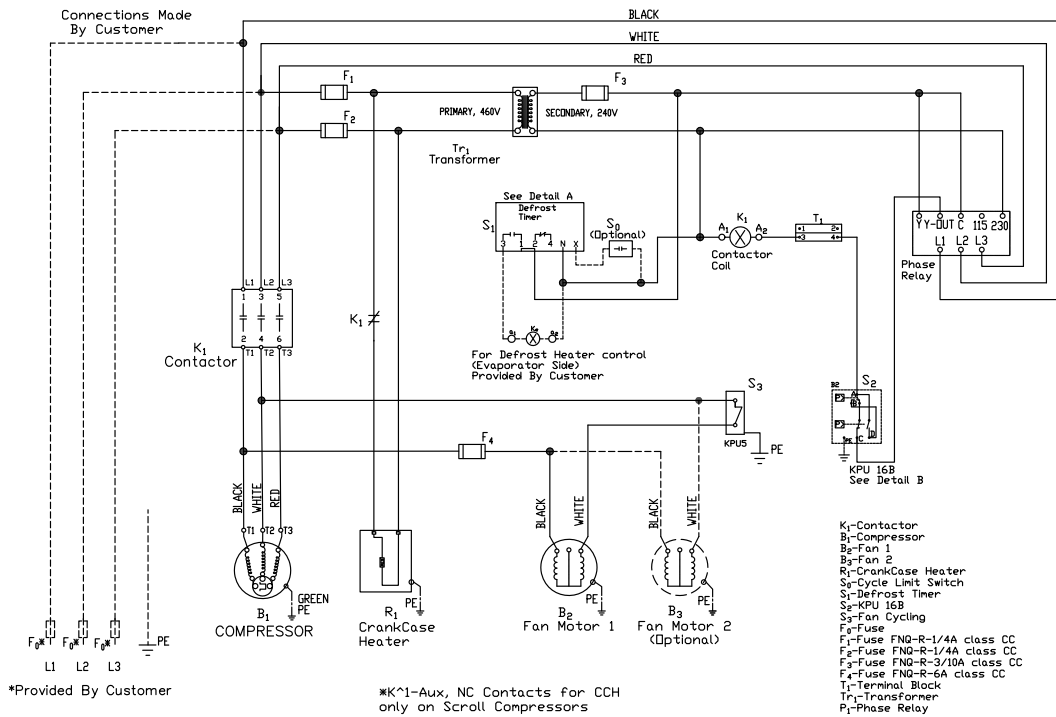


119-8493
230V 3PH 60Hz



Wiring Diagram 119-8640

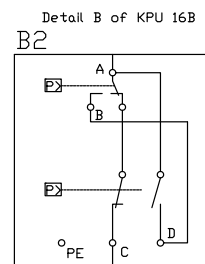
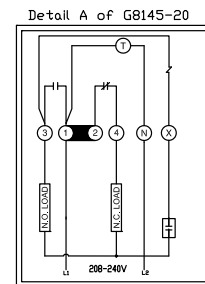
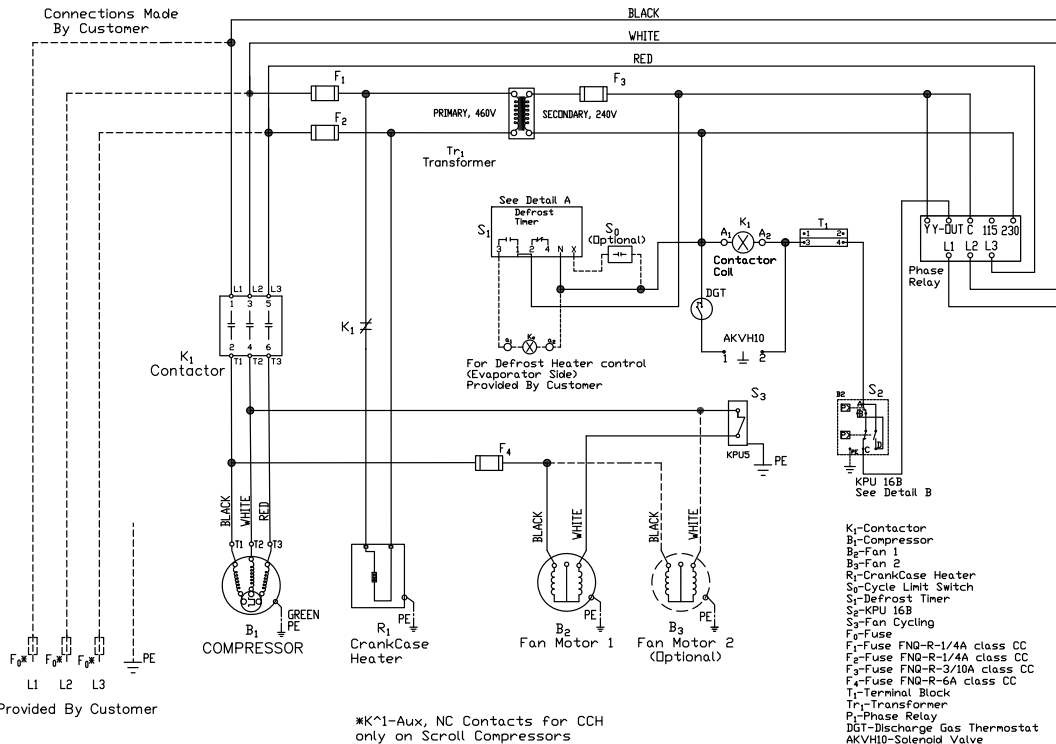
119-8640
460V 3PH 60Hz



- K₁-Contactor
- B₁-Compressor
- B₂-Fan 1
- B₃-Fan 2
- R₁-CrankCase Heater
- S₁-Cycle Limit Switch
- S₁-Defrost Timer
- S₂-KPU 16B
- S₃-Fan Cycling
- F₁-Fuse FNO-R-1/4A class CC
- F₂-Fuse FNO-R-1/4A class CC
- F₃-Fuse FNO-R-3/10A class CC
- F₄-Fuse FNO-R-6A class CC
- T₁-Terminal Block
- Tr₁-Transformer
- P₁-Phase Relay

Wiring Diagram 119-8641

119-8641
460V 3PH 60Hz



- K₁-Contactor
- B₁-Compressor
- B₂-Fan 1
- B₃-Fan 2
- R₁-CrankCase Heater
- S₁-Cycle Limit Switch
- S₁-Defrost Timer
- S₂-KPU 16B
- S₃-Fan Cycling
- F₁-Fuse
- F₂-Fuse FNO-R-1/4A class CC
- F₃-Fuse FNO-R-3/10A class CC
- F₄-Fuse FNO-R-6A class CC
- T₁-Terminal Block
- Tr₁-Transformer
- P₁-Phase Relay
- DGT-Discharge Gas Thermostat
- AKVH10-Solenoid Valve

Figure 1

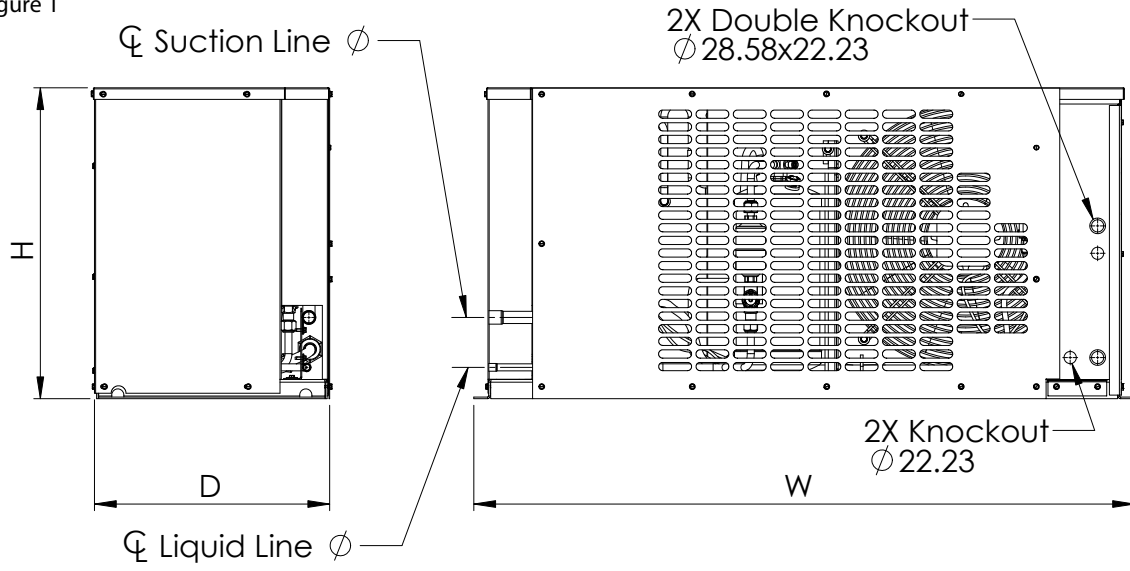
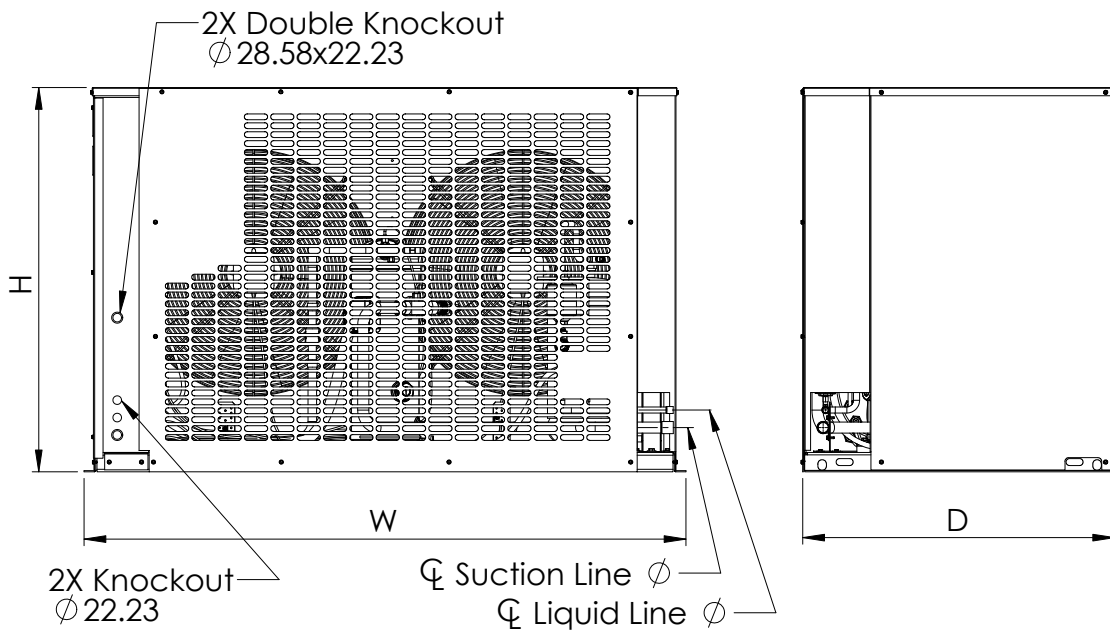


Figure 2



Danfoss Commercial Compressors

is a worldwide manufacturer of compressors and condensing units for refrigeration and HVAC applications. With a wide range of high quality and innovative products we help your company to find the best possible energy efficient solution that respects the environment and reduces total life cycle costs.

We have 40 years of experience within the development of hermetic compressors which has brought us amongst the global leaders in our business, and positioned us as distinct variable speed technology specialists. Today we operate from engineering and manufacturing facilities spanning across three continents.



Our products can be found in a variety of applications such as rooftops, chillers, residential air conditioners, heatpumps, coldrooms, supermarkets, milk tank cooling and industrial cooling processes.

Danfoss A/S
Climate Solutions • danfoss.us • +1 888 326 3677 • heating.cs.na@danfoss.com



Any information, including, but not limited to information on selection of product, its application or use, product design, weight, dimensions, capacity or any other technical data in product manuals, catalogues descriptions, advertisements, etc. and whether made available in writing, orally, electronically, online or via download, shall be considered informative, and is only binding if and to the extent, explicit reference is made in a quotation or order confirmation. Danfoss cannot accept any responsibility for possible errors in catalogues, brochures, videos and other material. Danfoss reserves the right to alter its products without notice. This also applies to products ordered but not delivered provided that such alterations can be made without changes to form, fit or function of the product.
All trademarks in this material are property of Danfoss A/S or Danfoss group companies. Danfoss and the Danfoss logo are trademarks of Danfoss A/S. All rights reserved.