

IP21/Type 1 Conversion Kit for MA01c/MA02c/ MA01a/MA02a/MA03a

iC2-Micro Frequency Converters

1 Overview

1.1 Description

This installation guide explains how to install the IP21/Type 1 conversion kit for enclosure sizes MA01c, MA02c, MA01a, MA02a, and MA03a of iC2-Micro Frequency Converters.

1.2 Kit Numbers

Use these instructions with the following kits.

Table 1: Kit Numbers for IP21/Type 1 Conversion Kit

Kit number	Kit description
132G0188	IP21/Type 1 conversion kit, MA01c
132G0189	IP21/Type 1 conversion kit, MA02c
132G0190	IP21/Type 1 conversion kit, MA01a
132G0191	IP21/Type 1 conversion kit, MA02a
132G0192	IP21/Type 1 conversion kit, MA03a

1.3 Items Supplied

The following parts are contained in the kit.

Table 2: Items Supplied in IP21/Type 1 Conversion Kits

Item	Quantity
Top cover	1
Metal plate	1
Rubber grommet	4–5 (depends on enclosure size)
Bottom cover	1
U-terminal	2–3 (depends on enclosure size)
M4x10 screw	3–4 (depends on enclosure size)

1.4 Safety Information

Only qualified personnel are allowed to install the IP21/Type 1 conversion kit described in this installation guide.

For important information about safety precautions for installation, refer to the drive's operating guide.

⚠ WARNING ⚠

DISCHARGE TIME

The drive contains DC-link capacitors, which can remain charged even when the drive is not powered. High voltage can be present even when the warning indicator lights are off.

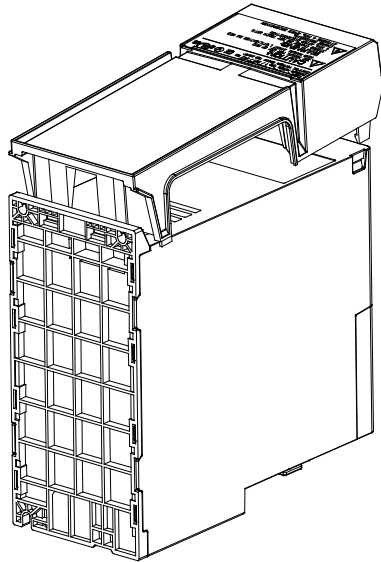
- Stop the motor, disconnect AC mains and permanent magnet type motors, and remove DC-link supplies, including battery back-ups, UPS, and DC-link connections to other drives.
- Wait for the capacitors to discharge fully and measure it before performing any service or repair work.
- The minimum waiting time is 4 minutes for MA01c, MA02c, MA01a, MA02a, and MA03a drives.

2 Installation

2.1 Mounting the IP21/Type 1 Conversion Kit

Procedure

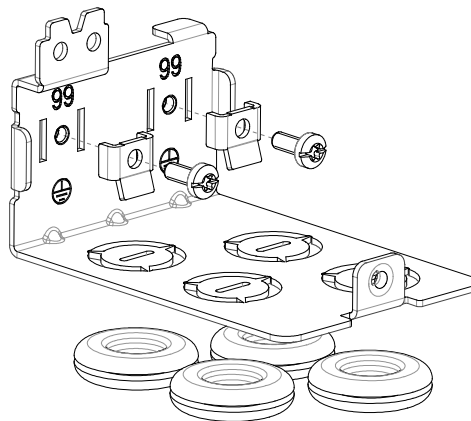
1. Fit top cover on the drive, see [Illustration 1](#).



e30bv060.10

Illustration 1: Fitting Top Cover

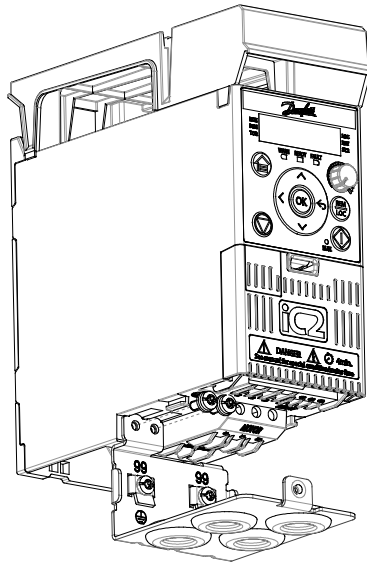
2. Mount U-terminals on the metal plate and tighten screws, see [Illustration 2](#). Maximum tightening torque: 2 Nm (17.7 in-lb).
3. Remove knockouts on the metal plate and fit rubber grommets, see [Illustration 2](#).



e30bv061.10

Illustration 2: Mounting U-terminals and Fitting Rubber Grommets

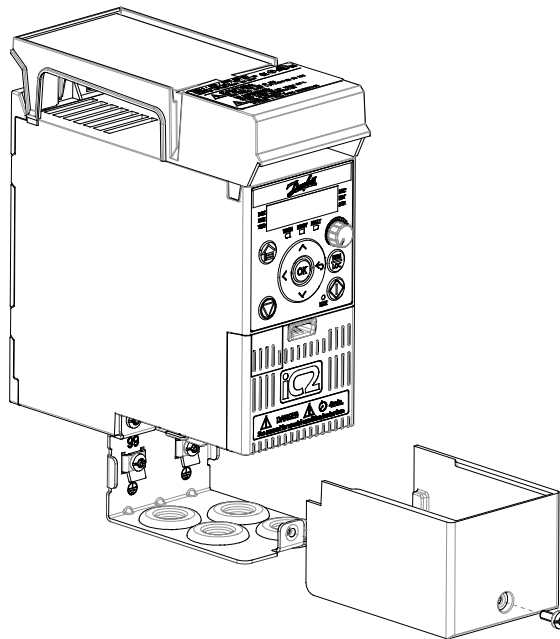
4. Mount metal plate on the drive and tighten screws, see [Illustration 3](#). Maximum tightening torque: 2 Nm (17.7 in-lb).



e30bv062.10

Illustration 3: Mounting Metal Plate

5. Fit bottom cover on the drive and tighten screw, see [Illustration 4](#). Maximum tightening torque: 1.5 Nm (13.3 in-lb).



e30bv063.10

Illustration 4: Fitting Bottom Cover

Danfoss A/S
Ulsnaes 1
DK-6300 Graasten
drives.danfoss.com

.....
Danfoss can accept no responsibility for possible errors in catalogs, brochures, and other printed material. Danfoss reserves the right to alter its products without notice. This also applies to products already on order provided that such alterations can be made without subsequential changes being necessary in specifications already agreed. All trademarks in this material are property of the respective companies. Danfoss and the Danfoss logotype are trademarks of Danfoss A/S. All rights reserved.
.....

