

1. VACON 100 X - CONTROL KEYPAD

1.1 MOUNTING INSTRUCTIONS

Document code: DPD00979A

1.1.1 MOUNTING ONTO THE DRIVE

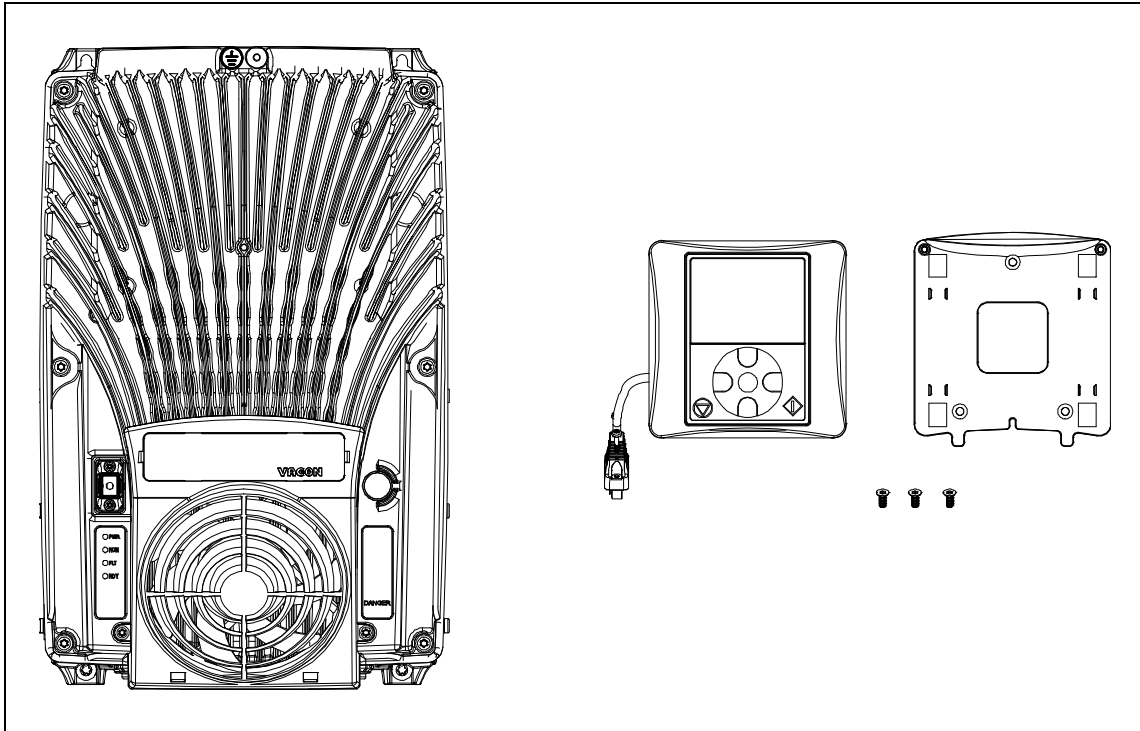


Figure 1. Drive and the optional keypad kit. The optional keypad kit includes: keypad and cable, plastic keypad holder and three fixing screws. One screw is to fix the keypad on the drive, three screws are to fix the keypad to a wall.

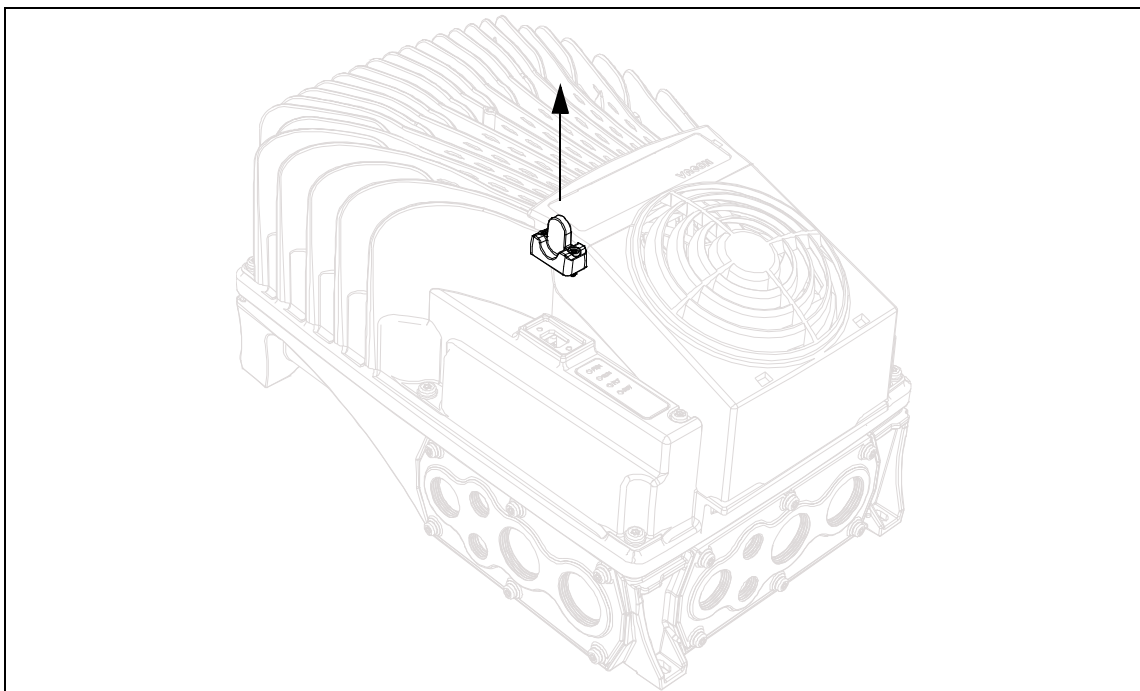


Figure 2. Disconnection of the HMI cap from the drive.

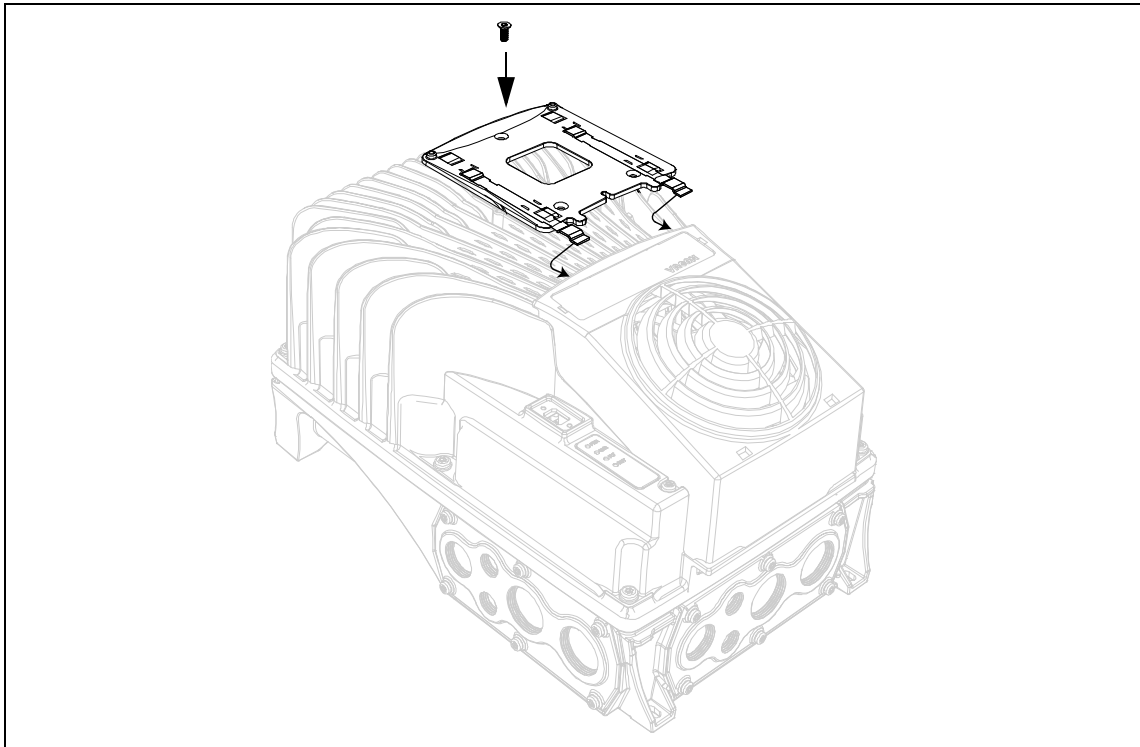


Figure 3. Installation of the keypad holder on the powerhead. The metal sheets of the keypad holder have to be mounted under the fan holder as shown in Figures 3 and 4.

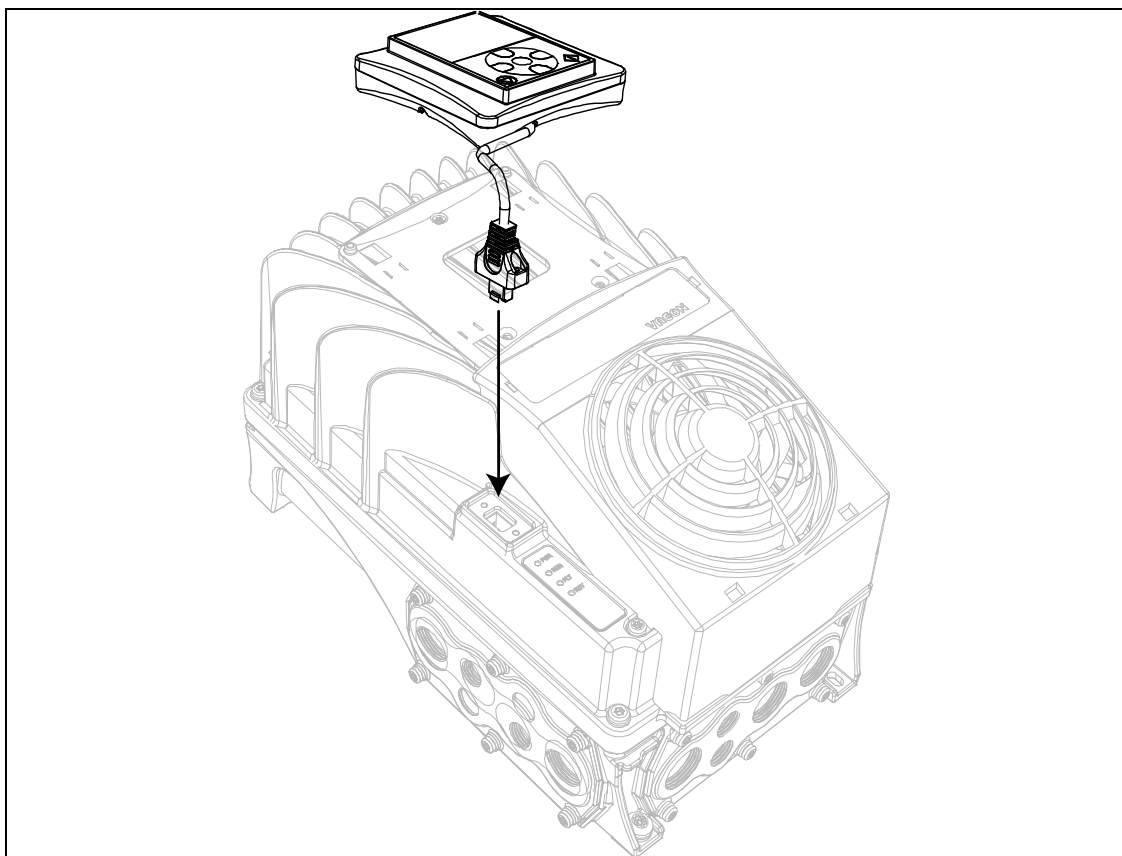


Figure 4. Mounting of the keypad.

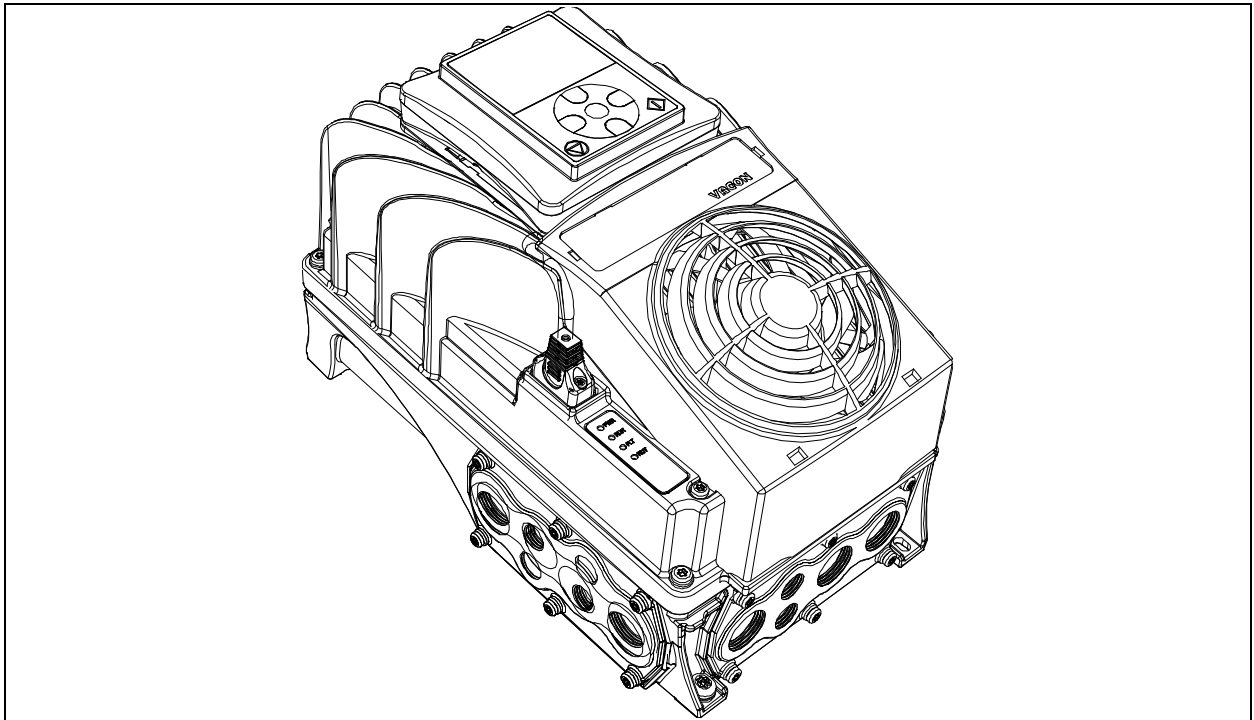


Figure 5. Keypad mounted onto the drive. Tighten the fixing screws of the cable connector to the enclosure of the drive. This is to keep the high IP66 protection degree of the drive.

1.1.2 WALL-MOUNTING

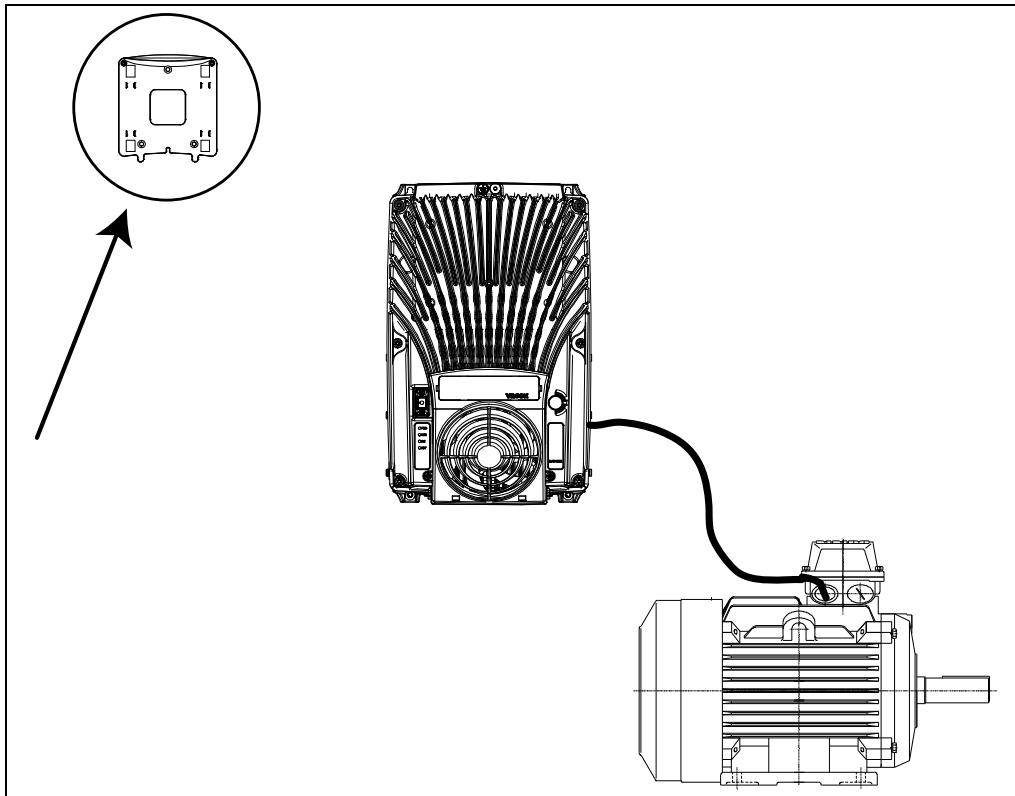


Figure 6. Fix the keypad holder with three screws to the wall.

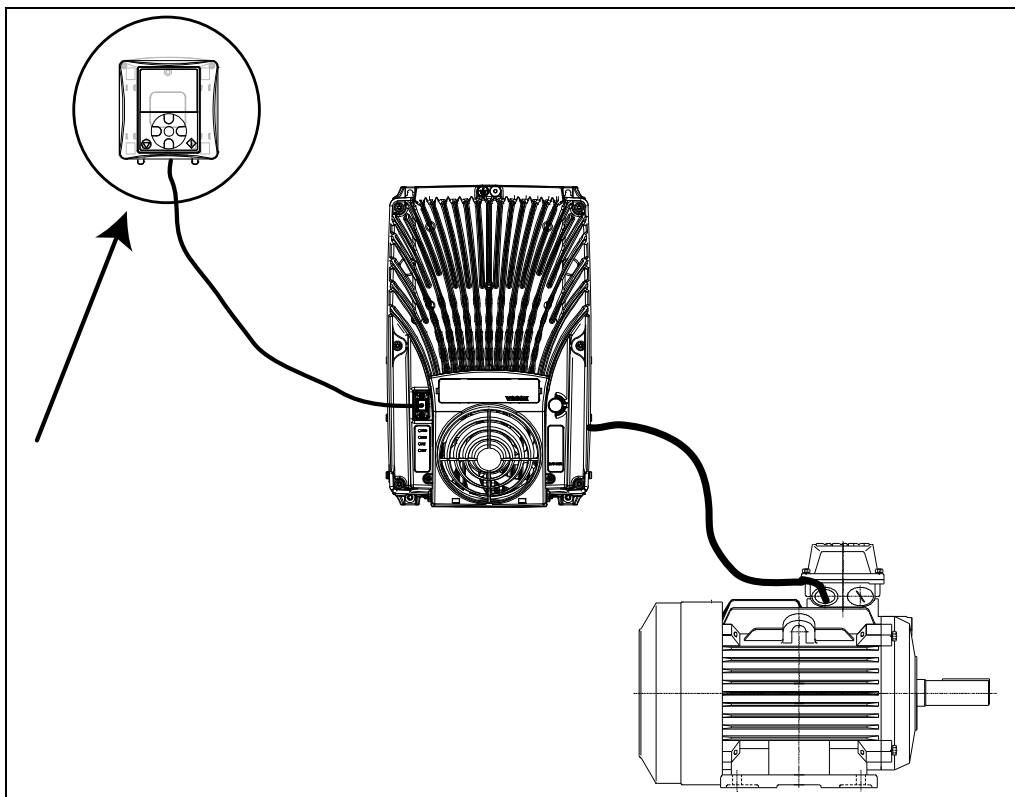


Figure 7. Connect and fix the cable to the enclosure of the drive and hold the keypad to the wall.