

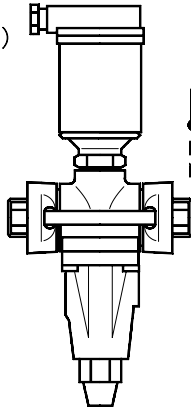


027R9503



R11DH452

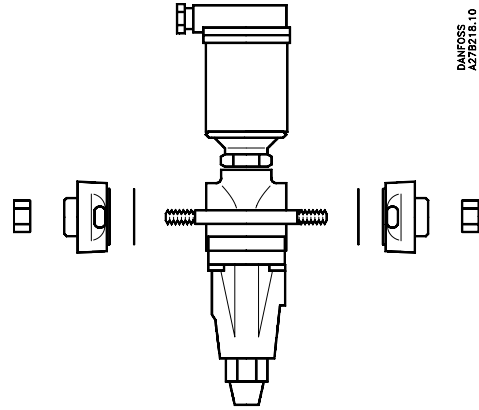
IP55  
(IEC529)



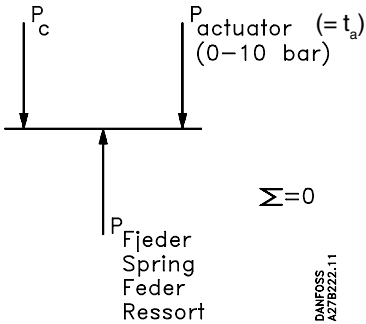
DANFOSS  
A27B21.11

$-30^{\circ}\text{C}$   
 $+50^{\circ}\text{C}$   
 PB=22 bar  
 MWP=320 psig

R22  
 R134a  
 R404A  
 R717 (NH<sub>3</sub>)

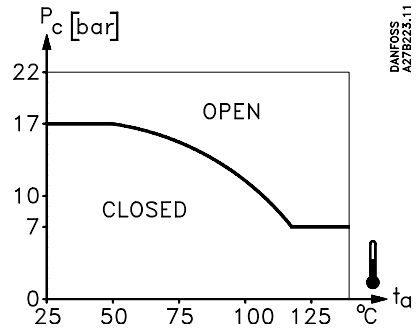


DANFOSS  
A27B21.10

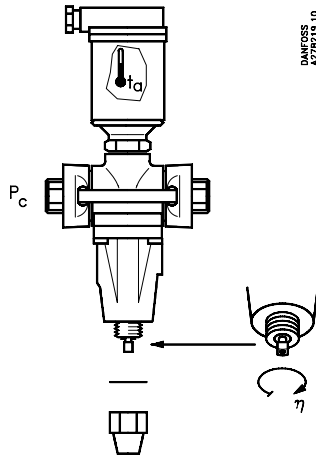


DANFOSS  
A27B22.11

Fabriksindstilling / Factory setting  
 Werkseinstellung / Réglage en usine



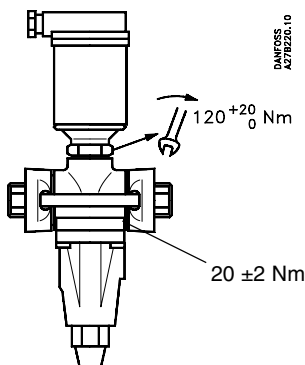
DANFOSS  
A27B23.11



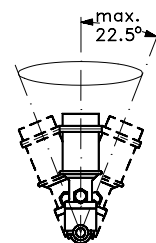
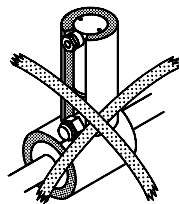
DANFOSS  
A27B23.10

$P_c$ [bar]	$1 \eta = 1 \times 360^{\circ} = \text{ca. } 2 \text{ bar}$
-1 → 9	X
7 → 17	X
12 → 22	X

DANFOSS  
A27B24.11



DANFOSS  
A27B25.10



DANFOSS  
A6BF30.10