

VACON® NX LCL Filter

Lifting Instructions

1 Lifting Instructions

1.1 Safety

The purpose of this guide is to provide simple instructions for lifting the LCL filter safely and without damaging the device. Read these instructions before lifting the device.

NOTICE

LIFTING HEAVY LOAD

Not following the safe lifting instructions can result in death or serious injury and damage to the equipment.

- Do not walk under, or place any part of your body under suspended loads.
- Use lifting devices that are appropriate for the weight of the unit. See the weights of the filter units in the VACON® NX Active Front End User Manual.
- Use the recommended lifting method.
- Before lifting the product, check its center of gravity.

1.2 Lifting Instructions

Before lifting the LCL filter out of the package, check that the device is not damaged.

Procedure

1. Attach the lifting hooks at the top of the filter. The maximum allowed lifting angle is 45°.

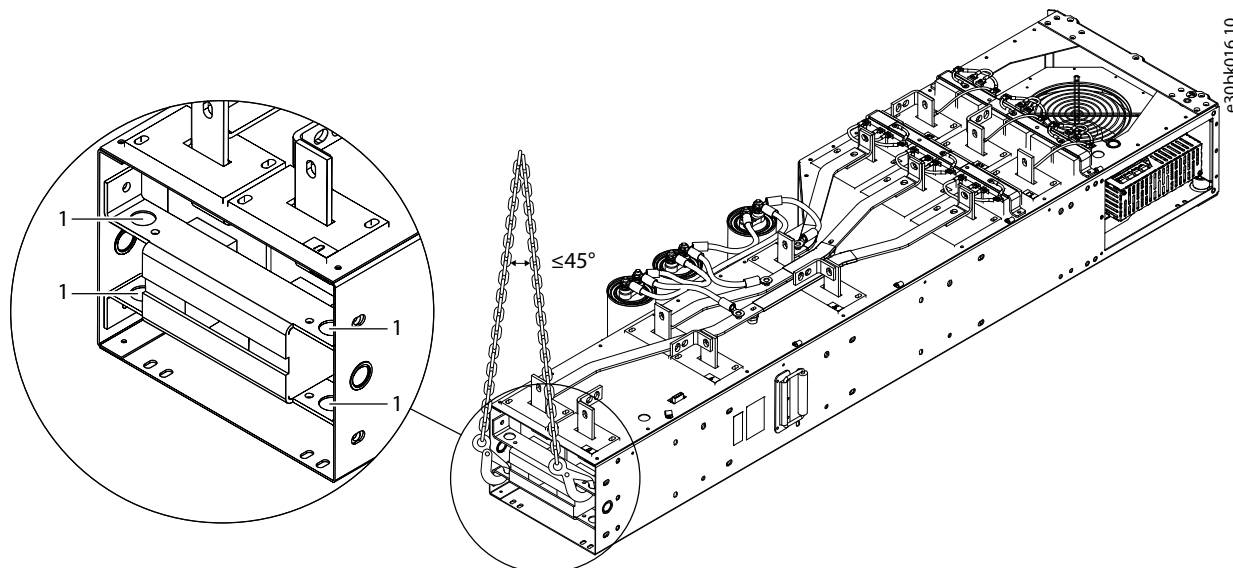


Illustration 1: Lifting Locations on the VACON® NX LCL Filter 170-460 A

1	Lifting location
---	------------------

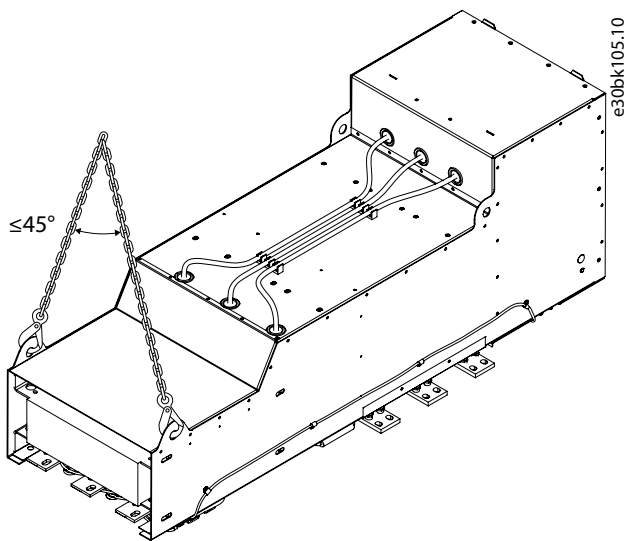


Illustration 2: Lifting Locations on the VACON® NX LCL Filter 1030–1300 A

2. Make sure that the lifting chain is perpendicular to the ground during lifting.

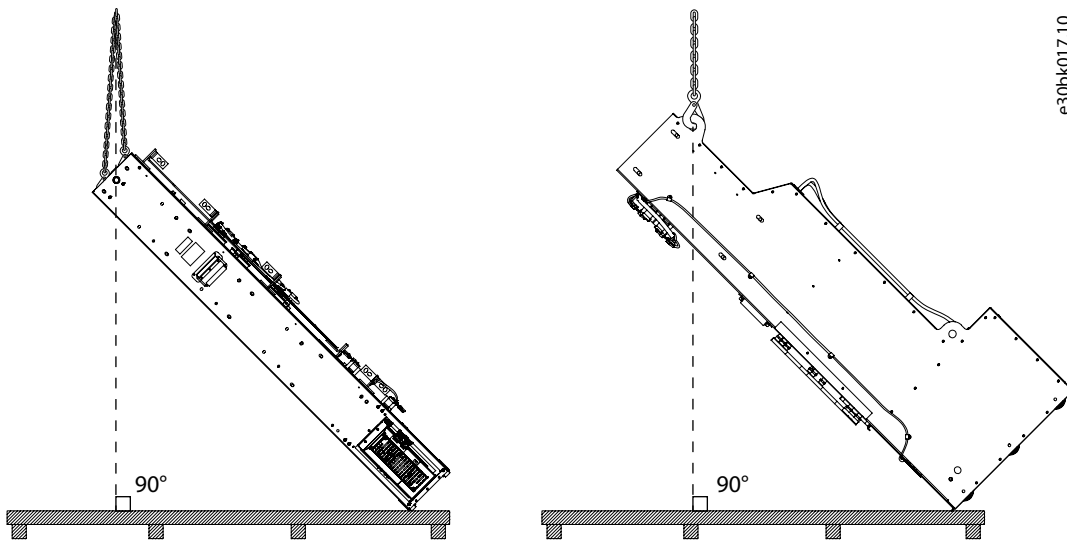


Illustration 3: Lifting Chain Position During Lifting

3. Slowly lift the LCL filter to an upright position and out of the package.
4. In the upright position, move the LCL filter to the correct location. Either lift the LCL filter with the lifting device, or push it on the wheels at the bottom of the filter.

**Vacon Ltd, Member of the
Danfoss Group**
Runsorintie 7
FIN-65380 Vaasa
www.danfoss.com

Danfoss can accept no responsibility for possible errors in catalogs, brochures and other printed material. Danfoss reserves the right to alter its products without notice. This also applies to products already on order provided that such alterations can be made without consequential changes being necessary in specifications already agreed. All trademarks in this material are property of the respective companies. Danfoss and the Danfoss logotype are trademarks of Danfoss A/S. All rights reserved.

