

# Remote VLT® Control Panel LCP 601 and Mounting Kit

## VLT® Soft Starter MCD 600

### 1 Overview

#### 1.1 Description

The remote VLT® Control Panel LCP 601 can be mounted up to 3 m (9.8 ft) away from the soft starter. The LCP is rated IP65 when mounted correctly in accordance with these instructions.

The LCP connects to the soft starter via the DB9 connector on a hardware expansion card. A hardware expansion card must be installed to use the remote LCP with the soft starter. Separate kits are available with a dedicated LCP connector expansion card, or with no expansion card for applications already using another smart card.

#### 1.2 Parts List

| Item   | Quantity |
|--|----------|
| Remote VLT® Control Panel LCP 601            | 1        |
| LCP connector expansion card (selected kits) | 1        |
| Cable, DB9                                   | 1        |
| Gasket, foam                                 | 1        |
| Installation guide                           | 1        |
| M3 x 16 screw                                | 4        |
| M3 flat washer                               | 4        |
| M3 spring washer                             | 4        |
| M3 nut                                       | 4        |
| Jack screw                                   | 4        |

Table 1: Ordering Numbers

| Kit  | Ordering number |
|--|-----------------|
| Remote VLT® Control Panel LCP 601 and Mounting Kit | 175G0134        |

## 2 Installation

### 2.1 Installing the Expansion Card

Context:

#### ⚠ WARNING ⚠

##### SHOCK HAZARD

The soft starter contains dangerous voltages when connected to mains voltage. Attaching or removing accessories when the soft starter is connected to mains may cause death or serious injury.

- Isolate the soft starter from mains voltage before attaching or removing accessories.

#### ⚠ CAUTION ⚠

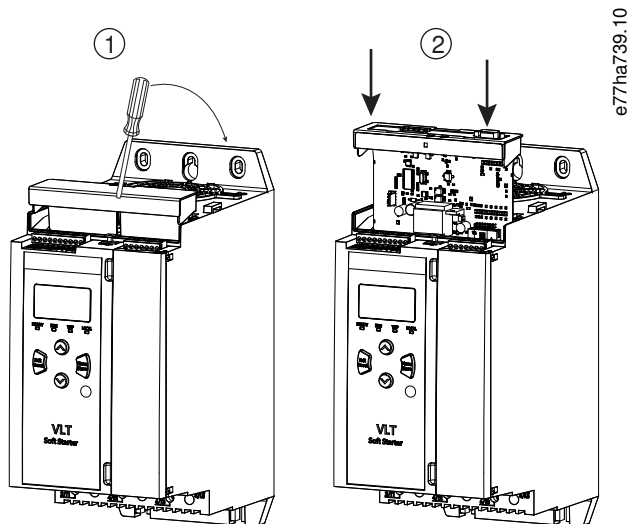
##### RISK OF INJURY AND EQUIPMENT DAMAGE

Inserting foreign objects or touching the inside the soft starter while the expansion port cover is open may endanger personnel, and can damage the soft starter.

- Be careful when installing the expansion cards and make sure not to touch the inside the soft starter.

#### Procedure

1. Push a small flat-bladed screwdriver into the slot in the center of the expansion port cover and ease the cover away from the soft starter.
2. Line up the card with the expansion port. Gently push the card along the guide rails until it clicks into the soft starter.



## 2.2 Installing the Remote VLT® Control Panel LCP 601

Context:

### ⚠ NOTICE ⚠

The remote VLT® Control Panel LCP 601 can be safely connected or removed while the soft starter is running. It is not necessary to remove mains or control voltage.

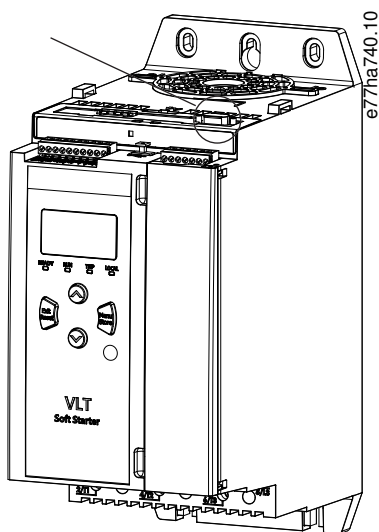
#### Procedure

1. Measure and drill 4 holes for the mounting screws and 2 holes for the DB9 connector, see [2.4 Mounting Diagram](#).
2. Apply the foam gasket to the back of the LCP.
3. Align the LCP over the holes and screw in place. Tighten the screws so that the foam gasket is compressed to half its original thickness (torque approximately 1 Nm (8.8 in-lb)).

### ⚠ NOTICE ⚠

If the screws are too long, the gasket does not provide IP65 protection. Overtightening the screws can damage the LCP, gasket, or panel.

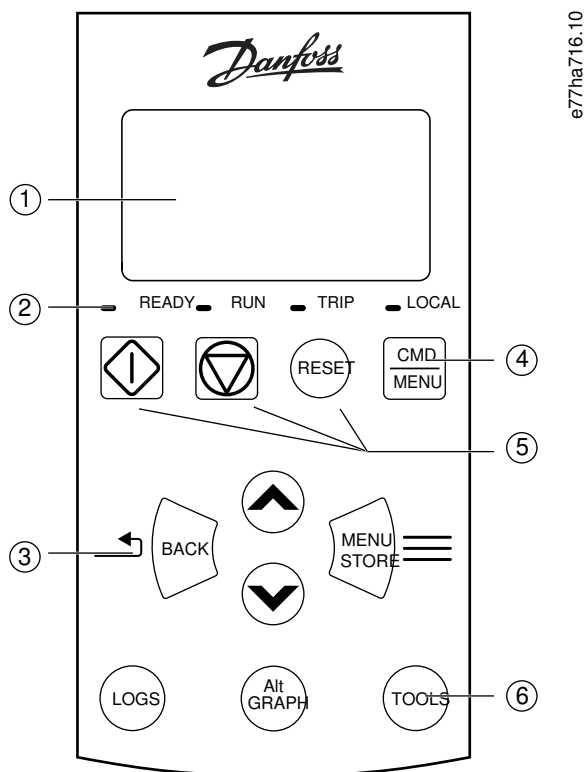
4. Plug the cable into the LCP and the soft starter.



5. Press the faceplate onto the front of the LCP.

## 2.3 Control via the Remote VLT® Control Panel LCP 601

The soft starter only accepts start and reset commands from the remote VLT® Control Panel LCP 601 if *parameter 1A Command Source* is set to *Remote Keypad*.



e77ha716.10

|   |  |  |  |  |
|---|--|--|--|--|
| <p>1 Four-line display for status and programming details.</p>  | <p>2 Status LEDs.</p>  |  |  |  |
| <p>3 Menu navigation keys:</p> <p>Back: Exit the menu or parameter, or cancel a parameter change.</p> <p>Menu/Store: Enter a menu or parameter, or save a parameter change.</p> <p>Arrow keys: Scroll to the next or previous menu or parameter, change the setting of the current parameter, or scroll through the status screens.</p> | <p>4 Shortcut to the command source menu in <i>Set-up Tools</i>.</p>   |  |  |  |
| <p>5 Local control keys.</p>  | <p>6 Shortcut keys for quick access to common tasks:</p> <p>Logs: Open the Logs Menu.</p> <p>Graph: Select which graph to view, or pause/restart the graph (hold longer than 0.5 s).</p> <p>Tools: Open the <i>Set-up Tools</i>.</p> |  |  |  |

Illustration 1: Remote LCP

**⚠ NOTICE ⚠**

If the commissioning menu is open on the built-in LCP, the soft starter ignores all commands from the remote LCP except stop commands.

**⚠ NOTICE ⚠**

The remote LCP can be safely connected or removed while the soft starter is running. It is not necessary to remove mains or control voltage.

**⚠ NOTICE ⚠**

If *parameter 1A Command Source* is set to *Remote LCP*, removing the remote LCP causes a trip.

## 2.4 Mounting Diagram

Drill 4 mounting holes for screws (1 in each corner) and 2 holes for the DB9 connector.

**⚠ NOTICE ⚠**

The image is not to scale. Dimensions are given with the faceplate removed.

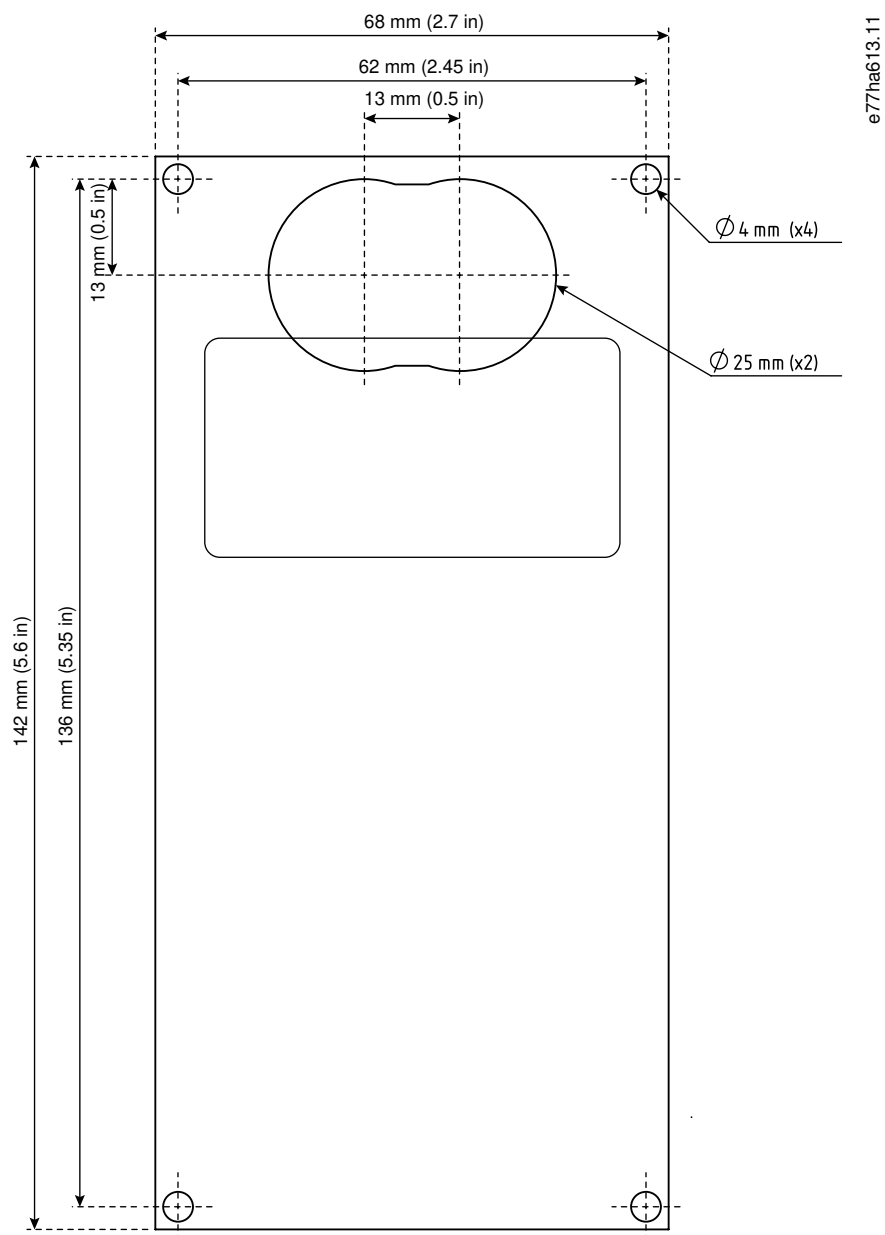
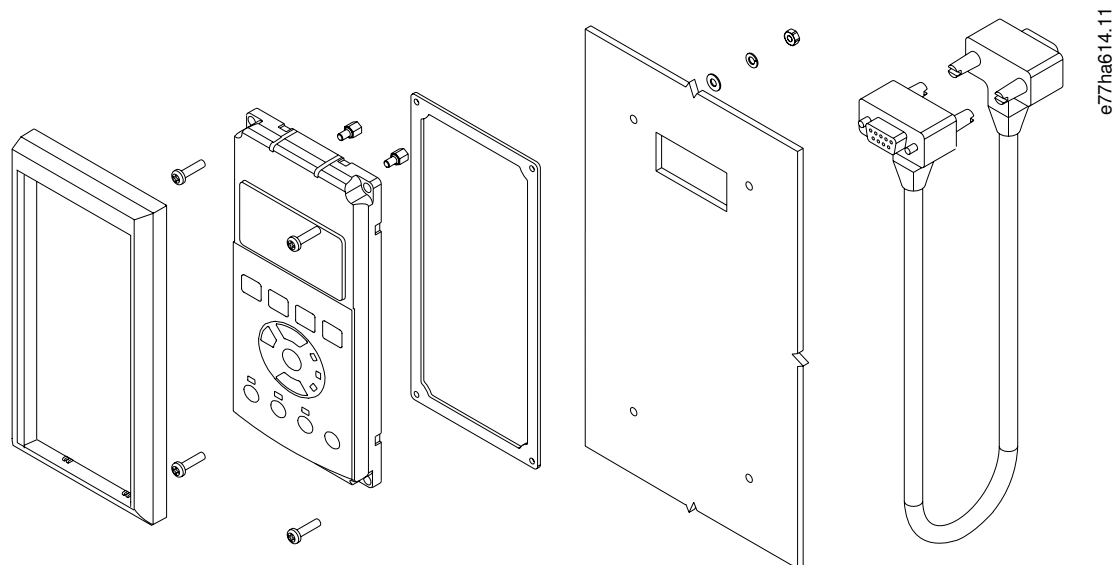


Illustration 2: Drilling Template



e77ha614.11

|                              |               |
|------------------------------|---------------|
| 1 Faceplate                  | 2 Screw       |
| 3 Jack screw                 | 4 Flat washer |
| 5 Spring washer              | 6 Nut         |
| 7 VLT® Control Panel LCP 601 | 8 Gasket      |
| 9 Panel                      | 10 Cable      |

Illustration 3: Exploded View

.....  
Danfoss can accept no responsibility for possible errors in catalogues, brochures and other printed material. Danfoss reserves the right to alter its products without notice. This also applies to products already on order provided that such alterations can be made without subsequential changes being necessary in specifications already agreed. All trademarks in this material are property of the respective companies. Danfoss and the Danfoss logotype are trademarks of Danfoss A/S. All rights reserved.  
.....

Danfoss A/S  
Ulsnaes 1  
DK-6300 Graasten  
vlt-drives.danfoss.com

