

1. VACON 20 X - CONTROL KEYPAD

1.1 MOUNTING INSTRUCTIONS

Document code: DPD00985A

1.1.1 MOUNTING ONTO THE DRIVE

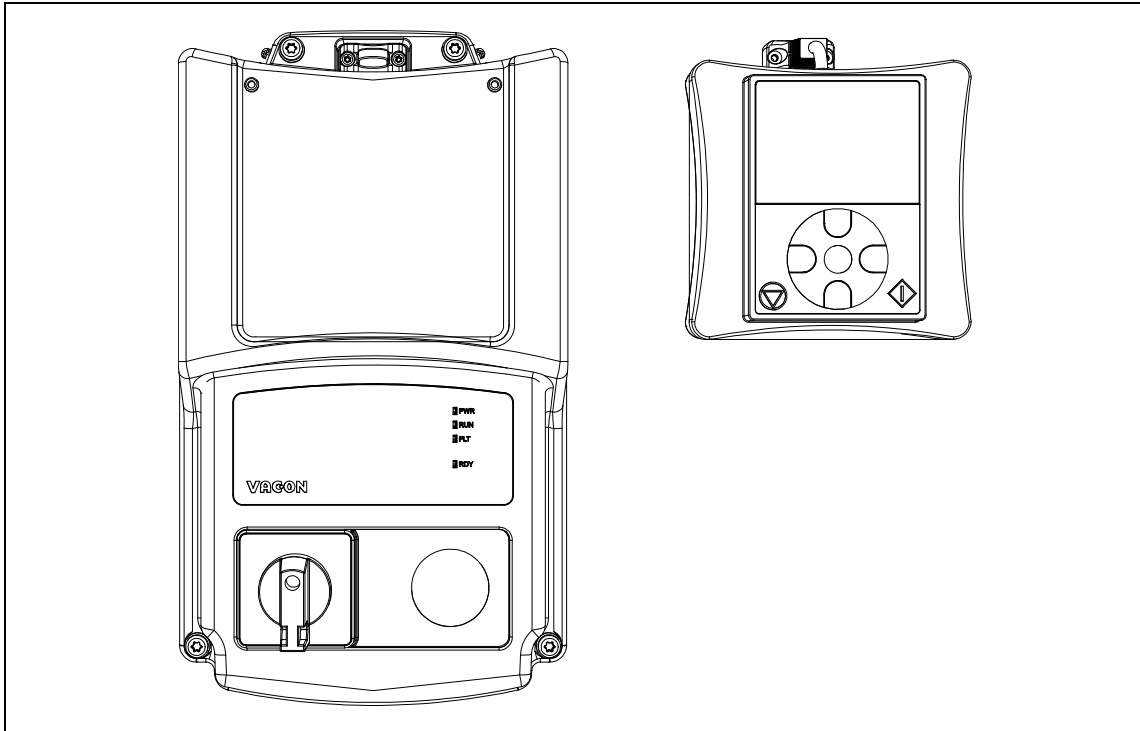


Figure 1. Drive and the optional keypad kit. The optional keypad kit includes: keypad and cable.

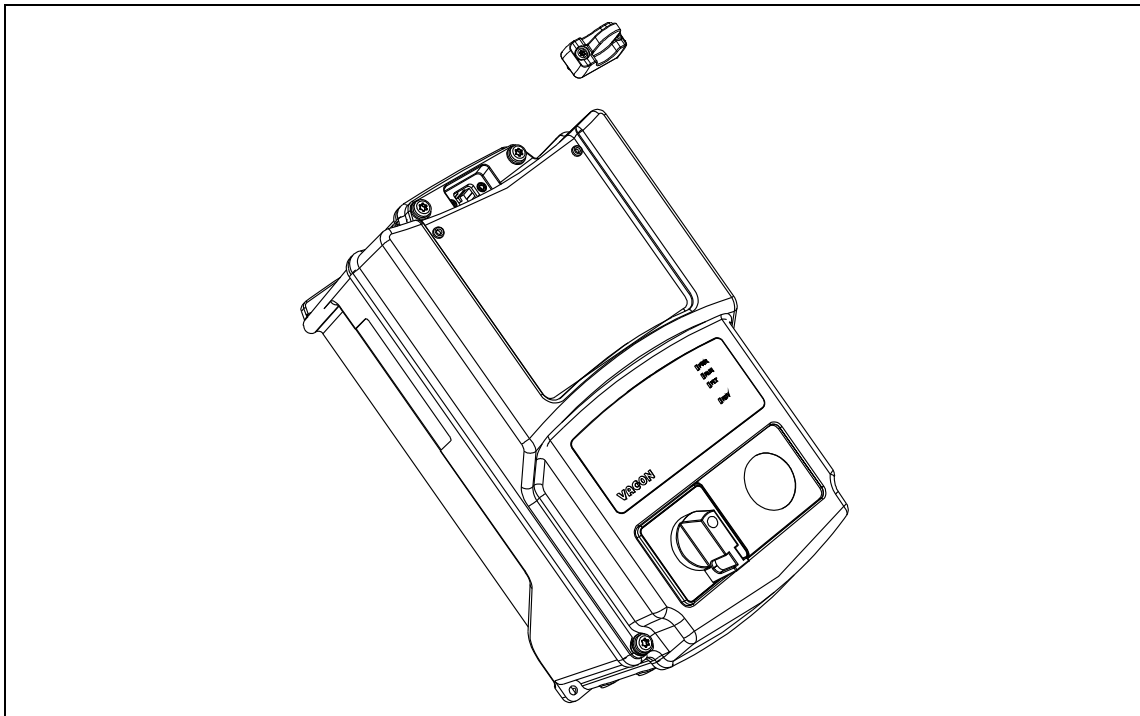


Figure 2. Disconnection of the HMI cap from the drive.

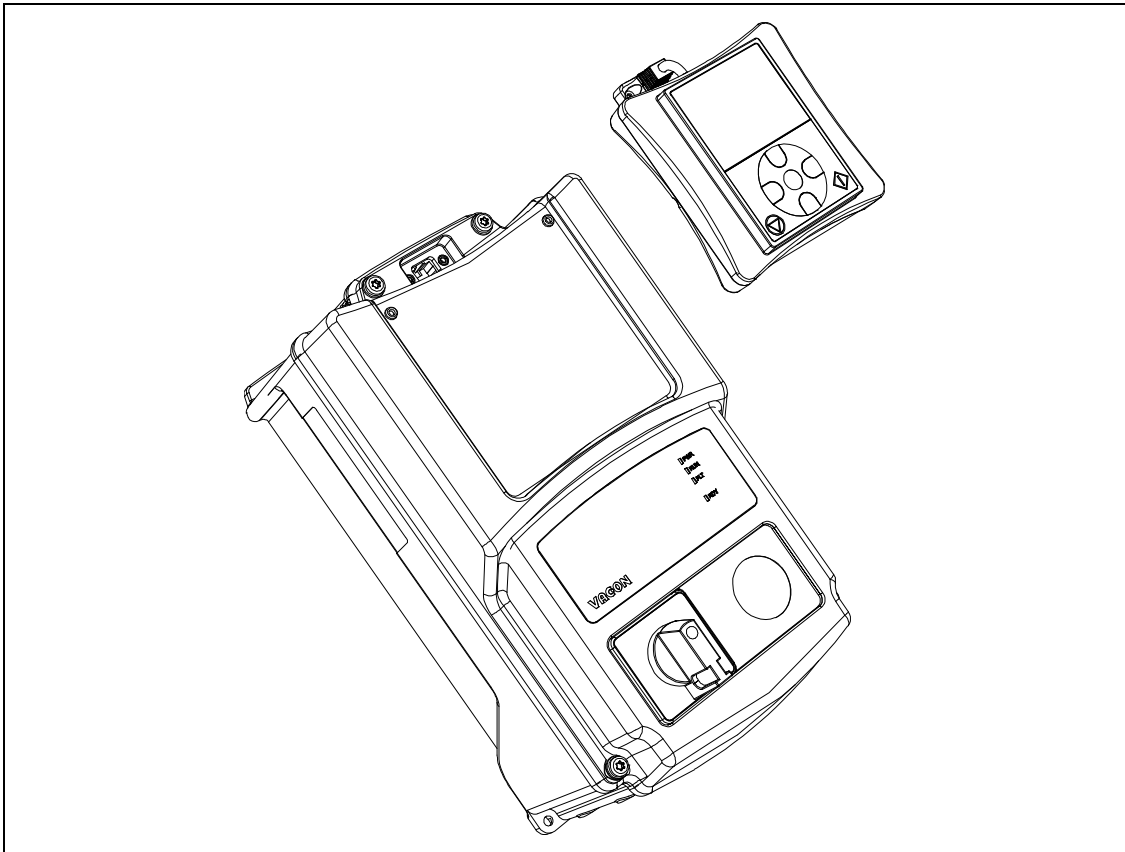


Figure 3. Mounting of the keypad.

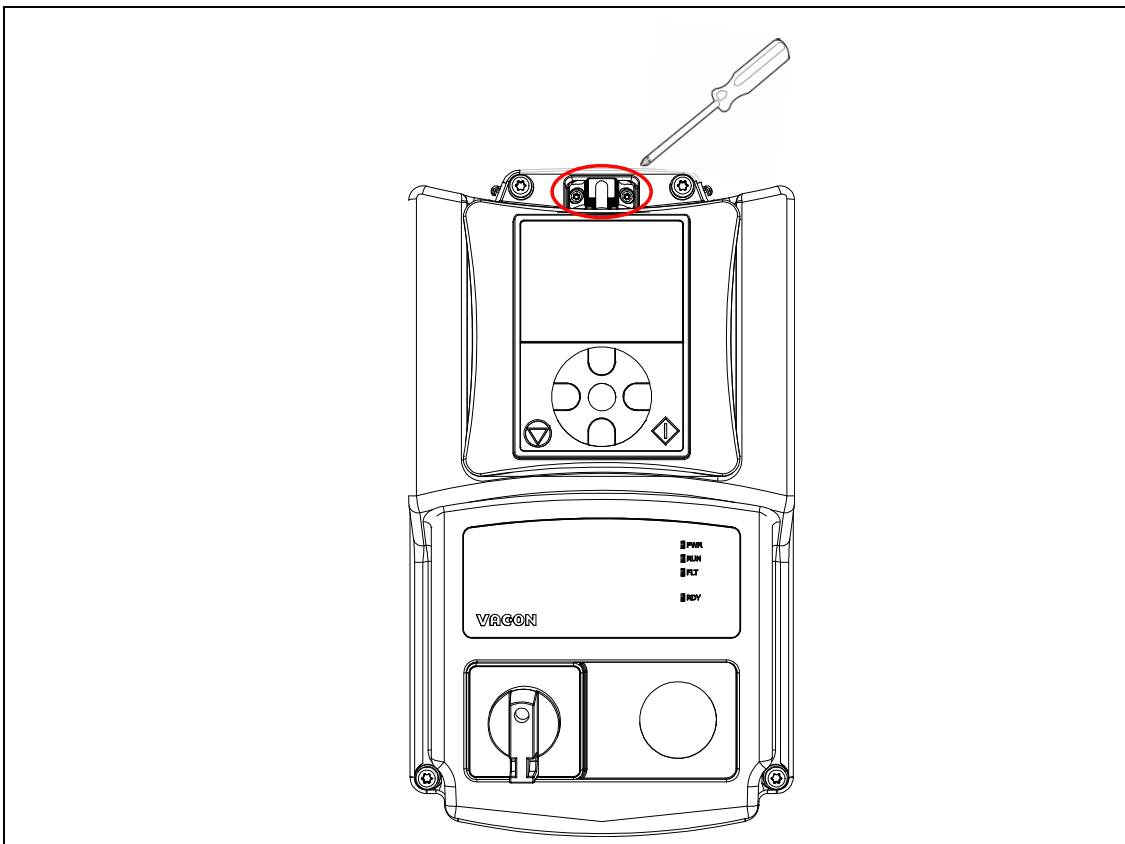


Figure 4. Tighten the two screws of the keypad cable to the enclosure of the drive. Keypad mounted onto the drive.