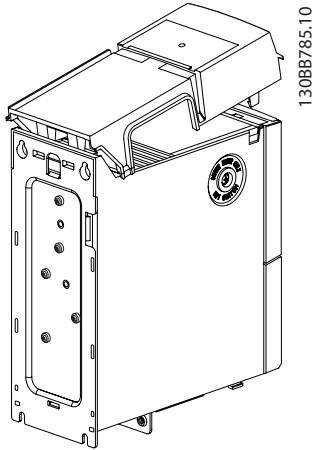


VLT® HVAC Basic Drive IP21 Kit Mounting Instruction for H1, H2, H3, H4 and H5

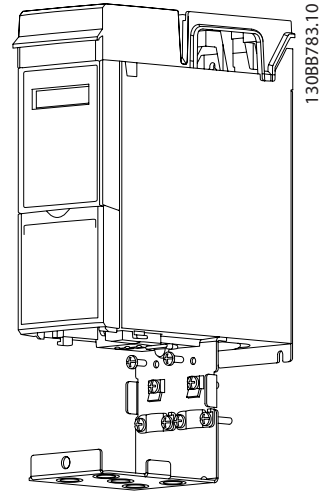
**Step 1**

Fit top cover onto frequency converter.



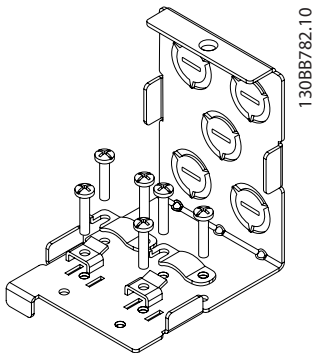
**Step 3**

Mount metal bracket onto frequency converter and tighten two M4 X 10 screws.  
Tightening torque: 2Nm.



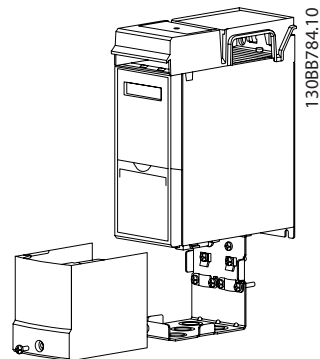
**Step 2**

Install clamps onto metal bracket and tighten M4 X 20 screws.



**Step 4**

Fit bottom cover onto frequency converter and tighten an M4 X 10 screw.



**Note**

IP21 is only achieved with LCP mounted



---

## VLT® HVAC Basic Drive

---

---

Danfoss can accept no responsibility for possible errors in catalogues, brochures and other printed material. Danfoss reserves the right to alter its products without notice. This also applies to products already on order provided that such alterations can be made without subsequential changes being necessary in specifications already agreed. All trademarks in this material are property of the respective companies. Danfoss and the Danfoss logotype are trademarks of Danfoss A/S. All rights reserved.

---

