

Installation Instructions

VLT® Memory Module MCM 103

VLT® Midi Drive FC 280

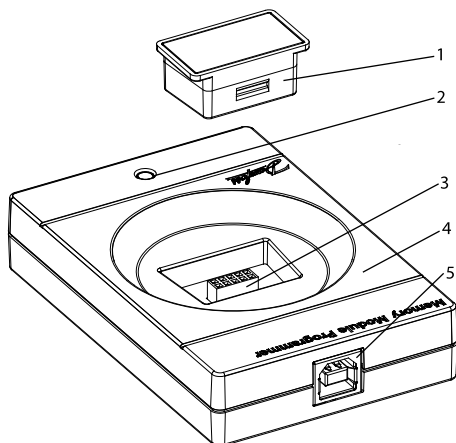
The instructions provide information about installing the VLT® Memory Module MCM 103 in VLT® Midi Drive FC 280.

The VLT® Memory Module MCM 103 is an option for FC 280 frequency converters. The module acts as a combination of both memory module and activation module.

A memory module stores firmware and parameter settings of a frequency converter. If a frequency converter malfunctions, the firmware and parameter settings on this frequency converter can be copied to new frequency converters of the same power size. Copying the settings saves the time for setting up new frequency converters for the same applications.

As an activation module, the VLT® Memory Module MCM 103 can enable locked features in the FC 280 frequency converter firmware. The data and parameter settings on a memory module are encoded files that are protected from direct viewing.

To view files in a memory module, or transfer files to a memory module, a memory module programmer is required. It is not included in this package and must be ordered separately (ordering number: 134B0792).



130BET09.11

1	Memory module
2	Status indicator light
3	Socket for memory module
4	Memory module programmer
5	USB Type-B receptacle

Illustration 1.1 Memory Module and Memory Module Programmer

The memory module can be inserted and removed during operation of the frequency converter, but it is only active after a power cycle.

The personnel mounting or dismounting the memory module must be familiar with the safety instructions and measures described in the *VLT® Midi Drive FC 280 Operating Guide*.

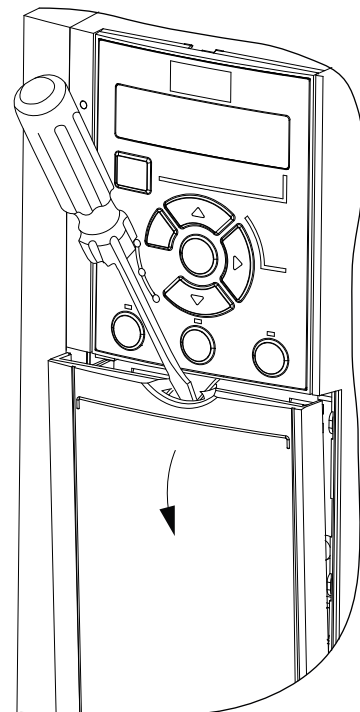
Items Supplied

Description	Ordering number
VLT® Memory Module MCM 103	132B0466

Table 1.1 Ordering Numbers

Installation

1. Remove the plastic front cover of the frequency converter with a screwdriver.



130BES04.11

Illustration 1.2 Removing the Front Cover of the Frequency Converter

- Open the lid of the memory module container.

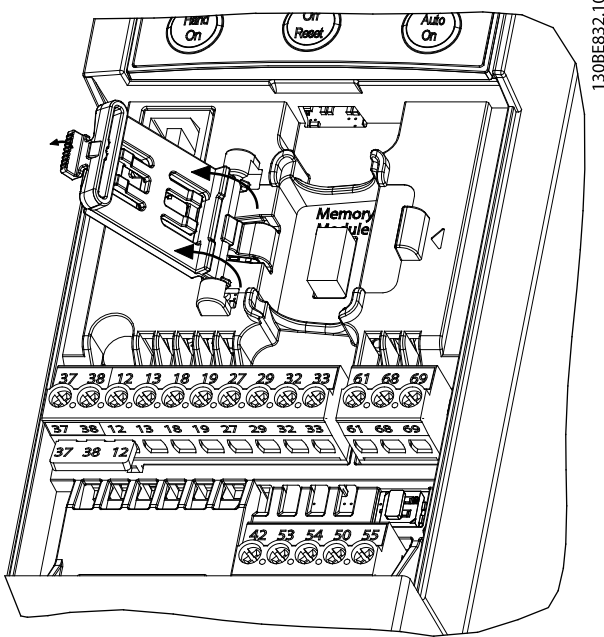


Illustration 1.3 Lid Opened

- Plug the memory module in the frequency converter.

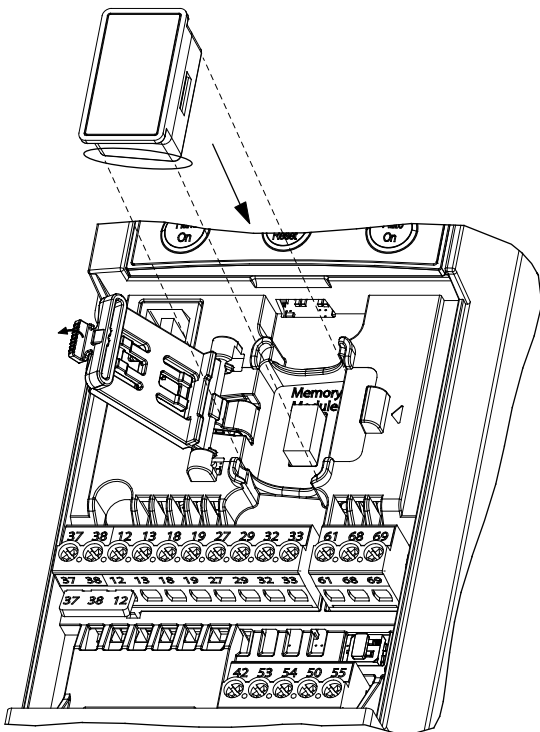


Illustration 1.4 Plugging the Memory Module in the Frequency Converter

- Close the lid of the memory module container.

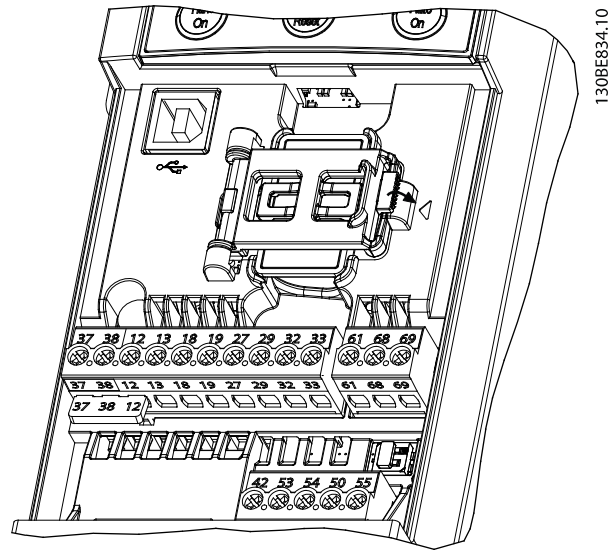


Illustration 1.5 Lid Closed

- Mount the plastic front cover of the frequency converter.

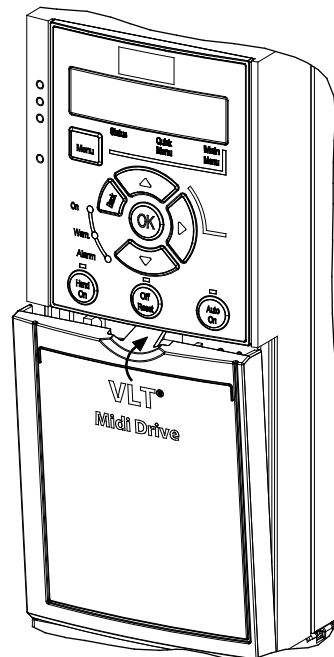


Illustration 1.6 Mounting the Front Cover of the Frequency Converter

- When the frequency converter powers up, the data on the frequency converter is stored into the memory module.

.....
Danfoss can accept no responsibility for possible errors in catalogues, brochures and other printed material. Danfoss reserves the right to alter its products without notice. This also applies to products already on order provided that such alterations can be made without subsequential changes being necessary in specifications already agreed. All trademarks in this material are property of the respective companies. Danfoss and the Danfoss logotype are trademarks of Danfoss A/S. All rights reserved.
.....

Danfoss A/S
Ulsnaes 1
DK-6300 Graasten
vlt-drives.danfoss.com

