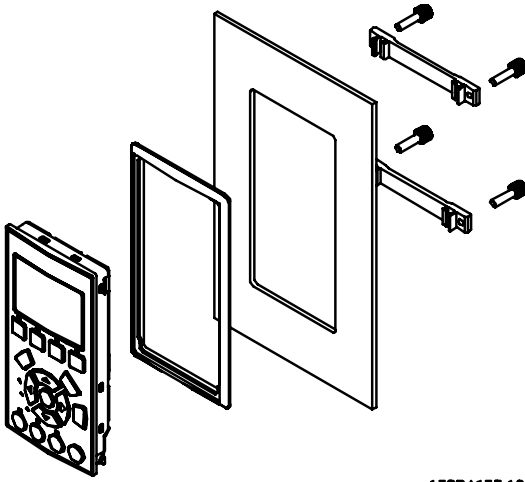
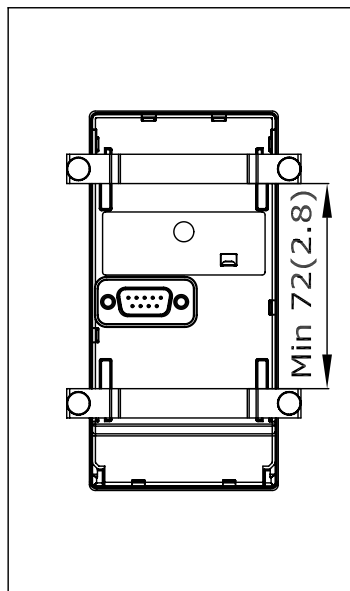
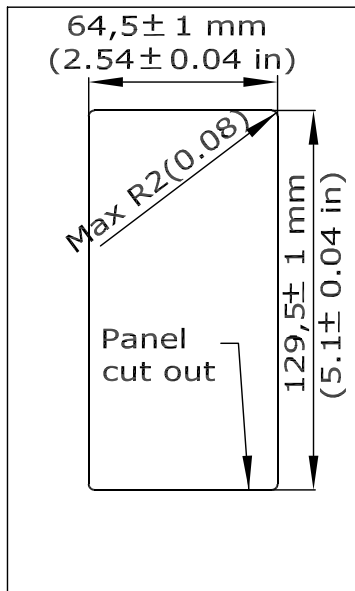


■ LCP Frontmounting Kit IP55



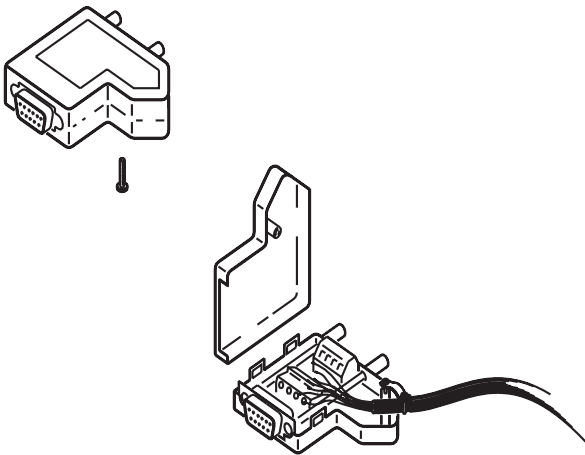
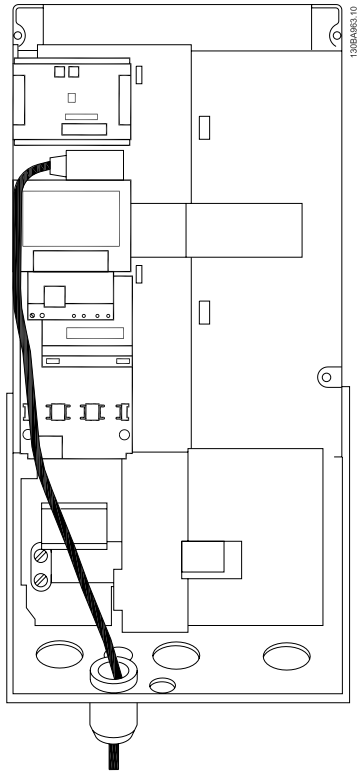
130BA138.10

Installation and Mounting Instructions



130BA139.11

VLT® HVAC Drive FC 100, VLT® AQUA Drive FC 200 and VLT® AutomationDrive FC 300



130BA765.10

	Dansk	English	Deutsch	Français	
A					B
1	Grøn	Green	Grün	Vert	1
2	Brun	Brown	Braun	Marron	2
3	Rød	Red	Rot	Rouge	3
4	Gul	Yellow	Gelb	Jaune	4
5	Sort	Black	Schwarz	Noir	5
6	Orange	Orange	Orange	Orange	6
7	Blå	Blue	Blau	Bleu	7
8	Lilla	Purple	Lila	Voilet	8
9	Grå	Grey	Grau	Gris	9

Danfoss can accept no responsibility for possible errors in catalogues, brochures and other printed material. Danfoss reserves the right to alter its products without notice. This also applies to products already on order provided that such alterations can be made without subsequential changes being necessary in specifications already agreed. All trademarks in this material are property of the respective companies. Danfoss and the Danfoss logotype are trademarks of Danfoss A/S. All rights reserved.

