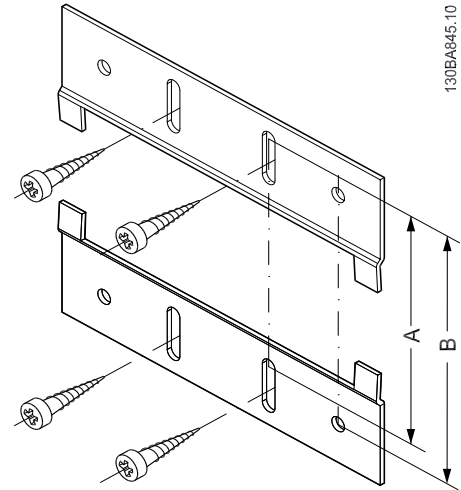
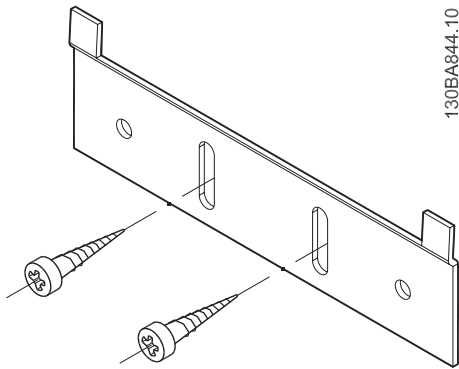


## Installation Instruction for Mounting Brackets

Enclosure type A5, B1, B2, C1 and C2

IP21, IP55 or IP66



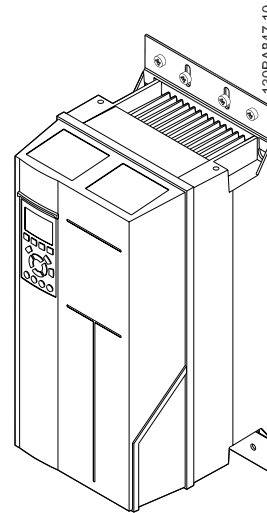
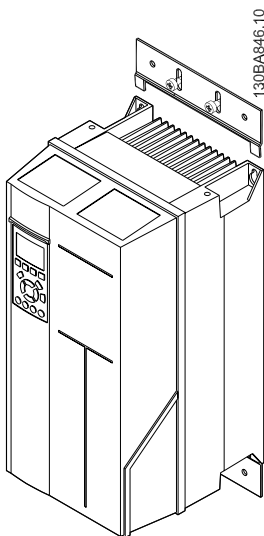
### Step 1

Place the lower bracket and mount it with screws. Do not totally tighten the screws, as that will make it difficult to mount the VLT. Hole:  $\varnothing 9\text{mm}$ .

### Step 2

Measure distance A or B, and place the upper bracket, but do not tighten it. Dimension as in table:

	A5 IP55/66	B1 IP21/55/66	B2 IP21/55/66	C1 IP21/55/66	C2 IP21/55/66
(A) mm	480	535	705	730	820
(B) mm	495	550	720	745	835



### Step 3

Place the VLT in the lower bracket, lift the upper one. When the VLT is in place, lower the upper bracket.

### Step 4

Now tighten the screws. For extra security drill and mount screws in all holes.

---

Danfoss can accept no responsibility for possible errors in catalogues, brochures and other printed material. Danfoss reserves the right to alter its products without notice. This also applies to products already on order provided that such alterations can be made without subsequential changes being necessary in specifications already agreed. All trademarks in this material are property of the respective companies. Danfoss and the Danfoss logotype are trademarks of Danfoss A/S. All rights reserved.

---

