

# Installation Instructions

## VLT® Control Panel LCP 21

### Mounting

Ordering number for the VLT® Control Panel LCP 21: 132B0254

1. Slide the VLT® Control Panel LCP 21 into the display cradle on the top of the frequency converter.

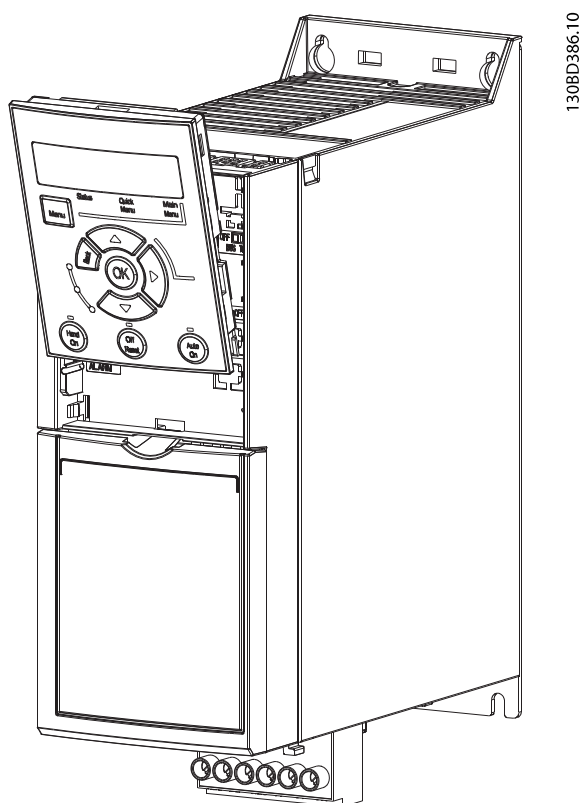
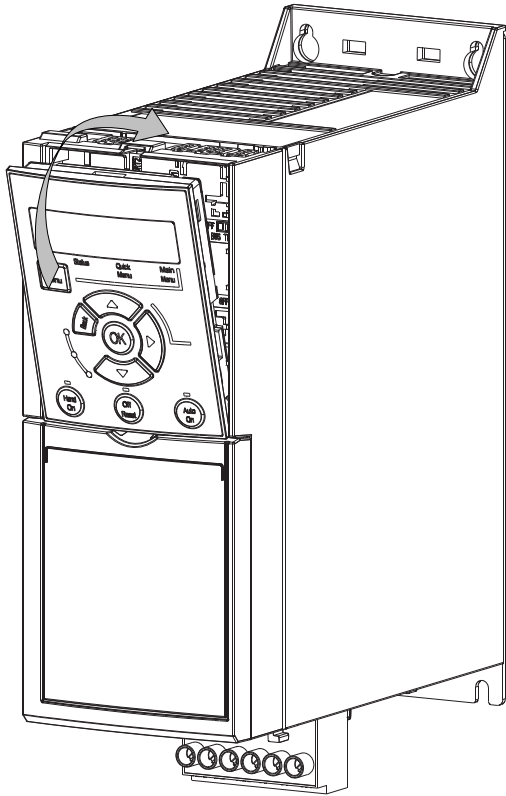
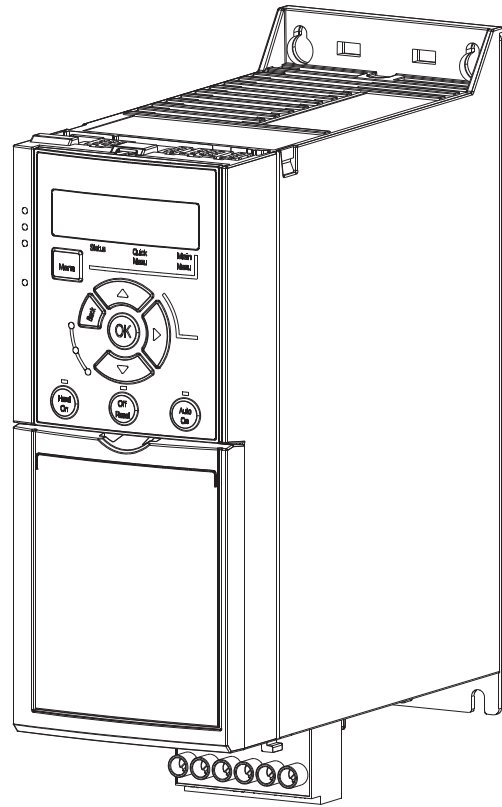


Illustration 1.1 Mount the VLT® Control Panel LCP 21

2. Push the VLT® Control Panel LCP 21 into place.



130BD387.10



130BD388.10

Illustration 1.3 Installation Completed

Illustration 1.2 Push into Place

Danfoss can accept no responsibility for possible errors in catalogues, brochures and other printed material. Danfoss reserves the right to alter its products without notice. This also applies to products already on order provided that such alterations can be made without consequential changes being necessary in specifications already agreed. All trademarks in this material are property of the respective companies. Danfoss and the Danfoss logotype are trademarks of Danfoss A/S. All rights reserved.

Danfoss A/S  
 Ulsnaes 1  
 DK-6300 Graasten  
 vlt-drives.danfoss.com

