

Danfoss



Design Guide

MCD 200

MCD 201

MCD 202

■ Contents

MCD 200 Series Overview	3
Description	3
Ratings	4
General Technical Data	5
Mechanical Installation	7
Dimensions and Weights	7
Cable Size	9
Semiconductor Fuses	9
Frequently Asked Questions	10
MCD 201	13
Electrical Schematic	13
Control Circuits	15
Functionality	15
Indication	16
Fault Finding	16
MCD 202	17
Electrical Schematic	17
Control Circuits	17
Functionality	18
Motor Thermistor Protection	20
Indication	20
Fault Finding	21
Accessories	22
Overview	22
MCD 200 Remote Operator	22
MCD 200 Modbus Module	22
MCD 200 Profibus Module	22
MCD 200 DeviceNet Module	22
MCD 200 AS-i Module	22
MCD PC Software	22
Soft Start Application Guide	24
Reduced Voltage Starting	24
Types of Soft Start Control	25
Understanding Soft Starter Ratings	25
Model Selection	26
Typical Applications	27
Power Factor Correction	28

■ Warnings

■ High voltage warning - MCD 200 DG



The MCD 200 contains dangerous voltages when connected to line voltage. Only a competent electrician should carry out the electrical installation. Improper installation of the motor or the MCD 200 may cause equipment failure, serious injury or death. Follow this manual, National Electrical Code (NEC®) and local safety codes.

■ Safety regulations

1. The soft starter must be disconnected from the mains if repair work is to be carried out.



It is the responsibility of the user or the person installing the MCD 200 to provide proper grounding and branch circuit protection according to the National Electrical Code (NEC®) and local safety codes.

■ Warning against unintended start

1. The motor can be brought to a stop by means of digital or bus commands while the soft starter is connected to the mains.
If personal safety considerations make it necessary to ensure that no unintended start occurs, these stop functions are not sufficient.
2. A motor that has been stopped may start if faults occur in the electronics of the soft starter, or a temporary fault in the supply mains or the motor connection ceases.

■ Symbols used in this manual

When reading this manual, you will come across different symbols that require special attention. The symbols used are the following:



NOTE

Indicates something to be noted by the reader



Indicates a general warning



Indicates a high voltage warning

■ Avoiding soft starter damage

Please read and follow all instructions in this manual. Additionally, take special note of the following:

1. Do not connect power factor correction capacitors to the soft starter output. Static power factor correction, if used, must be connected on the mains side of the soft starter.
2. Do not apply incorrect voltages to the MCD 200 control inputs.



Electrostatic Precaution; Electrostatic discharge (ESD). Many electronic components are sensitive to static electricity. Voltages so low that they cannot be felt, seen, or heard can reduce the life, affect performance, or completely destroy sensitive electronic components. When performing service, proper ESD equipment should be used to prevent possible damage from occurring.

■ MCD 200 Series Overview

■ Description

The Danfoss MCD 200 Soft Starter series comprises two separate ranges:

- MCD 201
- MCD 202

MCD 201 and MCD 202 soft starters share a common power and mechanical design, but offer different levels of functionality.

MCD 201 soft starters provide TVR (Timed Voltage Ramp) starting and stopping control and are designed for use with an external motor protection device.

MCD 202 soft starters provide Current Limit starting control, TVR soft stop and include a range of motor protection functions.

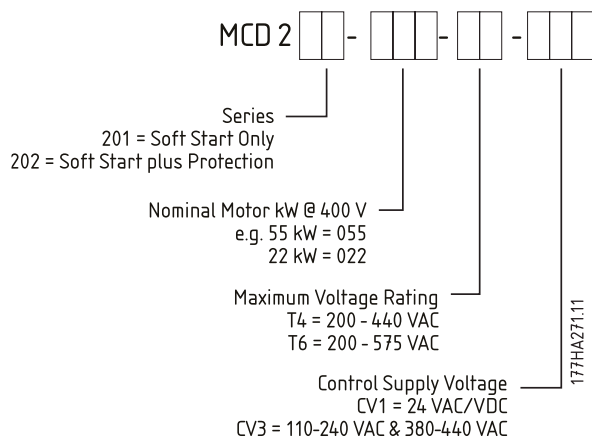


NOTE

This manual makes reference to MCD 200, MCD 201 and MCD 202. The MCD 200 designation is used when referring to characteristics common to both the MCD 201 and MCD 202 ranges. In all other cases, the text refers to the specific range MCD 201 or MCD 202.

MCD 200 soft starters include an integral bypass function that bypasses the soft starter SCRs during run. This minimizes heat dissipation during run and makes the MCD 200 suitable for installation within non-ventilated enclosures without the need for an external bypass contactor.

■ Ordering Type Code



■ Ratings

MCD 200 Model	Continuous Ratings (Internally bypassed) @ 104 °F (40 °C) Ambient Temperature, <3281 ft (<1000 meters) *	
	Normal	Heavy
007	18 A: AC53b 4-6:354	17 A: AC53b 4-20:340
015	34 A: AC53b 4-6:354	30 A: AC53b 4-20:340
018	42 A: AC53b 4-6:354	36 A: AC53b 4-20:340
022	48 A: AC53b 4-6:354	40 A: AC53b 4-20:340
030	60 A: AC53b 4-6:354	49 A: AC53b 4-20:340
037	75 A: AC53b 4-6:594	65 A: AC53b 4-20:580
045	85 A: AC53b 4-6:594	73 A: AC53b 4-20:580
055	100 A: AC53b 4-6:594	96 A: AC53b 4-20:580
075	140 A: AC53b 4-6:594	120 A: AC53b 4-20:580
090	170 A: AC53b 4-6:594	142 A: AC53b 4-20:580
110	200 A: AC53b 4-6:594	165 A: AC53b 4-20:580

MCD 200 Model	Continuous Ratings (Internally bypassed) @ 122 °F (50 °C) Ambient Temperature, <3281 ft (<1000 meters) *	
	Normal	Heavy
007	17 A: AC53b 4-6:354	15 A: AC53b 4-20:340
015	32 A: AC53b 4-6:354	28 A: AC53b 4-20:340
018	40 A: AC53b 4-6:354	33 A: AC53b 4-20:340
022	44 A: AC53b 4-6:354	36 A: AC53b 4-20:340
030	55 A: AC53b 4-6:354	45 A: AC53b 4-20:340
037	68 A: AC53b 4-6:594	59 A: AC53b 4-20:580
045	78 A: AC53b 4-6:594	67 A: AC53b 4-20:580
055	100 A: AC53b 4-6:594	87 A: AC53b 4-20:580
075	133 A: AC53b 4-6:594	110 A: AC53b 4-20:580
090	157 A: AC53b 4-6:594	130 A: AC53b 4-20:580
110	186 A: AC53b 4-6:594	152 A: AC53b 4-20:580

* Contact Danfoss for other ratings.

Example

For 29.5 HP (22 kW) model: 48 A: AC53b: 4-6:354

48 A: Starter current rating.

AC53b: Load category for soft starters with SCRs bypassed during run.

4-6: 400% start current for 6 seconds.

354: 354 seconds between the end of one start to the beginning of the next start (i.e. 10 starts per hour).

■ General Technical Data

Line Supply (L1, L2, L3):

MCD 200-xxx-T4-xxx	3 x 200 VAC ~ 440 VAC (+10% / - 15%)
MCD 200-xxx-T6-xxx	3 x 200 VAC ~ 575 VAC (+10% / - 15%)
Supply frequency (at start)	45 Hz - 66 Hz

Control Supply (A1, A2, A3):

MCD 200-xxx-xx-CV1	24 VAC/VDC (± 20%)
MCD 200- xxx-xx-CV3	110-240 VAC (+10% / - 15%) or 380-440 VAC (+10% / - 15%)

Control Inputs

Start Terminal N1	Normally Open, 300 VAC max.
Stop Terminal N2	Normally Closed, 300 VAC max.

Relay Outputs

Main Contactor (Terminals 13 & 14)	Normally Open
Main Contactor (Terminals 13 & 14)	6 A, 30 VDC resistive / 2 A, 400 VAC, AC11
Programmable Relay (Terminals 23 & 24)	Normally Open
Programmable Relay (Terminals 23 & 24)	6 A, 30 VDC resistive / 2 A, 400 VAC, AC11

Environmental

Degree of protection MCD 200-007 to MCD 200-055	IP20
Degree of protection MCD 200-075 to MCD 200-110	IP00
Operating Temperatures	14 °F / 140 °F (-10 °C / +60 °C)
Humidity	5% to 95% Relative Humidity
Pollution Degree	Pollution Degree 3
Vibration	IEC 60068 Test Fc Sinusoidal
Vibration	4 Hz - 13.2 Hz: ± 0.04 in (± 1 mm) displacement
Vibration	13.2 Hz - 100 Hz: ± 0.0015 lb (± 0.7 g)

EMC Emission

Equipment class (EMC)	Class A
Conducted radio frequency emission	0.15 MHz - 0.5 MHz: < 90 dB (µV)
Conducted radio frequency emission	0.5 MHz - 5 MHz: < 76 dB (µV)
Conducted radio frequency emission	5 MHz - 30 MHz: 80-60 dB (µV)
Radiated radio frequency emission	30 MHz - 230 MHz: < 30 dB (µV/m)
Radiated radio frequency emission	230 MHz - 1000 MHz: < 37 dB (µV/m)

This product has been designed for Class A equipment. Use of the product in domestic environments may cause radio interference, in which case the user may be required to employ additional mitigation methods.

EMC Immunity

Electrostatic discharge	4 kV contact discharge, 8 kV air discharge
Radio frequency electromagnetic field	0.15 MHz - 1000 MHz: 140 dB (µV)
Rated impulse withstand voltage (Fast transients 5/50 ns)	2 kV line to ground
Rated insulation voltage (Surges 1.2/50 µs - 8/20 ms)	2 kV line to ground, 1 kV line to line
Voltage dip and short time interruption	100 ms (at 40% nominal voltage)



MCD 200 Design Guide

Short Circuit

Rated short circuit current MCD 200-007 to MCD 200-037	5 kA
Rated short circuit current MCD 200-045 to MCD 200-110	10 kA

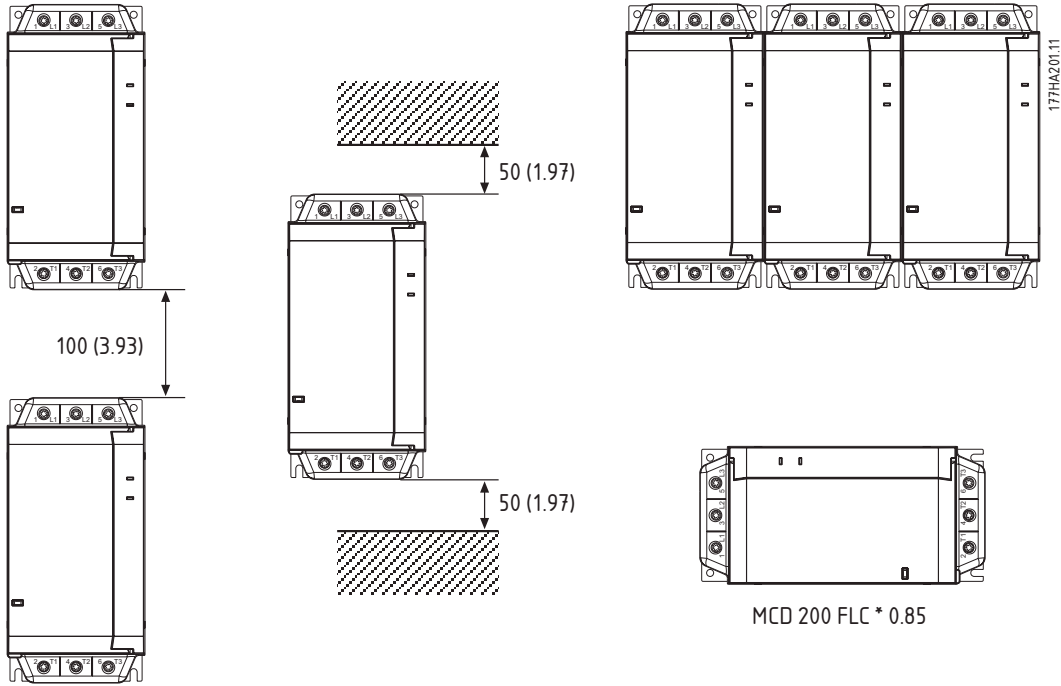
Heat Dissipation

During Start	10 Btu/hr / ampere (3 watts / ampere)
During Run	< 13.7 Btu/hr (4 watts)

Standards Approvals

C✓	IEC 60947-4-2
UL / C-UL	UL508
CE	IEC 60947-4-2
CCC	GB 14048.6

■ Mechanical Installation



mm (inch)

MCD 200	Din Rail	Foot Mounting
MCD 200-007 ~ MCD 200-030	1.18 in. (30 mm)	Yes
MCD 200-037 ~ MCD 200-110	Not available	Yes

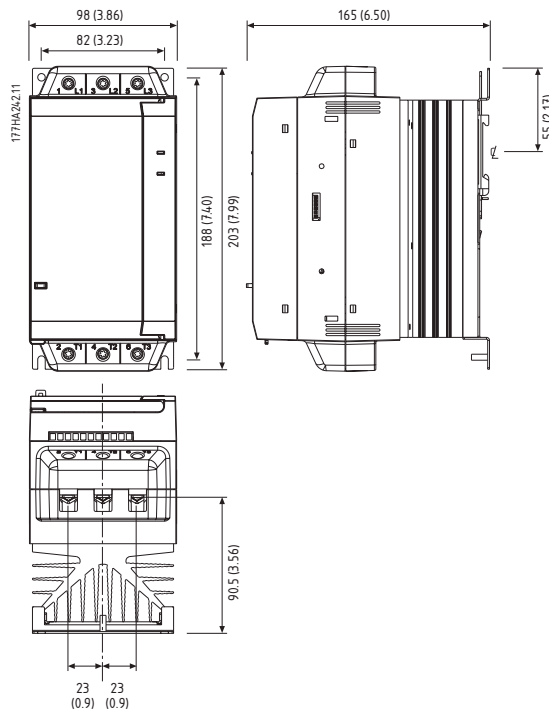
MCD 200 Series Overview

■ Dimensions and Weights

mm (inch)

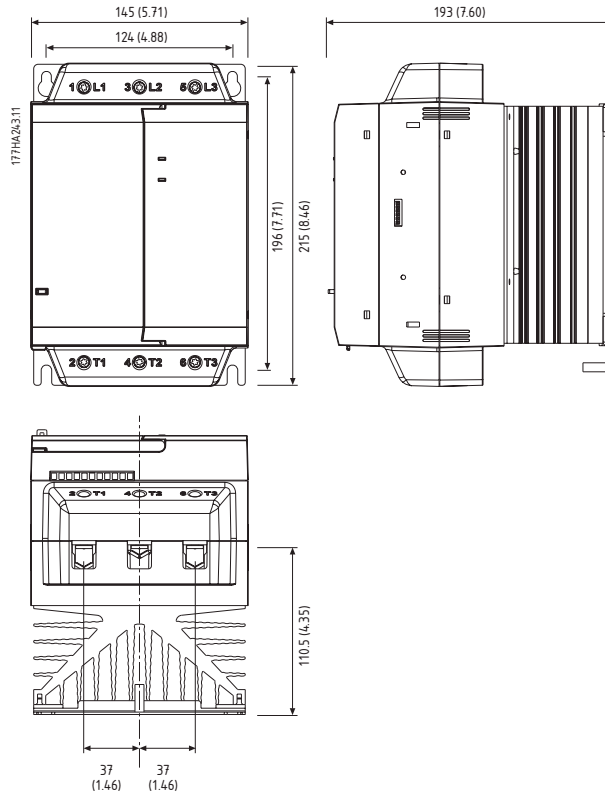
MCD 201-007 ~ MCD 201-030 (2.2 kg / 4.8 lb)

MCD 202-007 ~ MCD 202-030 (2.4 kg / 5.3 lb)



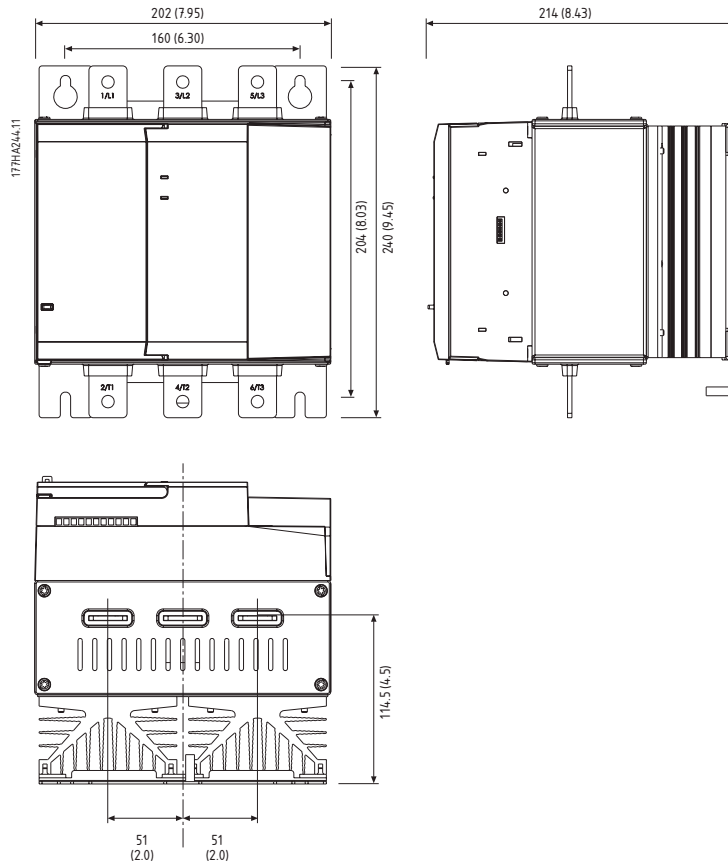
MCD 201-037 ~ MCD 201-055 (4.0 kg / 8.8 lb)

MCD 202-037 ~ MCD 202-055 (4.3 kg / 9.5 lb)



MCD 201-075 ~ MCD 201-110 (6.1 kg / 13.5 lb)

MCD 202-075 ~ MCD 202-110 (6.8 kg / 15.0 lb)



■ Cable Size

	mm ² (AWG)				mm ² (AWG)	
	MCD 200-007 ~ MCD 200-030	MCD 200-037 ~ MCD 200-055	MCD 200-075 ~ MCD 200-110	MCD 200-007 ~ MCD 200-110	MCD 200-007 ~ MCD 200-110	
	10 - 35 (8 - 2)	25 - 50 (4 - 1/0)	N.A.	0.14 - 1.5 (26 - 16)		
	10 - 35 (8 - 2)	25 - 50 (4 - 1/0)	N.A.	0.14 - 1.5 (26 - 16)		
	Torx (T20) 3 - 5 Nm. 2.2 - 3.7 ft-lb.	Torx (T20) 4 - 6 Nm. 2.9 - 4.4 ft-lb.	N.A.	N.A.	N.A.	
	7 mm 3 - 5 Nm 2.2 - 3.7 ft-lb	7 mm 4 - 6 Nm 2.9 - 4.4 ft-lb	N.A.	N.A.	3.5 mm 0.5 Nm max. 4.4 lb-in max.	

177HA245.11

167°F (75°C) Wire. Use copper conductors only.

■ Semiconductor Fuses

Semiconductor fuses may be used with the MCD 200 soft starters. Use of semiconductor fuses will provide Type 2 coordination and reduce the potential of SCR damage due to transient overload currents and short circuits. MCD 200 soft starters have been tested to achieve Type 2 coordination with semiconductor fuses.

The following table provides a list of suitable Ferraz and Bussman fuses. If selecting alternate brands, ensure that the selected fuse has a lower total clearing I²t rating than the SCR, and can carry start current for the full starting duration.

MCD 200	SCR I ² t (A ² s)	Ferraz Fuse European/IEC Style (North American Style)	Bussman Fuse Square Body (170M)	Bussman Fuse British Style (BS88)
MCD 200-007	1150	6.6URD30xxxA0063 (A070URD30xxx0063)	170M-1314	63 FE
MCD 200-015	8000	6.6URD30xxxA0125 (A070URD30xxx0125)	170M-1317	160 FEE
MCD 200-018	10500	6.6URD30xxxA0160 (A070URD30xxx0160)	170M-1318	160 FEE
MCD 200-022	15000	6.6URD30xxxA0160 (A070URD30xxx0160)	170M-1318	180 FM
MCD 200-030	18000	6.6URD30xxxA0160 (A070URD30xxx0160)	170M-1319	180 FM
MCD 200-037	51200	6.6URD30xxxA0250 (A070URD30xxx0250)	170M-1321	250 FM
MCD 200-045	80000	6.6URD30xxxA0315 (A070URD30xxx0315)	170M-1321	250 FM
MCD 200-055	97000	6.6URD30xxxA0315 (A070URD30xxx0315)	170M-1321	250 FM
MCD 200-075	168000	6.6URD31xxxA0450 (A070URD31xxx0450)	170M-1322	500 FMM
MCD 200-090	245000	6.6URD31xxxA0450 (A070URD31xxx0450)	170M-3022	500 FMM
MCD 200-110	320000	6.6URD31xxxA0450 (A070URD31xxx0450)	170M-3022	500 FMM

xxx = Blade Type.

Refer to Ferraz for options.

■ Frequently Asked Questions

- **What is the minimum allowable motor current when using an MCD 201 open loop soft starter?**

There is no minimum current when using an MCD 201 open loop soft starter

- **What is the minimum allowable motor current when using an MCD 202 closed-loop soft starter?**

The minimum "Motor FLC" setting is 50% of the MCD 202 nameplate rating. All the motor protections are based on this setting.

It is possible to operate an MCD 202 with a small kW motor, for testing purposes. In this case, the motor will effectively start DOL, and the MCD 202 will not protect the motor. The starter will not trip, because there is no undercurrent protection on MCD 202.

- **What type of motor protection does the MCD 202 have?**

The MCD 202 has built-in motor overload protection of the electronic "thermal model" type. The motor current is continuously monitored

and the expected temperature is calculated based on this monitored current.

The rate of rise of the calculated motor temperature is determined by the Motor Trip Class setting.

The lower this setting, the faster the rate of rise of calculated motor temperature. An Overcurrent trip (x 2 Ready LED flashes) will occur when the calculated temperature reaches 105%. The setting of the Motor Trip Class pot is similar to a motor trip class setting on a standard thermal overload relay. An external motor protection device is not required when using an MCD 202 soft starter. MCD 202 is certified to conform to the IEC60947-4-2 standard for electronic soft starters. The reliability of the motor protection feature is part of this standard.

- **How do I select an MCD 200 soft starter for duty cycles different from those listed in the standard ratings table?**

The WinStart software package is available for selecting soft starters for different duty cycles.

- **Which MCD 200 models carry the UL mark?**

- All T6 models carry the UL mark.
- What are the MCD 200 operational ratings before maintenance may be required?**
The operational ratings for MCD 200 are size-dependent, and are due to the capability of the internal bypass relays:
Size 1 & 2 (10 ~ 74 HP / 7.5 ~ 55 kW):
1,000,000 operations
Size 3 (100 ~ 148 HP / 75 ~ 110 kW):
100,000 operations.
 - When would I use a line contactor?**
A line contactor may be compulsory for a specific installation. This requirement will be the same whether using a two-phase controlled soft starter or a three-phase controlled soft starter (see Product Note for more detail).
 - How do I size the fuses of the motor branch circuit (Type 1) when using an MCD 200 soft starter?**
For "Current Limit" settings $\leq 350\%$ and start times ≤ 15 seconds, the nominal rating of standard line supply fuses (gG) should be $1.75 \times$ Motor FLC. If motor rated fuses (gM) are being used, their nominal rating should be $1.5 \times$ Motor FLC.
For "Current Limit" settings $> 350\%$ and start times > 15 seconds, the nominal rating of standard line supply fuses (gG) should be $2 \times$ Motor FLC. If motor rated fuses (gM) are being used, their nominal rating should be $1.75 \times$ Motor FLC.
 - When would I use semiconductor fuses?**
Either when specified for an installation, or when Type 2 coordination is required.
The MCD 200 is internally bypassed, so the SCRs are in use only during starting and soft stopping.
 - What is the current consumption of the MCD 200 control supply?**
The steady-state consumption of the control supply is 100 mA maximum, for both CV1 and CV3 models. However, the short time inrush current at control supply "switch-on" can be as high as 10 A for CV3 models, and 2 A for CV1 models (due to the SMPS power supply).
 - How can the MCD 202 programmable output relay be used?**
The programmable output relay provides an N/O contact, which can be used for a "Trip" or "Run" output.
Trip output:
The relay operates when the MCD 202 trips on any fault. This can be used to operate a

shunt-trip mechanism of an upstream circuit breaker to isolate the motor branch circuit. It could also be used to signal MCD 202 "Trip" status to an automation system.

Run output:

The relay operates on completion of start ramp. This can be used to operate a contactor for power factor correction capacitors. It could also be used to signal MCD 202 "Run" status to an automation system.

- Is the MCD 202 suitable for flying start application?**
Yes. There is a built-in 2 second delay between the end of one stop and the beginning of the next start. This delay allows the motor flux to decay, eliminating any chance of the MCD 202 tripping on Power Circuit fault (x 1 Ready LED flash) due to detection of motor back EMF when the start signal is applied. The major effect of a flying start is on the actual time the MCD 202 "current limits." The ramp-up time will be reduced and is determined by the motor speed on reapplication of the start signal.
- What is the remote start and stop input impedance?**
Are any special precautions necessary during installation?
The N1/N2 input impedance is approximately $400 \text{ k}\Omega$ @ 300 VAC and $5.6 \text{ k}\Omega$ @ 24 VAC/VDC. All control wiring, for long runs, should be either twisted pair or shielded cable with the shield grounded at one end. Control wiring should be separated from power cables by a minimum distance of 11.8 in. (300 mm).
If long cable runs cannot be avoided, the best assurance against noise interference is to install an interposing relay in close proximity to the MCD 200 soft starter.
- Why is it necessary to apply control voltage before (or with) line voltage?**
There is a possibility that the soft starter could arrive at site with the internal bypass relays in "closed" state. On first application of control voltage, the bypass relays are commanded to open. If line voltage is applied without control voltage, this step is missed, and the motor may start DOL without warning (see Product Note for more detail).
- What are the under- & over-frequency trip points for MCD 200 soft starters?**
The trip points are 40 Hz and 72 Hz. If the frequency falls below 40 Hz or rises above 72 Hz,

the soft starter will trip (x 6 Ready LED flashes).

These trip points are not adjustable.

A supply frequency trip will also occur if all three phases from the line supply are lost, or fall below approximately 120 VAC while the soft starter is running.

A supply frequency trip will occur if the line contactor drops out during running.

- ***Will the motor start DOL if the start ramp of MCD 201 open loop soft starter is set to "full voltage"?***

No, the MCD 201 will still provide a limited soft start. The voltage is ramped up from 0 to 100% in approximately 0.25 seconds.

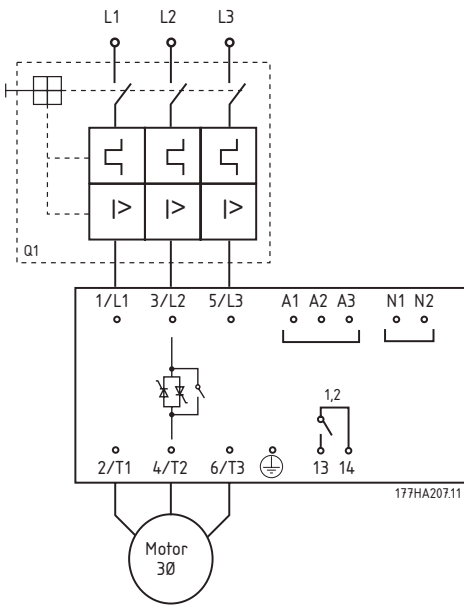
■ MCD 201

■ MCD 201 Range

MCD 201 soft starters provide TVR (Timed Voltage Ramp) starting and stopping control and are designed for use with an external motor protection device.

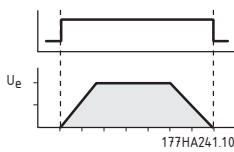
■ Electrical Schematic

Example 1 - MCD 201 installed with motor protection circuit breaker.

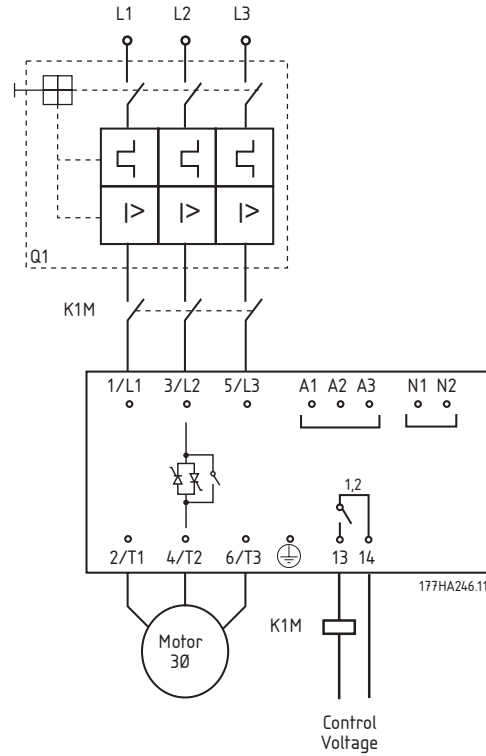


1 6 A @ 30 VDC resistive / 2 A 400 VAC AC11

2 Main Contactor

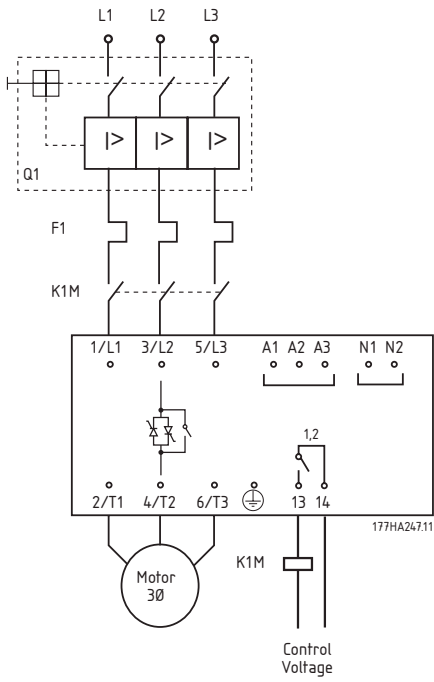


Example 2 - MCD 201 installed with motor protection circuit breaker and line contactor.



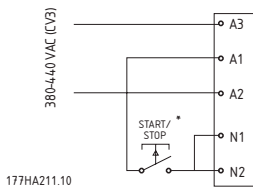
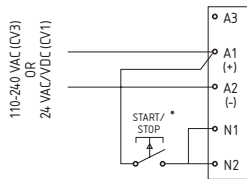
Example 3 - MCD 201 installed with circuit breaker, overload and line contactor.

MCD 201



Control Circuits

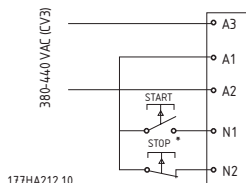
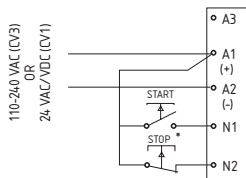
2 Wire Control



177HA211.10

* Also resets the MCD 201

3 Wire Control

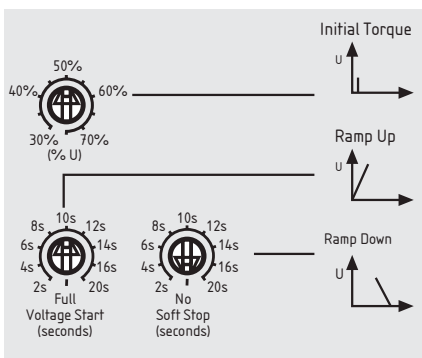


177HA212.10

* Also resets the MCD 201

Functionality

User Adjustments



177HA248.10

1 Initial Torque

Value:

30% - 75% Initial Torque

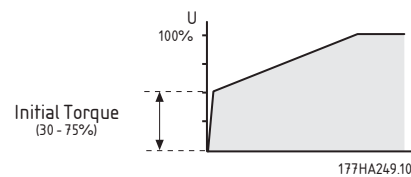
★ 50%

Function:

Determines the start torque generated by the motor when the start command is first applied.

Description of choice:

Set so that the motor begins to rotate as soon as the start command is given.



2 Ramp Up

Value:

2 - 20 seconds, Full Voltage

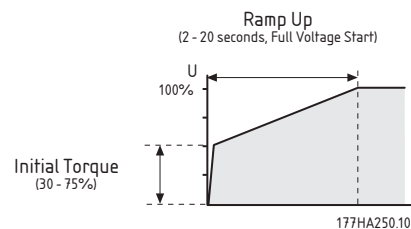
★ 10 seconds

Function:

Determines the time taken for voltage to be ramped up to line voltage.

Description of choice:

Set to optimize motor acceleration and/or start current. Short ramp times result in quicker acceleration and higher start currents. Long ramp times result in slower acceleration and lower start current.



3 Ramp Down

Value:

2 - 20 seconds, No Soft Stop

★ No Soft Stop

Function:

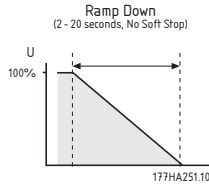
Sets the time of the soft stop voltage ramp. The soft stop function extends motor deceleration

MCD 201

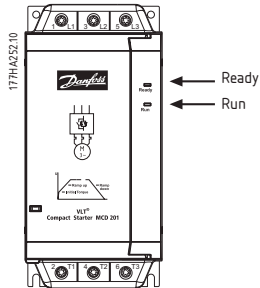
time by ramping down voltage supplied to the motor when a stop is initiated.

Description of choice:

Set the ramp time to optimize stopping characteristics for the load.







■ Indication



LED	OFF	ON	FLASH
Ready	No control power	Ready	Starter tripped
Run	Motor not running	Motor running at full speed	Motor starting or stopping

■ Fault Finding

Ready LED	Description
 x 1	Power Circuit Fault: Check line supply L1, L2 & L3, motor circuit T1, T2 & T3 and soft starter SCRs.
 x 6	Supply Frequency: Check if supply frequency is in range
 x 8	Network Comms Failure (between accessory module and network): Check network connections and settings.
 x 9	Starter Comms Failure (between starter and accessory module): Remove and refit accessory module.

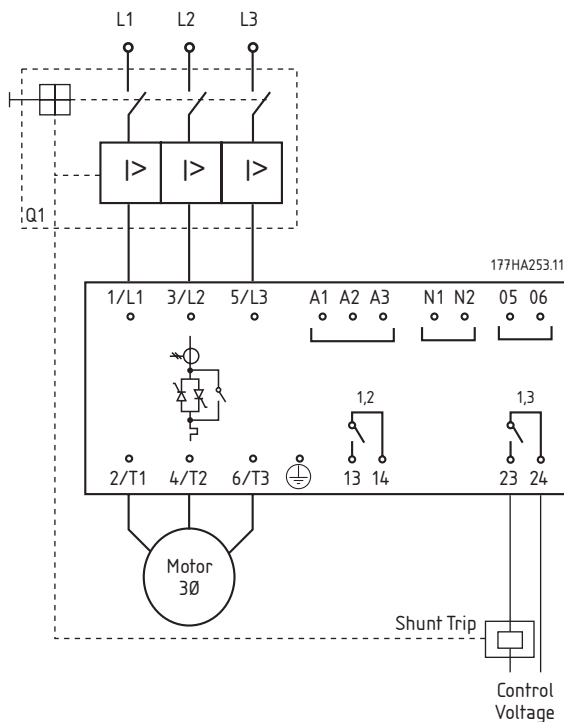
■ MCD 202

■ MCD 202 Range

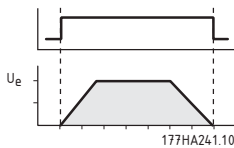
MCD 202 soft starters provide current limit control and TVR soft stop, and include a range of motor protection features

■ Electrical Schematic

Example 1 – MCD 202 installed with system protection circuit breaker complete with shunt trip device.

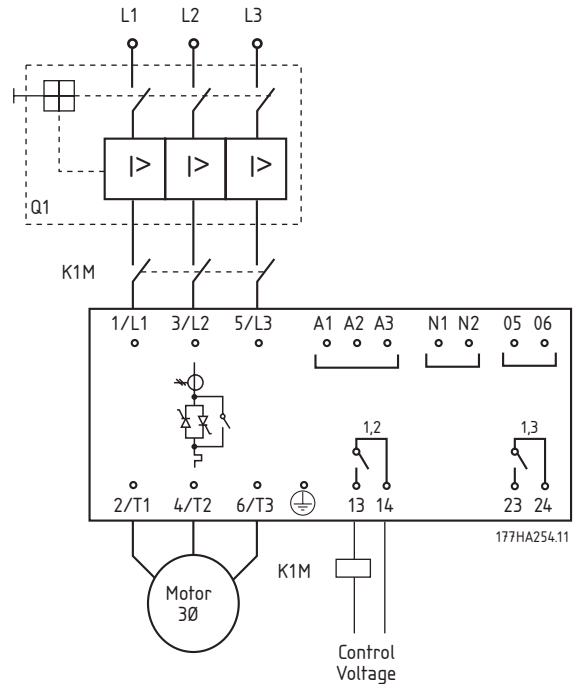


- 1 6 A @ 30 VDC resistive / 2 A 400 VAC AC11
- 2 Main Contactor



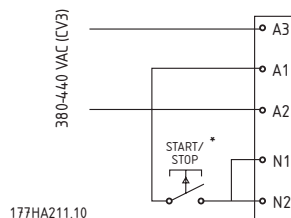
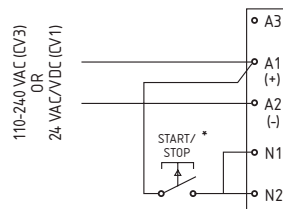
- 3 Auxiliary Relay Function = Trip (see parameter 8)

Example 2 – MCD 202 installed with system protection circuit breaker and line contactor.



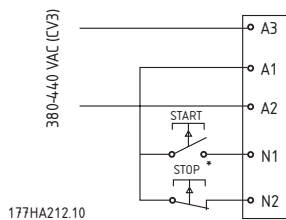
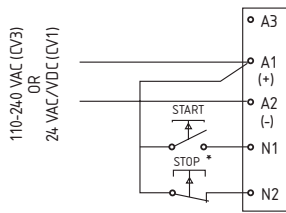
■ Control Circuits

2 Wire Control



* Also resets the MCD 202

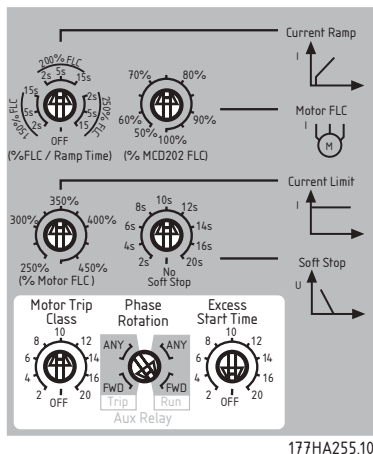
3 Wire Control



177HA212.10

* Also resets the MCD 202

■ Functionality User Adjustments



177HA255.10

1 Motor FLC

Value:

50% - 100% MCD 202 FLC ★ 100%

Function:

Calibrates the MCD 202 for the Full Load Current of the motor.

Description of choice:

95% = $\frac{95 \text{ A}}{100 \text{ A}} =$

2 Current Limit

Value:

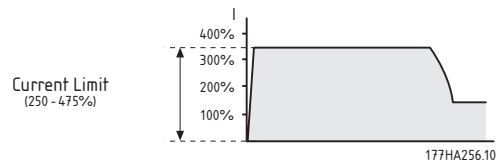
250% - 475% Motor FLC ★ 350%

Function:

Sets the desired starting current limit.

Description of choice:

The current limit should be set so that the motor accelerates easily to full speed.



NOTE

Start current must be great enough to allow the motor to produce sufficient torque to accelerate the connected load. The minimum current required to do this is dependent on motor design and load torque requirements.

3 Current Ramp

Value:

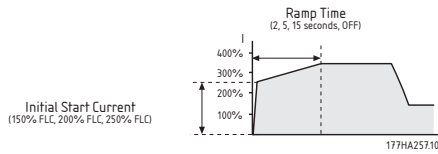
150% Motor FLC (2, 5 or 15 seconds) ★ Off
200% Motor FLC (2, 5 or 15 seconds)
250% Motor FLC (2, 5 or 15 seconds)
Off

Function:

Sets the initial starting current and ramp time for the Current Ramp start mode.

Description of choice:

The Current Ramp start mode modifies the Current Limit start mode by adding an extended ramp.



Typically, the Current Ramp start mode would be used in two circumstances.

- For applications where start conditions vary between starts, the Current Ramp mode provides an optimum soft start regardless of motor loading, e.g. a conveyor that may start loaded or unloaded. In this case, make the following settings:
 - Set Parameter 2 **Current Limit** so that the motor can accelerate to full speed when fully loaded.
 - Set Parameter 3 **Current Ramp** so that:
 - the **Initial Start Current** allows the motor to accelerate when unloaded
 - the ramp time provides the desired starting performance
- On generator set supplies where a gradual increase in current is required to allow greater time for the generator set to respond to the increased loading. In this case, make the following settings:
 - Set Parameter 2 **Current Limit** as desired.
 - Set Parameter 3 **Current Ramp** so that:
 - the **Initial Start Current** is at a lower level than the **Current Limit**
 - the ramp time achieves the desired gradual draw of start current

4 Soft Stop Ramp Time

Value:

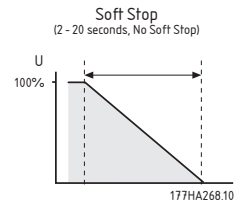
2 - 20 seconds, No Soft Stop ★ No Soft Stop

Function:

Sets the time of the soft stop voltage ramp. The soft stop function extends motor deceleration time by ramping down voltage supplied to the motor when a stop is initiated.

Description of choice:

Set the ramp time to optimize stopping characteristics for the load.



5 Motor Trip Class

Value:

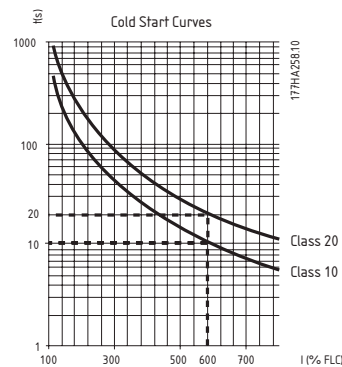
2 - 20, Off

★ 10

Function:

Calibrates the MCD 202 motor thermal model according to the desired motor trip class.

Description of choice:



6 Excess Start Time Protection

Value:

2 - 20 seconds, Off

★ 10 seconds

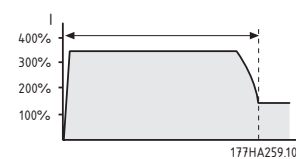
Function:

Sets the maximum allowable start time.

Description of choice:

Set for a period slightly longer than the normal motor starting time. The MCD 202 will then trip if the start time exceeds normal.

Excess Start Time Protection
(2 - 20 seconds, Off- no excess start time protection)



This provides early indication that the application conditions have changed or that the motor has

stalled. It can also protect the soft starter from being operated outside its rated start capability.



NOTE

Ensure the Excess Start Time protection setting is within the MCD 202 rated capability.

7 Phase Rotation Protection

Value:

ANY, FWD

★ ANY

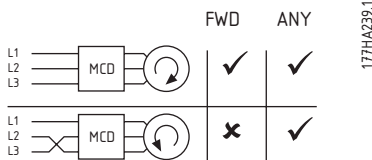
ANY = Forward & Reverse rotation permitted

FWD = Forward Rotation Only

Function:

Sets the allowable phase rotation sequence of the incoming supply.

Description of choice:



The MCD 202 itself is phase rotation-insensitive. This function allows motor rotation to be limited to one direction only. Set the protection according to application requirements.

8 Auxiliary Relay Function (Terminals 23, 24)

Value:

Trip, Run

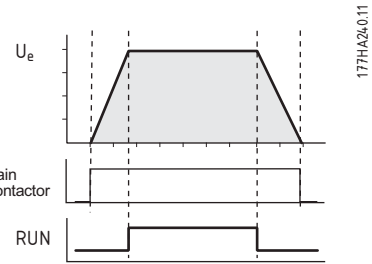
★ Trip

Function:

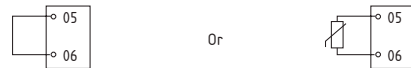
Sets the functionality of the Auxiliary Relay (Terminals 23,24).

Description of choice:

Set as required, using the combined Phase Rotation/Aux Relay adjustment.

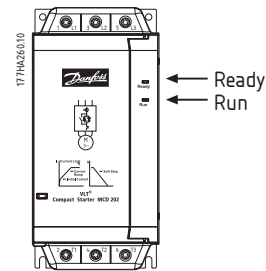


Motor Thermistor Protection









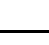
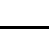

Motor thermistor cut-out value = 2.8 kΩ.

Indication



LED	OFF	ON	FLASH
Ready	No control power	Ready	Starter tripped
Run	Motor not running	Motor running at full speed	Motor starting or stopping

■ Fault Finding

Ready LED	Description
 x 1	Power Circuit Fault: Check line supply L1, L2 & L3, motor circuit T1, T2 & T3 and soft starter SCRs.
 x 2	Excess Start Time: Check load, increase start current or adjust Excess Start Time setting.
 x 3	Motor Overload: Allow motor to cool, reset soft starter and restart. (MCD 202 cannot be reset until motor has cooled adequately).
 x 4	Motor Thermistor: Check motor ventilation and thermistor connection 05 & 06. Allow motor to cool.
 x 5	Phase Imbalance: Check line current L1, L2 & L3.
 x 6	Supply Frequency: Check if supply frequency is in range
 x 7	Phase Rotation: Check for correct phase rotation.
 x 8	Network Comms Failure (between accessory module and network): Check network connections and settings.
 x 9	Starter Comms Failure (between starter and accessory module): Remove and refit accessory module.

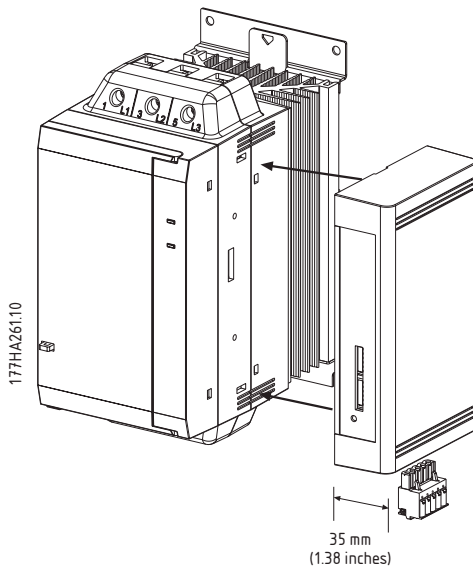
■ Accessories

■ Overview

The following optional accessory items are available for use with MCD 200 soft starters:

- MCD 200 Remote Operator (Order Code 175G9004)
- MCD 200 Modbus Module (Order Code 175G9000)
- MCD 200 Profibus Module (Order Code 175G9001)
- MCD 200 DeviceNet Module (Order Code 175G9002)
- MCD 200 AS-i Module (Order Code 175G9003)
- MCD PC Software

Accessory items are integrated with the MCD 200 soft starters by means of a plug-in module as shown below.



Control power and line supply must be removed from the MCD 200 before attachment or removal of accessory modules. Failure to do so may result in equipment damage.

■ MCD 200 Remote Operator

Order Code: 175G9004

The Danfoss Remote Operator can be used with MCD 201, MCD 202 and MCD 3000 to provide the following functionality.

Feature	MCD 201	MCD 202	MCD 3000
Pushbutton Control (Start, Stop, Reset)	•	•	•
Starter Status LEDs (Starting, Running, Tripped)	•	•	•
Motor Current Display		•	•
Motor Temperature Display		•	•
Trip Code Display	•	•	•
4-20 mA Output (Motor Current)		•	•

See the Remote Operator Operating Instructions for further details.

■ MCD 200 Modbus Module

Order Code: 175G9000

The Modbus Module supports Modbus RTU and AP ASCII. See the Modbus Module Operating Instructions for further details.

■ MCD 200 Profibus Module

Order Code: 175G9001

The Profibus Module can be used with MCD 200 soft starters for control and monitoring via a Profibus network. See the Profibus Module Operating Instructions for further details.

■ MCD 200 DeviceNet Module

Order Code: 175G9002

The DeviceNet Module can be used with MCD 200 soft starters for control and monitoring via a DeviceNet network. See the DeviceNet Module Operating Instructions for further details.

■ MCD 200 AS-i Module

Order Code: 175G9003

Under development.

■ MCD PC Software

The Danfoss MCD PC Software can be used with MCD 201, MCD 202 and MCD 3000 to provide the following functionality for networks of up to 99 soft starters.

Feature	MCD 201	MCD 202	MCD 3000
Operational Control (Start, Stop, Reset, Quick Stop)	•	•	•
Status Monitoring (Ready, Starting, Running, Stopping, Tripped)	•	•	•
Performance Monitoring (Motor Current, Motor Temperature)		•	•
Upload Parameter Settings			•
Download Parameter Settings			•

Additionally, each MCD 200 soft starter connected to the network must be fitted with a Modbus Module (175G9000) or a Remote Operator (175G9004). See the PC Software Operating Instructions for further details.

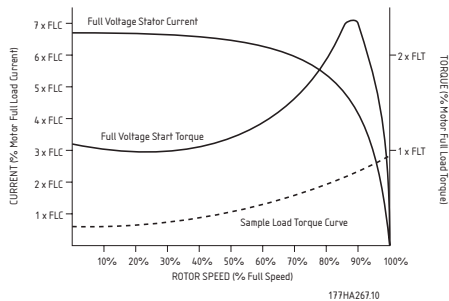
■ Soft Start Application Guide

■ Application Guide

This section provides data useful in the selection and application of soft starters.

■ Reduced Voltage Starting

When started under full voltage conditions, AC induction motors initially draw locked rotor current (LRC) and produce locked rotor torque (LRT). As the motor accelerates, the current falls and the torque increases to breakdown torque before falling to full-speed levels. Both the magnitude and shape of the current and torque curves are dependent on motor design.



Motors with almost identical full speed characteristics often vary significantly in their starting capabilities. Locked rotor currents range from as low as 500%, to in excess of 900% of motor FLC. Locked rotor torques range from as low as 70%, to highs of around 230% of motor full load torque (FLT).

The motor's full voltage current and torque characteristics set the limits for what can be achieved with a reduced voltage starter. For installations in which either minimizing start current or maximizing start torque is critical, it is important to ensure that a motor with low LRC and high LRT characteristics is used. When a reduced voltage starter is used, motor start torque is reduced according to the following formula:

$$T_{ST} = LRT \times \left(\frac{I_{ST}}{LRC} \right)^2$$

T_{ST} = Start torque

I_{ST} = Start current

LRC = Motor Locked Rotor Current

LRT = Motor Locked Rotor Torque

Start current can be reduced only to the point where the resulting start torque still exceeds the torque required by the load. Below this point, motor acceleration will cease and the motor/load will not reach full speed.

The most common reduced voltage starters are:

- Star/Delta starters
- Auto-transformer starters
- Primary resistance starters
- Soft starters

Star/Delta starting is the cheapest form of reduced voltage starting, however performance is limited.

The two most significant limitations are:

1. There is no control over the level of current and torque reduction; these are fixed at one-third of the full voltage levels.
2. There are normally large current and torque transients as the starter changes from star to delta. This causes mechanical and electrical stress often resulting in damage. The transients occur because as the motor is spinning and then disconnected from the supply, it acts as a generator with output voltage which may be at the same amplitude as the supply. This voltage is still present when the motor is reconnected in delta configuration, and can be exactly out of phase. The result is a current of up to twice locked rotor current and four times locked rotor torque.

Auto-transformer starting offers more control than the star/delta method, however voltage is still applied in steps.

Limitations of auto-transformer starting include:

1. Torque transients caused by switching between voltages.
2. Limited number of output voltage taps restricts the ability to closely select the ideal starting current.
3. High price for models suitable for frequent or extended starting conditions.
4. Cannot provide an effective reduced voltage start for loads with varying start requirements. For instance, a material conveyor may start loaded or unloaded. The auto-transformer starter can only be optimized for one condition.

Primary resistance starters also provide greater starting control than star/delta starters. However, they do have a number of characteristics that reduce their effectiveness.

These include:

1. Difficult to optimize start performance when commissioning because the resistance value must be calculated when the starter is manufactured, and is not easily changed later.
2. Poor performance in frequent starting situations because the resistance value changes as heat is generated in the resistors during a start. A long cool-down period is required between starts.
3. Poor performance for heavy-duty or extended starts because heat build-up in the resistors changes the resistance value.
4. Cannot provide an effective reduced voltage start for loads with varying start requirements.

Soft starters are the most advanced of the reduced voltage starters. They offer superior control over current and torque as well as incorporating advanced motor protection and interface features.

The main starting advantages soft starters offer are:

1. Simple and flexible control over starting current and torque.
2. Smooth control of voltage and current, free from steps or transitions.
3. Capable of frequent starting.
4. Capable of handling changing start conditions.
5. Soft stop control to extend motor deceleration times.
6. Braking control to reduce motor deceleration times.

■ Types of Soft Start Control

The term "soft start" is applied to a range of technologies. These technologies all relate to motor starting but there are significant differences in the methods used and the benefits available.

Some of the key differences are described below.

Control philosophy: Soft starters can generally be divided into two groups.

- Timed Voltage Ramp (TVR) systems
- Current-controlled systems

TVR starters control voltage applied to the motor in a preset manner and receive no feedback on motor starting current. Control of start performance is provided to the users through settings such as Initial Voltage and Ramp-up time. Soft Stop is

also commonly available and provides the ability to extend motor stopping times.

Current-controlled soft starters monitor motor current and use this feedback to adjust voltage so that user-specified starting current is maintained. Soft Stop is also provided, as is a range of motor protection functions.

Power assemblies: Soft starters can provide control of one, two or all three phases.

Single-phase controllers remove the torque shock associated with motor starting but provide no significant current reduction. They must be used with a line contactor and motor overload. They are suitable for very small motors and should only be applied to light applications with low to medium start frequency.

Two-phase controllers control two phases while the third phase is uncontrolled. These controllers provide soft start and current reduction. Care should be taken to ensure that the control algorithms of two-phase controllers balance the output waveform in order to provide a symmetrical waveform. Basic two-phase controllers subject the motor to an asymmetrical output waveform which creates a DC field in the motor. This stationary DC field increases the required start current and increases motor heating. Such unbalanced controllers should not be applied to high inertia loads or in situations with high start frequencies. Three-phase controllers control all phases and are best suited for very large motors.

External or internal bypass connection: The SCRs in a soft starter can be bypassed once the motor is up to speed. This reduces heat generation and prevents damage to the SCR from overcurrent or overvoltage events that occur while the motor is running. Some soft starters include built-in bypass contactors while others provide terminals for connection of an external bypass contactor.

■ Understanding Soft Starter Ratings

The maximum rating of a soft starter is calculated so the junction temperature of the power modules (SCRs) does not exceed 257 °F (125 °C). Five operating parameters affect the SCR junction temperature: *Motor Current, Start Current, Start Duration, Number of Starts Per Hour, Off Time*. The full rating of a particular soft start model must account for all these parameters. A current rating on its own is not sufficient to describe the capability of a soft starter.

IEC 60947-4-2 details the AC53 utilization categories for describing a soft starter's ratings.

There are two AC53 codes:

1. AC53a: for soft starters used without bypass contactors.

For example, the following AC53a code describes a soft starter capable of supplying a 256 A run current and a start current of 4.5 x FLC for 30 seconds 10 times per hour where the motor runs for 70% of each operating cycle (operating cycle = 60 minutes / starts per hour).

256 A: AC-53a 4.5-30 : 70-10

- **Starter Current Rating:** Maximum FLC rating of the motor to be connected to the soft starter given the operating parameters specified by the remaining items in the AC53a code.
- **Start Current:** The maximum start current that will be drawn during start.
- **Start Time:** The time taken for the motor to accelerate.
- **On-load Duty Cycle:** The percentage of each operating cycle that the soft starter will run.
- **Starts Per Hour:** The number of operating cycles per hour.

2. AC53b: for soft starters used with bypass contactors.

For example, the following AC53b code describes a soft starter which, when bypassed, is capable of supplying 145 A run current and a start current of 4.5 x FLC for 30 seconds with a minimum of 570 seconds between the end of one start and the commencement of the next.

145 A: AC-53b 4.5-30 : 570

In summary, a soft starter has many current ratings. These current ratings are dependent on the start current and operational performance required by the application.

To compare the current rating of different soft starters, it is important to ensure that operating parameters are identical.

■ Model Selection



NOTE

To fully understand the model selection procedures, it is important to have a good knowledge of the fundamental principles of soft starter ratings. See *Understanding Soft Starter Ratings*.

To select the correct MCD 200 model:

1. Determine whether the application requires a normal duty or a heavy duty rating. The table below can be used as a guide.
2. See the tables in *Ratings* and select an MCD 200 model with an FLC rating greater than that of the motor.

Application	Duty
General & Water	
Agitator	Normal
Centrifugal Pump	Normal
Compressor (Screw, unloaded)	Normal
Compressor (Reciprocating, unloaded)	Normal
Conveyor	Normal
Fan (damped)	Normal
Fan (undamped)	Heavy
Mixer	Heavy
Positive Displacement Pump	Normal
Submersible Pump	Normal
Metals & Mining	
Belt Conveyor	Heavy
Dust Collector	Normal
Grinder	Normal
Hammer Mill	Heavy
Rock Crusher	Normal
Roller Conveyor	Normal
Roller Mill	Heavy
Tumbler	Normal
Wire Draw Machine	Heavy
Food Processing	
Bottle Washer	Normal
Centrifuge	Normal
Dryer	Heavy
Mill	Heavy
Palletizer	Heavy
Separator	Heavy
Slicer	Normal
Pulp and Paper	
Dryer	Heavy
Re-pulper	Heavy
Shredder	Heavy
Petrochemical	
Ball Mill	Heavy
Centrifuge	Normal
Extruder	Heavy
Screw Conveyor	Normal
Transport & Machine Tool	
Ball Mill	Heavy
Grinder	Normal
Material Conveyor	Normal
Palletizer	Heavy
Press	Normal
Roller Mill	Heavy
Rotary Table	Normal
Lumber & Wood products	
Bandsaw	Heavy
Chipper	Heavy
Circular Saw	Normal
Debarker	Normal
Edger	Normal
Hydraulic Power Pack	Normal
Planer	Normal
Sander	Normal






NOTE

The above start current requirements are typical and appropriate in most circumstances. However, start torque requirements and performance of motors and machines do vary. Please contact Danfoss if the application requires duties other than those listed in this manual.

■ Typical Applications

MCD 200 soft starters can offer benefits for almost all motor starting applications. Typical advantages are highlighted in the table below.

Application	Benefits
Pumps 	<ul style="list-style-type: none"> Minimized hydraulic shock in pipelines during start and stop. Reduced starting current. Minimized mechanical stress on motor shaft. Phase rotation protection prevents damage from reverse pump rotation.
Conveyor Belts 	<ul style="list-style-type: none"> Controlled soft start without mechanical shocks, e.g. bottles on a belt do not fall over during starting, minimized belt stretch, reduced counterbalance stress. Controlled stop without mechanical shocks. Soft stop. Optimum soft start performance even with varying starting loads, e.g. coal conveyors started loaded or unloaded. Extended mechanical lifetime. Maintenance-free.
Centrifuges 	<ul style="list-style-type: none"> Smooth application of torque prevents mechanical stress. Reduced starting times over star/delta starting.
Ski Lifts 	<ul style="list-style-type: none"> Jerk-free acceleration increases skier comfort and prevents swinging T-bars, etc. Reduced starting current allows starting of large motors on a weak power supply. Smooth and gradual acceleration whether the ski lift is lightly or heavily loaded. Phase rotation protection prevents operation in reverse direction.

Application	Benefits
Compressors 	<ul style="list-style-type: none"> • Reduced mechanical shock extends the life of the compressor, couplings and motor. • Limited start current enables large compressors to be started when maximum power capacity is limited. • Phase rotation protection prevents operation in reverse direction.
Fans 	<ul style="list-style-type: none"> • Extended coupling life through reduced mechanical shock. • Reduced start current enables large fans to be started when maximum power capacity is limited. • Phase rotation protection prevents operation in reverse direction.
Mixers 	<ul style="list-style-type: none"> • Gentle rotation during startup reduces mechanical stress. • The starting current is reduced.

■ **Power Factor Correction**

If a soft starter is used with static power factor correction, it must be connected to the supply side of the starter.



Connecting power factor correction capacitors to the output of the soft starter will result in damage to the soft starter.



www.danfoss.com/drives

Danfoss can accept no responsibility for possible errors in catalogues, brochures and other printed material. Danfoss reserves the right to alter its products without notice. This also applies to products already on order provided that such alterations can be made without subsequential changes being necessary in specifications already agreed. All trademarks in this material are property of the respective companies. Danfoss and the Danfoss logotype are trademarks of Danfoss A/S. All rights reserved.

