



REFRIGERATION AND
AIR CONDITIONING

Instructions

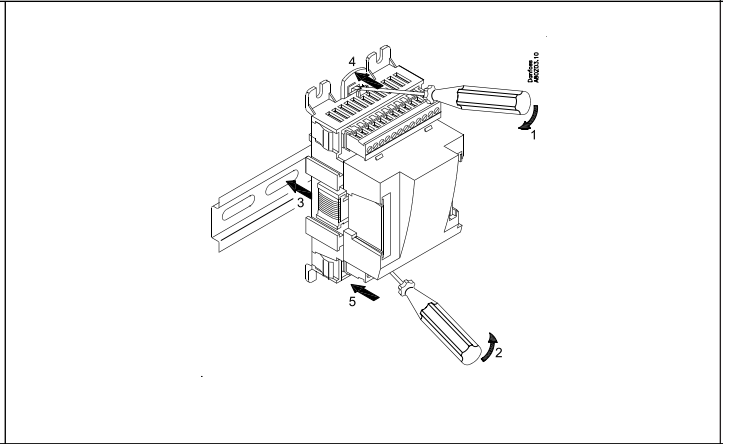
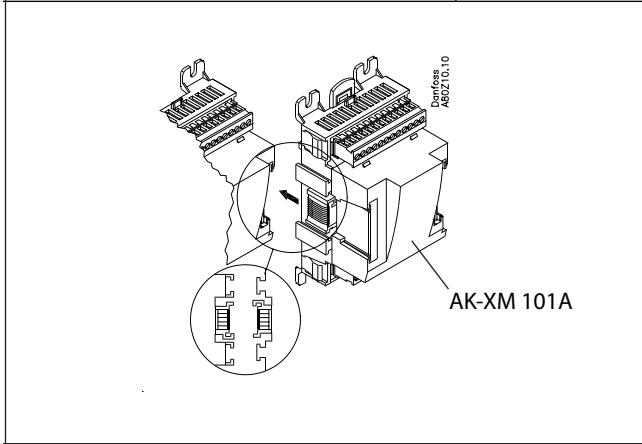
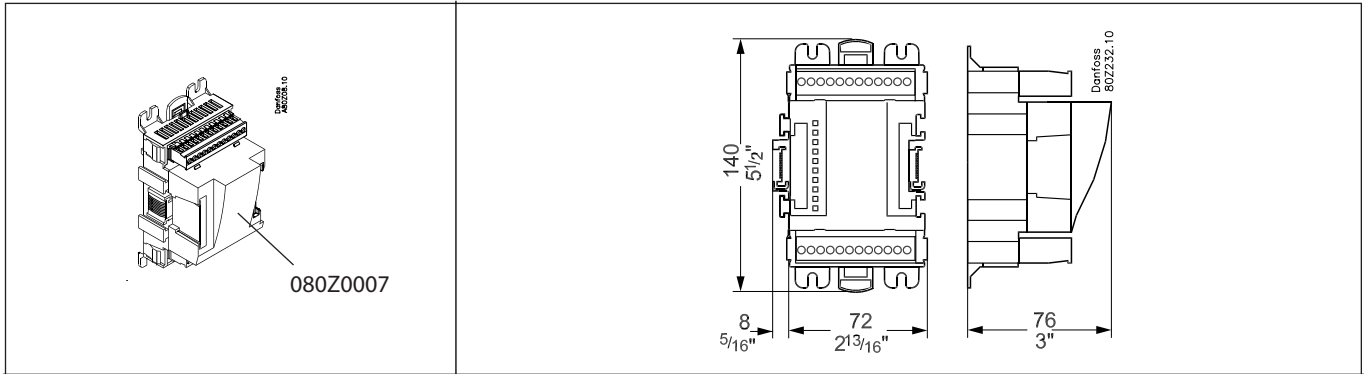
AK-XM 101A



080R9212

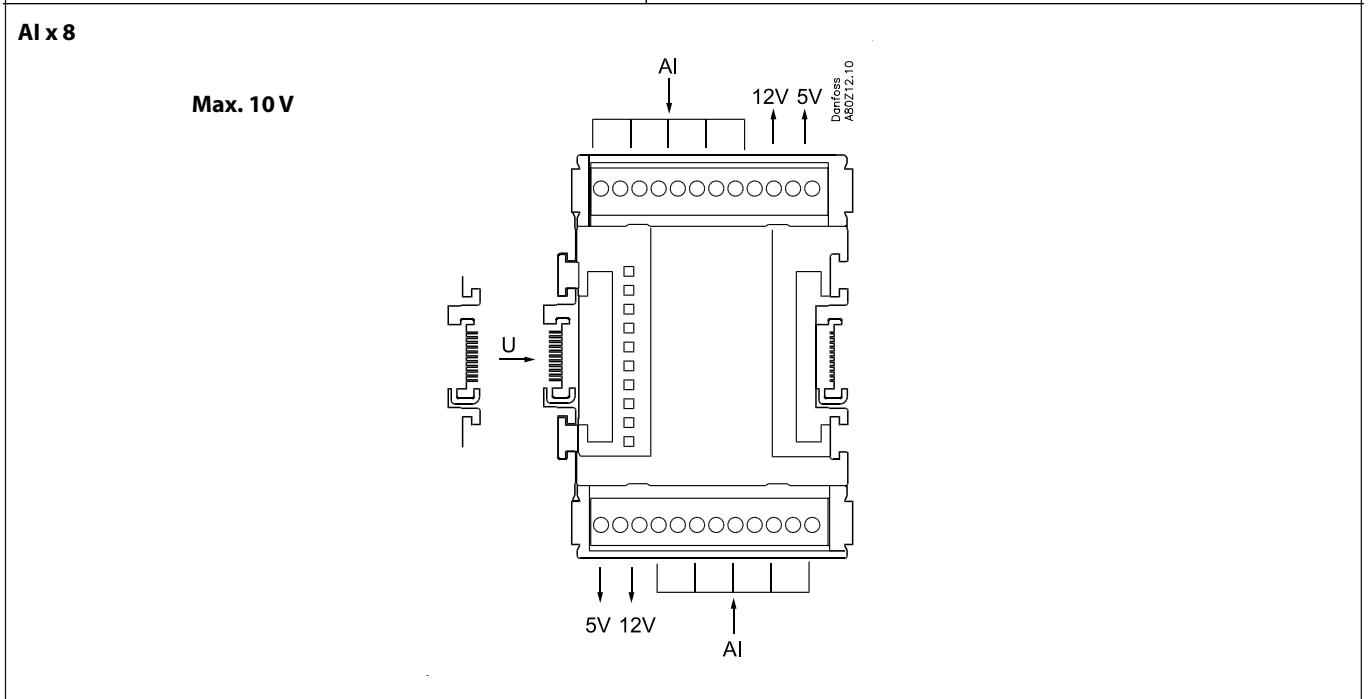


RI8HF502



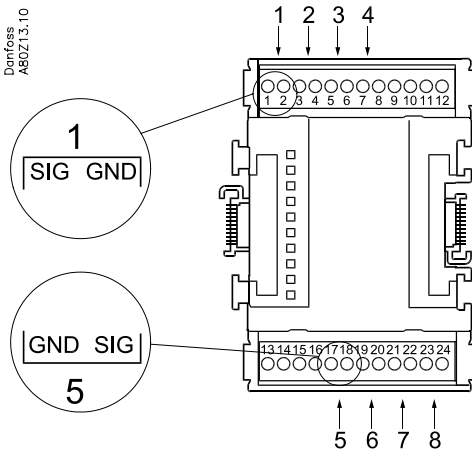
CE
 $-20^{\circ} < t_{amb} < 55^{\circ}C$
 $-0^{\circ}F < t_{amb} < 130^{\circ}F$
 0 - 95% RH, non condensing
 IP10 / VBG4
 UL: E357029

Warning
 Ensure power is disconnected before adding or removing Modules



Point

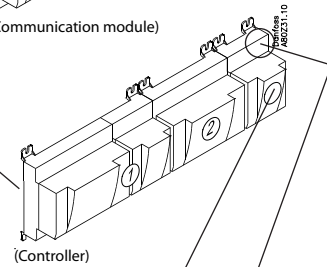
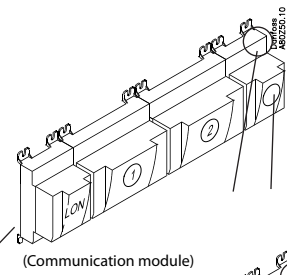
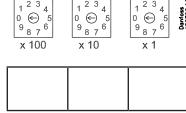
Denfoss
AB027.1.3.10



- Terminal 9: 12V
- Terminal 10: 5V
- Terminal 15: 5V
- Terminal 16: 12V
- Terminal 11, 12, 13, 14:

| | Signal | Signal type |
|--|--|---|
| S (sensor) Pt 1000 ohm/0°C | S1 S2 Saux1 Saux2 SSA SdA | Pt 1000 |
| P (pressure) AKS 32R AKS 32 | P0A P0B PcA PcB | AKS 32R AKS 2050 MBS 8250 -1 - xx bar AKS 32 -1 - zz bar |
| U (voltage) | ... | 0 - 5V 0 - 10V |
| On/Off | Ext. Main switch Day/Night Door | Active at: Closed / Open |

Address



| Signal | Signal type / Active at | Module | Point | Terminals |
|--------|-------------------------|--------|----------|-----------|
| | | | 1 (AI 1) | 1 - 2 |
| | | | 2 (AI 2) | 3 - 4 |
| | | | 3 (AI 3) | 5 - 6 |
| | | | 4 (AI 4) | 7 - 8 |
| | | | 5 (AI 5) | 17 - 18 |
| | | | 6 (AI 6) | 19 - 20 |
| | | | 7 (AI 7) | 21 - 22 |
| | | | 8 (AI 8) | 23 - 24 |

The Product contains electrical components And may not be disposed together with domestic waste. Equipment must be separate collected with Electrical and Electronic waste. According to Local and currently valid legislation.