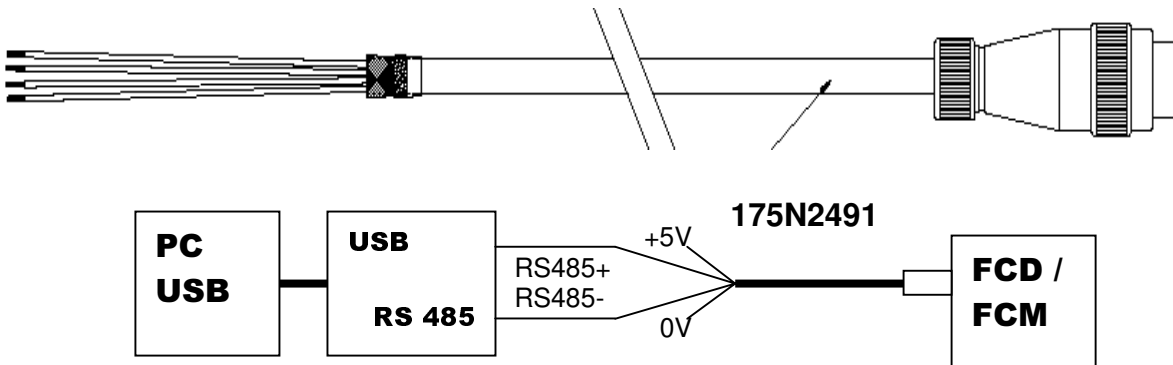


Data Cable Instruction



Data Cable 175N2491

V - Red	+ 5 V
P - Yellow	RS 485 (+)
N - Green	RS 485 (-)
G - Blue	0 V

Datenkabel 175N2491

V - Rot	+ 5 V
P - Gelb	RS 485 (+)
N - Grün	RS 485 (-)
G - Blau	0 V

Câble de données 175N2491

V - Rouge	+ 5 V
P - Jaune	RS 485 (+)
N - Verte	RS 485 (-)
G - Bleue	0 V

Danfoss can accept no responsibility for possible errors in catalogues, brochures and other printed material. Danfoss reserves the right to alter its products without notice. This also applies to products already on order provided that such alterations can be made without subsequential changes being necessary in specifications already agreed. All trademarks in this material are property of the respective companies. Danfoss and the Danfoss logotype are trademarks of Danfoss A/S. All rights reserved.

