



REFRIGERATION AND  
AIR CONDITIONING

# Instructions

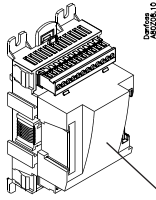
## AK-XM 102A



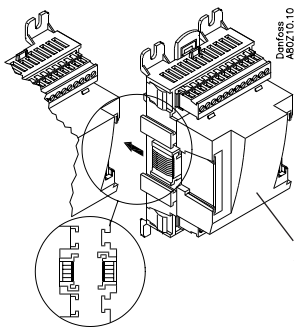
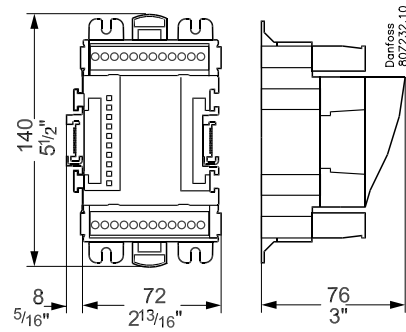
080R9213



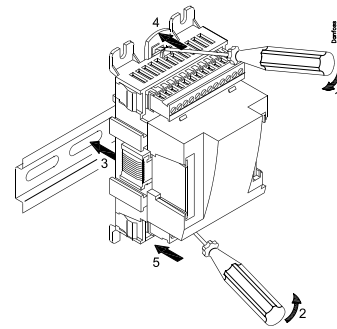
RI8HG502



080Z0008



AK-XM 102A



CE

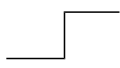
-20° <math>t\_{amb}</math> <math>< 55^{\circ}\text{C}</math>  
-0° <math>F < t\_{amb}</math> <math>< 130^{\circ}\text{F}</math>  
0 - 95% RH, non condensing  
IP10 / VBG4  
UL: E357029



### Warning

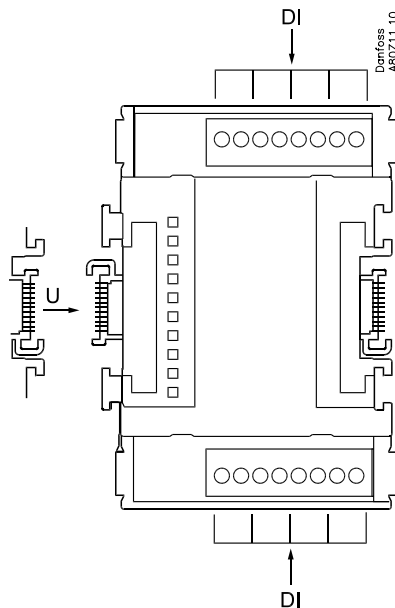
Ensure power is disconnected before adding or removing Modules

DI x 8

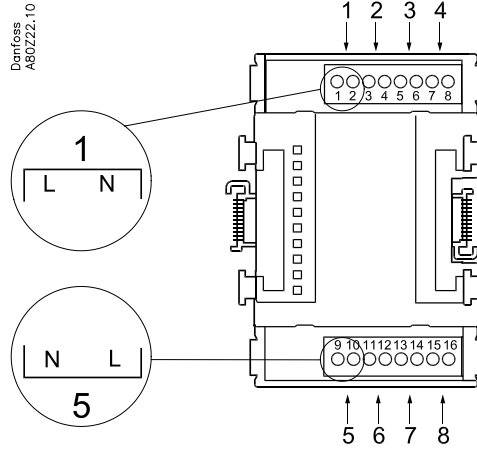


24 V

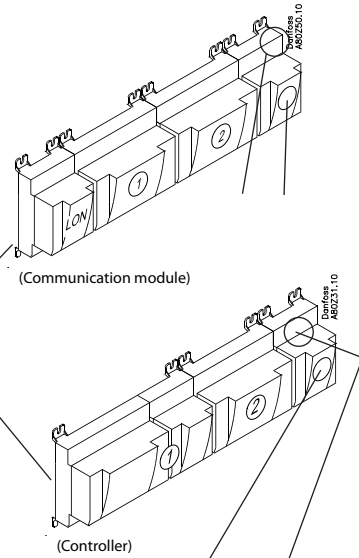
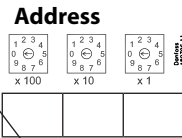
On/Off:  
On: DI > 10 V a.c. / d.c.  
Off: DI < 2 V a.c. / d.c.



**Point**



	Signal	Active at
	Ext.Main Switch	<b>Closed</b> (voltage on)
	Day/Night	/
	Comp. Safety 1	<b>Open</b> (voltage off)
	Comp. Safety 2	



Signal	Active at	Module	Point	Terminals
			1 (DI 1)	1 - 2
			2 (DI 2)	3 - 4
			3 (DI 3)	5 - 6
			4 (DI 4)	7 - 8
			5 (DI 5)	9 - 10
			6 (DI 6)	11 - 12
			7 (DI 7)	13 - 14
			8 (DI 8)	15 - 16

The Product contains electrical components. And may not be disposed together with domestic waste. Equipment must be separate collected with Electrical and Electronic waste. According to Local and currently valid legislation.