

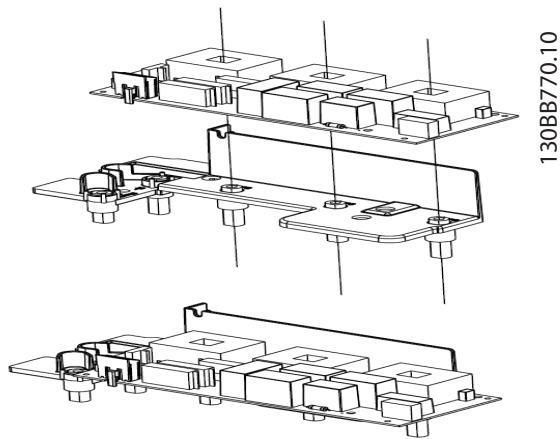
Instruction for Spare Part Kits for C1/C3 Enclosures

To improve quality, the current sensor card has been changed.

The following spare part numbers are affected.

130b1513
130b1894
130b1657
130b1896

As a consequence, a new busbar is added to the kit. The sensor card and busbar must be changed at the same time.



In case of any questions, please contact your local Danfoss office.



VLT[®] HVAC Drive, VLT[®] AQUA Drive, VLT[®] AutomationDrive

Danfoss can accept no responsibility for possible errors in catalogues, brochures and other printed material. Danfoss reserves the right to alter its products without notice. This also applies to products already on order provided that such alterations can be made without subsequential changes being necessary in specifications already agreed. All trademarks in this material are property of the respective companies. Danfoss and the Danfoss logotype are trademarks of Danfoss A/S. All rights reserved.

