

1. VACON 20 X - MAINS SWITCH INSTALLATION

1.1 MOUNTING INSTRUCTIONS

Document code: DPD01585A

1.1.1 QDSS MAINS SWITCH KIT

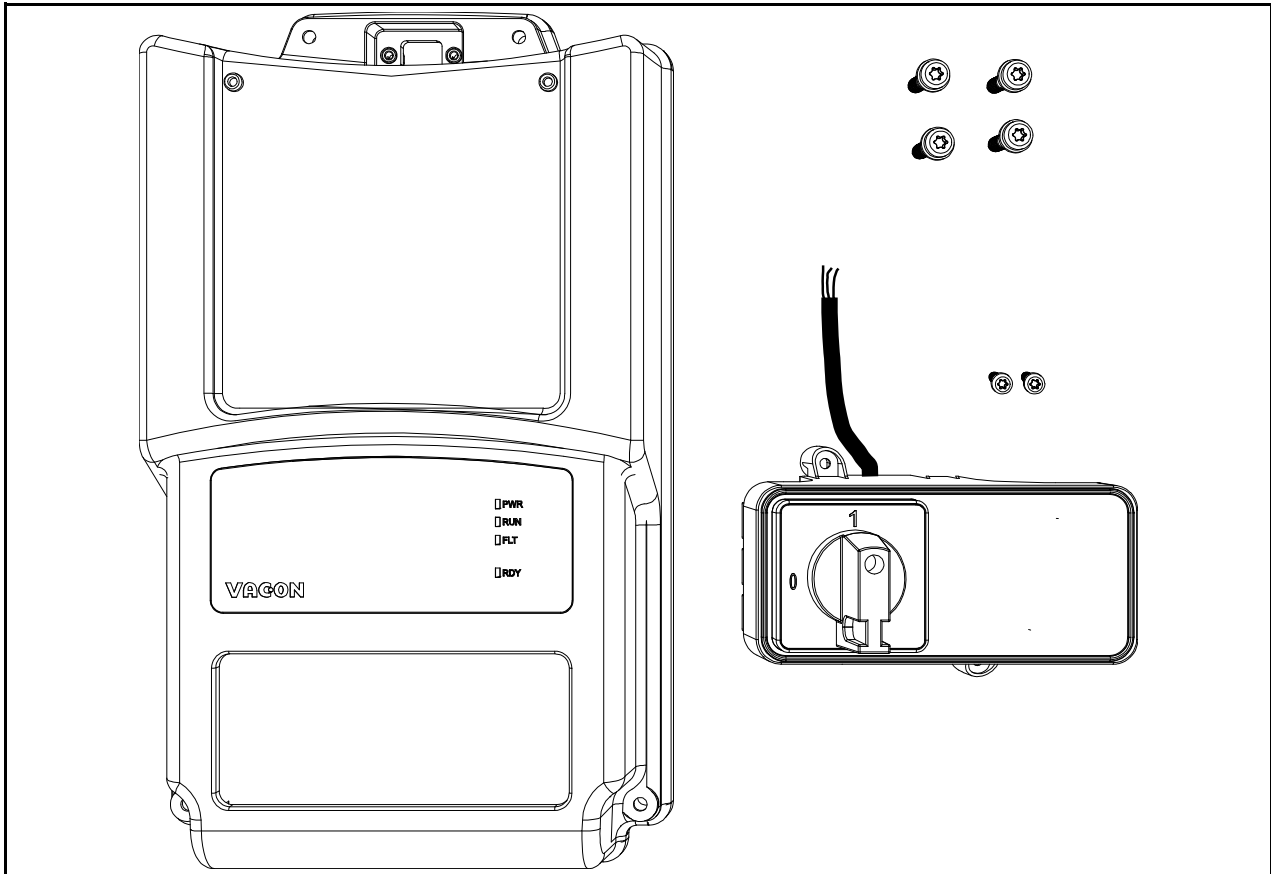


Figure 1. The mains switch option spare kit (MU2 example) .

| Frame size | Description and type code | Item | Quantity |
|------------|---------------------------------------|--------------------------------|----------|
| MU2 | MU2 QDSS option spare kit 60S01128 | Main switch 40A NLT40 assembly | 1 |
| | | MU2 cover for main switch | 1 |
| | | M4x14 screw | 2 |
| | | M5x23 screws | 4 |
| MU3 | MU3 QDSS option spare kit 60S01129 | Main switch 40A NLT40 assembly | 1 |
| | | MU3 cover for main switch | 1 |
| | | M4x14 screw | 2 |
| | | M5x23 screws | 6 |

Table 1. Mains switch kit content.

1.1.2 INSTALLATION

| | |
|----------|--|
| 1 | <ul style="list-style-type: none"> Remove the cover from the drive. See the Figure 2. |
|----------|--|

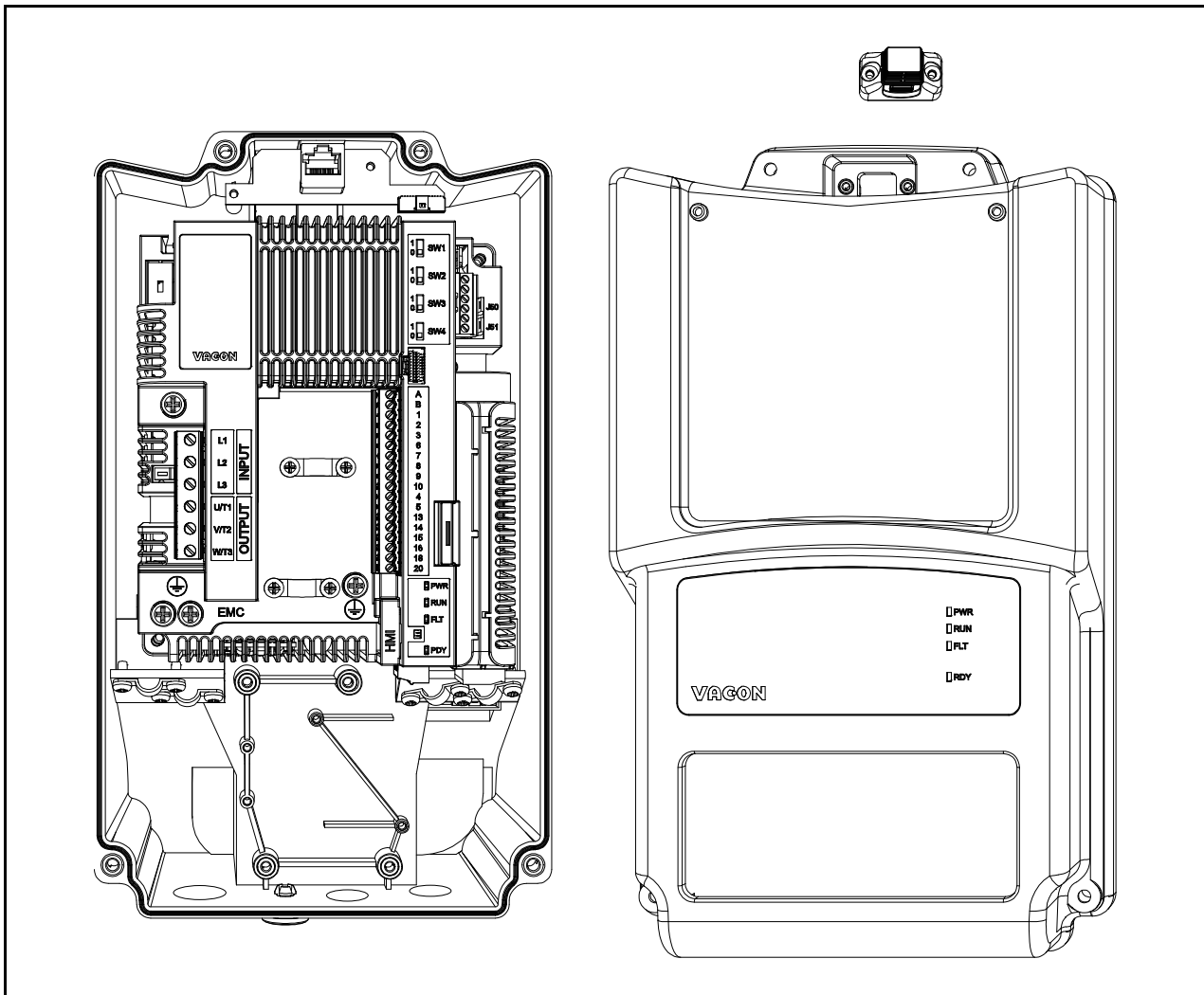


Figure 2. Cover open.

| | |
|----------|--|
| 2 | <ul style="list-style-type: none"> Open only the inlet holes where you need to run the cables. Cables pass through this inlet hole. |
| 3 | <ul style="list-style-type: none"> Connect the supply cable to the Mains switch passing through the cable gland from the bottom side (use the cable gland for sealing the cable to the drive) and then through the terminal box as shown in the figure below. |
| 4 | <ul style="list-style-type: none"> Place the Mains switch with the cables inside the drive and fix it with its screws. |
| 5 | <ul style="list-style-type: none"> Connect the cables from the Mains switch to the line terminal. The cables have to be connected to the terminals L1, L2 and L3. |
| 6 | <ul style="list-style-type: none"> Fix the cables with cable clamp. |

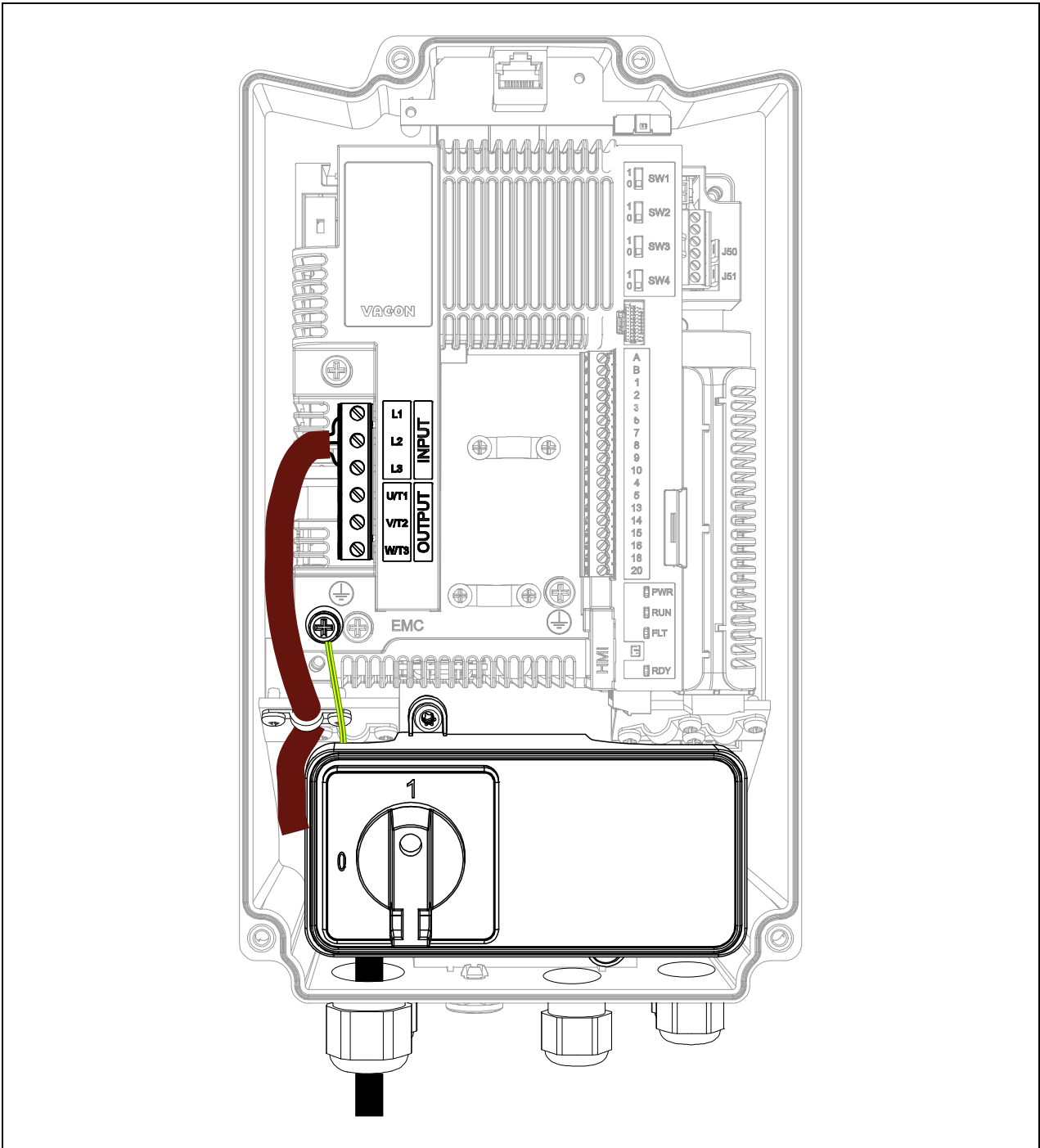


Figure 3. Mains switch and cables connected.

- | | |
|----------|--|
| 7 | <ul style="list-style-type: none"> • Connect the GROUND wire to the proper terminal (see the yellow-green cable on Figure 3). |
|----------|--|

8

- Mount the plastic cover onto the drive with its screws and the HMI cap: the installation process has been completed. See Figure 4.

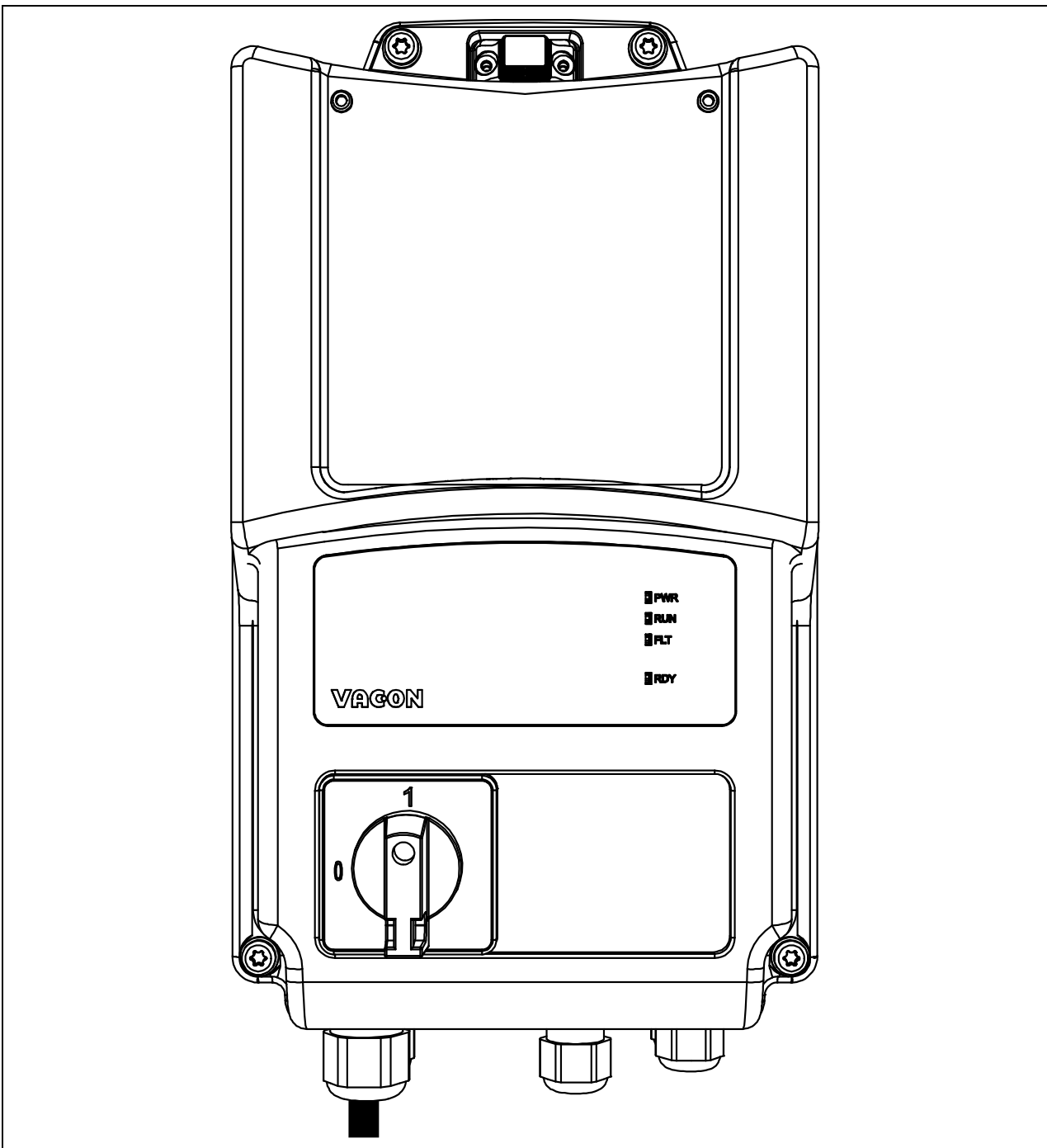


Figure 4. Mount the plastic cover.