

VACON[®] NX
AC DRIVES

**MOUNTING OF CABLE ACCESSORIES
FR4-FR8 AND MF4-MF6**

VACON[®]

TABLE OF CONTENTS

Document ID: DPD01422C

Document revision: C

Release date: 15.12.2017

| | |
|---|----------|
| 1. FR4-FR6 and MF4-MF6 cable accessories | 4 |
| 1.1 Accessories bag contents | 4 |
| 1.2 Mounting the accessories | 5 |
| 2. FR7 and FR8 cable accessories | 7 |
| 2.1 Accessories bag contents | 7 |
| 2.2 Mounting the accessories | 8 |

1. FR4-FR6 AND MF4-MF6 CABLE ACCESSORIES

Enclosed to your VACON® NX or NXL AC drive you have received a plastic bag containing components that are needed for the installation of the mains and motor cables in the AC drive.

1.1 ACCESSORIES BAG CONTENTS

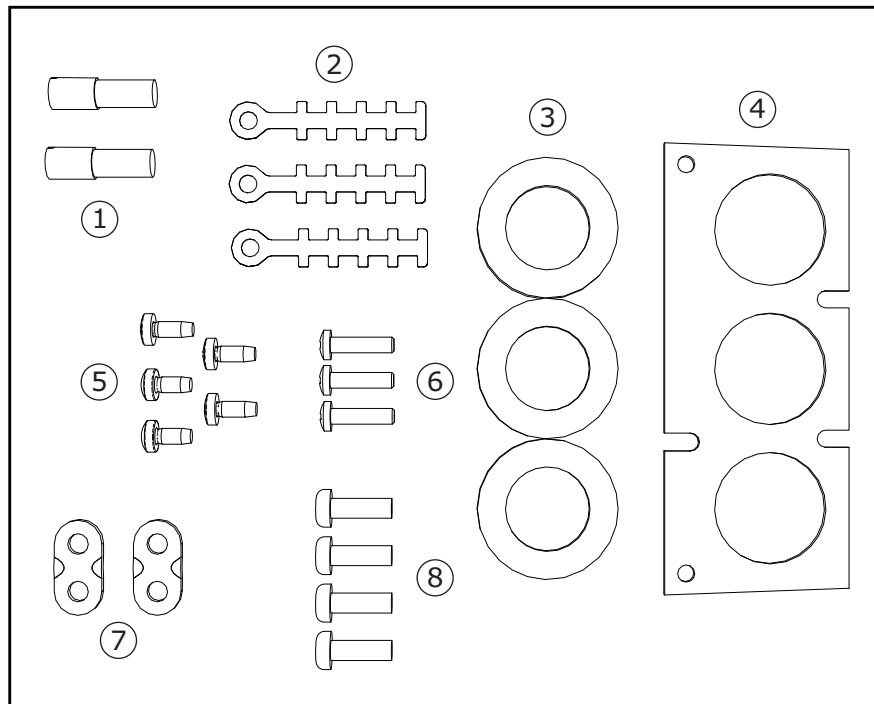


Figure 1. The cable accessories for FR4-FR6 and MF4-MF6

Components:

1. The grounding terminals (FR4, FR5/MF4, MF5), 2 pieces
2. The grounding clamps for control cable, 3 pieces
3. The rubber grommets (sizes vary from class to class), 3 pieces
4. The cable entry flange
5. Screws, M4x10, 5 pieces
6. Screws, M4x16, 3 pieces
7. The grounding clamps for grounding conductor (FR6, MF6), 2 pieces
8. The grounding screws M5x16 (FR6, MF6), 4 pieces

NOTE! The cable accessories installation kit for AC drives of protection class IP54 includes all components except 4 and 5.

1.2 MOUNTING THE ACCESSORIES

| | |
|---|---|
| 1 | Make sure that the plastic bag you have received contains all necessary components. |
| 2 | <p>Open the cover of the AC drive.</p> <div data-bbox="691 392 1051 896" data-label="Image"> </div> <p style="text-align: center;"><i>Figure 2.</i></p> |
| 3 | <p>Remove the cable cover. See the locations for:</p> <ol style="list-style-type: none"> 1. the grounding terminals (FR4/FR5; MF4/MF6). 2. the grounding clamps for grounding conductor (FR6/MF6). <div data-bbox="359 1142 1386 1545" data-label="Image"> </div> <p style="text-align: center;"><i>Figure 3.</i></p> |

4

Attach again the cable cover. Attach the grounding clamps for control cable with 3 pieces of M4x16 screws.

NOTE! The location of the grounding bar in FR6/MF6 is different from the picture.

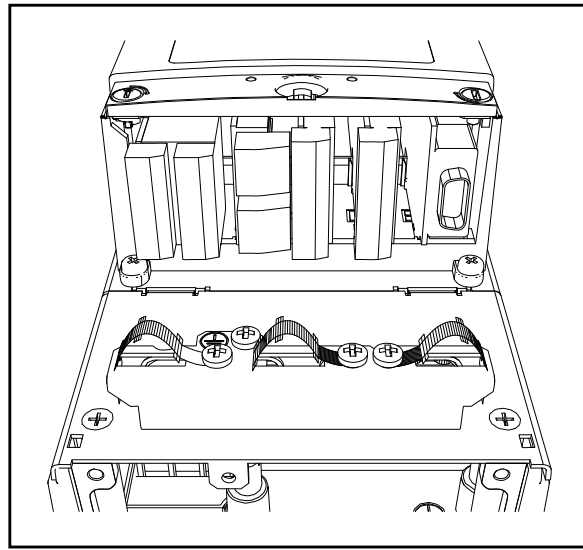


Figure 4.

5

Put the rubber grommets in the openings.

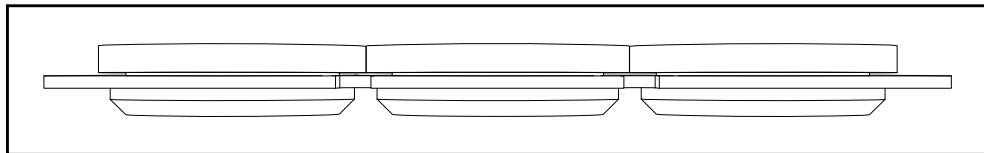


Figure 5.

6

Attach the cable entry flange to the frame of the AC drive with 5 pieces of M4x10 screws. Close the cover of the AC drive.

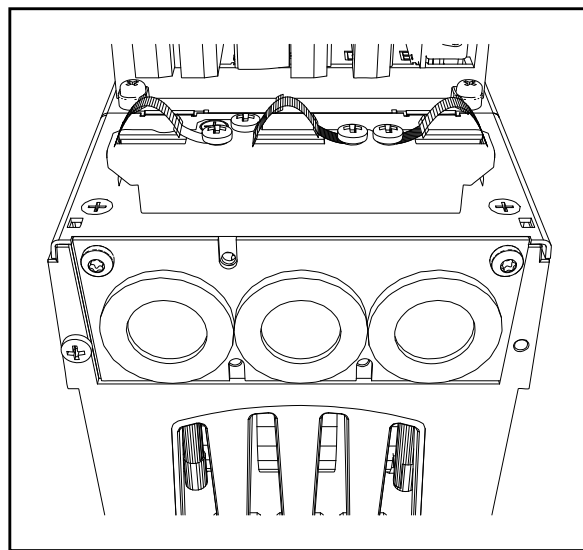


Figure 6.

2. FR7 AND FR8 CABLE ACCESSORIES

Enclosed to your VACON® NX AC drive you have received a plastic bag containing components that are needed for the installation of the mains and motor cables in the AC drive.

2.1 ACCESSORIES BAG CONTENTS

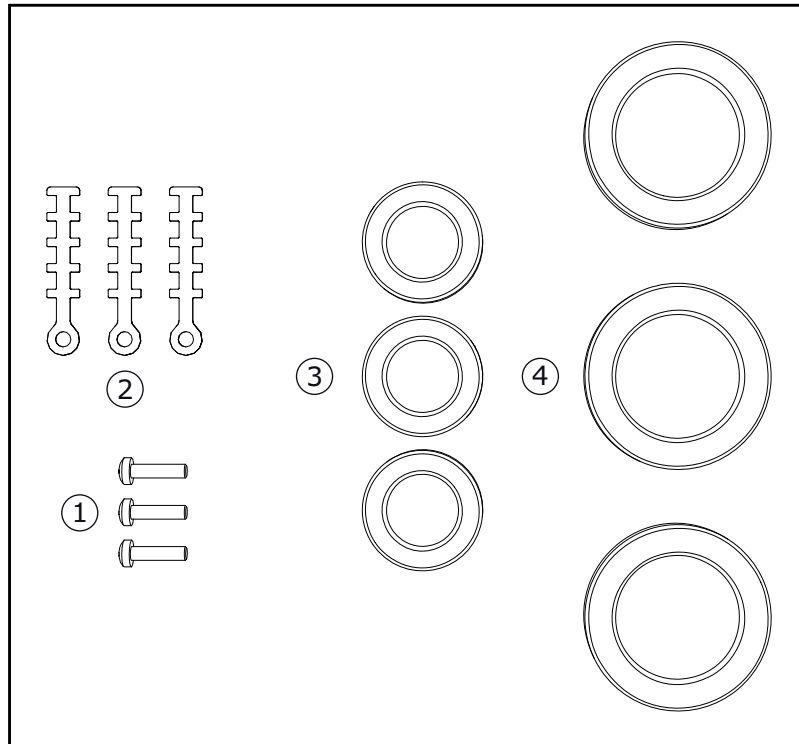


Figure 7. The cable accessories for FR7 and FR8

Components:

1. Screws, M4x16, 3 pieces
2. The grounding clamps for control cable, 3 pieces
3. The rubber grommets GD21 (FR7 IP54), 3 pieces / (FR8), 6 pieces
4. The rubber grommets GDM36 (FR7), 3 pieces

2.2 MOUNTING THE ACCESSORIES

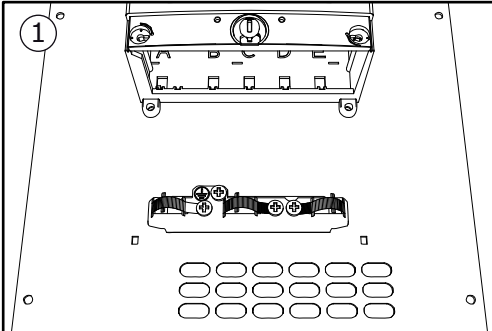
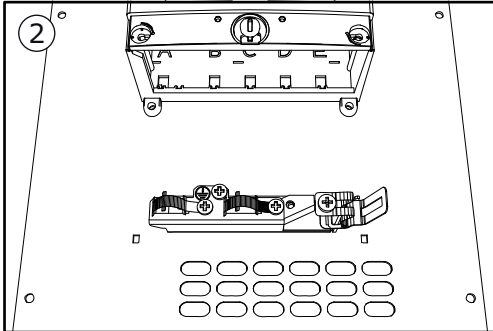
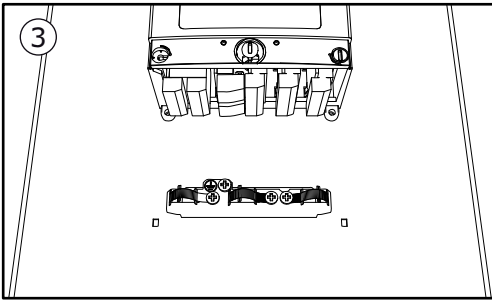
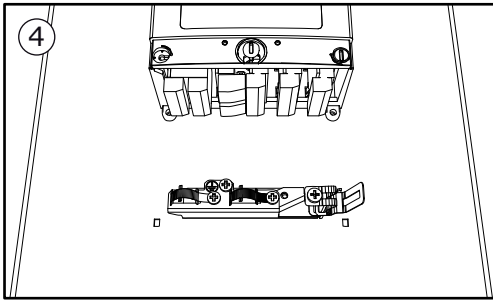
| | |
|----------|---|
| 1 | Make sure that the plastic bag you have received contains all necessary components. |
| 2 | Open the cover of the AC drive. |
| 3 | <p>Attach the grounding clamps for control cable on the grounding level with M4x16 screws:</p> <ol style="list-style-type: none"> 1. FR7 standard, 2. FR7 profibus, 3. FR8 standard, 4. FR8 profibus. <div style="display: flex; flex-wrap: wrap; justify-content: space-around;"> <div style="text-align: center;">  <p>1</p> </div> <div style="text-align: center;">  <p>2</p> </div> <div style="text-align: center;">  <p>3</p> </div> <div style="text-align: center;">  <p>4</p> </div> </div> |

Figure 8.

4

Put the rubber grommets in the openings:

1. FR7 IP21,
2. FR7 IP54,
3. FR8.

See also Figure 5 on page 6 for how to place the grommets correctly.

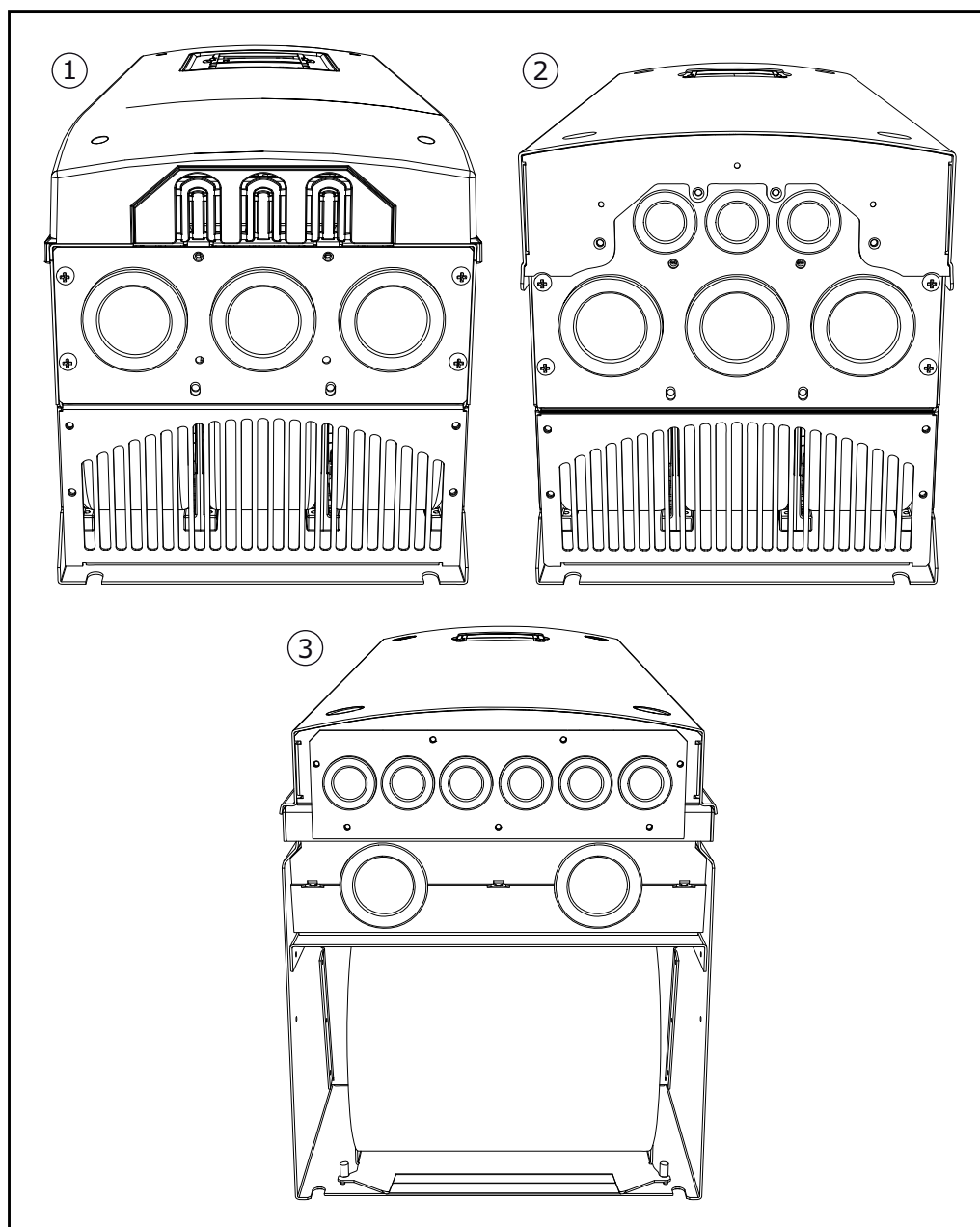


Figure 9.

5

Close the cover of the AC drive.

VACON[®]

www.danfoss.com

Vacon Ltd
Member of the Danfoss Group
Runsorintie 7
65380 Vaasa
Finland

Document ID:



DPD01422C

Rev. C