

Installation Instructions

VLT[®] Control Panel LCP 21 - RJ45 Converter Kit

Items Supplied

- Male LCP 21-RJ45 converter plug (1).
- Female LCP 21-RJ45 converter plug (1).
- Thread cutting screws (4).

More Items Required

- Local control panel (LCP 21), ordering number 132B0254.

Installation

1. Mount the male LCP 21-RJ45 converter plug on the frequency converter and fasten with 2 thread cutting screws, see *Illustration 1.1*.
2. Tighten the screws to 1.3 Nm (11.5 in-lb).

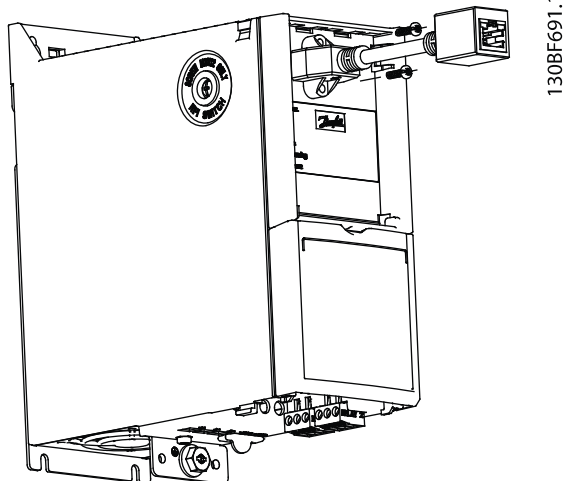


Illustration 1.1 Mounting the Male LCP 21-RJ45 Converter Plug

3. Mount the female LCP 21-RJ45 converter plug on the LCP 21 (local control panel), and fasten with 2 thread cutting screws, see *Illustration 1.2*.
4. Tighten the screws to 1.3 Nm (11.5 in-lb).

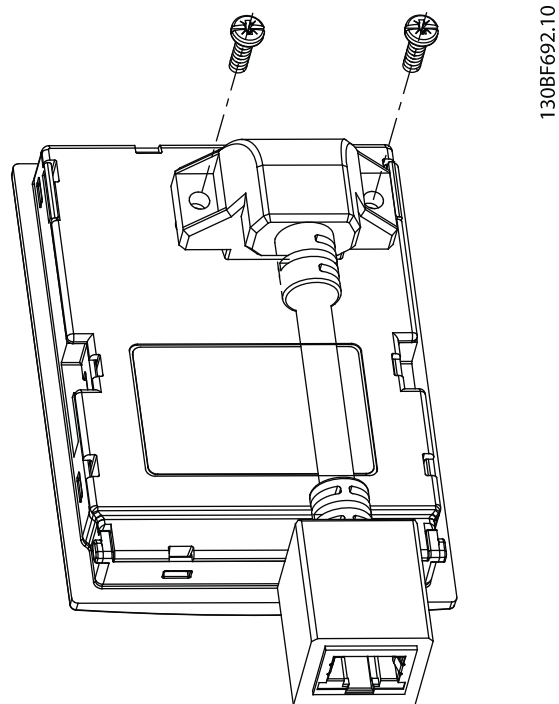


Illustration 1.2 Mounting the Female LCP 21-RJ45 Converter Plug

5. Connect the 2 LCP 21-RJ45 converter plugs with a shielded Ethernet cable, maximum 15 m (49.2 ft) long.

.....
Danfoss can accept no responsibility for possible errors in catalogues, brochures and other printed material. Danfoss reserves the right to alter its products without notice. This also applies to products already on order provided that such alterations can be made without subsequential changes being necessary in specifications already agreed. All trademarks in this material are property of the respective companies. Danfoss and the Danfoss logotype are trademarks of Danfoss A/S. All rights reserved.
.....

Danfoss A/S
Ulsnaes 1
DK-6300 Graasten
vlt-drives.danfoss.com

