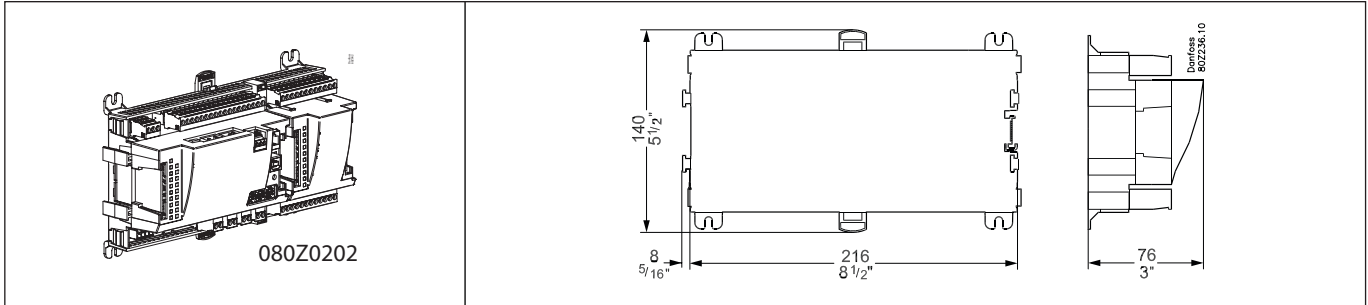


Installation Guide

Pack Controller, type **AK-PC 782B**
with USB-B

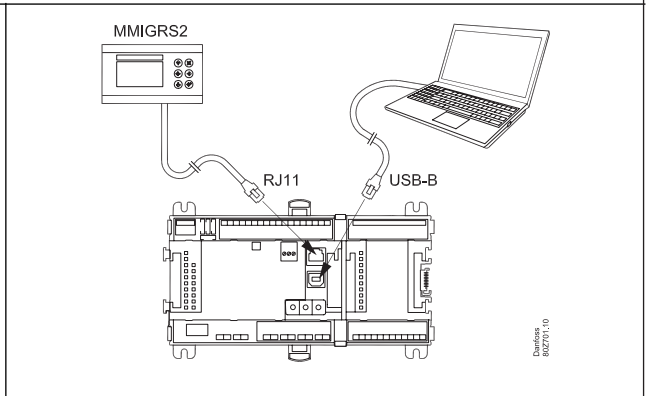


AN412826307589en-000201



CE
-20 °C < t_{amb} < 55 °C
-0 °F < t_{amb} < 130 °F
0 – 95% RH, non condensing
IP10 / VBG4
UL: E31024

Warning
Ensure power is disconnected before adding or removing modules.



AI x 11
DO x 8

Supply voltage:
Transformer Class II

The 24 V must not be shared by other controllers or units

The 24 V input must not have earth connection

For the LAN with IP communication, the address must be set between 011 – 199. Factory setting: 011

Keep the safety distance. Low and high voltage must not be connected to the same output group.

SPDT:
AC-1: 4A (ohmic)
AC-15: 3A (Inductive)

U_{min} : 48 V AC
 I_{max} : 0.5 A

Point

Terminal 15: 12 V
 Terminal 16: 5 V
 Terminal 27: 12 V
 Terminal 28: 5 V
 Terminal 17, 18, 29, 30: ⚡

Address

Factory setting: 011

011 - 199

Signal	Signal type	Module	Point	Terminals
S (sensor) Pt 1000 ohm/0°C 	S1 S2... Saux1 SSA SdA	AKS 32R AKS 2050 MBS 8250 -1 - xx bar	Pt 1000	
P (pressure) AKS 32R AKS 32 	POA POB PcA PcB	AKS 32 -1 - zz bar		
U (voltage) + SIG - GND	...		0 - 5 V 0 - 10 V	
On/Off SIG GND	Ext. Main switch Day/Night Door		Active at: Closed / Open	
DO AKV C NO NC	Comp 1 Comp 2 Fan 1 Alarm		Active at: ON / OFF	
AO - 0-10 V +	AO		0-10 V	

Signal	Signal type / Active at	Module	Point	Terminals
		1	1 (AI 1)	1 - 2
			2 (AI 2)	3 - 4
			3 (AI 3)	5 - 6
			4 (AI 4)	7 - 8
			5 (AI 5)	9 - 10
			6 (AI 6)	11 - 12
			7 (AI 7)	13 - 14
			8 (AI 8)	19 - 20
			9 (AI 9)	21 - 22
			10 (AI 10)	23 - 24
			11 (AI 11)	25 - 26
			12 (DO 1)	31 - 32
			13 (DO 2)	33 - 34
			14 (DO 3)	35 - 36
			15 (DO 4)	37 - 38
			16 (DO 5)	39 - 41
			17 (DO6)	42 - 44
			18 (DO7)	45 - 47
			19 (DO8)	48 - 50
		24 (AO1)	-	
		25 (AO2)	-	

The Product contains electrical components and may not be disposed together with domestic waste. Equipment must be separate collected with Electrical and Electronic waste. According to Local and currently valid legislation.