



ECtemp Next Plus

All room thermostats are used for room temperature control in electric floor heating systems.

By controlling room temperature in accordance with the temperature desired by the user, the room thermostats provide optimal energy savings while upholding optimal thermal comfort in the room.

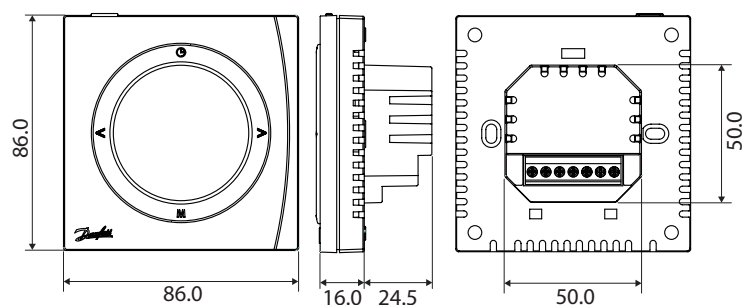
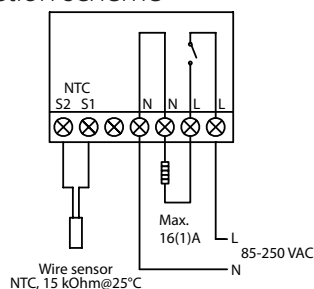
Product specifications

Benefits <ul style="list-style-type: none"> • Modern design with white backlight • AWAY function • Child safety lock • 3 selectable temperature control modes • Maximum floor temperature limitation • Optional room temperature display • Frost protection mode • Temperature calibration • Advanced programmable timer. 	Supply voltage/ Output voltage	85–250 V AC, 50/60 Hz
	Operating room temperature	5 - 35° C
	Operating floor temperature	5 - 45° C *
	Ambient temperature	-10 - 60° C
	Fault indication	Yes
	Hysteresis	1° C, symmetrical around the setpoint temperature
	LCD backlight	Yes, white
	Max. load, inductive	< 3 A
	Max. load, resistive	< 16 A
	Temperature calibration	Yes (+/-10° C)
Compliance symbols: 	Power consumption	2 W
	Power supply	85–250 V AC, 50/60 Hz
	Sensor, floor	NTC 15K accuracy: ±1%
	Shell material	ABS, non-inflammable
	IP class	30
	Approval	CE marking, EN 60730
	Colour	White RAL9010/Dark Grey RAL7024
	Dimensions	86 × 86 × 16.0 mm
	Standard compliance	
	<ul style="list-style-type: none"> • EN/IEC 60730-1 (general) • EN/IEC 60730-2-9 (thermostat) 	

Types

Item no.	Product Type	Programmable	EAN no.
088L0121	ECtemp Next Plus	Yes	5703466233979

Connection scheme



* It will be possible to set the maximum floor temperature up to 45° C. Furthermore, it will be possible to use only a room sensor. However, this option is not recommendable due to an increased risk of overheating the floor.

Please contact Danfoss how to extend the maximum floor temperature and set the only room temperature control mode.

IMPORTANT: When the thermostat is used to control a floor heating element in connection with a wooden floor or similar material, always use a floor sensor and never set the maximum floor temperature to more than 35° C.