



## ECtemp 330

**ECtemp 330** is a line of simple electronic thermostats to be installed in electric cabinets with DIN rail attachment. To measure and control the desired temperature either a wire sensor (in the set) or an external indoor/outdoor air sensor must be used. The thermostat must be installed via an all-pole disconnection switch. It has a LED indicating showing standby (green light) and heating (red light) periods.



ECtemp 330 has a relay with 2 contact pairs - NO (normally opened) and NC (normally closed), and are supposed to be used for heating and cooling systems. Additionally, NO and NC contact pairs are not wetted by a voltage source inside the thermostats, and can be used for control systems with any voltage up to 250 V.

The series is designed with thermostats in three temperature range.

**ECtemp 330 (-10 - +10°C)** is used primarily for controlling a lower temperature range such as frost protection. This thermostat has a button to adjust the temperature setting with a scale from -10 °C to +10 °C. Special outdoor white wire sensor included in a set.

**ECtemp 330 (5 - 45°C)** is used primarily for controlling lower temperature range such as frost protection and for cooling, Comfort Floor Heating, Total (Direct) Floor Heating, Ice and Snow Melting on Ground, Frost Protection on Roofs, Pipe Tracing, etc. The thermostat has a button to adjust the temperature setting with a scale from 5 °C to 45 °C. This type has temperature lowering in economy periods mode by using external timer.

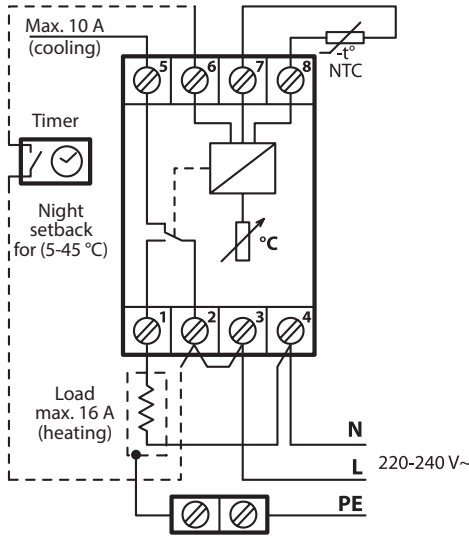
### Product specifications

<b>Benefits</b> <ul style="list-style-type: none"> <li>• For DINrail mounting</li> <li>• Low temperature area</li> <li>• Low standby consumption</li> <li>• LED indicator</li> </ul> <b>Compliance symbols:</b>  <b>Standard compliance</b> <ul style="list-style-type: none"> <li>• EN/IEC 60730-1 (general)</li> <li>• EN/IEC 60730-2-9 (thermostat)</li> </ul>	Operation voltage	220 - 240 V, 50/60 Hz
	Standby power consumption	Max. 0,25 W
	Resistive load	Max 16 A (3680 W) @ 230 V
	Inductive load	Max. 1 A, cos φ = 0,3
	Ambient temperature	-10 °C to +50 °C
	Cable specification max	1 x 4 mm <sup>2</sup> or 2 x 2,5 mm <sup>2</sup>
	Storage temperature	-20 °C to +65 °C
	IP class	20
	Hysteresis	± 0,2 °C
	Protection class	Class II - 
	Dimensions (H/W/D)	85 x 36 x 58 mm
	Weight	83 g

### Types

Item no.	Product name	Temp. range	Sensor type	Night setback	Marking	EAN no.
088L0445	<b>ECtemp 330 (+5 - +45°C)</b>	5 °C to 45 °C	Wire sensor, 3 m, NTC 15 kOhm at 25 °C	5 °C	D330	5703466130353
088L0444	<b>ECtemp 330 (-10 - +10°C)</b>	-10 °C to +10 °C	Wire sensor, 3 m, NTC 15 kOhm at 25 °C	-	D330	5703466130346

Connection scheme



**ECtemp 330 (5 - 45 °C)**

**ECtemp 330 (-10 - +10 °C)**

