

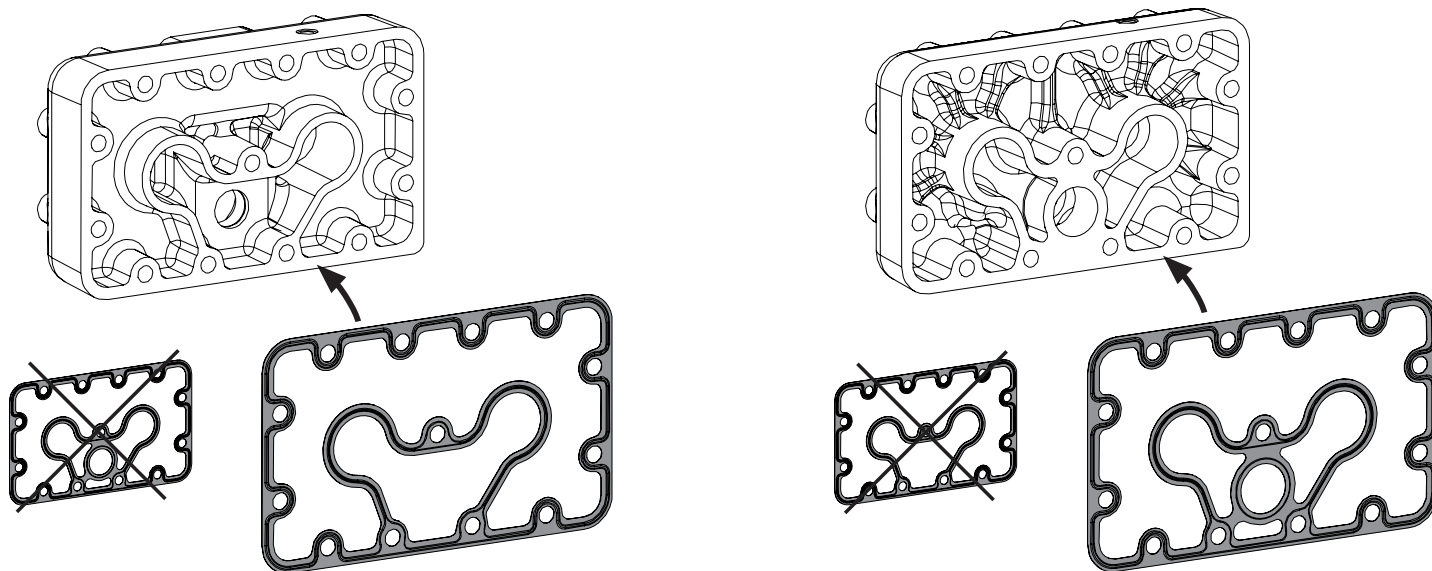
D Montagehinweis Dichtung Ventilplatte

GB Information valve plate gasket

F Indications joint plaque de vanne

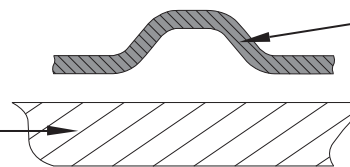
ENGINEERING
TOMORROW

Danfoss



Montage Stahlsickendichtung
Assembly steel crimp gasket
Montage du joint à nervures en acier

Verdichtergehäuse
Compressor housing
Boîtier du compresseur



Sickenrichtung immer entgegen
Verdichtergehäuse
Crimp direction always in opposite
direction to compressor housing
Sens de la moulure toujours
opposé au corps du compresseur

ENGINEERING
TOMORROW



Danfoss A/S

Climate Solutions • danfoss.com • +45 7488 2222

Any information, including, but not limited to information on selection of product, its application or use, product design, weight, dimensions, capacity or any other technical data in product manuals, catalogues descriptions, advertisements, etc. and whether made available in writing, orally, electronically, online or via download, shall be considered informative, and is only binding if and to the extent, explicit reference is made in a quotation or order confirmation. Danfoss cannot accept any responsibility for possible errors in catalogues, brochures, videos and other material. Danfoss reserves the right to alter its products without notice. This also applies to products ordered but not delivered provided that such alterations can be made without changes to form, fit or function of the product.

All trademarks in this material are property of Danfoss A/S or Danfoss group companies. Danfoss and the Danfoss logo are trademarks of Danfoss A/S. All rights reserved.