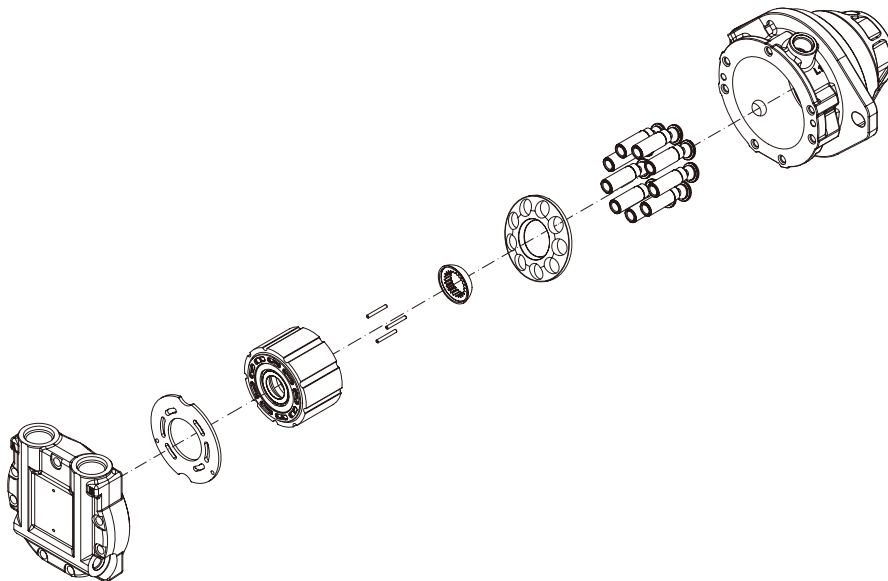


Parts Manual

MP1 Axial Piston Motors

Size 28/32



Revision history

Table of revisions

Date	Changed	Rev
September 2023	Added new porting types	0104
June 2023	Fixed porting type and housing sections	0103
October 2022	Updated Date Begin	0102
October 2022	First edition	0101

Contents

General information

Service parts identification.....	4
Nameplate.....	4
Date code.....	5
About service bulletins.....	5
Procedure to identify a part.....	5
Adobe Acrobat 2-page viewing.....	6
Order code.....	7

Shaft

Shaft A.....	8
Shaft C.....	10
Shaft G.....	12
Shaft H.....	14
Shaft J.....	16
Shaft K.....	18

Porting type

Porting type SA1, MA1.....	20
Porting type SB3, MB3.....	22
Porting type SB4, MB4.....	24
Porting type SC1, MC1.....	26
Porting type SC2, MC2.....	28
Porting type SD1, MD1.....	30
Porting type SD2, MD2.....	32
Porting type SF1, MF1.....	34
Porting type SG3, MG3.....	36
Porting type SG4, MG4.....	38
Porting type SH1, MH1.....	40
Porting type SH2, MH2.....	42
Porting type SJ1, MJ1.....	44
Porting type SJ2, MJ2.....	46
Porting type FA1.....	48
Porting type FB3.....	50
Porting type FB4.....	52
Porting type FC1.....	54
Porting type FC2.....	56
Porting type FD1.....	58
Porting type FD2.....	60

Housing

Housing BA, BC, EA, EC.....	62
Housing BB, BD, EB, ED.....	64
Housing BN, EN.....	66
Housing CA, CC, FA, FC.....	68
Housing CB, CD, FB, FD.....	70
Housing CN, FN.....	72

Displacement

Displacement 28A, 32A.....	74
----------------------------	----

Overhaul seal kit

MP1M 28/32 Seal Kit.....	76
--------------------------	----

General information

Service parts identification

The following information and procedure is used to identify the module group, item number, manufacture date, part number, and part name of the parts included in the MP1 motor.

The parts listed include all parts which may be used when performing either "Minor Repairs", "Major Repairs" or "Conversions" on the MP1M.

Nameplate

Each unit will have a nameplate affixed to the housing. The nameplate of the MP1M will include the following information:

Model code

The Danfoss model code completely defines the specific unit and must be used when ordering parts to service this product.

Model/material number

The Danfoss model number (also known as material number) is used by the factory in manufacturing. On repeat orders, a complete unit can be ordered by the model number.

Serial number

The Danfoss serial number is used to identify the manufacture date and the unit sequence in the build. The serial number is also used to identify the units warranty time period.

The letter code indicates the location of original manufacture (assembly).

The first number (2 digits) indicates the year of manufacture. The second number (2 digits) indicates the calendar week of manufacture.

The third number (5 digits) is a sequential number used to identify a specific unit.



General information

Date code

The date code is defined as the year and week of manufacture. The same item number may list more than one part number. This indicates that there is more than one configuration for that item number. You will see that there are different date codes for the different part numbers. Find the date code of your unit from the nameplate to determine which service part number you need to order.

Example: The service part desired is item G30

Order Code	Item	Date Begin	Date End	Part Number	Part Name	Qty. per Model/Kit
80	G30	89-17		8000243	End cap gasket	1
	G30		89-16	8000151	End cap gasket (SB-1995-006)	1

All units using this order code with a date code prior to 89-17 must use part number "8000151." All units with a date code of 89-17 and newer must use part number "8000243."

About service bulletins

A Service Bulletin Number (SB-____-____) may follow the "Part Name" of the part you desire. You must read that Service Bulletin prior to ordering that part. The information contained in these Service Bulletins, as of the print date of this bulletin, are included at the end of this manual. Service Bulletins contain more detailed information such as interchangeability, what additional parts are involved, etc. It is suggested that you add additional Service Bulletins to this manual as you receive them.

Procedure to identify a part

The modular design of this product results in a simplified service parts list and part number identification procedure.

The same item numbers are used for same part names on all units within a product type. A part number that has another number following it in parentheses is done to make this a world wide manual.

Regional part numbers

Some part numbers are region specific and should be ordered accordingly.

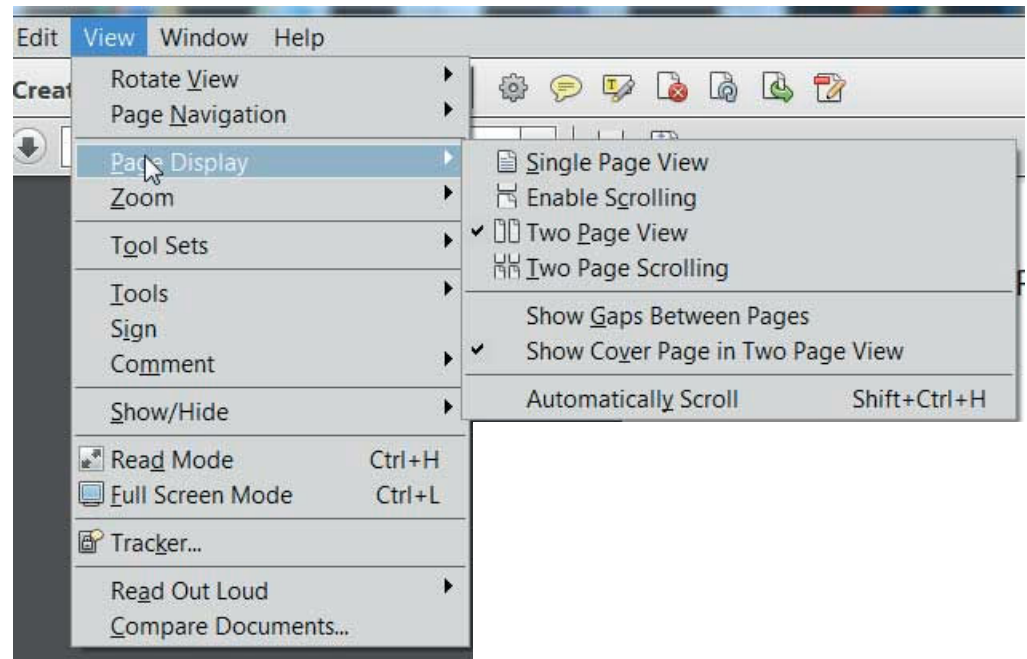
As an example, the part number (example: 314583 (9008000-0118)) will be used. The first number is sold in Germany. The number in parentheses is sold in the United States. Customers would order 9008000-0118 if ordering the part in the United States.

General information

Adobe Acrobat 2-page viewing

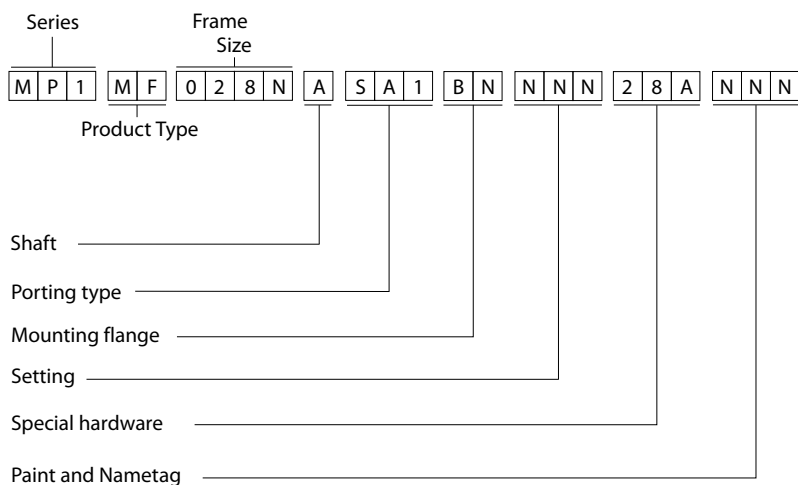
While viewing manual in Adobe Acrobat, the following settings need to be applied to ensure proper page display.

1. Select "View" → "Page Display" → "Two Page View"
2. Select "View" → "Page Display" → "Show Cover Page in Two Page View"



General information

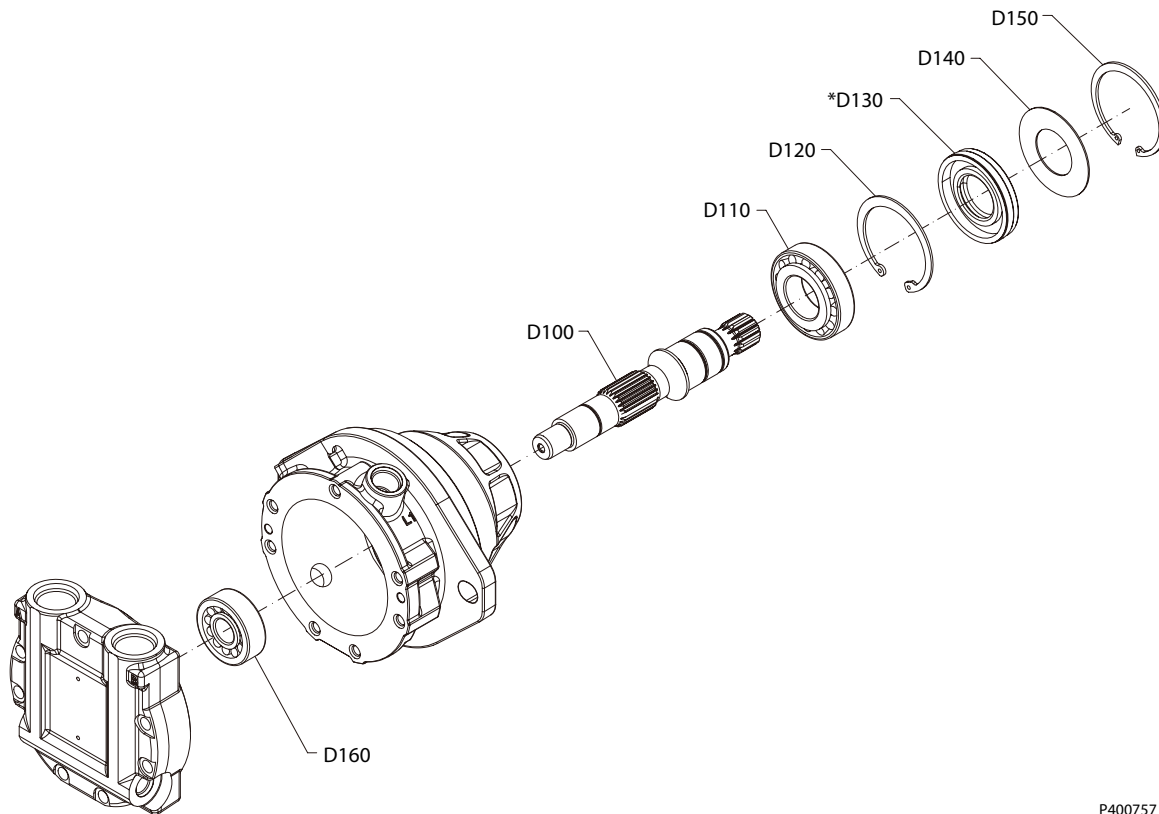
Order code



Shaft

MP1M shaft A

Parts configuration



P400757

Generic housing and endcap used to show part location only.

* Included in overhaul seal kit Q210

Shaft

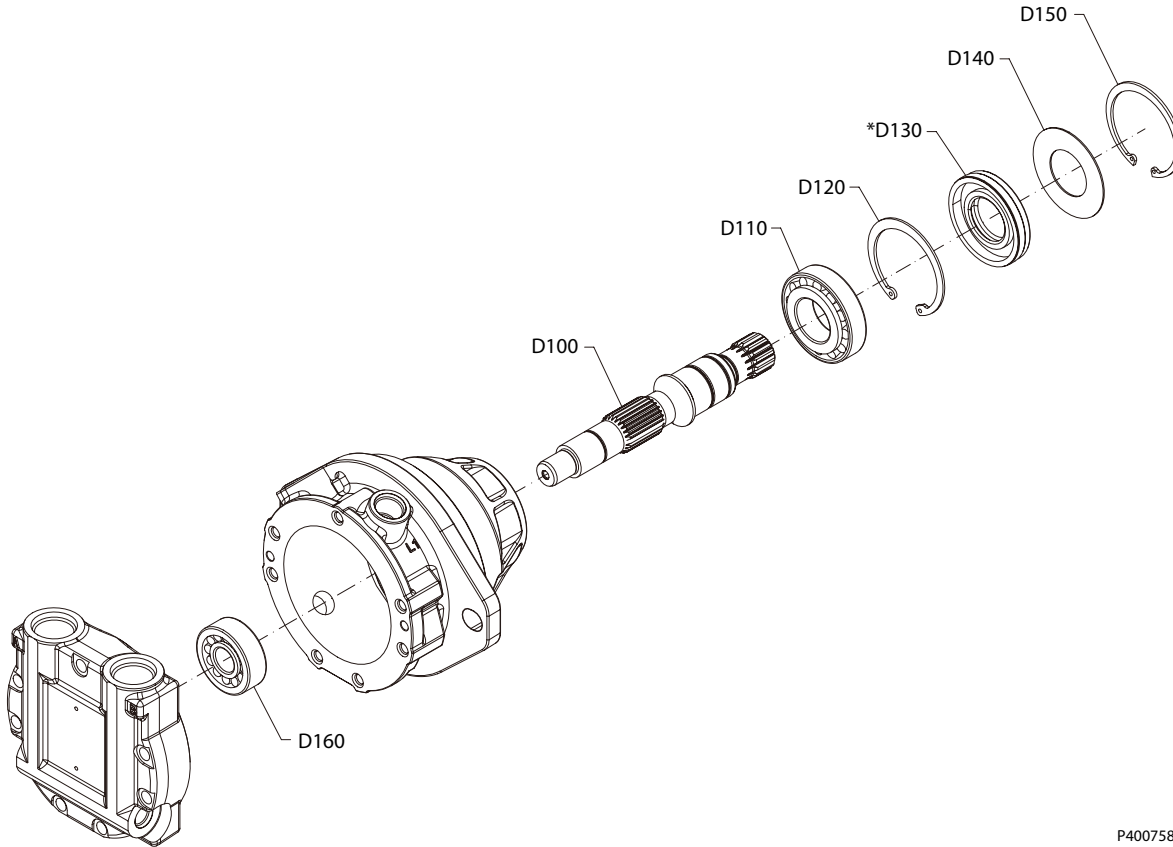
Order code: A

Item	Date Begin	Date End	Part Number	Part Name	Qty. per Model/Kit
D100	22-40		11288755	Shaft, 13T, 16/32 pitch	1
D110	22-40		11288759	Roller bearing, tapered	1
D120	22-40		11288760	Retaining ring	1
D130	22-40		11165487	Lip seal	1
D140	22-40		11288761	Washer	1
D150	22-40		FBE062	Retaining ring	1
D160	22-40		11288762	Roller bearing, tapered	

Shaft

MP1M shaft C

Parts configuration



P400758

Generic housing and endcap used to show part location only.

* Included in overhaul seal kit Q210

Shaft

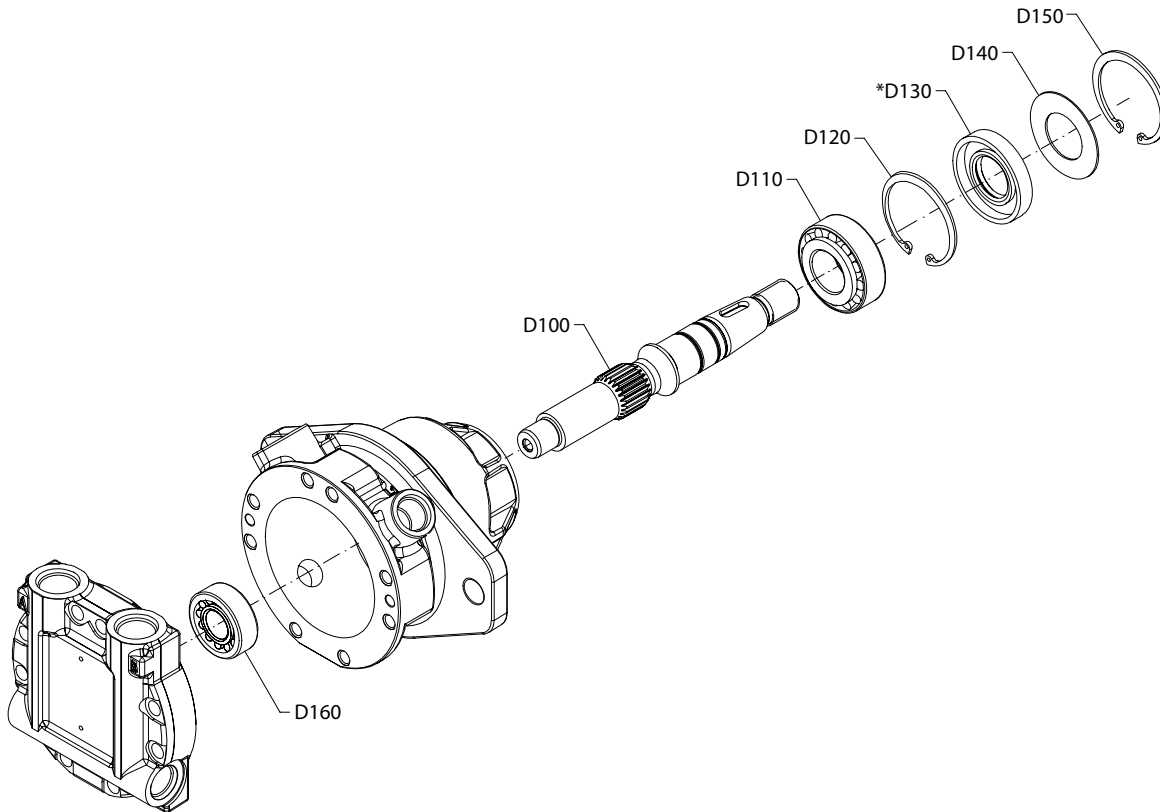
Order code: C

Item	Date Begin	Date End	Part Number	Part Name	Qty. per Model/Kit
D100	22-40		11288756	Shaft, 15T, 16/32 pitch	1
D110	22-40		11288759	Roller bearing, tapered	1
D120	22-40		11288760	Retaining ring	1
D130	22-40		11165487	Lip seal	1
D140	22-40		11288761	Washer	1
D150	22-40		FBE062	Retaining ring	1
D160	22-40		11288762	Roller bearing, tapered	1

Shaft

MP1M shaft G

Parts configuration



P400733

Generic housing and endcap used to show part location only.

* Included in overhaul seal kit Q210

Shaft

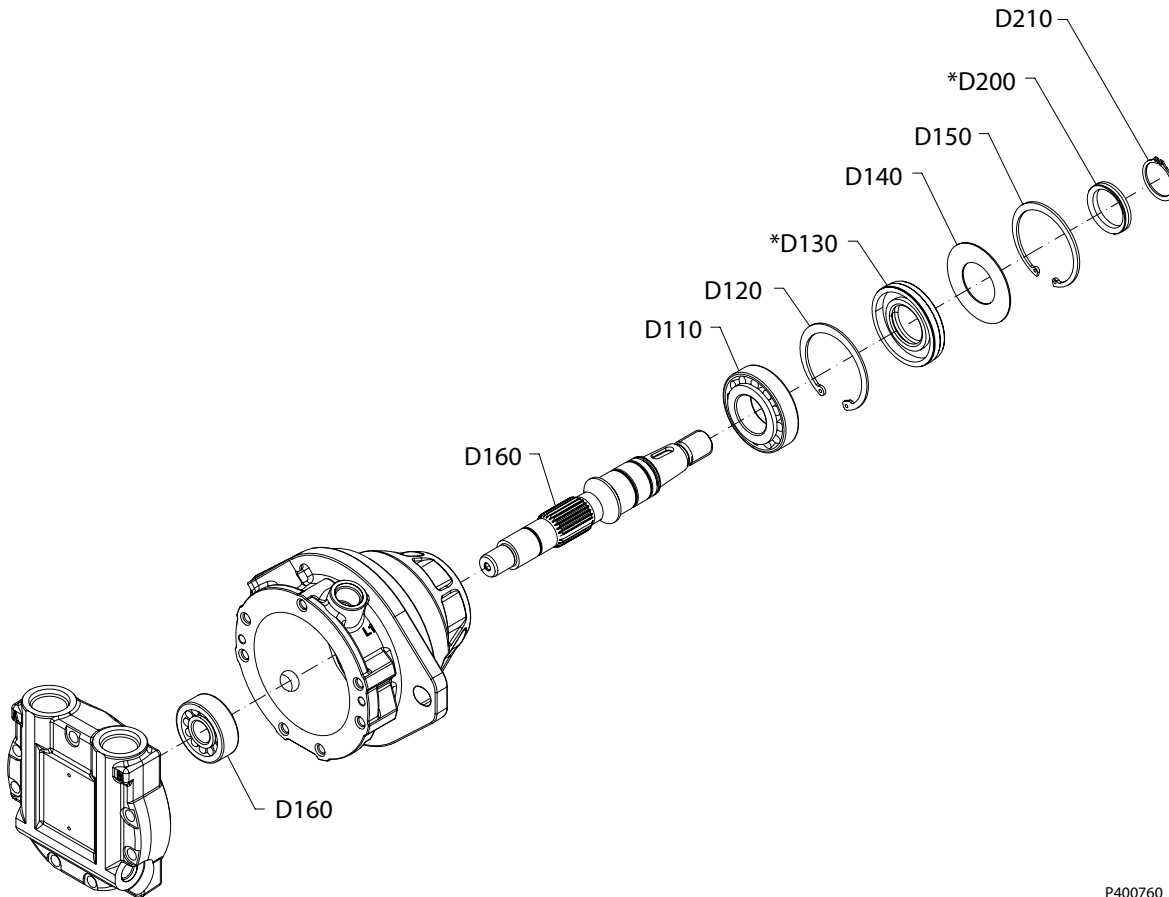
Order code: G

Item	Date Begin	Date End	Part Number	Part Name	Qty. per Model/Kit
D100	22-40		11228842	Shaft, tapered	1
D110	22-40		11228797	Roller bearing, tapered	1
D120	22-40		11228820	Retaining ring	1
D130	22-40		11228821	Lip seal	1
D140	22-40		11228822	Washer	1
D150	22-40		FBE052	Retaining ring	1
D160	22-40		11228823	Roller bearing, tapered	1

Shaft

MP1M shaft H

Parts configuration



P400760

Generic housing and end cap used to show part location only.

* Included in overhaul seal kit Q210

Shaft

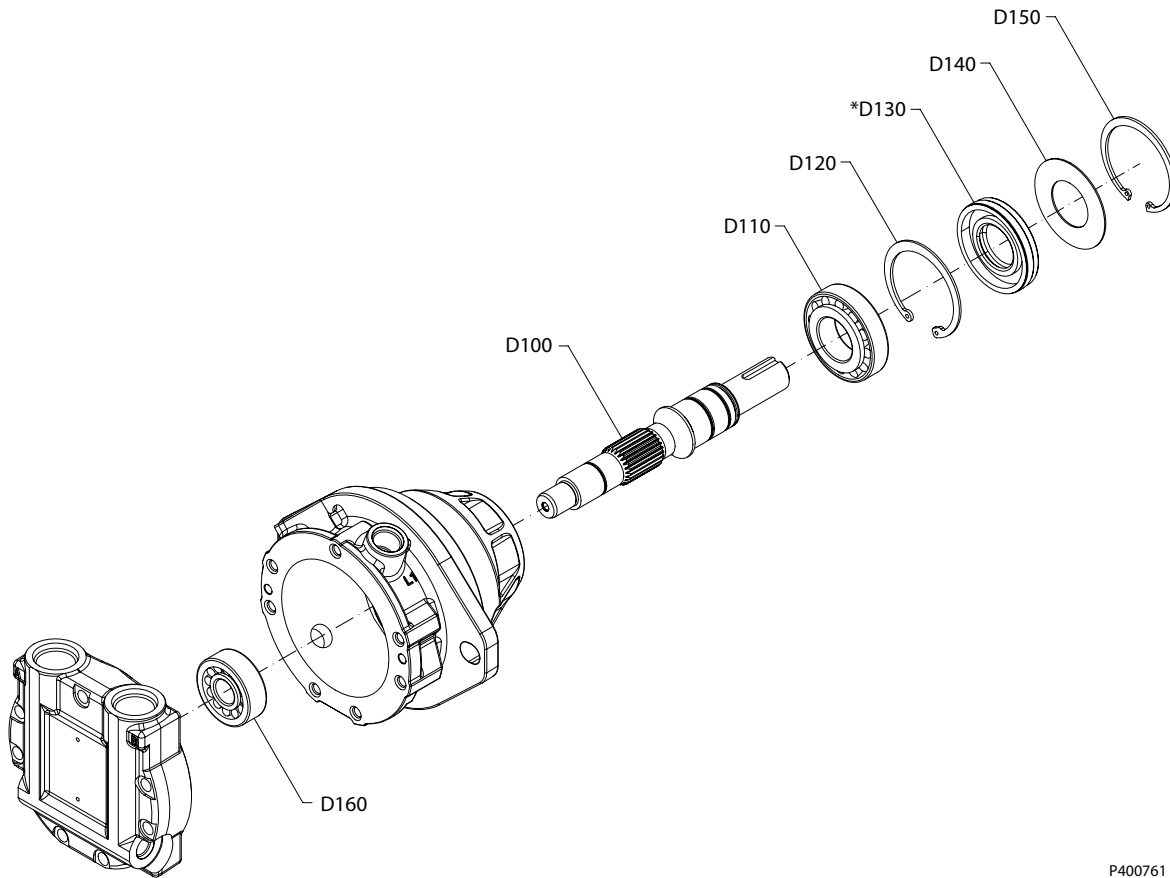
Order code: H

Item	Date Begin	Date End	Part Number	Part Name	Qty. per Model/Kit
D100	22-40		11288758	Shaft, tapered	1
D110	22-40		11288759	Roller bearing, tapered	1
D120	22-40		11288760	Retaining ring	1
D130	22-40		11165487	Lip seal	1
D140	22-40		11288761	Washer	1
D150	22-40		FBE062	Retaining ring	1
D160	22-40		11288762	Roller bearing, tapered	1
D200	22-40		11288763	Dust seal	1
D210	22-40		5000098	Retaining ring	1

Shaft

MP1M shaft J

Parts configuration



P400761

Generic housing and endcap used to show parts location only.

* Included in overhaul seal kit Q210

Shaft

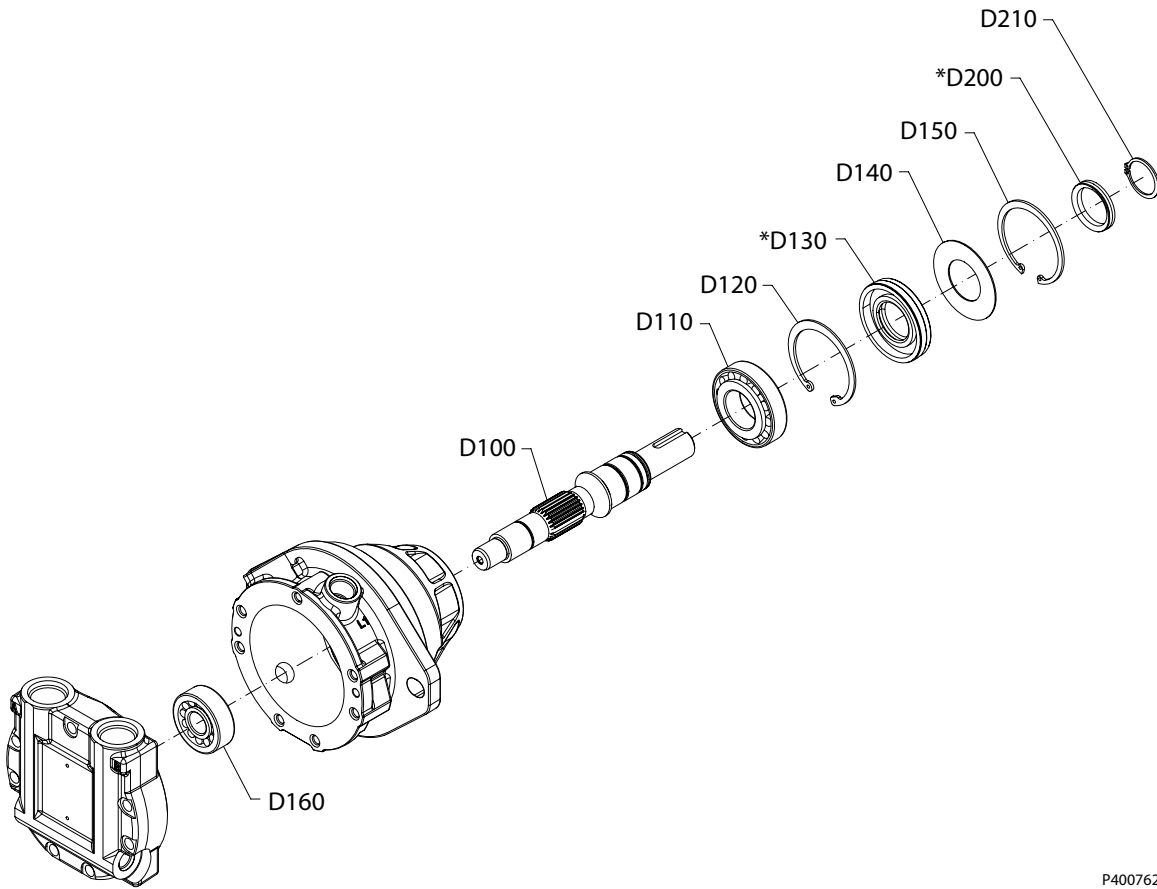
Order code: J

Item	Date Begin	Date End	Part Number	Part Name	Qty. per Model/Kit
D100	22-40		11288757	Shaft with medium straight key	1
D110	22-40		11288759	Roller bearing, tapered	1
D120	22-40		11288760	Retaining ring	1
D130	22-40		11165487	Lip seal	1
D140	22-40		11288761	Washer	1
D150	22-40		FBE062	Retaining ring	1
D160	22-40		11288762	Roller bearing, tapered	1

Shaft

MP1M shaft K

Parts configuration



P400762

Generic housing and endcap used to show part location only.

* Included in overhaul seal kit Q210

Shaft

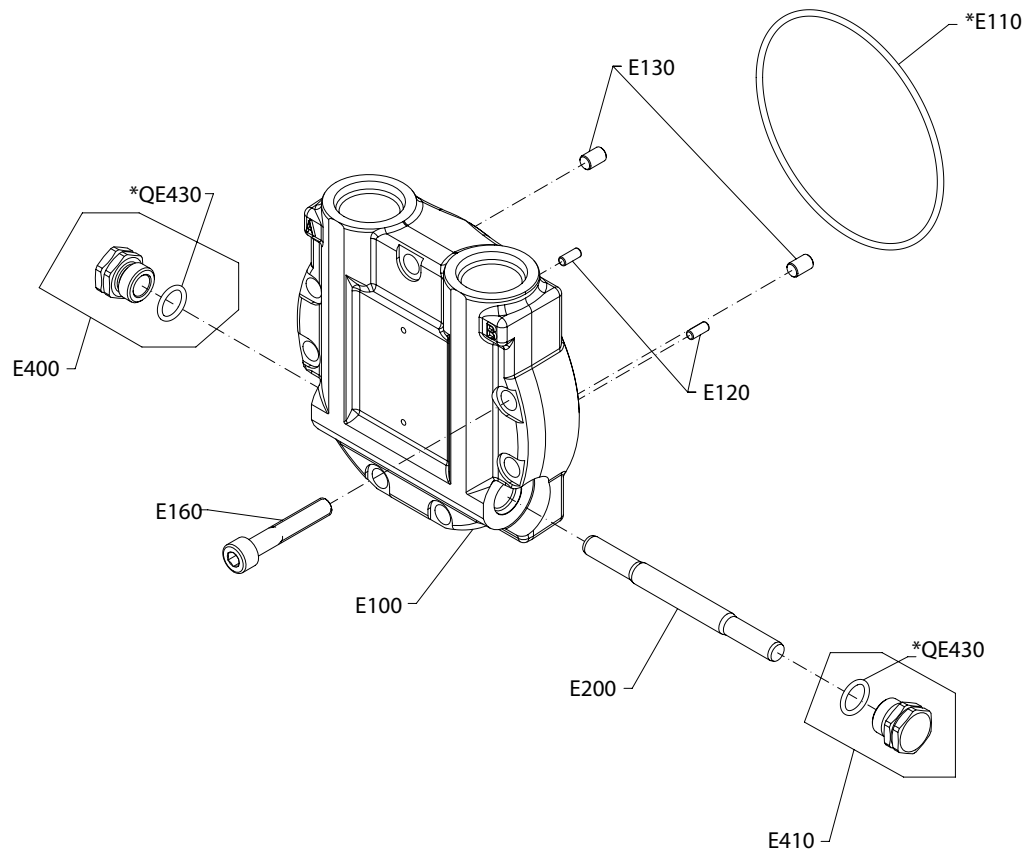
Order code: K

Item	Date Begin	Date End	Part Number	Part Name	Qty. per Model/Kit
D100	22-40		11288757	Shaft with medium shaft key	1
D110	22-40		11288759	Roller bearing, tapered	1
D120	22-40		11288760	Retaining ring	1
D130	22-40		11165487	Lip seal	1
D140	22-40		11288761	Washer	1
D150	22-40		FBE062	Retaining ring	1
D160	22-40		11288762	Roller bearing, tapered	1
D200	22-40		11288763	Dust seal	1
D210	22-40		5000098	Retaining ring	1

Porting type

MP1M porting type SA1, MA1

Parts configuration



P400763

* Included in overhaul seal kit Q210

This option is available in inch and metric configuration. Please order accordingly.

Porting type

Common parts

Item	Date Begin	Date End	Part Number	Part Name	Qty. per Model/Kit
E110	22-40		733295	O-ring	1
E120	22-40		9004800-1506	Straight pin	2
E130	22-40		9004800-2506	Straight pin	2
E160	22-40		376624	Screw	7
E200	22-40		11098213	Loop flushing spool, defeated	1
E400	22-40		1030932-SA	Plug assembly	1
E410	22-40		1030932-SA	Plug assembly	1
QE430	22-40		9004201-3700	O-ring	2

Order code: SA1 (inch)

E100	22-40		11288764	Endcap, inch	1
------	-------	--	----------	--------------	---

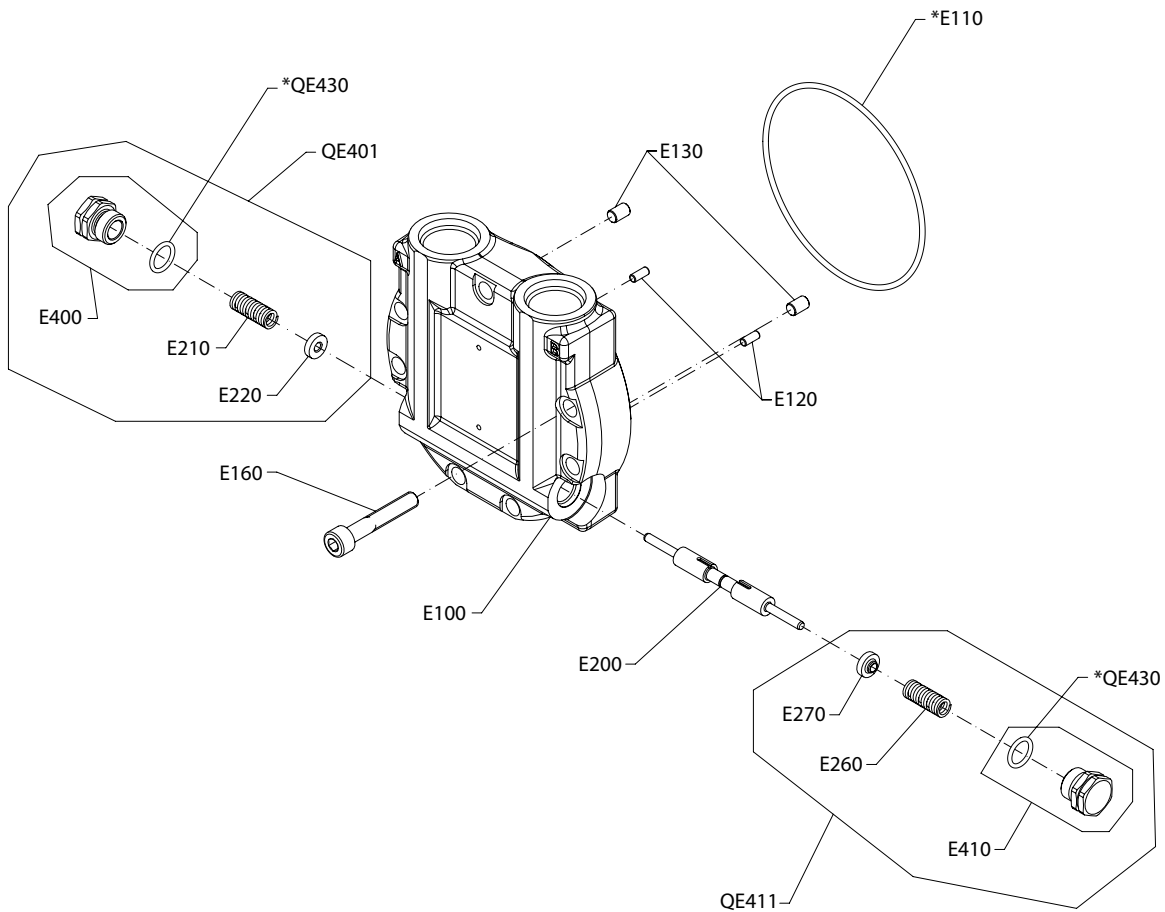
Order code: MA1 (metric)

E100	22-40		11288765	Endcap, metric	1
------	-------	--	----------	----------------	---

Porting type

MP1M porting type SB3, MB3

Parts configuration



P400764

* Included in overhaul seal kit Q210

This option is available in inch and metric configurations. Please order accordingly.

Porting type

Common parts

Item	Date Begin	Date End	Part Number	Part Name	Qty. per Model/Kit
E110	22-40		733295	O-ring	1
E120	22-40		9004800-1506	Straight pin	2
E130	22-40		9004800-2506	Straight pin	2
E160	22-40		376624	Screw	7
E200	22-40		11120528	Loop flushing spool	1
E210	22-40		11097840	Spring	1
E220	22-40		1745296	Spring guide	1
E260	22-40		11097840	Spring	1
E270	22-40		1745296	Spring guide	1
E400	22-40		1030932-SA	Plug assembly	1
E410	22-40		1030932-SA	Plug assembly	1
QE401	22-40		11231264	Loop flushing spool assembly	1
QE411	22-40		11231266	Loop flushing spool assembly	1
QE430	22-40		9004201-3700	O-ring	2

Order code: SB3 (inch)

E100	22-40		11288764	Endcap, inch	1
------	-------	--	----------	--------------	---

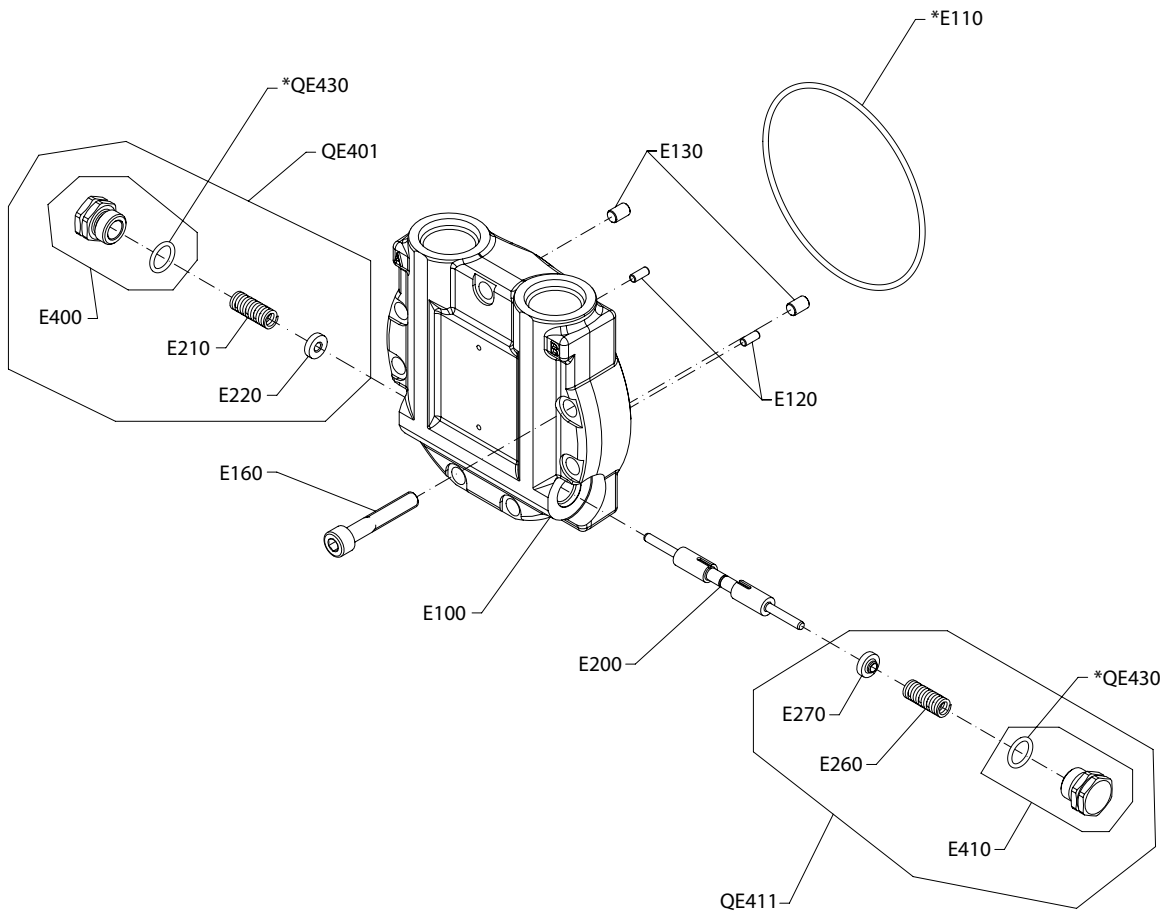
Order code: MB3 (metric)

E100	22-40		11288765	Endcap, metric	1
------	-------	--	----------	----------------	---

Porting type

MP1M porting type SB4, MB4

Parts configuration



P400765

* Included in overhaul seal kit Q210

This option is available in inch and metric configurations. Please order accordingly.

Porting type

Common parts

Item	Date Begin	Date End	Part Number	Part Name	Qty. per Model/Kit
E110	22-40		133295	O-ring	1
E120	22-40		9004800-1506	Straight pin	2
E130	22-40		9004800-2506	Straight pin	2
E160	22-40		376624	Screw	7
E200	22-40		11288788	Loop flushing spool	1
E210	22-40		11097840	Spring	2
E220	22-40		1745296	Spring guide	2
E260	22-40		11097840	Spring	1
E270	22-40		1745296	Spring guide	1
E400	22-40		1030932-SA	Plug assembly	1
E410	22-40		1030932-SA	Plug assembly	1
QE401	22-40		11231264	Loop flushing spool assembly	1
QE411	22-40		11231266	Loop flushing spool assembly	1
QE430	22-40		9004201-3700	O-ring	2

Order code: SB4 (inch)

E100	22-40		11288764	Endcap, inch	1
------	-------	--	----------	--------------	---

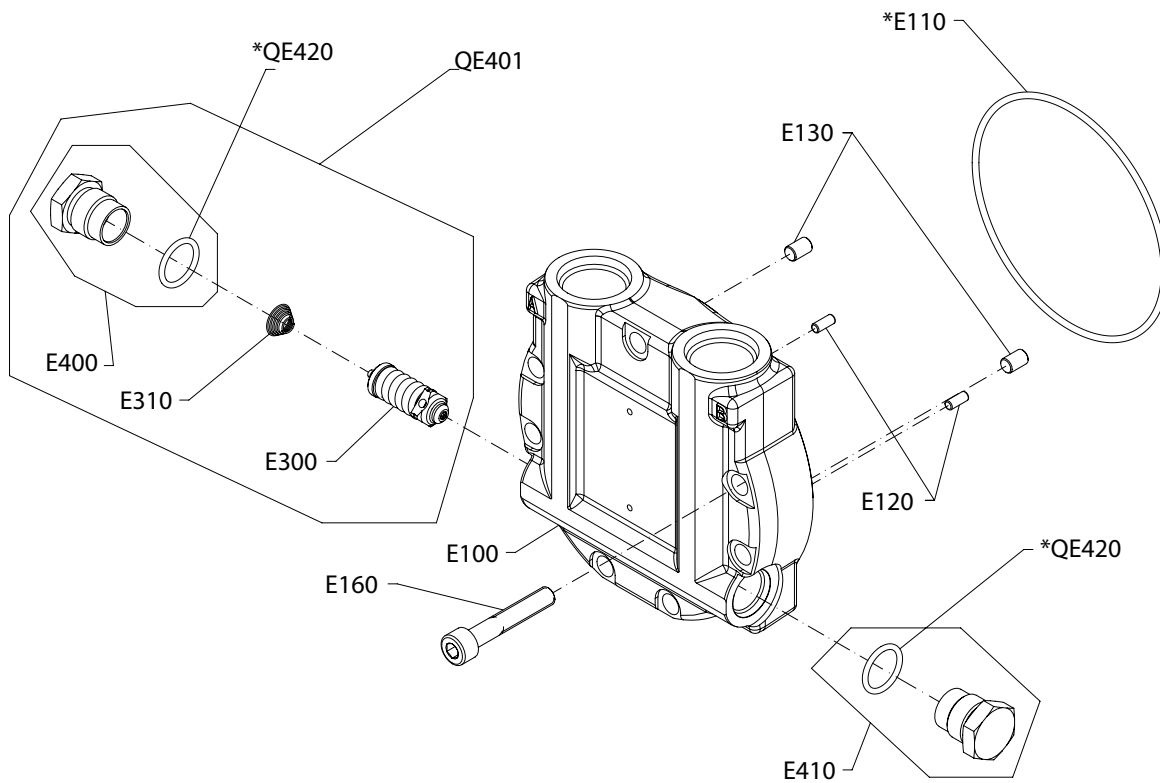
Order code: MB4 (metric)

E100	22-40		11288765	Endcap, metric	1
------	-------	--	----------	----------------	---

Porting type

MP1M porting type SC1, MC1

Parts configuration



P400766

* Included in overhaul seal kit Q210

This option is available in inch and metric configurations. Please order accordingly.

Porting type

Common parts

Item	Date Begin	Date End	Part Number	Part Name	Qty. per Model/Kit
E110	22-40		733295	O-ring	1
E120	22-40		9004800-1506	Straight pin	2
E130	22-40		9004800-2506	Straight pin	2
E160	22-40		376624	Screw	7
E300	22-40		3103375-0280	Valve assembly	1
E310	22-40		11192689	Compressed spring	1
E400	22-40		11229004	Plug assembly	1
E410	22-40		11229004	Plug assembly	1
QE401	22-40		11231269	Anti-cavitation valve assembly	1
QE420	22-40		9004201-5000	O-ring	2

Order code: SC1 (inch)

E100	22-40		11288766	Endcap, inch	1
------	-------	--	----------	--------------	---

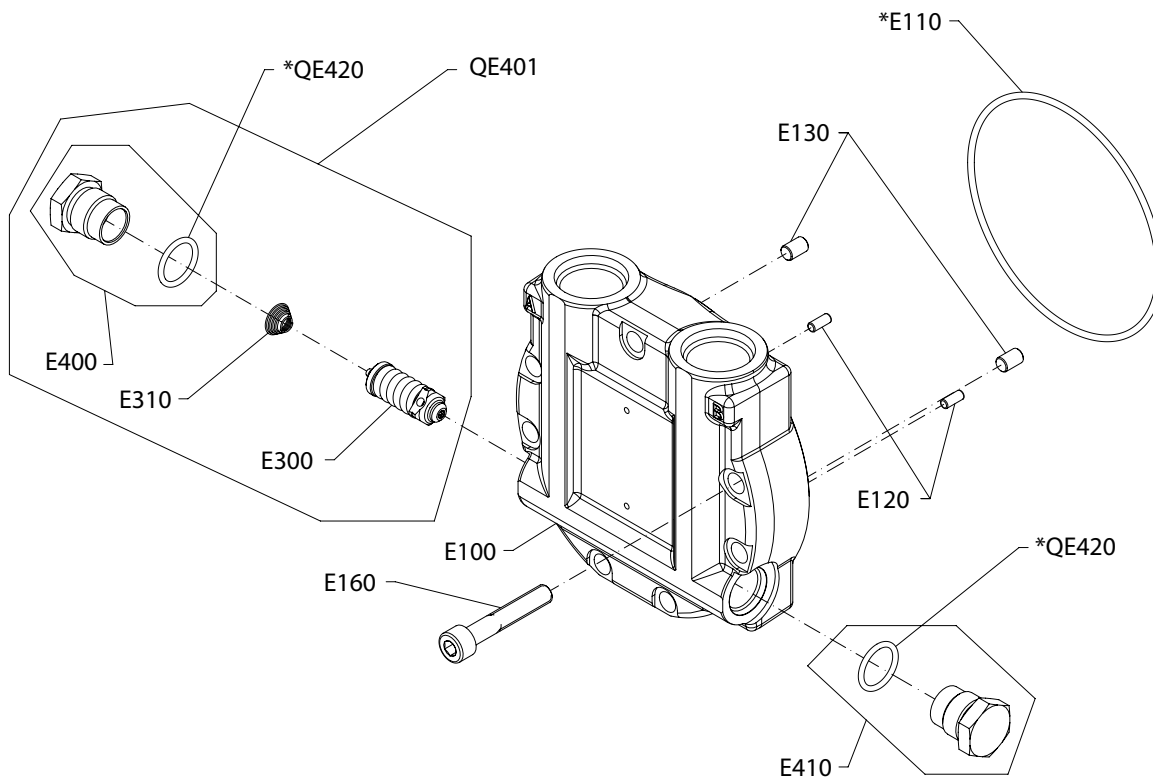
Order code: MC1 (metric)

E100	22-40		11288767	Endcap, metric	1
------	-------	--	----------	----------------	---

Porting type

MP1M porting type SC2, MC2

Parts configuration



P400767

* Included in overhaul seal kit Q210

This option is available in inch and metric configurations. Please order accordingly.

Porting type

Common parts

Item	Date Begin	Date End	Part Number	Part Name	Qty. per Model/Kit
E110	22-40		733295	O-ring	1
E120	22-40		9004800-1506	Straight pin	2
E130	22-40		9004800-2506	Straight pin	2
E160	22-40		376624	Screw	7
E300	22-40		3103375-0345	Valve assembly	1
E310	22-40		11192689	Compressed spring	1
E400	22-40		11229004	Plug assembly	1
E410	22-40		11229004	Plug assembly	1
QE401	22-40		11231270	Anti-cavitation valve assembly	1
QE420	22-40		9004201-5000	O-ring	2

Order code: SC2 (inch)

E100	22-40		11288766	Endcap, inch	1
------	-------	--	----------	--------------	---

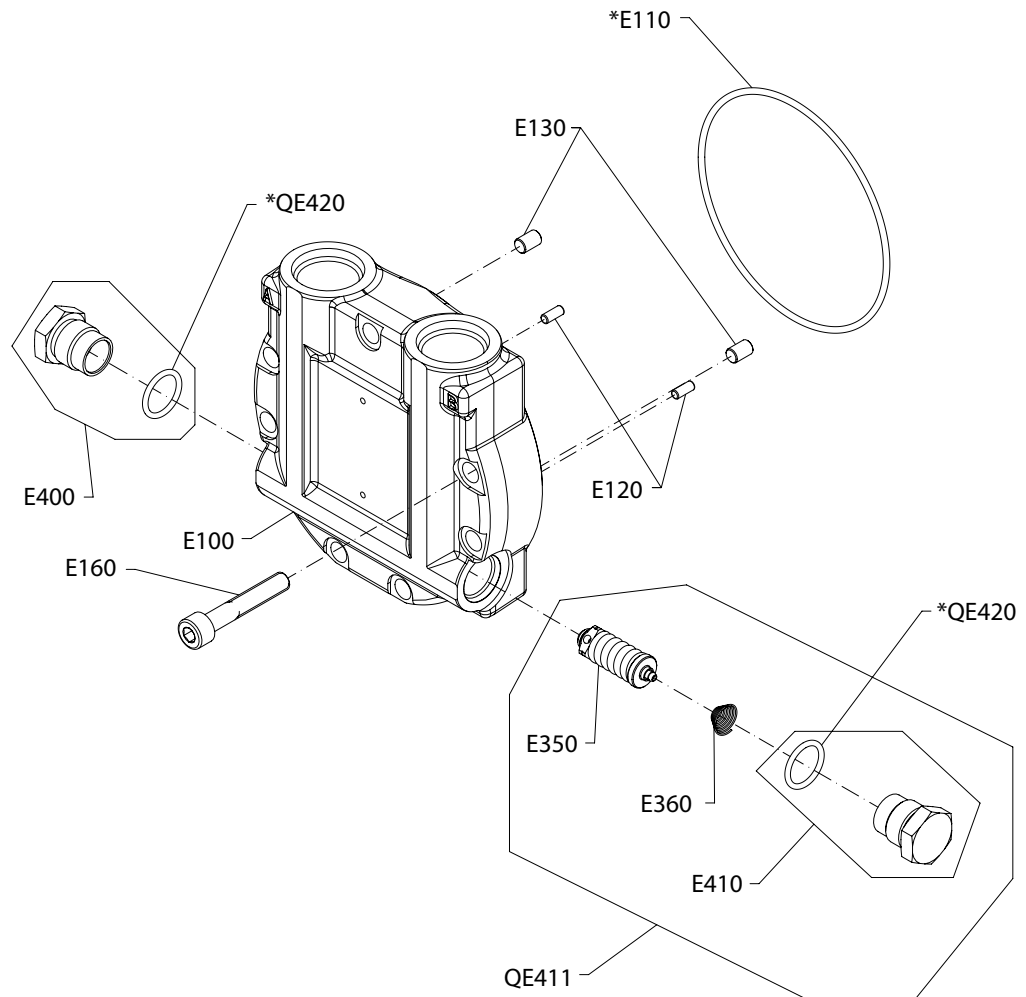
Order code: MC2 (metric)

E100	22-40		11288767	Endcap, metric	1
------	-------	--	----------	----------------	---

Porting type

MP1M porting type SD1, MD1

Parts configuration



P400768

* Included in overhaul seal kit Q210

This option is available in inch and metric configurations. Please order accordingly.

Porting type

Common parts

Item	Date Begin	Date End	Part Number	Part Name	Qty. per Model/Kit
E110	22-40		733295	O-ring	1
E120	22-40		9004800-1506	Straight pin	2
E130	22-40		9004800-2506	Straight pin	2
E160	22-40		376624	Screw	7
E350	22-40		3103375-0280	Valve assembly	1
E360	22-40		11192689	Compressed spring	1
E400	22-40		11229004	Plug assembly	1
E410	22-40		11229004	Plug assembly	1
QE411	22-40		11231412	Anti-cavitation valve assembly	1
QE420	22-40		9004201-5000	O-ring	2

Order code: SD1 (inch)

E100	22-40		11288766	Endcap, inch	1
------	-------	--	----------	--------------	---

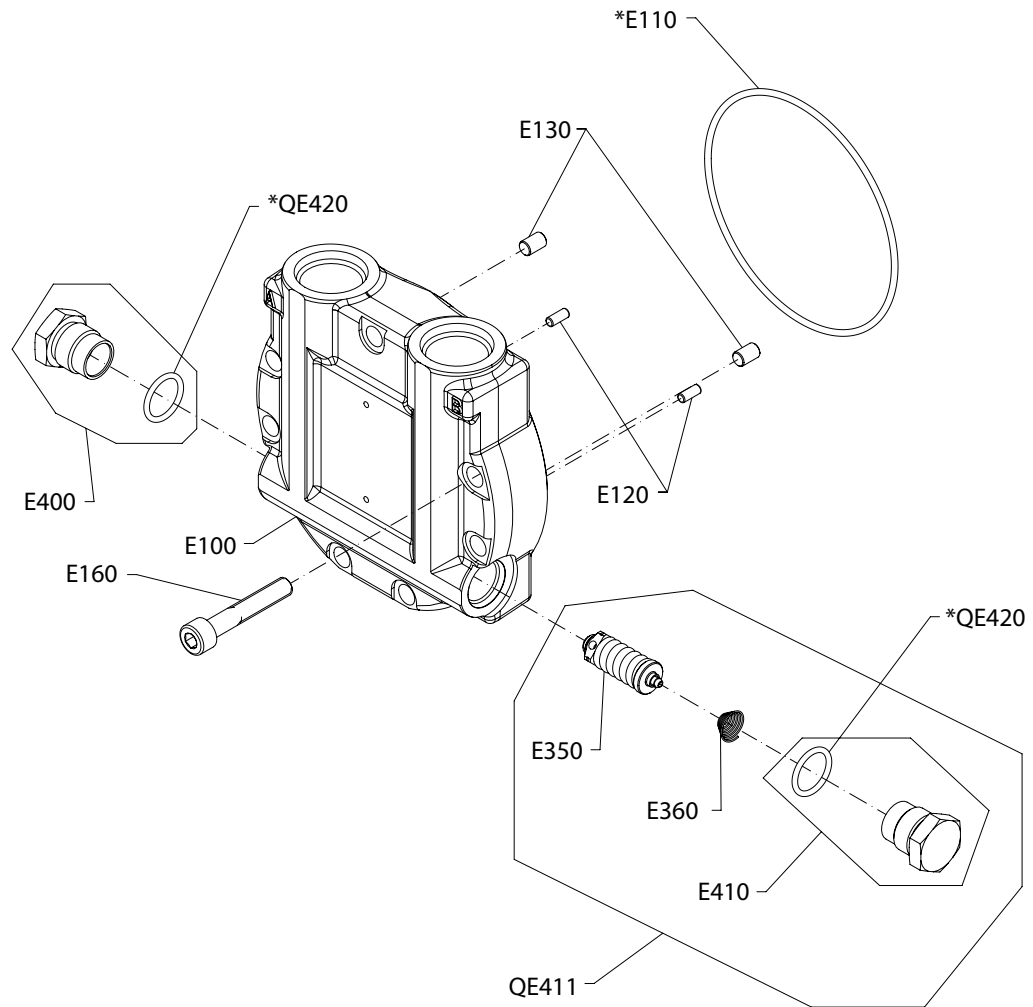
Order code: MD1 (metric)

E100	22-40		11288767	Endcap, metric	1
------	-------	--	----------	----------------	---

Porting type

MP1M porting type SD2, MD2

Parts configuration



P400769

* Included in overhaul seal kit Q210

This option is available in inch and metric configurations. Please order accordingly.

Porting type

Common parts

Item	Date Begin	Date End	Part Number	Part Name	Qty. per Model/Kit
E110	22-40		733295	O-ring	1
E120	22-40		9004800-1506	Straight pin	2
E130	22-40		9004800-2506	Straight pin	2
E160	22-40		376624	Screw	7
E350	22-40		3103375-0345	Valve assembly	1
E360	22-40		11192689	Compressed spring	1
E400	22-40		11229004	Plug assembly	1
E410	22-40		11229004	Plug assembly	1
QE411	22-40		11231413	Anti-cavitation valve assembly	1
QE420	22-40		9004201-5000	O-ring	2

Order code: SD2 (inch)

E100	22-40		11288766	Endcap, inch	1
------	-------	--	----------	--------------	---

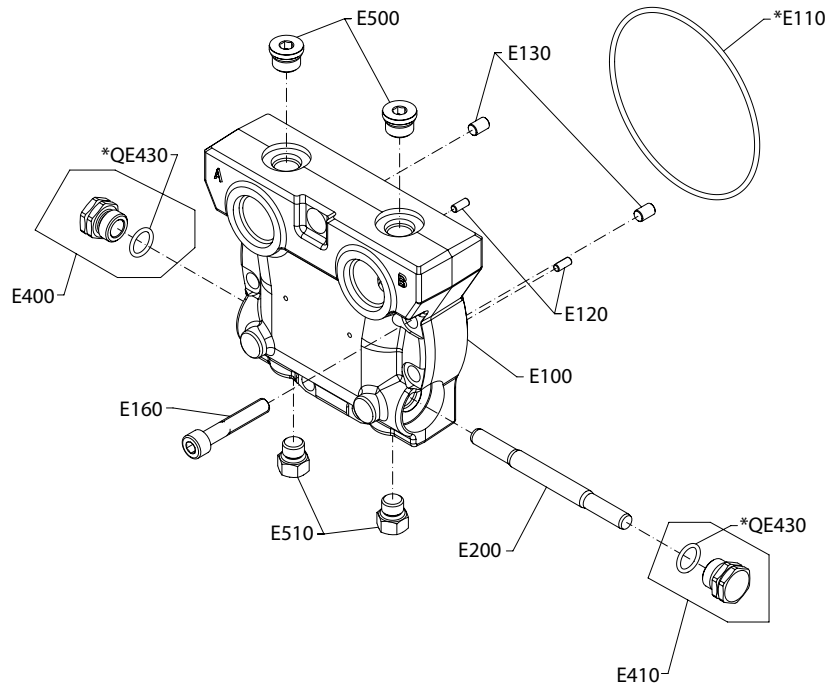
Order code: MD2 (metric)

E100	22-40		11288767	Endcap, metric	1
------	-------	--	----------	----------------	---

Porting type

MP1M porting type SF1, MF1

Parts configuration



P400792

* Included in overhaul seal kit Q210

This option is available in inch and metric configurations. Please order accordingly.

Porting type

Common parts

Item	Date Begin	Date End	Part Number	Part Name	Qty. per Model/Kit
E110	23-39		733295	O-ring	1
E120	23-39		9004800-1506	Straight pin	2
E130	23-39		9004800-2506	Straight pin	2
E160	23-39		376624	Screw	7
E200	23-39		11098213	Loop flushing spool, defeated	1
E400	23-39		1030932-SA	Plug assembly	1
E410	23-39		1030932-SA	Plug assembly	1
QE430	23-39		9004201-3700	O-ring	2
E510	23-39		9005100-4400	Plug assembly	2

Order code: SF1 (inch)

E100	23-39		11288768	Endcap, inch	1
E500	23-39		J9005110-5600	Plug assembly	2

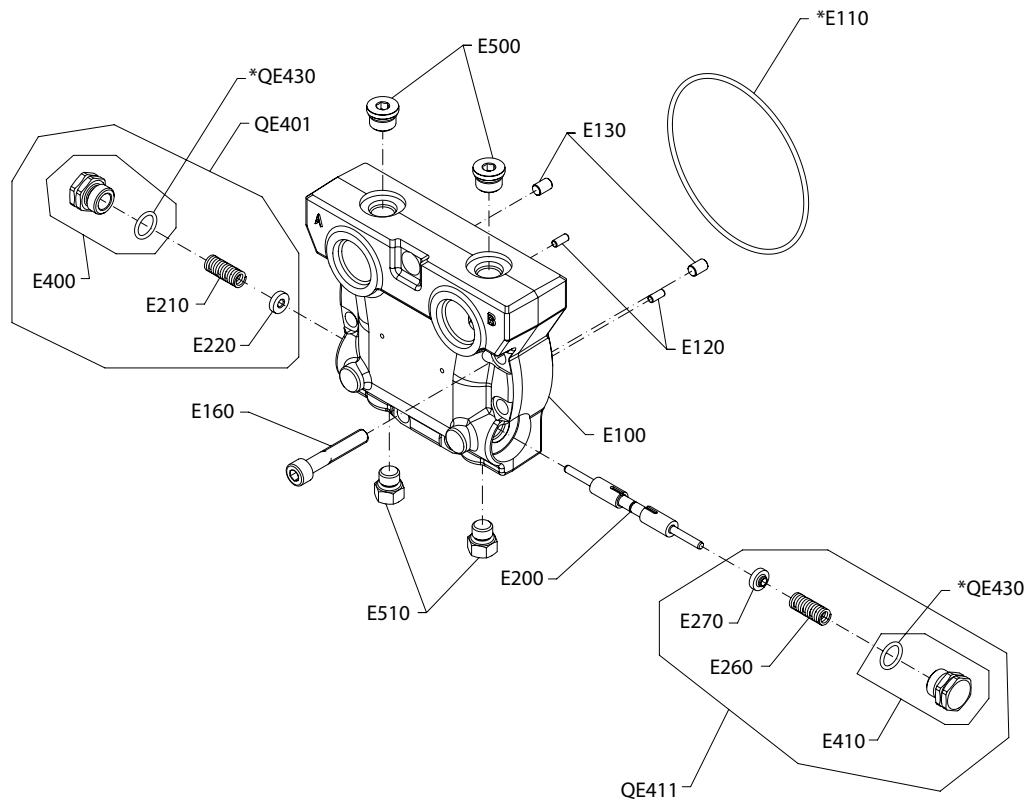
Order code: MF1 (metric)

E100	23-39		11288769	Endcap, metric	1
E500	23-39		5000438	Plug assembly	2

Porting type

MP1M porting type SG3, MG3

Parts configuration



P400790

* Included in overhaul seal kit Q210

This option is available in inch and metric configurations. Please order accordingly.

Porting type

Common parts

Item	Date Begin	Date End	Part Number	Part Name	Qty. per Model/Kit
E110	23-39		733295	O-ring	1
E120	23-39		9004800-1506	Straight pin	2
E130	23-39		9004800-2506	Straight pin	2
E160	23-39		376624	Screw	7
E200	23-39		11120528	Loop flushing spool	1
E210	23-39		11097840	Spring	1
E220	23-39		1745296	Spring guide	1
E260	23-39		11097840	Spring	1
E270	23-39		1745296	Spring guide	1
E400	23-39		1030932-SA	Plug assembly	1
E410	23-39		1030932-SA	Plug assembly	1
QE401	23-39		11231264	Loop flushing spool assembly	1
QE411	23-39		11231266	Loop flushing spool assembly	1
QE430	23-39		9004201-3700	O-ring	2
E510	23-39		9005100-4400	Plug assembly	2

Order code: SG3 (inch)

E100	23-39		11288768	Endcap, inch	1
E500	23-39		J9005110-5600	Plug assembly	2

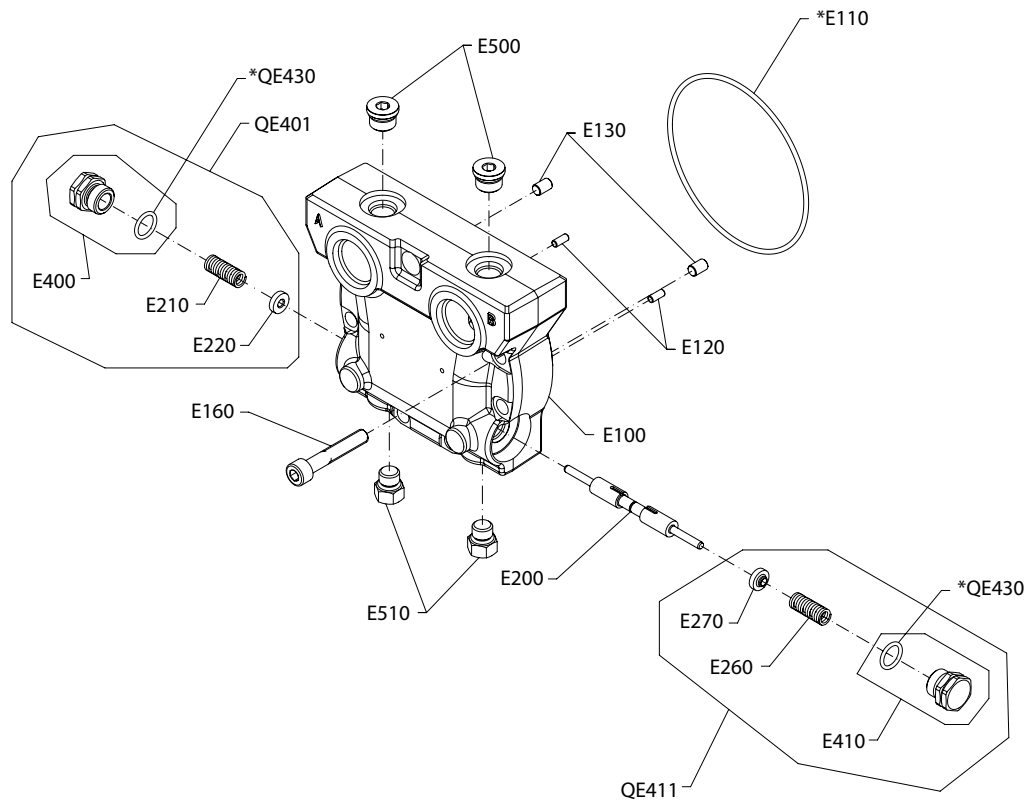
Order code: MG3 (metric)

E100	23-39		11288769	Endcap, metric	1
E500	23-39		5000438	Plug assembly	2

Porting type

MP1M porting type SG4, MG4

Parts configuration



P400790

* Included in overhaul seal kit Q210

This option is available in inch and metric configurations. Please order accordingly.

Porting type

Common parts

Item	Date Begin	Date End	Part Number	Part Name	Qty. per Model/Kit
E110	23-39		733295	O-ring	1
E120	23-39		9004800-1506	Straight pin	2
E130	23-39		9004800-2506	Straight pin	2
E160	23-39		376624	Screw	7
E200	23-39		11288788	Loop flushing spool	1
E210	23-39		11097840	Spring	1
E220	23-39		1745296	Spring guide	1
E260	23-39		11097840	Spring	1
E270	23-39		1745296	Spring guide	1
E400	23-39		1030932-SA	Plug assembly	1
E410	23-39		1030932-SA	Plug assembly	1
QE401	23-39		11231264	Loop flushing spool assembly	1
QE411	23-39		11231266	Loop flushing spool assembly	1
QE430	23-39		9004201-3700	O-ring	2
E510	23-39		9005100-4400	Plug assembly	2

Order code: SG4 (inch)

E100	23-39		11288768	Endcap, inch	1
E500	23-39		J9005110-5600	Plug assembly	2

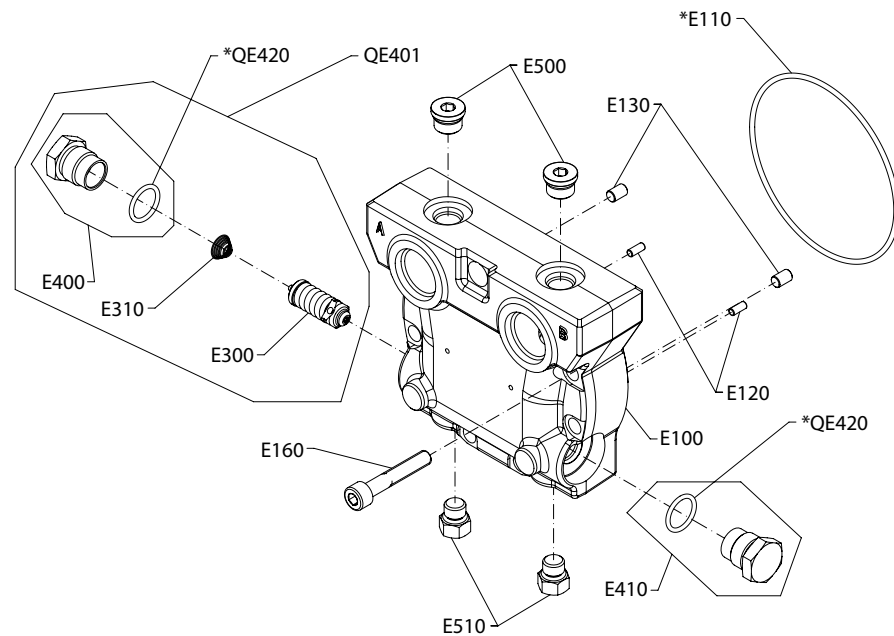
Order code: MG4 (metric)

E100	23-39		11288769	Endcap, metric	1
E500	23-39		5000438	Plug assembly	2

Porting type

MP1M porting type SH1, MH1

Parts configuration



P400793

* Included in overhaul seal kit Q210

This option is available in inch and metric configurations. Please order accordingly.

Porting type

Common parts

Item	Date Begin	Date End	Part Number	Part Name	Qty. per Model/Kit
E110	23-39		733295	O-ring	1
E120	23-39		9004800-1506	Straight pin	2
E130	23-39		9004800-2506	Straight pin	2
E160	23-39		376624	Screw	7
E300	23-39		3103375-0280	Valve assembly	1
E310	23-39		11192689	Compressed spring	1
E400	23-39		11229004	Plug assembly	1
E410	23-39		11229004	Plug assembly	1
QE401	23-39		11231269	Anti-cavitation valve assembly	1
QE420	23-39		9004201-5000	O-ring	2
E510	23-39		9005100-4400	Plug assembly	2

Order code: SH1 (inch)

E100	23-39		11288770	Endcap, inch	1
E500	23-39		J9005110-5600	Plug assembly	2

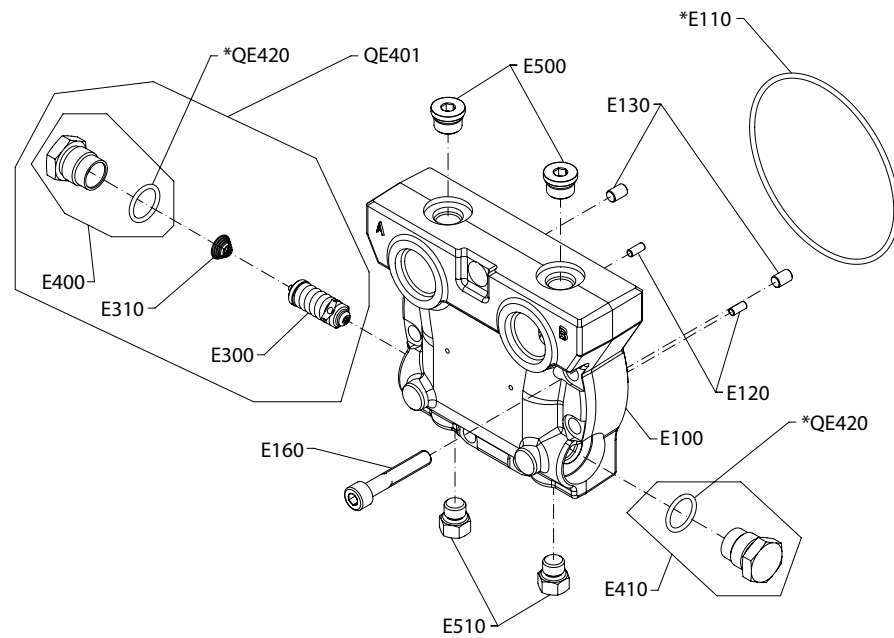
Order code: MH1 (metric)

E100	23-39		11288771	Endcap, metric	1
E500	23-39		5000438	Plug assembly	2

Porting type

MP1M porting type SH2, MH2

Parts configuration



P400793

* Included in overhaul seal kit Q210

This option is available in inch and metric configurations. Please order accordingly.

Porting type

Common parts

Item	Date Begin	Date End	Part Number	Part Name	Qty. per Model/Kit
E110	23-39		733295	O-ring	1
E120	23-39		9004800-1506	Straight pin	2
E130	23-39		9004800-2506	Straight pin	2
E160	23-39		376624	Screw	7
E300	23-39		3103375-0345	Valve assembly	1
E310	23-39		11192689	Compressed spring	1
E400	23-39		11229004	Plug assembly	1
E410	23-39		11229004	Plug assembly	1
QE401	23-39		11231270	Anti-cavitation valve assembly	1
QE420	23-39		9004201-5000	O-ring	2
E510	23-39		9005100-4400	Plug assembly	2

Order code: SH2 (inch)

E100	23-39		11288770	Endcap, inch	1
E500	23-39		J9005110-5600	Plug assembly	2

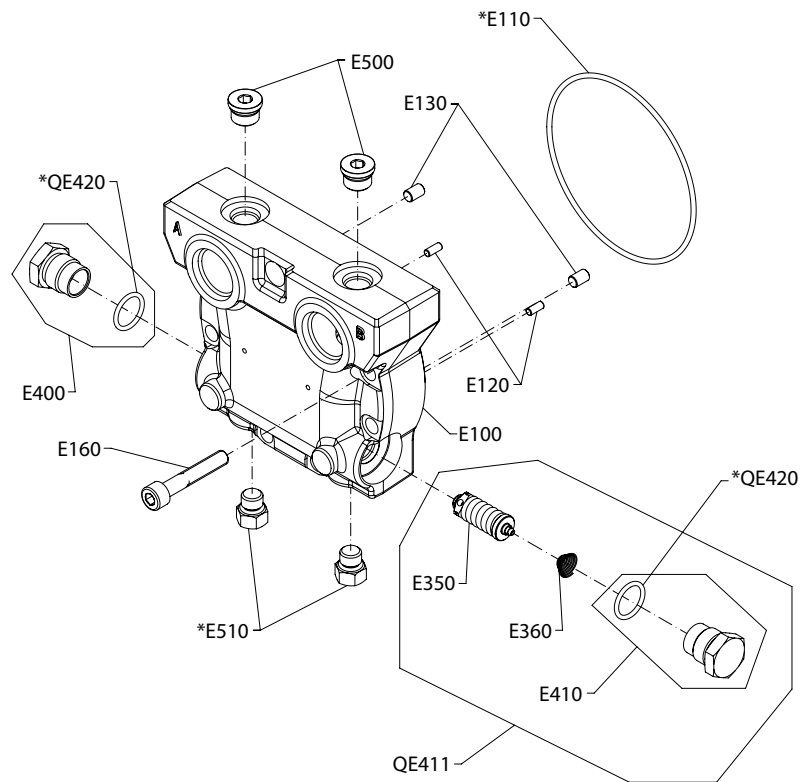
Order code: MH2 (metric)

E100	23-39		11288771	Endcap, metric	1
E500	23-39		5000438	Plug assembly	2

Porting type

MP1M porting type SJ1, MJ1

Parts configuration



P400791

* Included in overhaul seal kit Q210

This option is available in inch and metric configurations. Please order accordingly.

Porting type

Common parts

Item	Date Begin	Date End	Part Number	Part Name	Qty. per Model/Kit
E110	23-39		733295	O-ring	1
E120	23-39		9004800-1506	Straight pin	2
E130	23-39		9004800-2506	Straight pin	2
E160	23-39		376624	Screw	7
E350	23-39		3103375-0280	Valve assembly	1
E360	23-39		11192689	Compressed spring	1
E400	23-39		11229004	Plug assembly	1
E410	23-39		11229004	Plug assembly	1
QE411	23-39		11231269	Anti-cavitation valve assembly	1
QE420	23-39		9004201-5000	O-ring	2
E510	23-39		9005100-4400	Plug assembly	2

Order code: SJ1 (inch)

E100	23-39		11288770	Endcap, inch	1
E500	23-39		J9005110-5600	Plug assembly	2

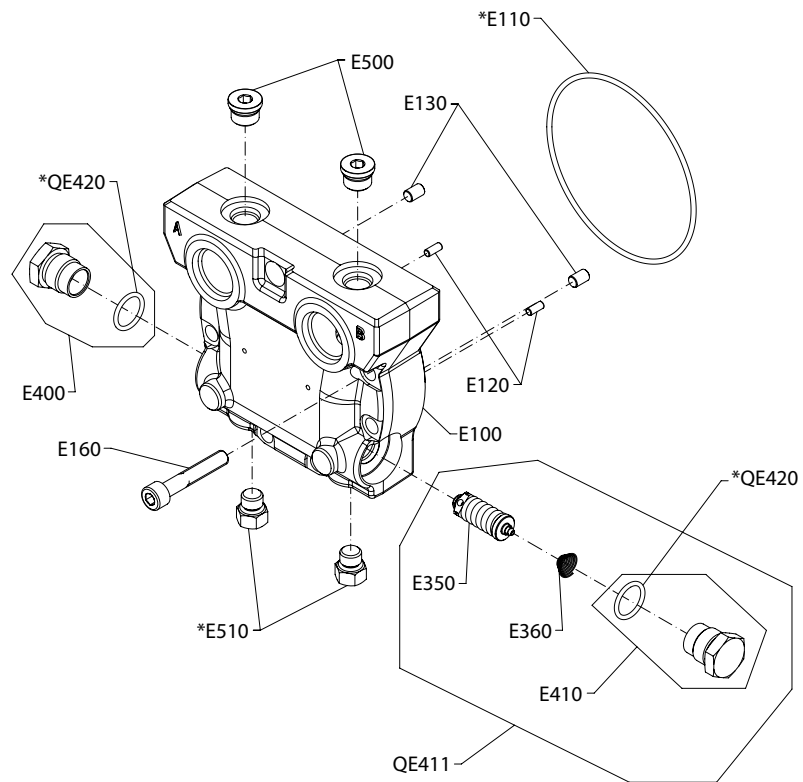
Order code: MJ1 (metric)

E100	23-39		11288771	Endcap, metric	1
E500	23-39		5000438	Plug assembly	2

Porting type

MP1M porting type SJ2, MJ2

Parts configuration



P400791

* Included in overhaul seal kit Q210

This option is available in inch and metric configurations. Please order accordingly.

Porting type

Common parts

Item	Date Begin	Date End	Part Number	Part Name	Qty. per Model/Kit
E110	23-39		733295	O-ring	1
E120	23-39		9004800-1506	Straight pin	2
E130	23-39		9004800-2506	Straight pin	2
E160	23-39		376624	Screw	7
E350	23-39		3103375-0345	Valve assembly	1
E360	23-39		11192689	Compressed spring	1
E400	23-39		11229004	Plug assembly	1
E410	23-39		11229004	Plug assembly	1
QE411	23-39		11231270	Anti-cavitation valve assembly	1
QE420	23-39		9004201-5000	O-ring	2
E510	23-39		9005100-4400	Plug assembly	2

Order code: SJ2 (inch)

E100	23-39		11288770	Endcap, inch	1
E500	23-39		J9005110-5600	Plug assembly	2

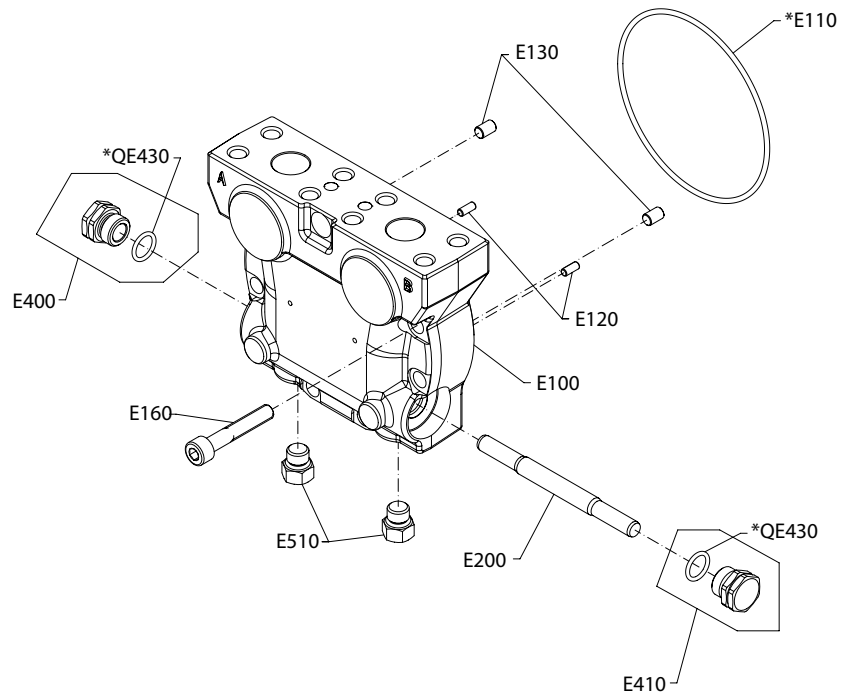
Order code: MJ2 (metric)

E100	23-39		11288771	Endcap, metric	1
E500	23-39		5000438	Plug assembly	2

Porting type

MP1M porting type FA1

Parts configuration



P400796

* Included in overhaul seal kit Q210

This option is available in inch and metric configurations. Please order accordingly.

Porting type

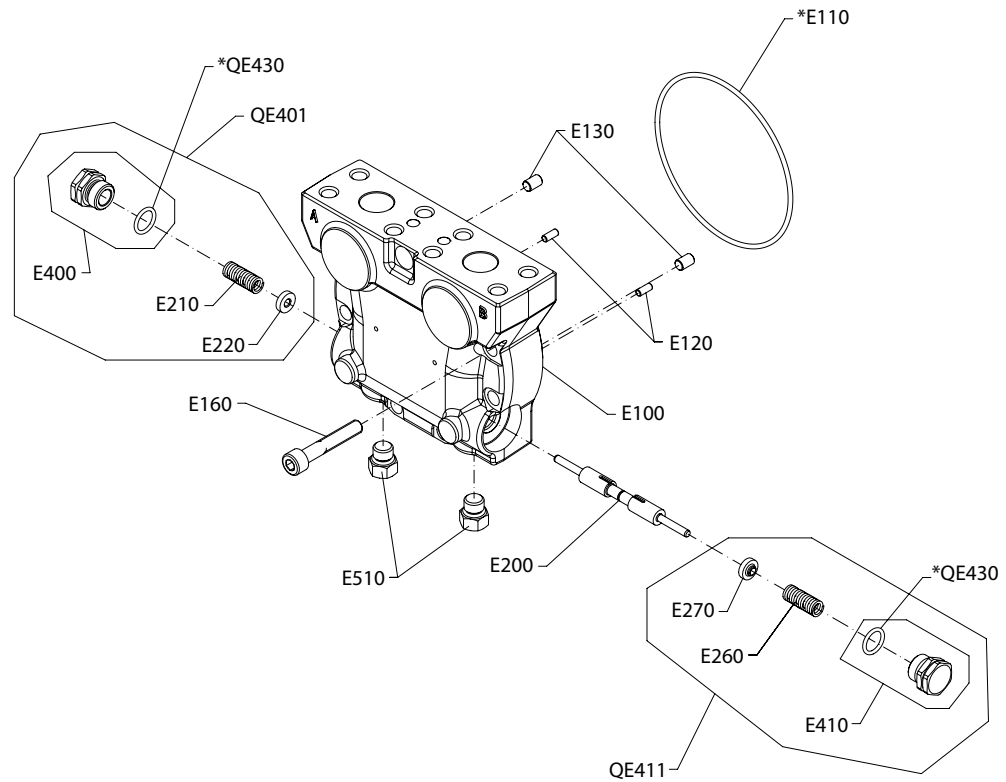
Order code: FA1

Item	Date Begin	Date End	Part Number	Part Name	Qty. per Model/Kit
E100	23-39		11288782	Endcap	1
E110	23-39		733295	O-ring	1
E120	23-39		9004800-1506	Straight pin	2
E130	23-39		9004800-2506	Straight pin	2
E160	23-39		376624	Screw	7
E200	23-39		11098213	Loop flushing spool, defeated	1
E400	23-39		1030932-SA	Plug assembly	1
E410	23-39		1030932-SA	Plug assembly	1
QE430	23-39		9004201-3700	O-ring	2
E510	23-39		9005100-4400	Plug assembly	2

Porting type

MP1M porting type FB3

Parts configuration



P400795

* Included in overhaul seal kit Q210

This option is available in inch and metric configurations. Please order accordingly.

Porting type

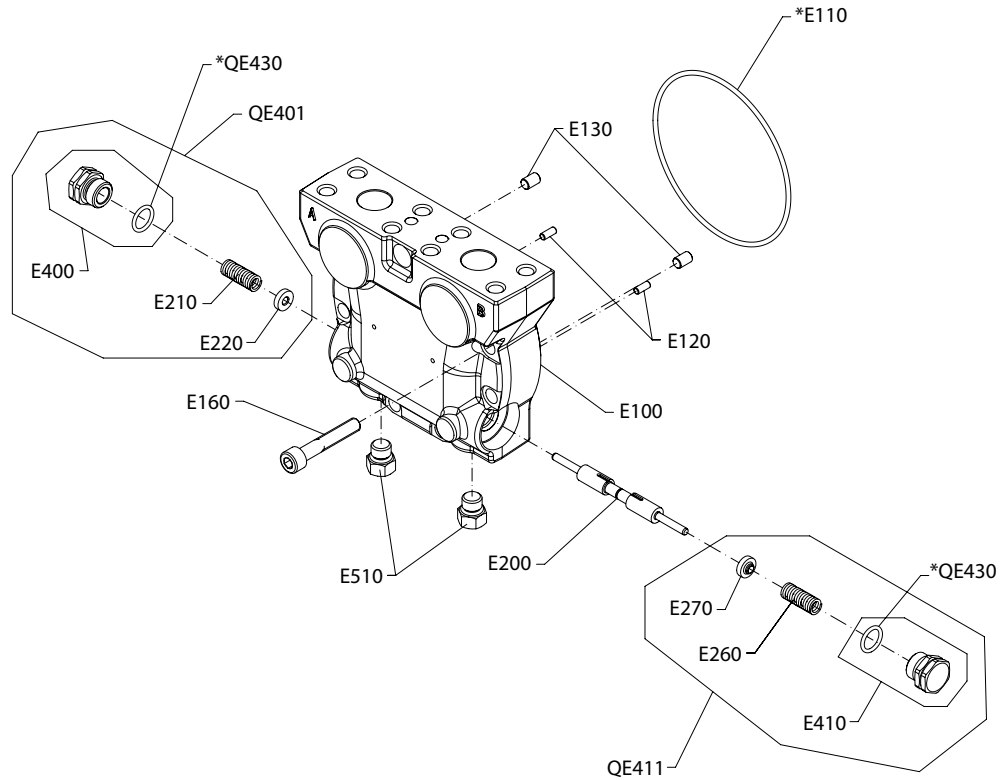
Order code: FB3

Item	Date Begin	Date End	Part Number	Part Name	Qty. per Model/Kit
E100	23-39		11288782	Endcap	1
E110	23-39		733295	O-ring	1
E120	23-39		9004800-1506	Straight pin	2
E130	23-39		9004800-2506	Straight pin	2
E160	23-39		376624	Screw	7
E200	23-39		11120528	Loop flushing spool	1
E210	23-39		11097840	Spring	1
E220	23-39		1745296	Spring guide	1
E260	23-39		11097840	Spring	1
E270	23-39		1745296	Spring guide	1
E400	23-39		1030932-SA	Plug assembly	1
E410	23-39		1030932-SA	Plug assembly	1
QE401	23-39		11231264	Loop flushing spool assembly	1
QE411	23-39		11231266	Loop flushing spool assembly	1
QE430	23-39		9004201-3700	O-ring	2
E510	23-39		9005100-4400	Plug assembly	2

Porting type

MP1M porting type FB4

Parts configuration



P400795

* Included in overhaul seal kit Q210

This option is available in inch and metric configurations. Please order accordingly.

Porting type

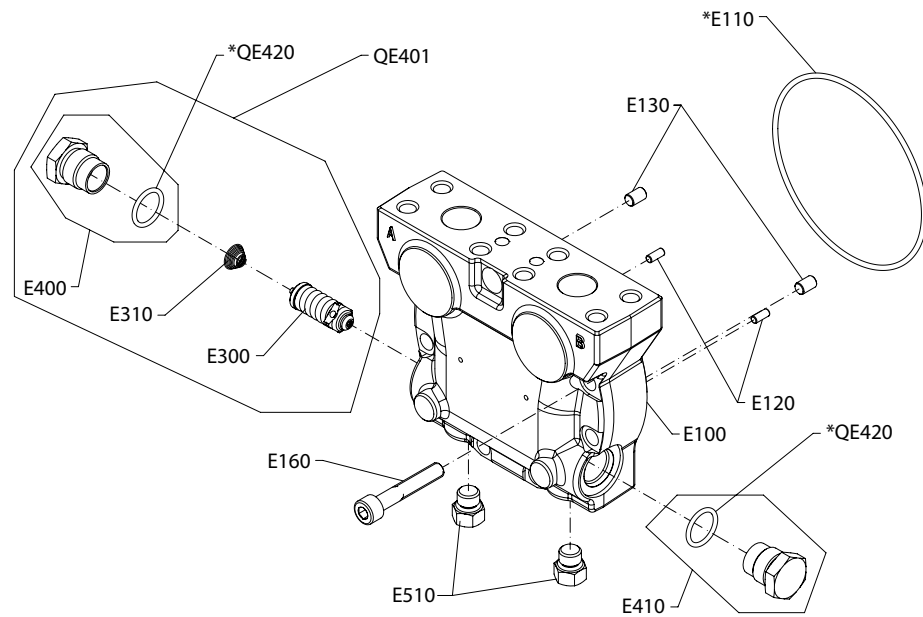
Order code: FB4

Item	Date Begin	Date End	Part Number	Part Name	Qty. per Model/Kit
E100	23-39		11288782	Endcap	1
E110	23-39		733295	O-ring	1
E120	23-39		9004800-1506	Straight pin	2
E130	23-39		9004800-2506	Straight pin	2
E160	23-39		376624	Screw	7
E200	23-39		11288788	Loop flushing spool	1
E210	23-39		11097840	Spring	1
E220	23-39		1745296	Spring guide	1
E260	23-39		11097840	Spring	1
E270	23-39		1745296	Spring guide	1
E400	23-39		1030932-SA	Plug assembly	1
E410	23-39		1030932-SA	Plug assembly	1
QE401	23-39		11231264	Loop flushing spool assembly	1
QE411	23-39		11231266	Loop flushing spool assembly	1
QE430	23-39		9004201-3700	O-ring	2
E510	23-39		9005100-4400	Plug assembly	2

Porting type

MP1M porting type FC1

Parts configuration



P400797

* Included in overhaul seal kit Q210

This option is available in inch and metric configurations. Please order accordingly.

Porting type

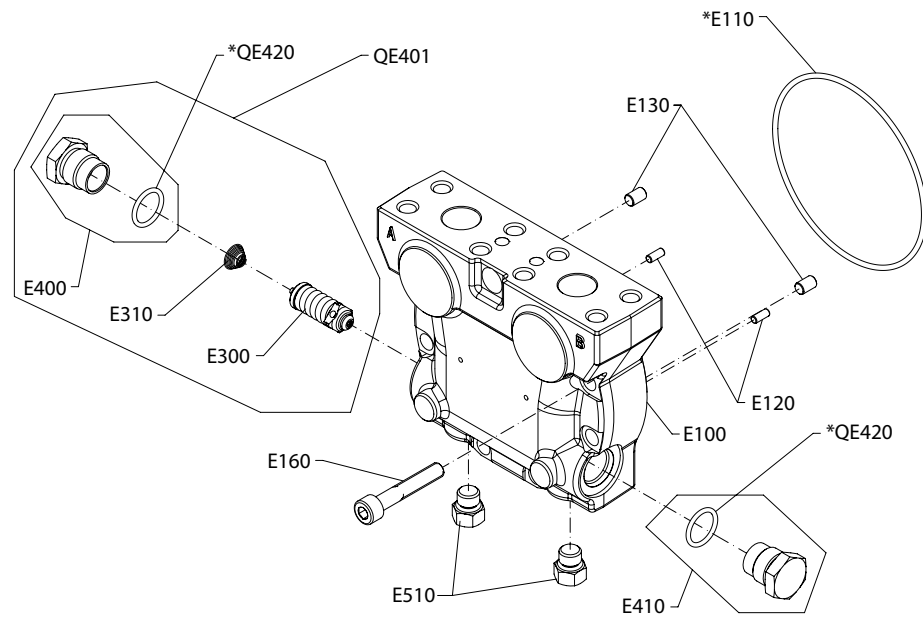
Order code: FC1

Item	Date Begin	Date End	Part Number	Part Name	Qty. per Model/Kit
E100	23-39		11288784	Endcap	1
E110	23-39		733295	O-ring	1
E120	23-39		9004800-1506	Straight pin	2
E130	23-39		9004800-2506	Straight pin	2
E160	23-39		376624	Screw	7
E300	23-39		3103375-0280	Valve assembly	1
E310	23-39		11192689	Compressed spring	1
E400	23-39		11229004	Plug assembly	1
E410	23-39		11229004	Plug assembly	1
QE401	23-39		1745296	Anti-cavitation valve assembly	1
QE420	23-39		9004201-5000	O-ring	2
E510	23-39		9005100-4400	Plug assembly	2

Porting type

MP1M porting type FC2

Parts configuration



P400797

* Included in overhaul seal kit Q210

This option is available in inch and metric configurations. Please order accordingly.

Porting type

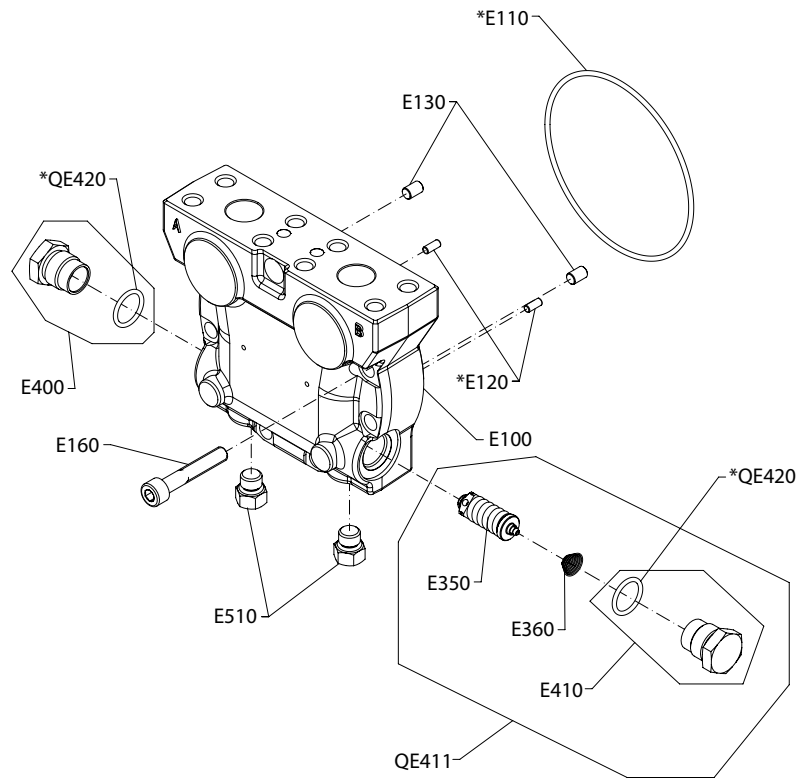
Order code: FC2

Item	Date Begin	Date End	Part Number	Part Name	Qty. per Model/Kit
E100	23-39		11288784	Endcap	1
E110	23-39		733295	O-ring	1
E120	23-39		9004800-1506	Straight pin	2
E130	23-39		9004800-2506	Straight pin	2
E160	23-39		376624	Screw	7
E300	23-39		3103375-0345	Valve assembly	1
E310	23-39		11192689	Compressed spring	1
E400	23-39		11229004	Plug assembly	1
E410	23-39		11229004	Plug assembly	1
QE401	23-39		11231269	Anti-cavitation valve assembly	1
QE420	23-39		9004201-5000	O-ring	2
E510	23-39		9005100-4400	Plug assembly	2

Porting type

MP1M porting type FD1

Parts configuration



P400794

* Included in overhaul seal kit Q210

This option is available in inch and metric configurations. Please order accordingly.

Porting type

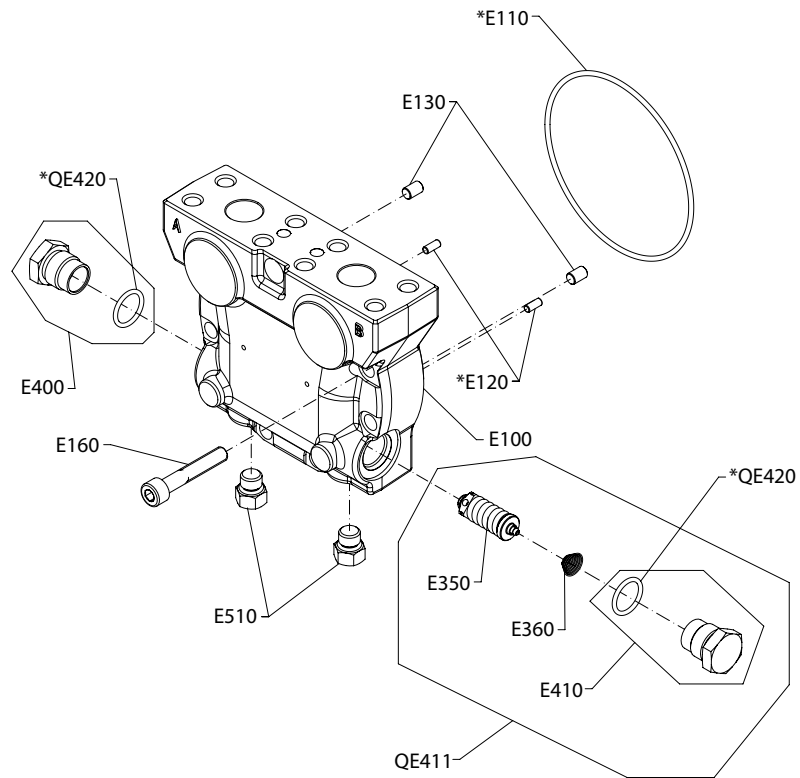
Order code: *FD1*

Item	Date Begin	Date End	Part Number	Part Name	Qty. per Model/Kit
E100	23-39		11288784	Endcap	1
E110	23-39		733295	O-ring	1
E120	23-39		9004800-1506	Straight pin	2
E130	23-39		9004800-2506	Straight pin	2
E160	23-39		376624	Screw	7
E350	23-39		3103375-0280	Valve assembly	1
E360	23-39		11192689	Compressed spring	1
E400	23-39		11229004	Plug assembly	1
E410	23-39		11229004	Plug assembly	1
QE411	23-39		11231269	Anti-cavitation valve assembly	1
QE420	23-39		9004201-5000	O-ring	2
E510	23-39		9005100-4400	Plug assembly	2

Porting type

MP1M porting type FD2

Parts configuration



P400794

* Included in overhaul seal kit Q210

This option is available in inch and metric configurations. Please order accordingly.

Porting type

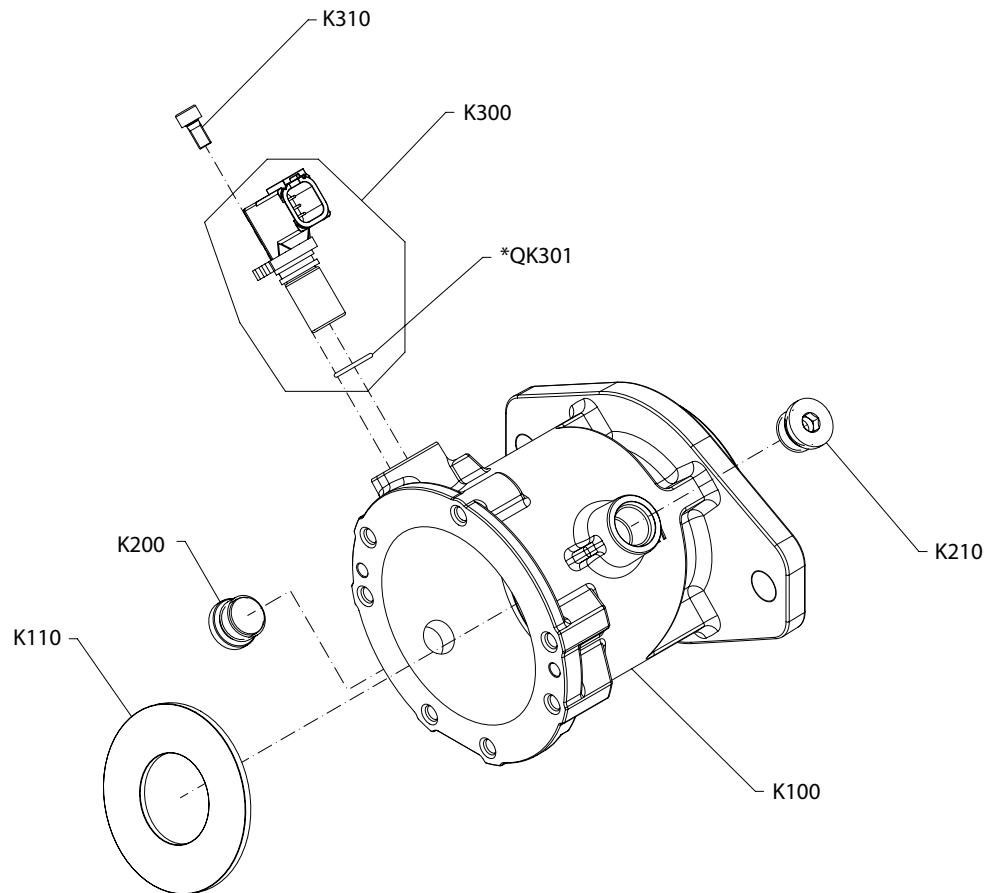
Order code: FD2

Item	Date Begin	Date End	Part Number	Part Name	Qty. per Model/Kit
E100	23-39		11288784	Endcap	1
E110	23-39		733295	O-ring	1
E120	23-39		9004800-1506	Straight pin	2
E130	23-39		9004800-2506	Straight pin	2
E160	23-39		376624	Screw	7
E350	23-39		3103375-0345	Valve assembly	1
E360	23-39		11192689	Compressed spring	1
E400	23-39		11229004	Plug assembly	1
E410	23-39		11229004	Plug assembly	1
QE411	23-39		11231269	Anti-cavitation valve assembly	1
QE420	23-39		9004201-5000	O-ring	2
E510	23-39		9005100-4400	Plug assembly	2

Housing

MP1M housing BA, BC, EA, EC

Parts configuration



P400770

* Included in overhaul seal kit Q210

This option is available in inch and metric configurations. Please order accordingly.

Housing

Order code: BA, EA

Item	Date Begin	Date End	Part Number	Part Name	Qty. per Model/Kit
K110	22-40		1733663	Thrust plate	1
K300	22-40		149055	Speed and temperature sensor 4.5 - 8V	1
K310	22-40		503674	Screw	1
QK301	22-40		11013397	O-ring	1

Order code: BC, EC

Item	Date Begin	Date End	Part Number	Part Name	Qty. per Model/Kit
K110	22-40		1733663	Thrust plate	1
K300	22-40		11232698	Speed and temperature sensor 7 - 32V	1
K310	22-40		503674	Screw	1
QK301	22-40		11013397	O-ring	1

Order code: BA, BC (inch)

K100	22-40		11288789	Housing, SAE-B, inch	1
K200	22-40		J9005110-7500	Plug assembly	1
K210	22-40		J9005110-7500	Plug assembly	1

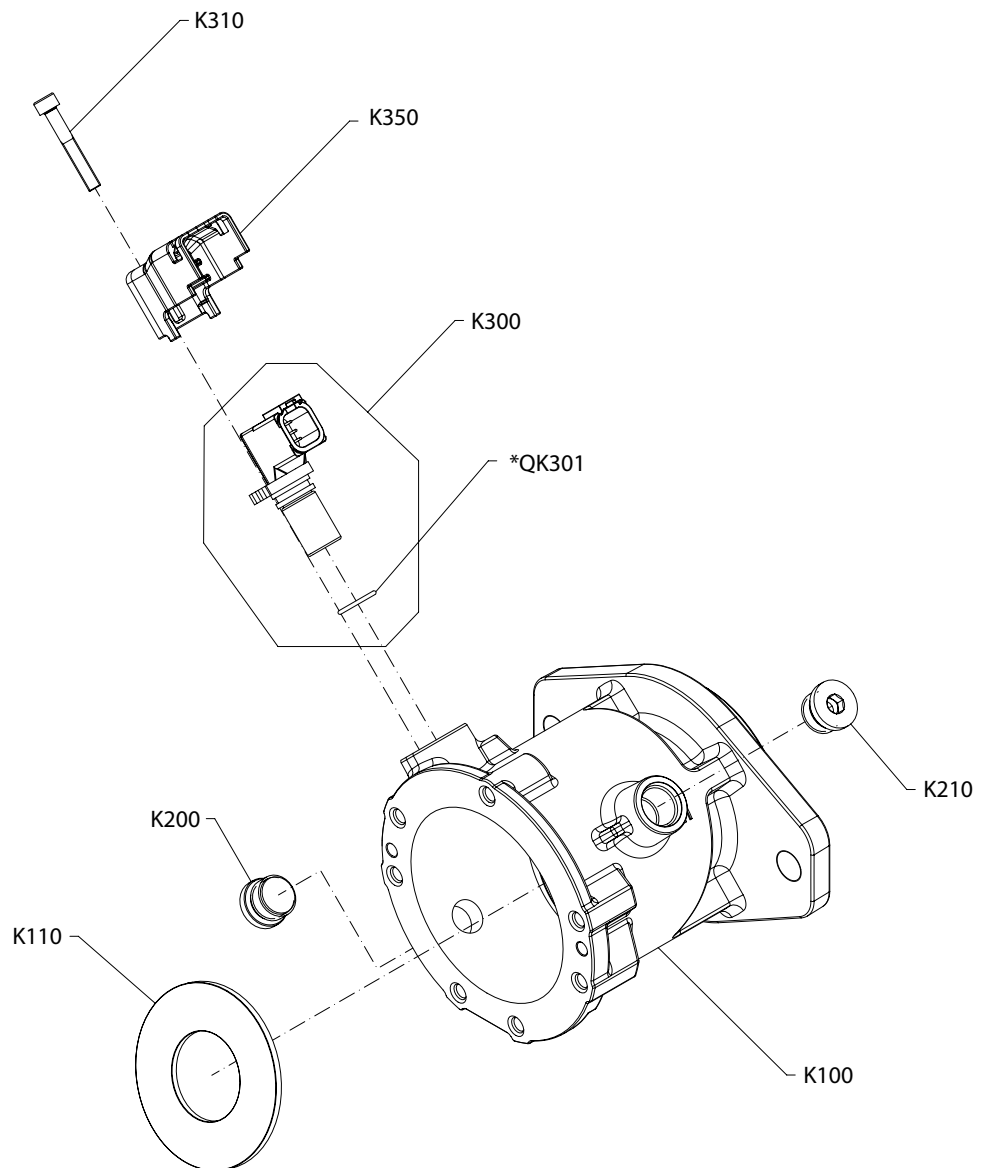
Order code: EA, EC (metric)

K100	22-40		11288790	Housing, SAE-B, metric	1
K200	22-40		5000570	Plug assembly	1
K210	22-40		5000570	Plug assembly	1

Housing

MP1M housing BB, BD, EB, ED

Parts configuration



P400771

* Included in overhaul seal kit Q210

This option is available in inch and metric configurations. Please order accordingly.

Housing

Order code: BB, EB

Item	Date Begin	Date End	Part Number	Part Name	Qty. per Model/Kit
K110	22-40		1733663	Thrust plate	1
K300	22-40		149055	Speed and temperature sensor 4.5 - 8V	1
K310	22-40		11158928	Screw	1
K350	22-40		11187156	Sensor cover	1
QK301	22-40		11013397	O-ring	1

Order code: BD, ED

Item	Date Begin	Date End	Part Number	Part Name	Qty. per Model/Kit
K110	22-40		1733663	Thrust plate	1
K300	22-40		11232698	Speed and temperature sensor 7 - 32V	1
K310	22-40		11158928	Screw	1
K350	22-40		11187156	Sensor cover	1
QK301	22-40		11013397	O-ring	1

Order code: BB, BD (inch)

K100	22-40		11288789	Housing, SAE-B, inch	1
K200	22-40		J9005110-7500	Plug assembly	1
K210	22-40		J9005110-7500	Plug assembly	1

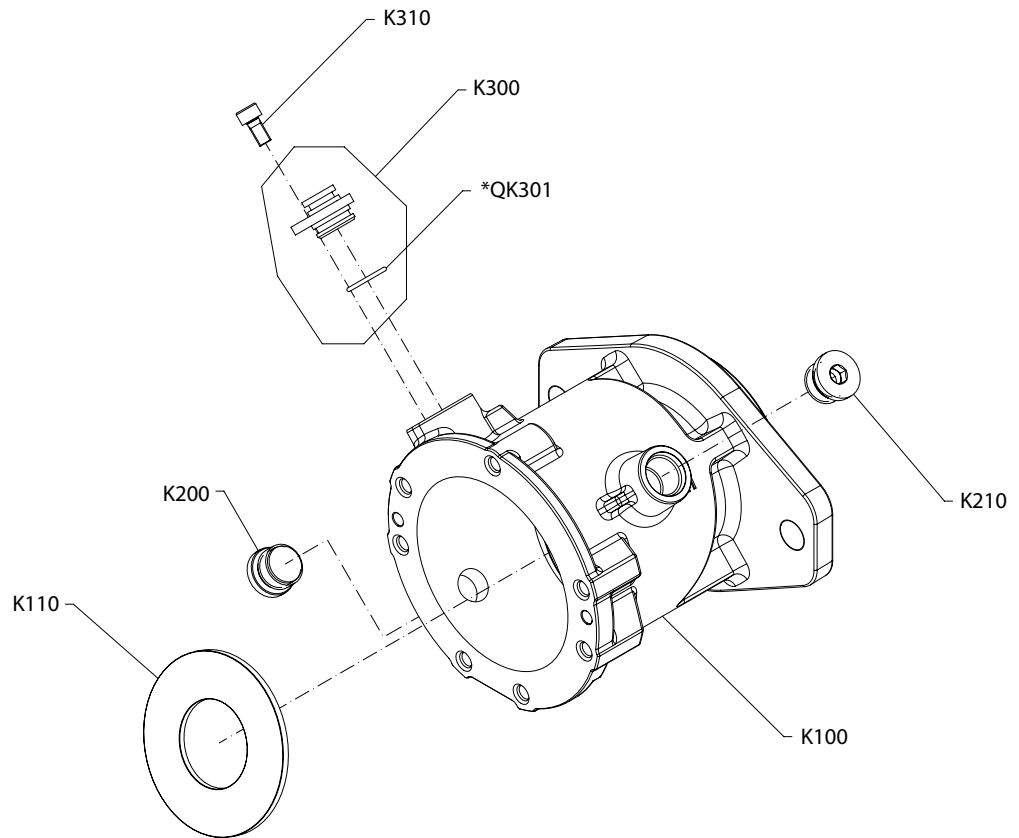
Order code: EB, ED (metric)

K100	22-40		11288790	Housing, SAE-B, metric	1
K200	22-40		5000570	Plug assembly	1
K210	22-40		5000570	Plug assembly	1

Housing

MP1M housing BN, EN

Parts configuration



P400772

* Included in overhaul seal kit Q210

This option is available in inch and metric configurations. Please order accordingly.

Housing

Common parts

Item	Date Begin	Date End	Part Number	Part Name	Qty. per Model/Kit
K110	22-40		1733663	Thrust plate	1
K300	22-40		11013290	Plug	1
K310	22-40		503674	Screw	1
QK301	22-40		11013397	O-ring	1

Order code: BN (inch)

K100	22-40		11288789	Housing, SAE-B, inch	1
K200	22-40		J9005110-7500	Plug assembly	1
K210	22-40		J9005110-7500	Plug assembly	1

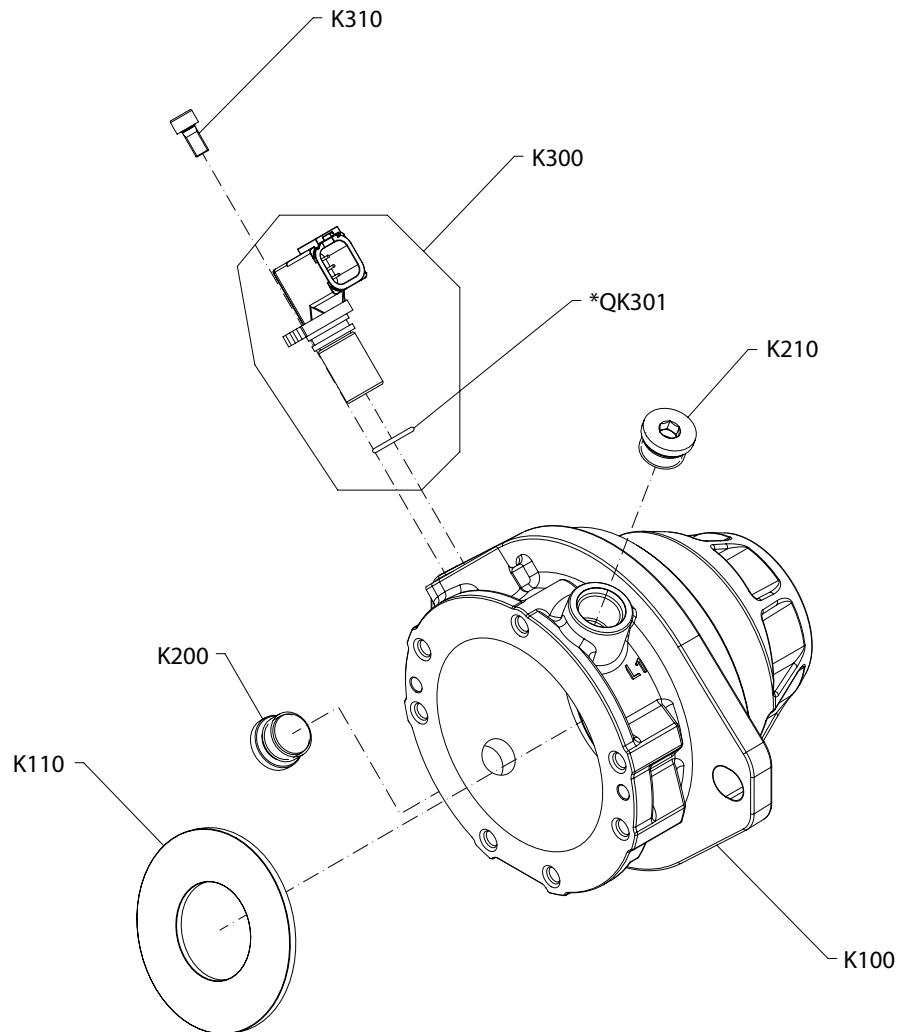
Order code: EN (metric)

K100	22-40		11288790	Housing, SAE-B, metric	1
K200	22-40		5000570	Plug assembly	1
K210	22-40		5000570	Plug assembly	1

Housing

MP1M housing CA, CC, FA, FC

Parts configuration



P400773

* Included in overhaul seal kit Q210

This option is available in inch and metric configurations. Please order accordingly.

Housing

Order code: CA, FA

Item	Date Begin	Date End	Part Number	Part Name	Qty. per Model/Kit
K110	22-40		1733663	Thrust plate	1
K300	22-40		149055	Speed and temperature sensor 4.5 - 8V	1
K310	22-40		503674	Screw	1
QK301	22-40		11013397	O-ring	1

Order code: CC, FC

Item	Date Begin	Date End	Part Number	Part Name	Qty. per Model/Kit
K110	22-40		1733663	Thrust plate	1
K300	22-40		11232698	Speed and temperature sensor 7 - 32V	1
K310	22-40		503674	Screw	1
QK301	22-40		11013397	O-ring	1

Order code: CA, CC (inch)

K100	22-40		11288802	Housing, cartridge, inch	1
K200	22-40		J9005110-7500	Plug assembly	1
K210	22-40		J9005110-7500	Plug assembly	1

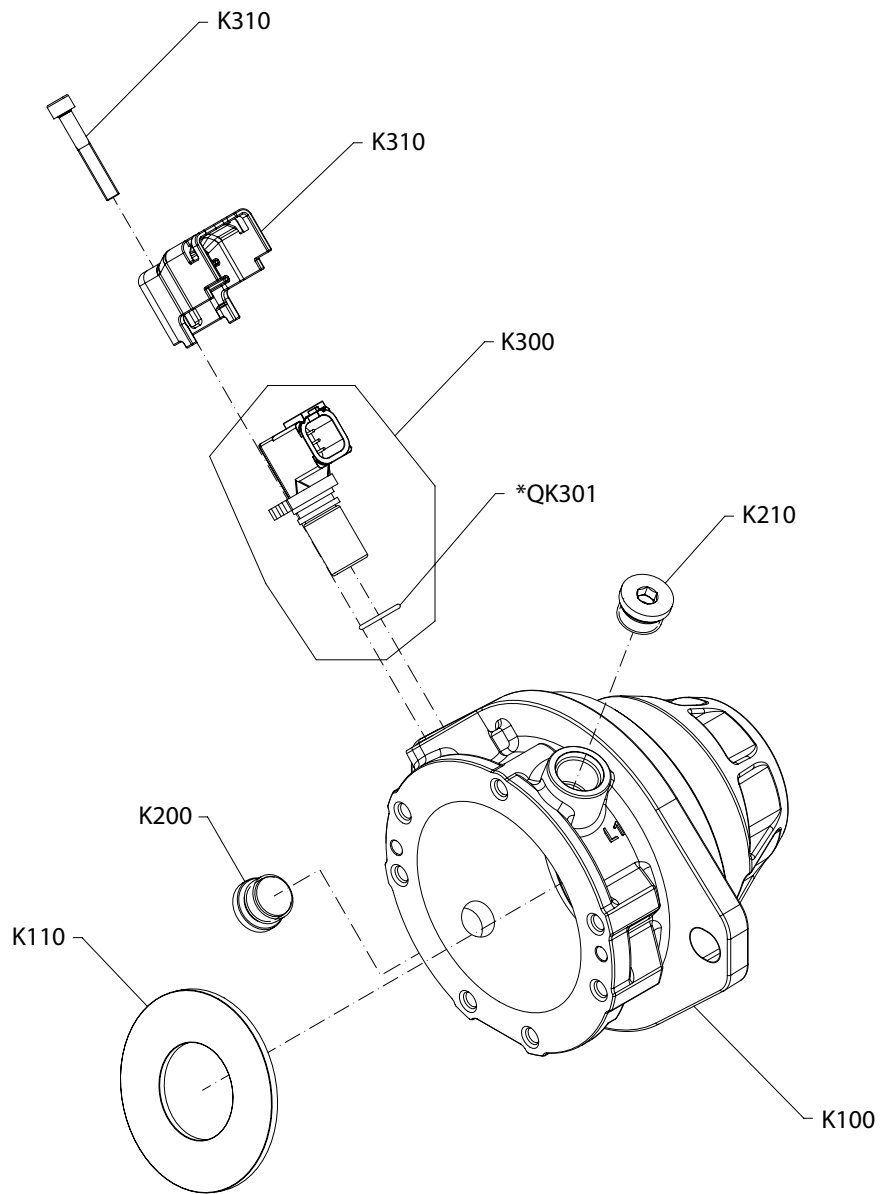
Order code: FA, FC (metric)

K100	22-40		11288803	Housing, cartridge, metric	1
K200	22-40		5000570	Plug assembly	1
K210	22-40		5000570	Plug assembly	1

Housing

MP1M housing CB, CD, FB, FD

Parts configuration



P400774

* Included in overhaul seal kit Q210

This option is available in inch and metric configurations. Please order accordingly.

Housing

Order code: CB, FB

Item	Date Begin	Date End	Part Number	Part Name	Qty. per Model/Kit
K110	22-40		1733663	Thrust plate	1
K300	22-40		149055	Speed and temperature sensor 4.5 - 8V	1
K310	22-40		11158928	Screw	1
K350	22-40		11187156	Sensor cover	1
QK301	22-40		11013397	O-ring	1

Order code: CD, FD

Item	Date Begin	Date End	Part Number	Part Name	Qty. per Model/Kit
K110	22-40		1733663	Thrust plate	1
K300	22-40		11232698	Speed and temperature sensor 7 - 32V	1
K310	22-40		11158928	Screw	1
K350	22-40		11187156	Sensor cover	1
QK301	22-40		11013397	O-ring	1

Order code: CB, CD (inch)

K100	22-40		11288802	Housing, cartridge, inch	1
K200	22-40		J9005110-7500	Plug assembly	1
K210	22-40		J9005110-7500	Plug assembly	1

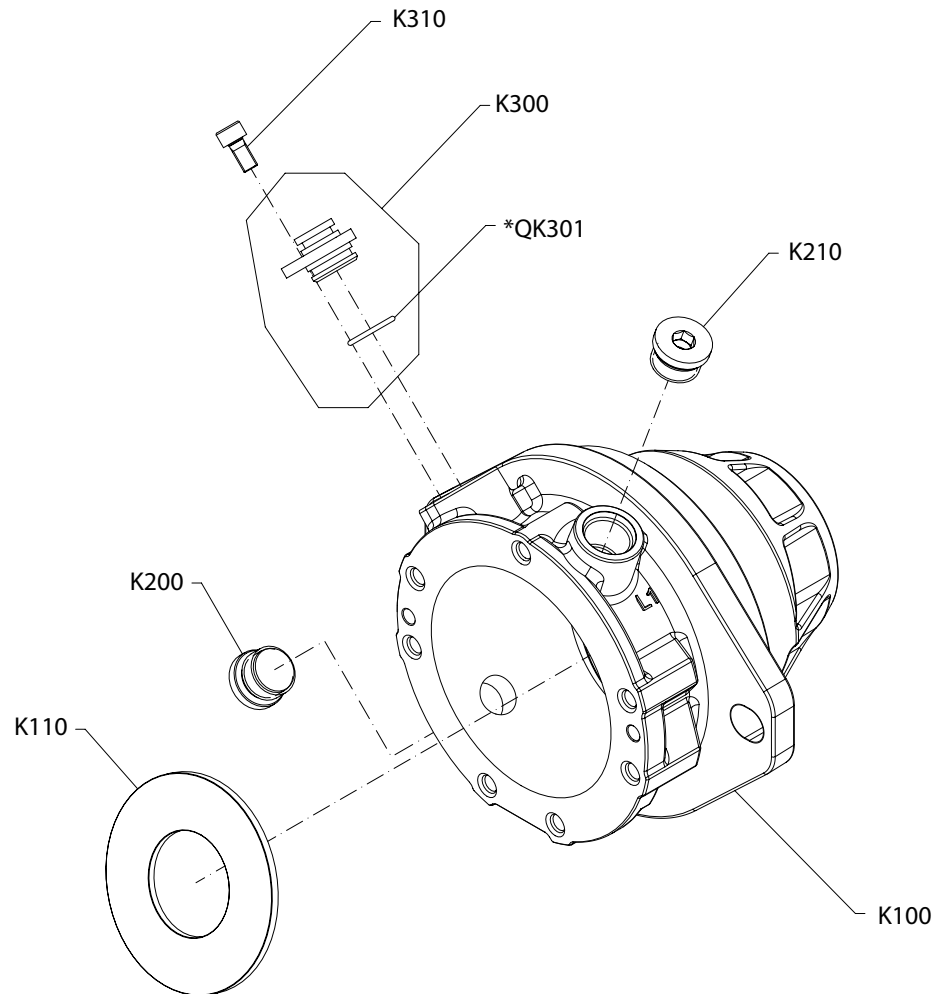
Order code FB, FD (metric)

K100	22-40		11288803	Housing, cartridge, metric	1
K200	22-40		5000570	Plug assembly	1
K210	22-40		5000570	Plug assembly	1

Housing

MP1M housing CN, FN

Parts configuration



P400775

* Included in overhaul seal kit Q210

This option is available in inch and metric configurations. Please order accordingly.

Housing

Common parts

Item	Date Begin	Date End	Part Number	Part Name	Qty. per Model/Kit
K110	22-40		1733663	Thrust plate	1
K300	22-40		11013290	Plug	1
K310	22-40		503674	Screw	1
QK301	22-40		11013397	O-ring	1

Order code: CN (inch)

K100	22-40		11288802	Housing, cartridge, inch	1
K200	22-40		J9005110-7500	Plug assembly	1
K210	22-40		J9005110-7500	Plug assembly	1

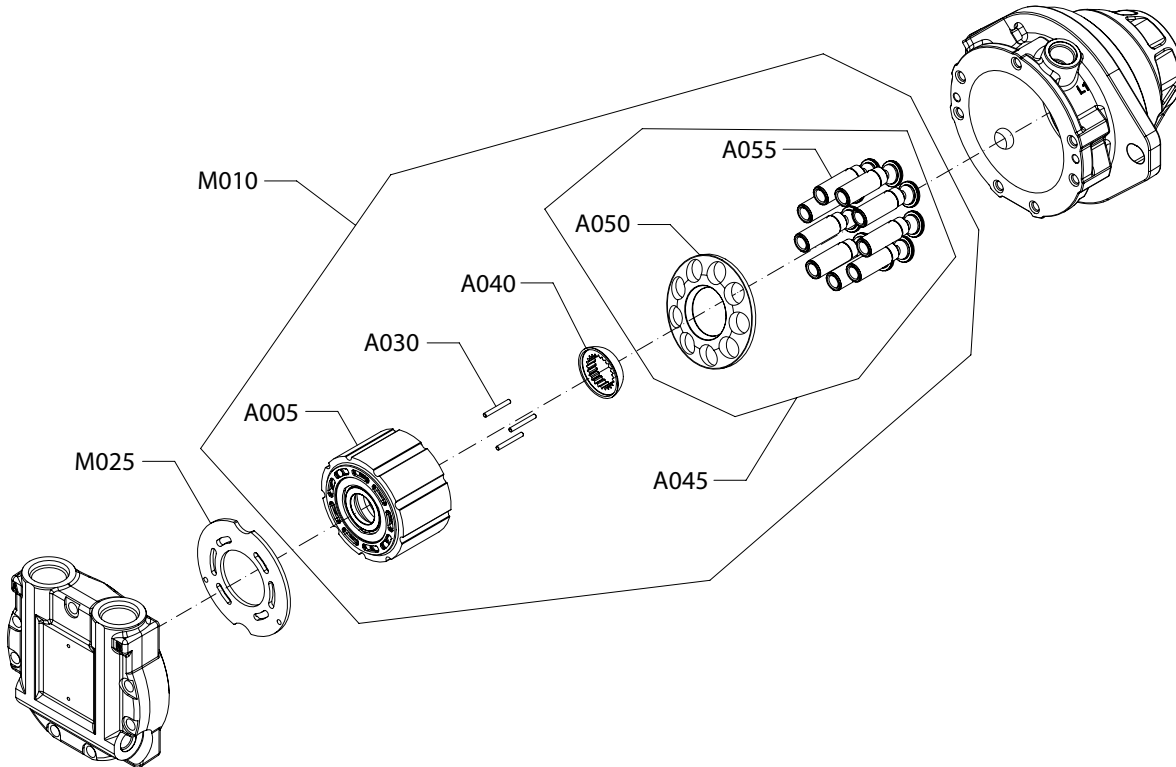
Order code: FN (metric)

K100	22-40		11288803	Housing, cartridge, metric	1
K200	22-40		5000570	Plug assembly	1
K210	22-40		5000570	Plug assembly	1

Displacement

MP1M displacement 28A, 32A

Parts configuration



P400776

Generic housing and endcap used to show part location only.

Displacement

Order code: 28A

Item	Date Begin	Date End	Part Number	Part Name	Qty. per Model/Kit
A005	22-40		11223883	Cylinder block assembly	1
A030	22-40		11152764	Slipper hold down pin	3
A040	22-40		11151154	Ball guide	1
A045	22-40		11291942	Piston retainer assembly	1
A050	22-40		11151155	Slipper retainer	1
A055	22-40		11291931	Piston assembly	9
M010	22-40		11291943	Cylinder block kit	1
M025	22-40		11288801	Valve plate	1
Q210	22-40		11300867	Overhaul seal kit	1

Order code: 32A

A005	22-40		11223889	Cylinder block assembly	1
A030	22-40		11152764	Slipper hold down pin	3
A040	22-40		11151154	Ball guide	1
A045	22-40		11291945	Piston retainer assembly	1
A050	22-40		11151155	Slipper retainer	1
A055	22-40		11291946	Piston assembly	9
M010	22-40		11291944	Cylinder block kit	1
M025	22-40		11288801	Valve plate	1
Q210	22-40		11300867	Overhaul seal kit	1

Overhaul seal kit

MP1M 28/32 Seal Kit

Seal kit

Item	Date Begin	Date End	Part Number	Part Name	Qty. per Model/Kit
D130	22-40		11165487	Lip seal	1
D200	22-40		11288763	Dust seal	1
E110	22-40		733295	O-ring	1
QK301	22-40		11013397	O-ring	1
QE420	22-40		9004201-5000	O-ring	2
QE430	22-40		9004201-3700	O-ring	2

Products we offer:

- Cartridge valves
- DCV directional control valves
- Electric converters
- Electric machines
- Electric motors
- Gear motors
- Gear pumps
- Hydraulic integrated circuits (HICs)
- Hydrostatic motors
- Hydrostatic pumps
- Orbital motors
- PLUS+1® controllers
- PLUS+1® displays
- PLUS+1® joysticks and pedals
- PLUS+1® operator interfaces
- PLUS+1® sensors
- PLUS+1® software
- PLUS+1® software services, support and training
- Position controls and sensors
- PVG proportional valves
- Steering components and systems
- Telematics

Danfoss Power Solutions is a global manufacturer and supplier of high-quality hydraulic and electric components. We specialize in providing state-of-the-art technology and solutions that excel in the harsh operating conditions of the mobile off-highway market as well as the marine sector. Building on our extensive applications expertise, we work closely with you to ensure exceptional performance for a broad range of applications. We help you and other customers around the world speed up system development, reduce costs and bring vehicles and vessels to market faster.

Danfoss Power Solutions – your strongest partner in mobile hydraulics and mobile electrification.

Go to www.danfoss.com for further product information.

We offer you expert worldwide support for ensuring the best possible solutions for outstanding performance. And with an extensive network of Global Service Partners, we also provide you with comprehensive global service for all of our components.

Local address:

Hydro-Gear

www.hydro-gear.com

Daikin-Sauer-Danfoss

www.daikin-sauer-danfoss.com

**Danfoss
Power Solutions (US) Company**
2800 East 13th Street
Ames, IA 50010, USA
Phone: +1 515 239 6000

**Danfoss
Power Solutions GmbH & Co. OHG**
Krokamp 35
D-24539 Neumünster, Germany
Phone: +49 4321 871 0

**Danfoss
Power Solutions ApS**
Nordborgvej 81
DK-6430 Nordborg, Denmark
Phone: +45 7488 2222

**Danfoss
Power Solutions Trading
(Shanghai) Co., Ltd.**
Building #22, No. 1000 Jin Hai Rd
Jin Qiao, Pudong New District
Shanghai, China 201206
Phone: +86 21 2080 6201

Danfoss can accept no responsibility for possible errors in catalogues, brochures and other printed material. Danfoss reserves the right to alter its products without notice. This also applies to products already on order provided that such alterations can be made without subsequent changes being necessary in specifications already agreed. All trademarks in this material are property of the respective companies. Danfoss and the Danfoss logotype are trademarks of Danfoss A/S. All rights reserved.