



REFRIGERATION AND
AIR CONDITIONING

INSTRUCTIONS

Display EKA 165



084R9983



R18KT202

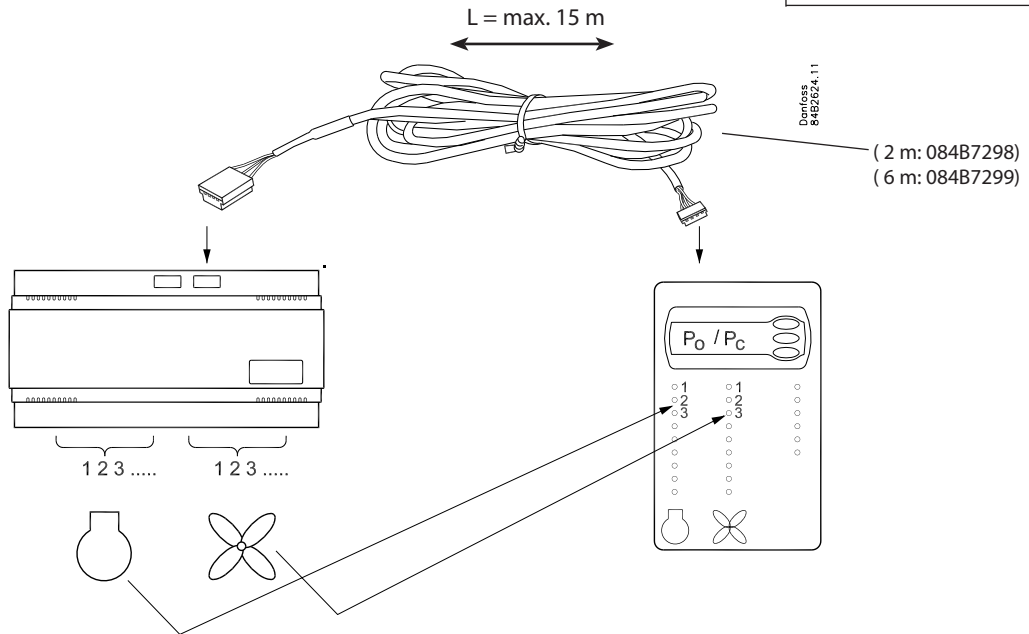
084R9983

Principle / Connection

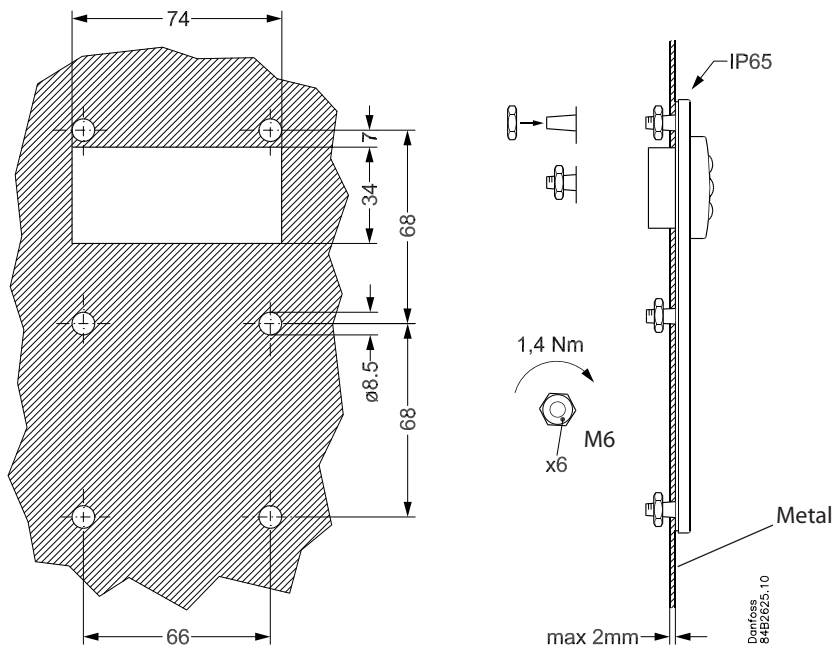
$t_{amb} = 0 - +55^{\circ}\text{C}$
Non condensing



084R9983



Mounting



Operation: See controller

